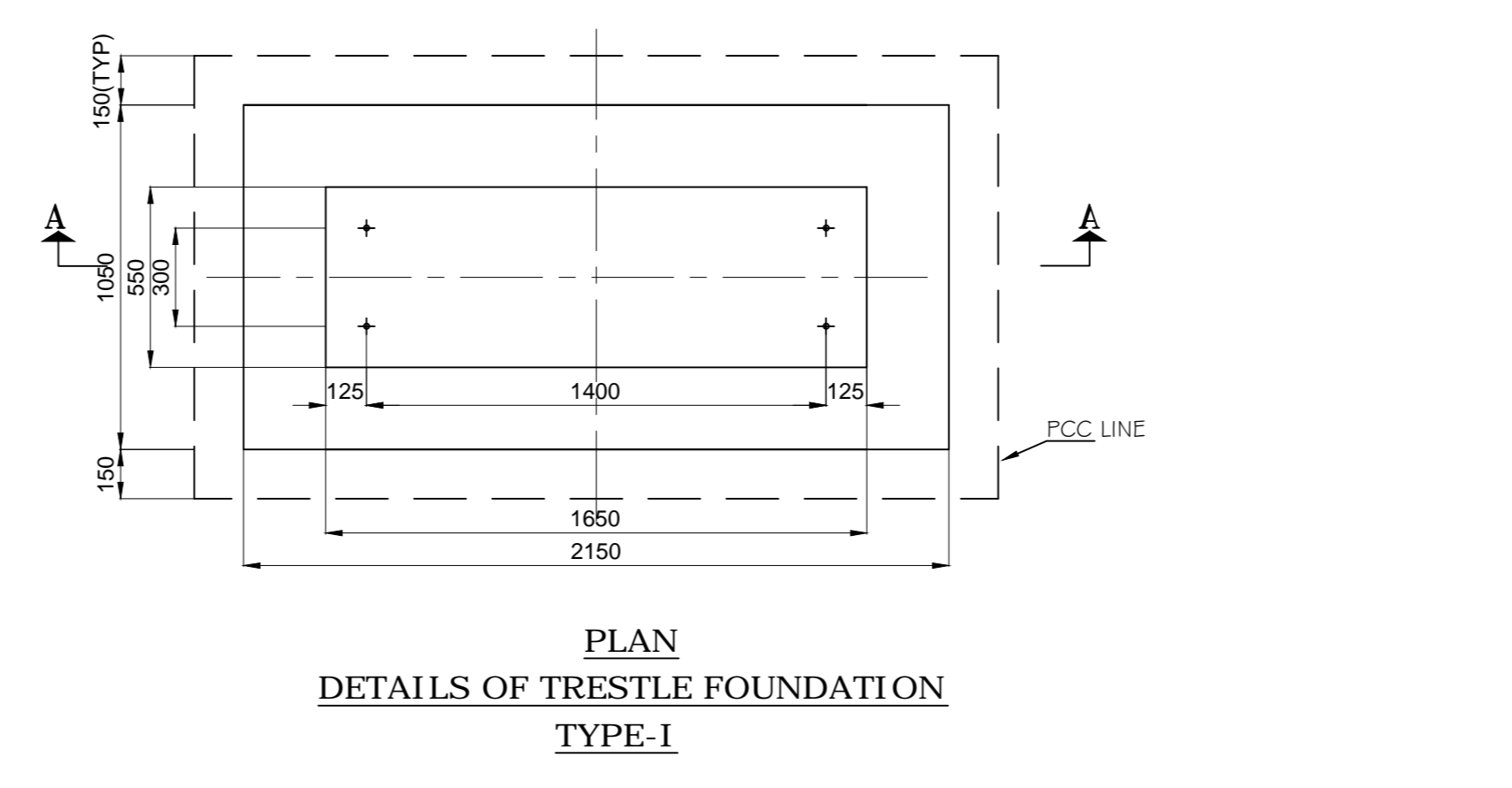
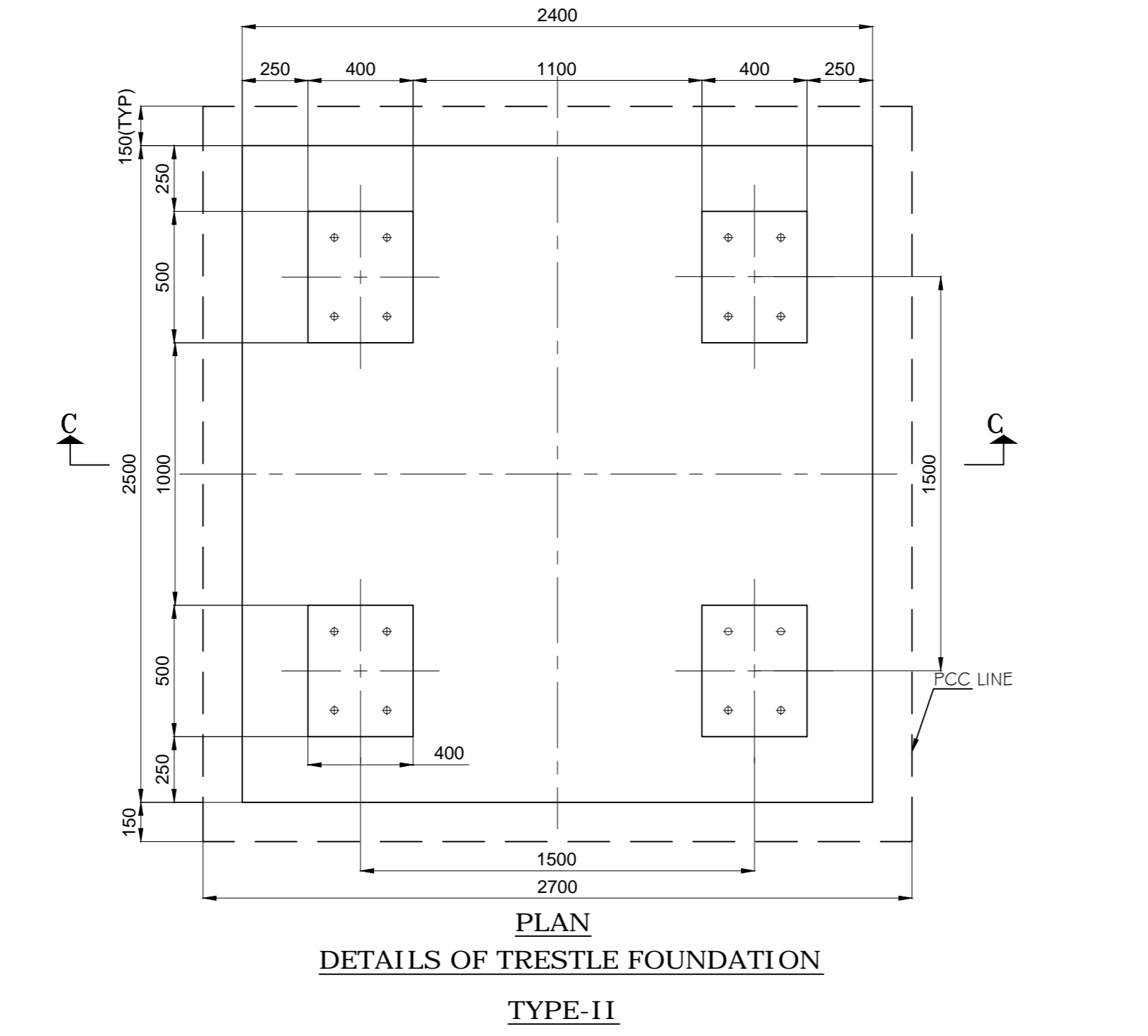
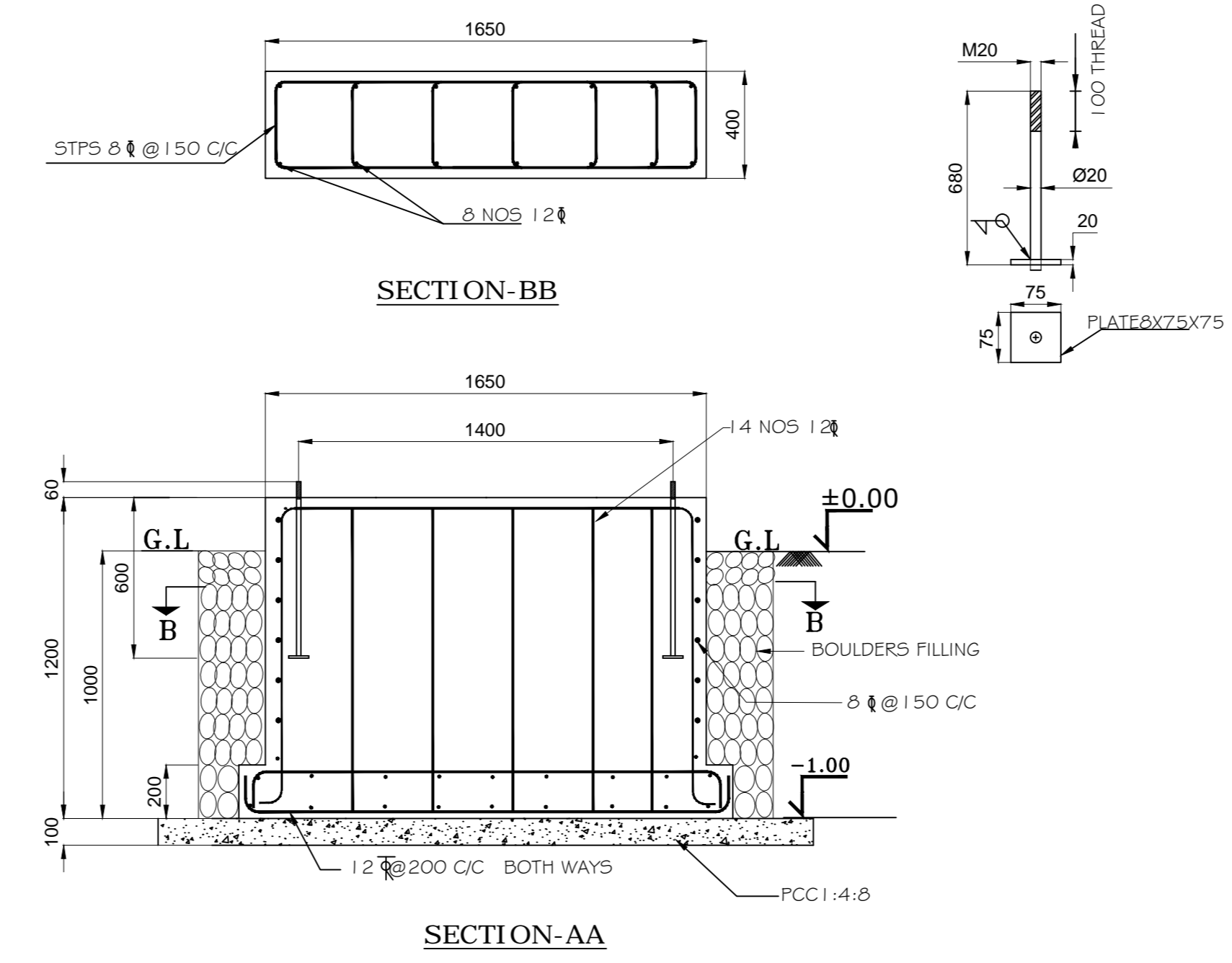
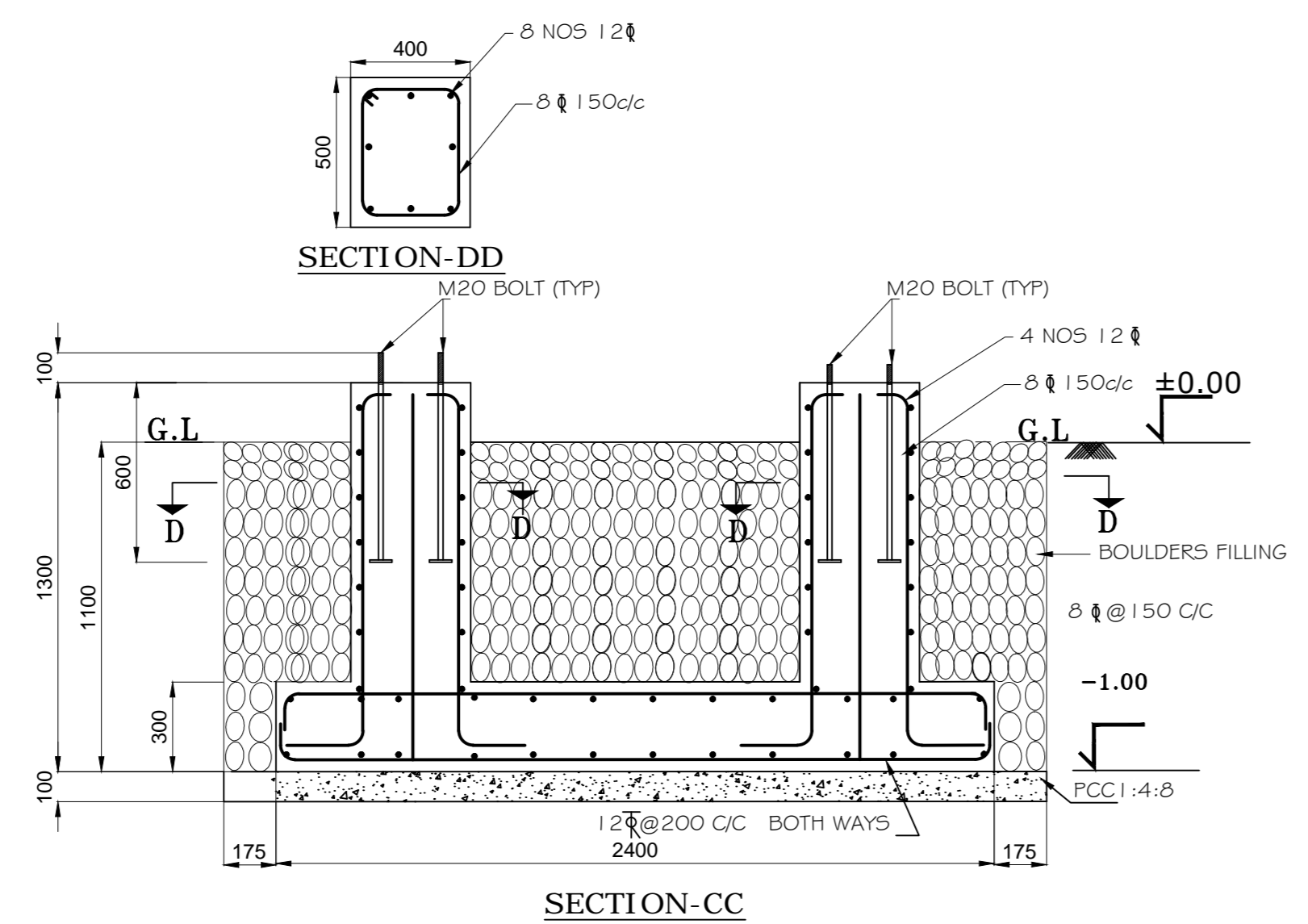


PLAN SHOWING THE PROPOSED ROUTING OF PRODUCER GAS LINE

SL.NO.	NAME OF BUILDINGS
50.	TUBULAR SHOP
66.	FBTR (LIGHT MACHINE SHOP)
67.	WRI WEST GATE + SECURITY
68.	WRI ADMIN BLDG
69.	WRI LABORATORY
70.	WRI CANTEN
71.	WRI GARAGE
72.	WRI WORK SHOP
73.	WRI EAST GATE
74.	FOSSIL ENERGY DEVELOPMENT COMPLEX
83.	COMPRESSOR HOUSE (ADOL)
84.	LASHING SHED
107.	TUBULAR PRODUCTION SHOP
108.	INTEGRATED PRODUCTION SHOP
109.	ADVANCED TECHNOLOGY PRODUCT SHOP
110.	SECURITY MAIN GATE IN UNIT II
111.	CANTEN-1 IN UNIT II
112.	COMPRESSOR BLDG IN UNIT II
113.	D/G SET BLDG IN UNIT II
114.	SUB STATION BLDG IN UNIT II
115.	OCCUPATIONAL HEALTH CENTRE BLDG IN UNIT II
116.	FIRE STATION BLDG IN UNIT II
117.	SYSTEM BENDER BLOCK
118.	COMMON STORES BLDG IN UNIT II
119.	CANTEN-2 BLDG IN UNIT II



- NOTES:-**
1. ALL DIMENSIONS ARE IN 'MM' AND LEVELS ARE 'M'
  2. CONCRETE GRADE M20
  3. CLEAR COVER TO REINFORCEMENT AS FOLLOWS
    - a. RAFT - 50 MM
    - b. PEDESTAL 40MM
  4. MAXIMUM SPACING OF TRESTLE FOUNDATION IS 10M U.O.S  
IN CASE OF OBSTRUCTIONS THE SPACING OF PEDESTALS SHALL BE DECIDED IN CONSULTATION WITH CIVIL DESIGNS
  5. BOLT SUPPLY IS IN THE SCOPE OF USER DEPARTMENT
  6. FOUNDATION SHOULD REST ON VIRGIN SOIL

REV		DATE	ALTERED	BY	DATE	NO. OF
01			CHECKED			WORK
ZONE						
TYPE OF PRODUCT OR NAME OF CUSTOMER/PROJECT		HPBP		Bharat Heavy Electricals Ltd UNIT: HIGH PRESSURE BOILER PLANT TRUCHIRAPALLI - 620014		DATE: 23.08.2012 NO. OF SHEET: 1
SCALE		1:2000 (I:30)		WEIGHT (Kg)		
SHEET NO.		2000		REF TO ASSY / OLD DWG		
TITLE		TRESTLE FOUNDATION FOR PRODUCER GAS PLANT CONNECTING HPBP, SSTEP & UNIT II		DRAWING NO.:		0-TP-CEG-00696