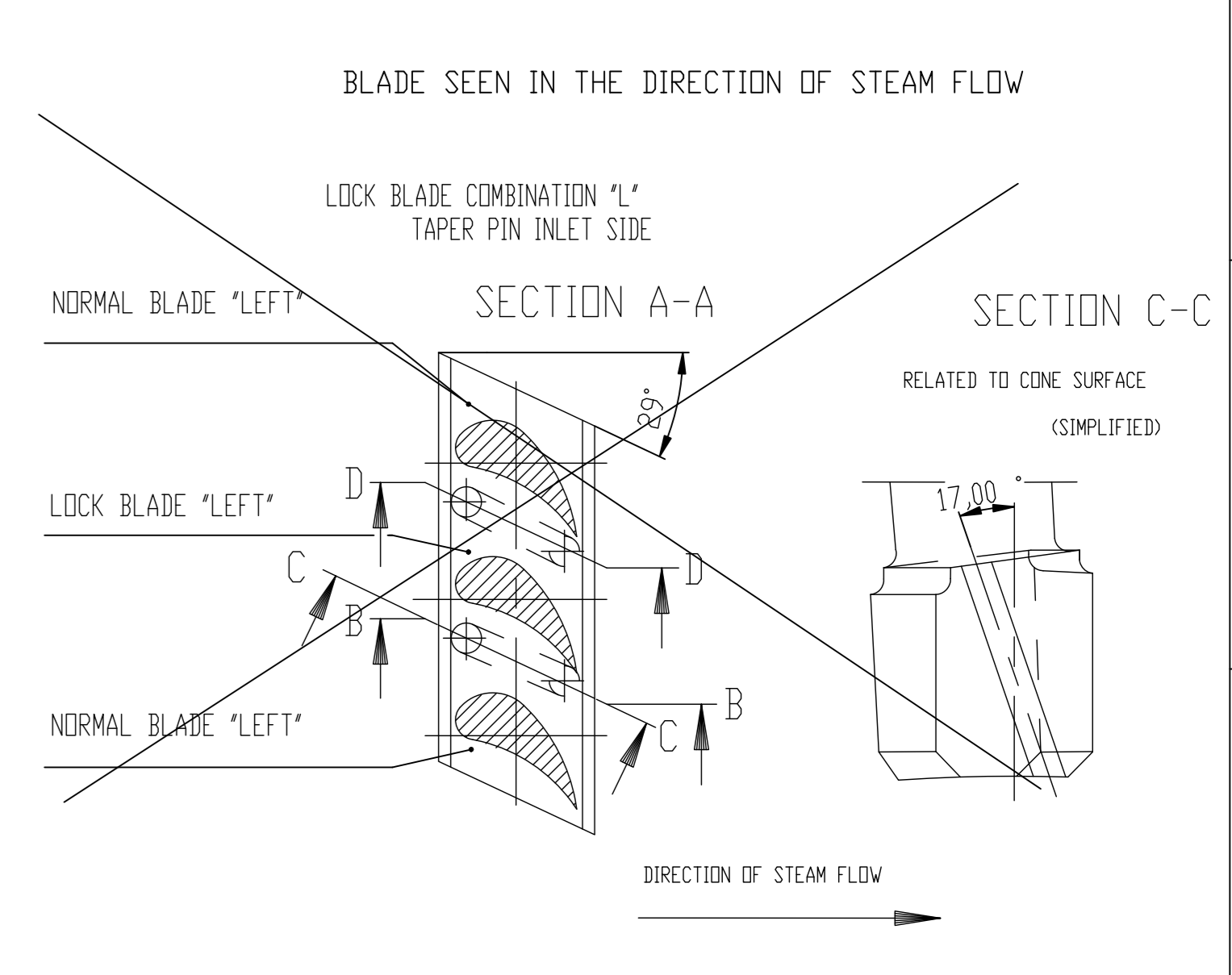
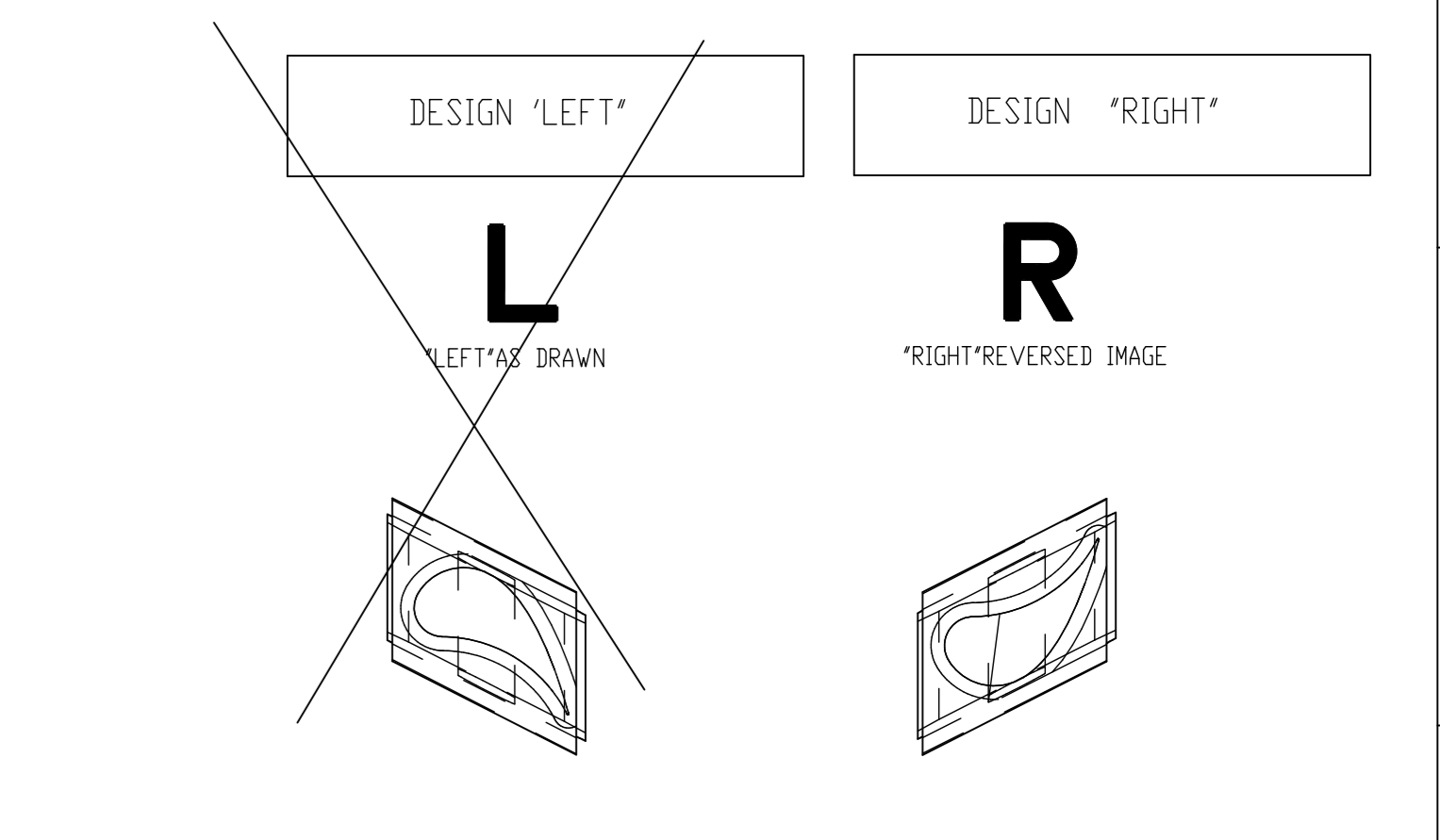


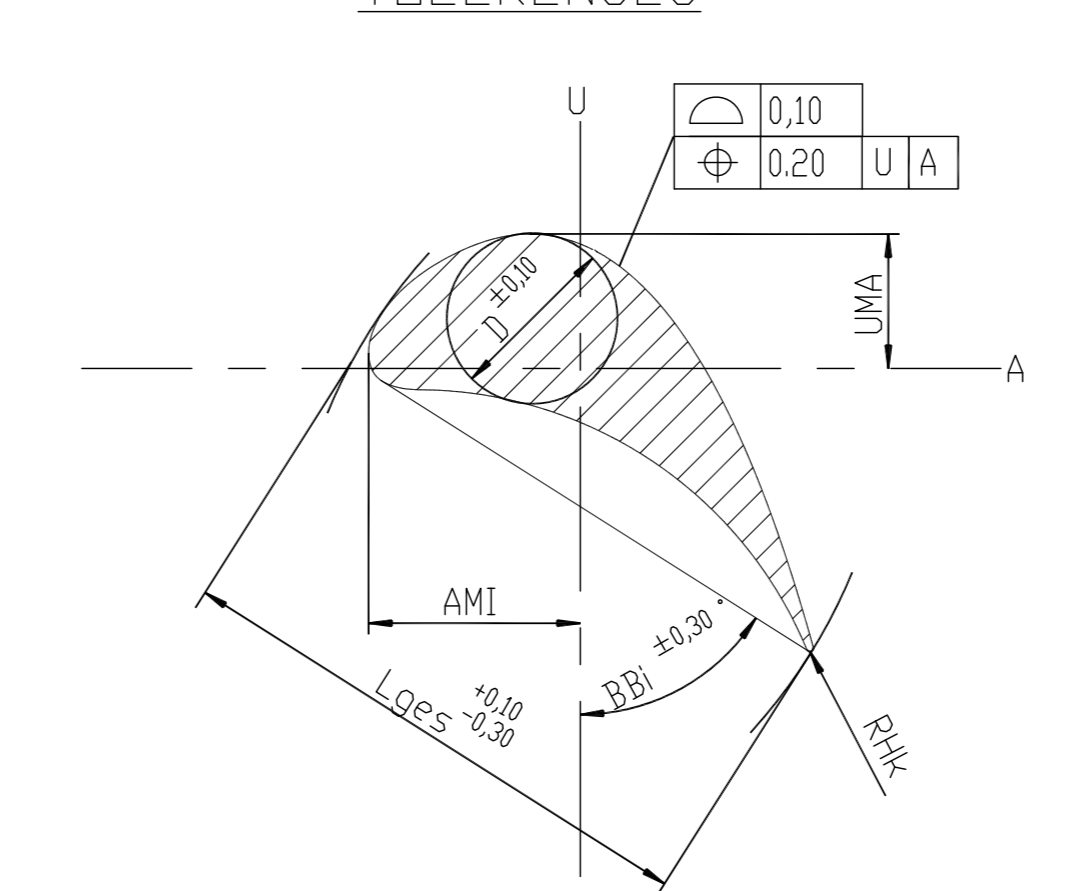
3.2 ALL OVER EXCEPT OTHERWISE STATED $\sqrt{x} = \sqrt{Rz100} = 12.5$, $\sqrt{Rz2.5} = 0.4$, $\sqrt{Rz10} = 1.6$



| SECTION AX | Hx | Lges | AMI | UMA | RHk | BBI | D |
|------------|-------|-------|------|-------|------|-------|------|
| A1 - A1 | -10.0 | 22.98 | 8.22 | 11.04 | 0.11 | 62.55 | 8.17 |
| A2 - A2 | 0.0 | 22.50 | 7.06 | 5.68 | 0.12 | 54.73 | 7.39 |
| A12-A12 | 10.0 | 22.49 | 6.18 | 4.95 | 0.12 | 47.71 | 6.68 |
| A20-A20 | 18.0 | 22.75 | 5.90 | 5.96 | 0.12 | 43.84 | 6.05 |
| A27-A27 | 25.0 | 23.07 | 5.97 | 6.77 | 0.12 | 41.87 | 5.41 |

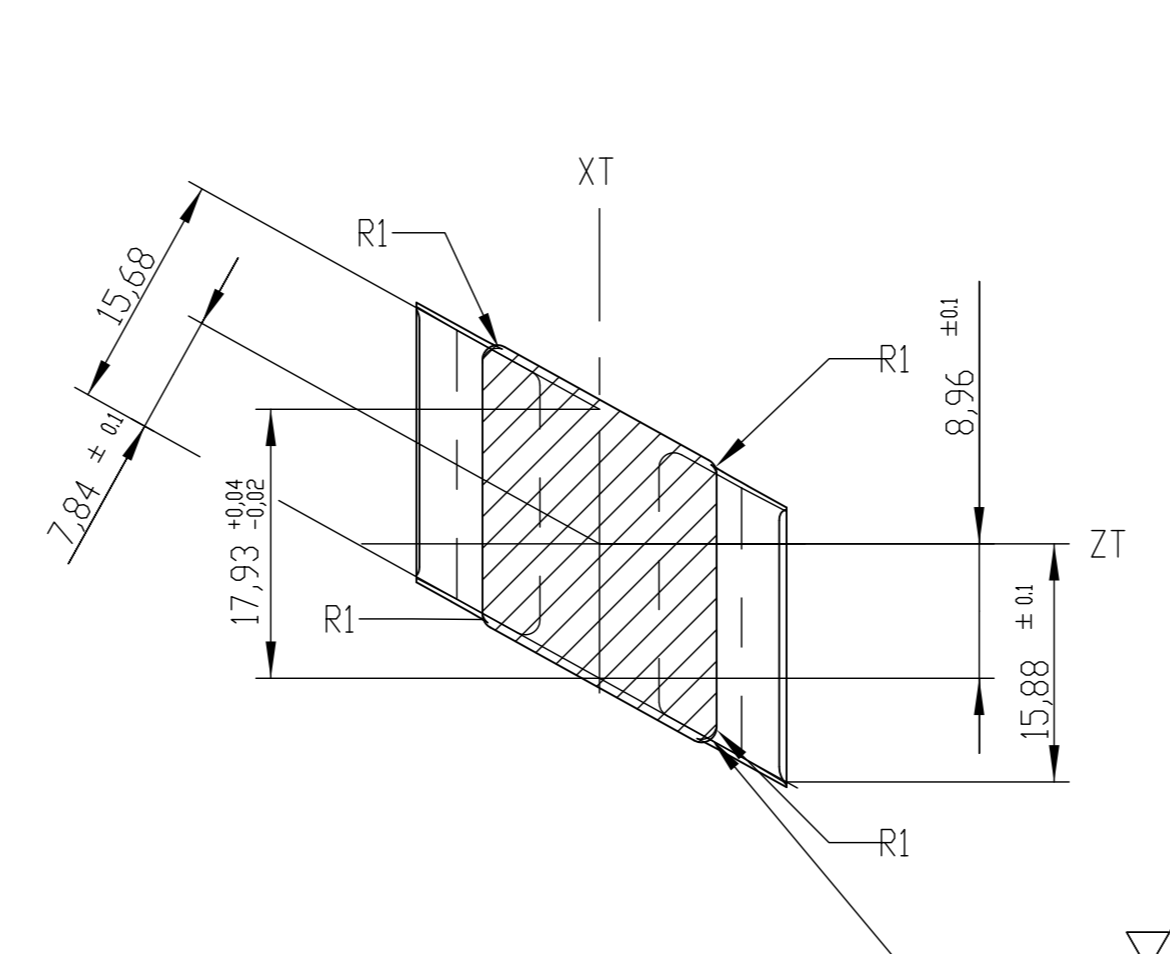
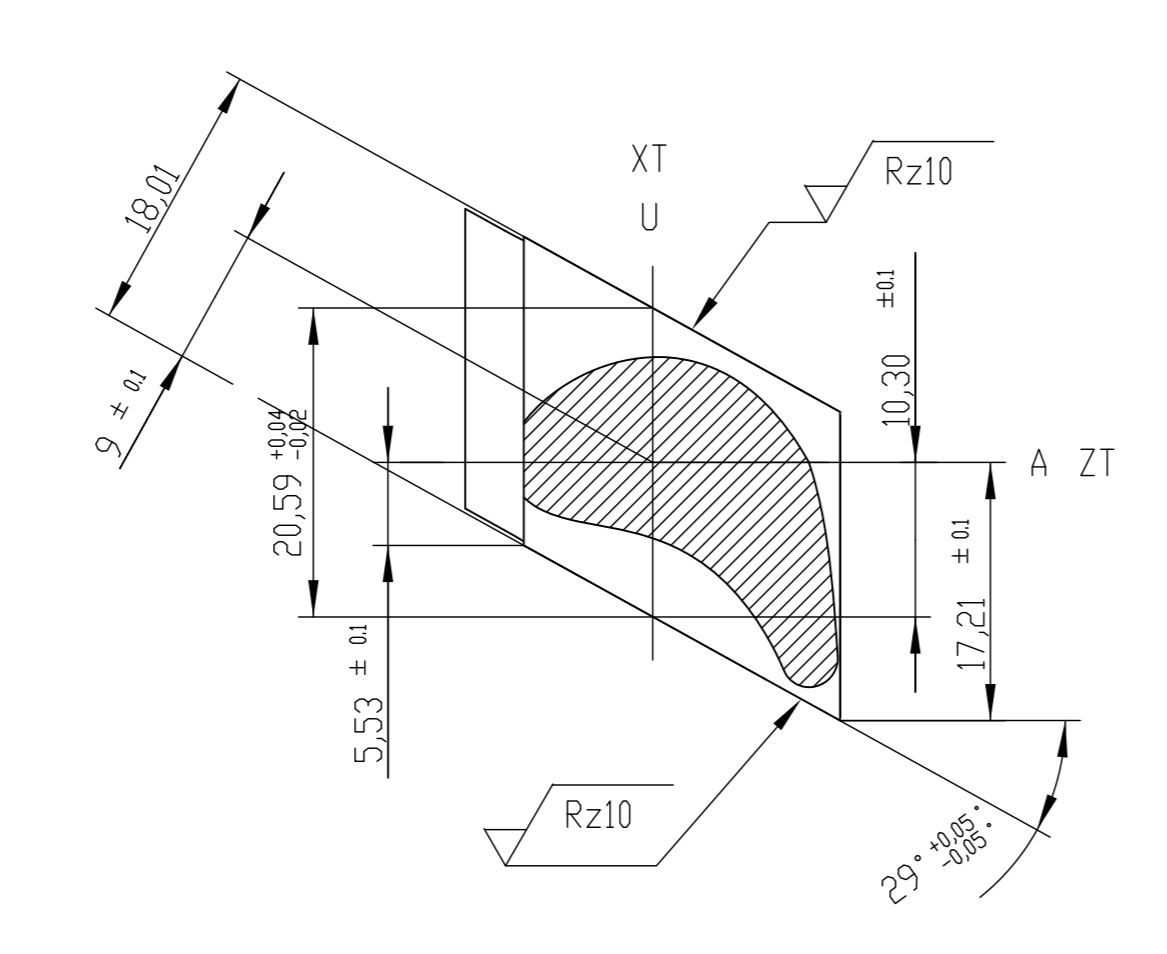
LOCAL SMALLEST RADIUS OF CURVATURE ON PRESSURE SIDE: 5.4 MM

TECHNICAL REQUIREMENTS TOLERANCES

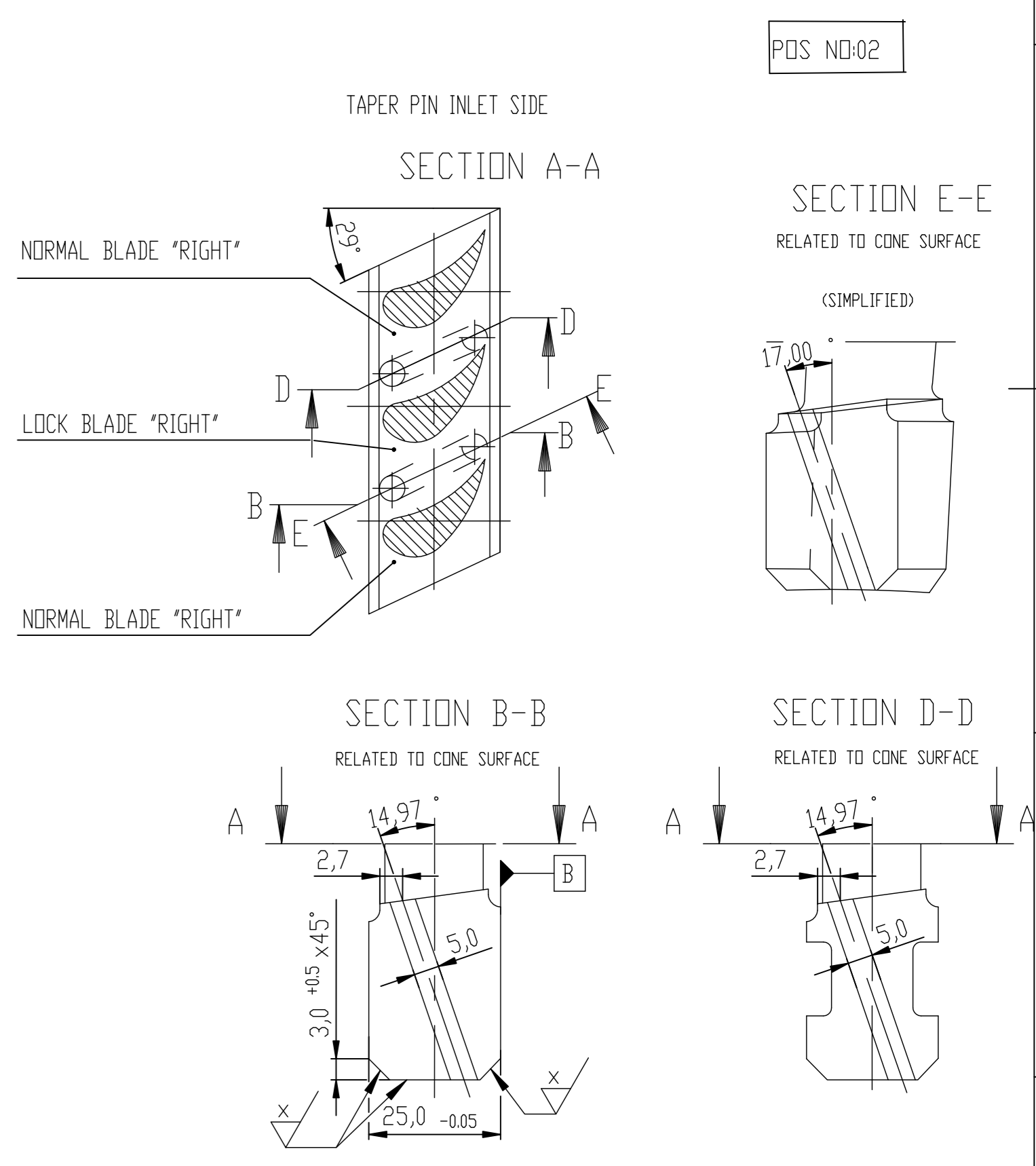
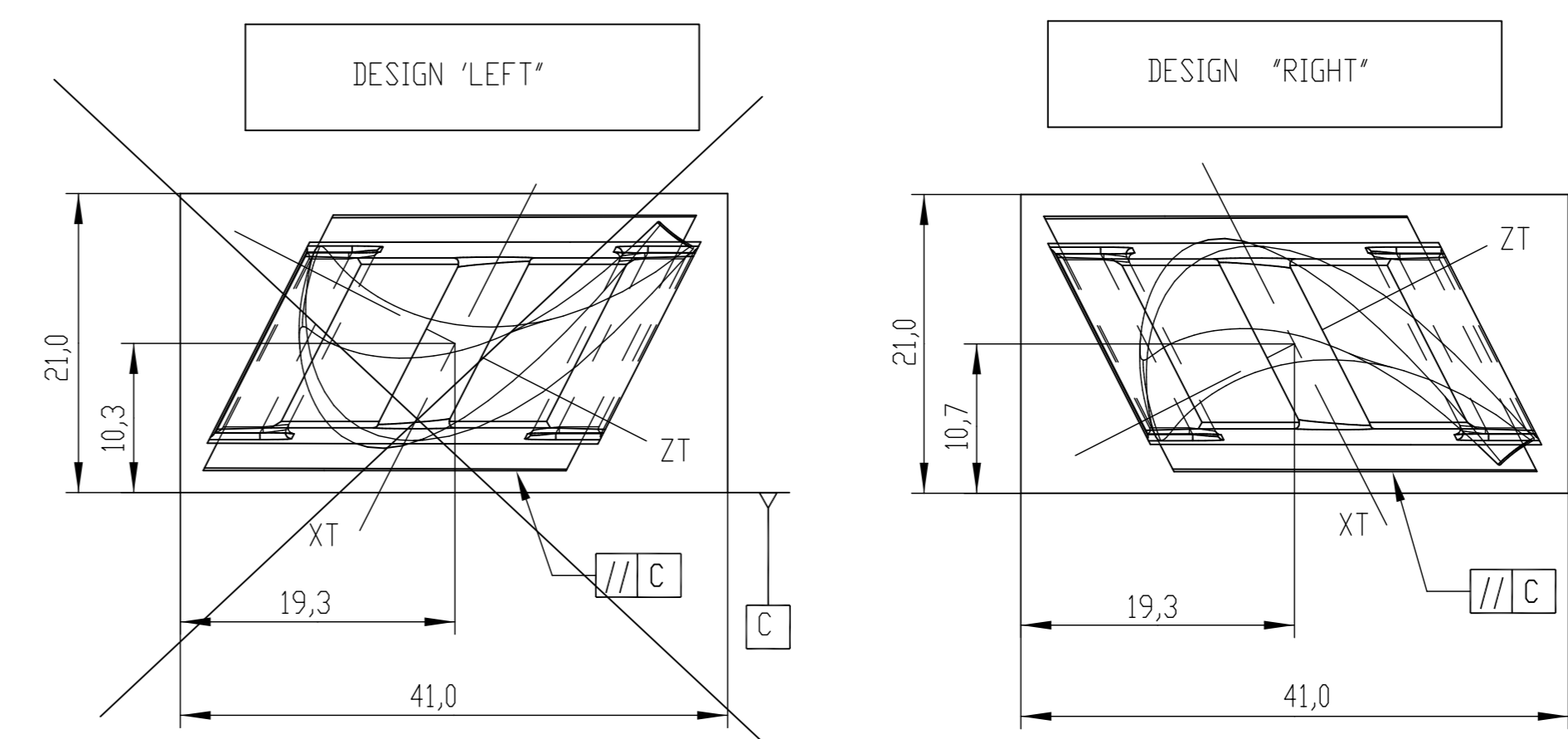


SECTION A2-A2 ALL DIMENSIONS REFERRING TO SECTION A2 (R 312.5)

SECTION C-C ALL DIMENSIONS REFERRING TO ROOT BASE PLANE



RAW PART IN POSITION OF CENTERING (WITHOUT SCALE) (RELATED TO MINIMAL DIMENSION)



- NOTES:
- STRAK NUMBER: 90102
 - NUMBER OF BLADES/ROW (INCLUDING LOCK BLADE): 96

| REV. | DATE | ALTERED | REV. | DATE | ALTERED | REV. | DATE | ALTERED | REV. | DATE | ALTERED | REV. | DATE | ALTERED | REV. | DATE | ALTERED | REV. | DATE | ALTERED | REV. | DATE | ALTERED | REV. | DATE | ALTERED | | | | | | | | | | | | | | | | | | | | | |
|------|------|---------|------|------|---------|------|------|---------|------|------|---------|------|------|---------|------|------|---------|------|------|---------|------|------|---------|------|------|---------|----|--|--|----|--|--|----|--|--|----|--|--|----|--|--|----|--|--|----|--|--|
| 1 | | | 2 | | | 3 | | | 4 | | | 5 | | | 6 | | | 7 | | | 8 | | | 9 | | | 10 | | | 11 | | | 12 | | | 13 | | | 14 | | | 15 | | | 16 | | |

TYPE OF PRODUCT OR NAME OF CUSTOMER/PROJECT: BHARAT HEAVY ELECTRICALS LTD. HYDERABAD

NAME: BHARAT HEAVY ELECTRICALS LTD. HYDERABAD

DATE: 30.08.2014

REV. NO.: 00

DRAWING NO.: 0-101-02-62007_00

TITLE: MOVING BLADE-RIGHT S-999-R25-TR02/035A2S

THE INFORMATION ON THIS DOCUMENT IS THE PROPERTY OF BHARAT HEAVY ELECTRICALS LIMITED. IT MUST NOT BE USED DIRECTLY OR INDIRECTLY IN ANY WAY DETRIMENTAL TO THE INTEREST OF THE COMPANY.