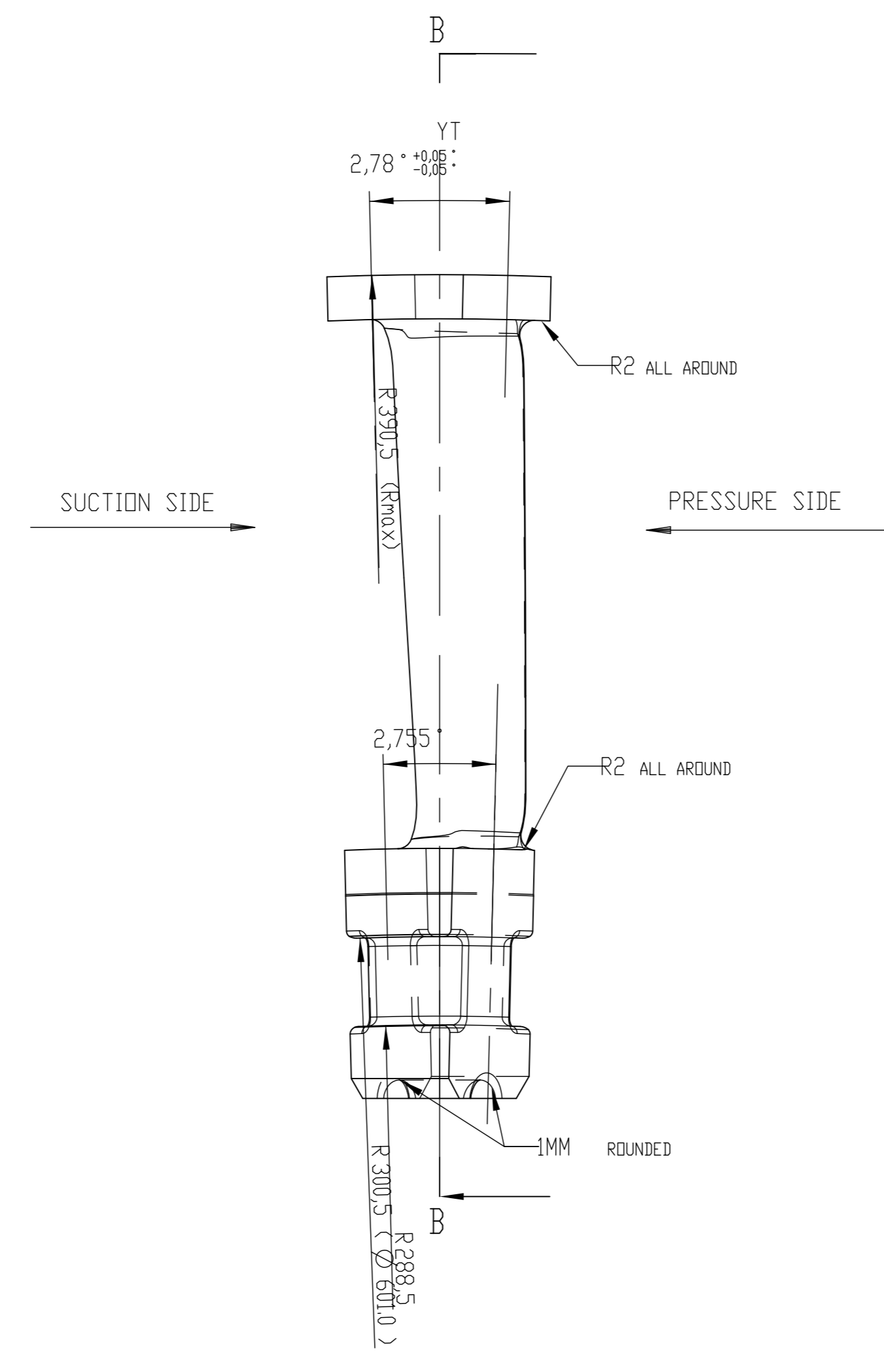
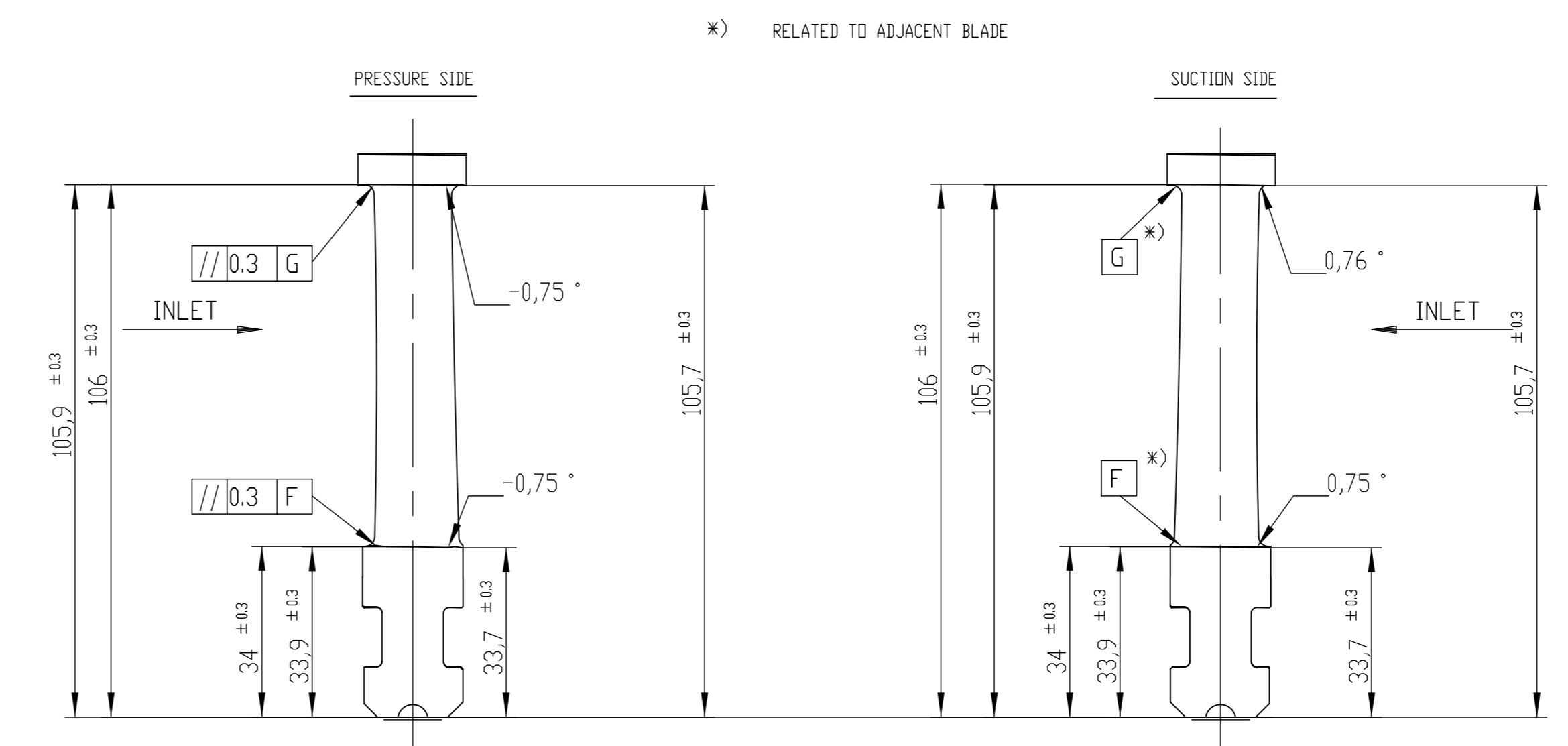


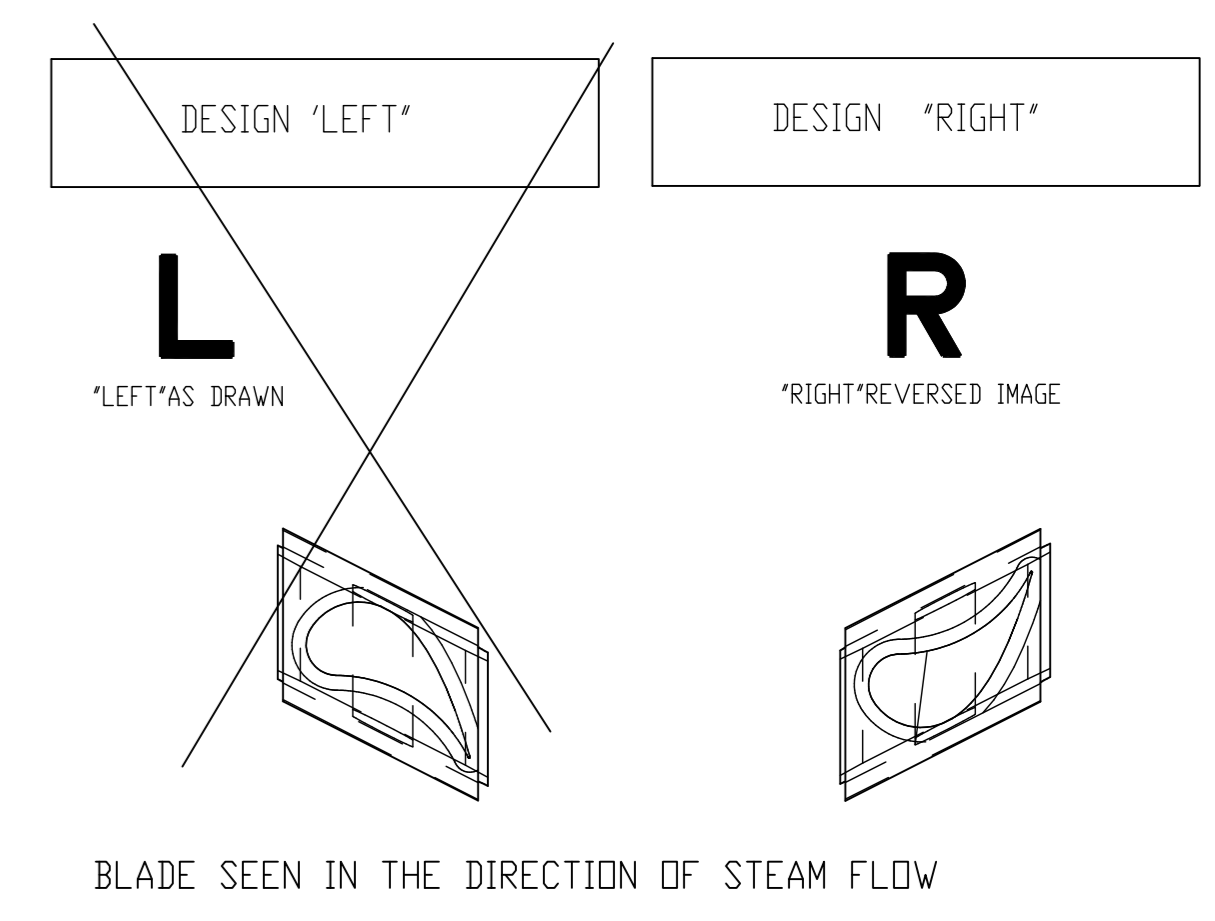
DESIGN 'LEFT'



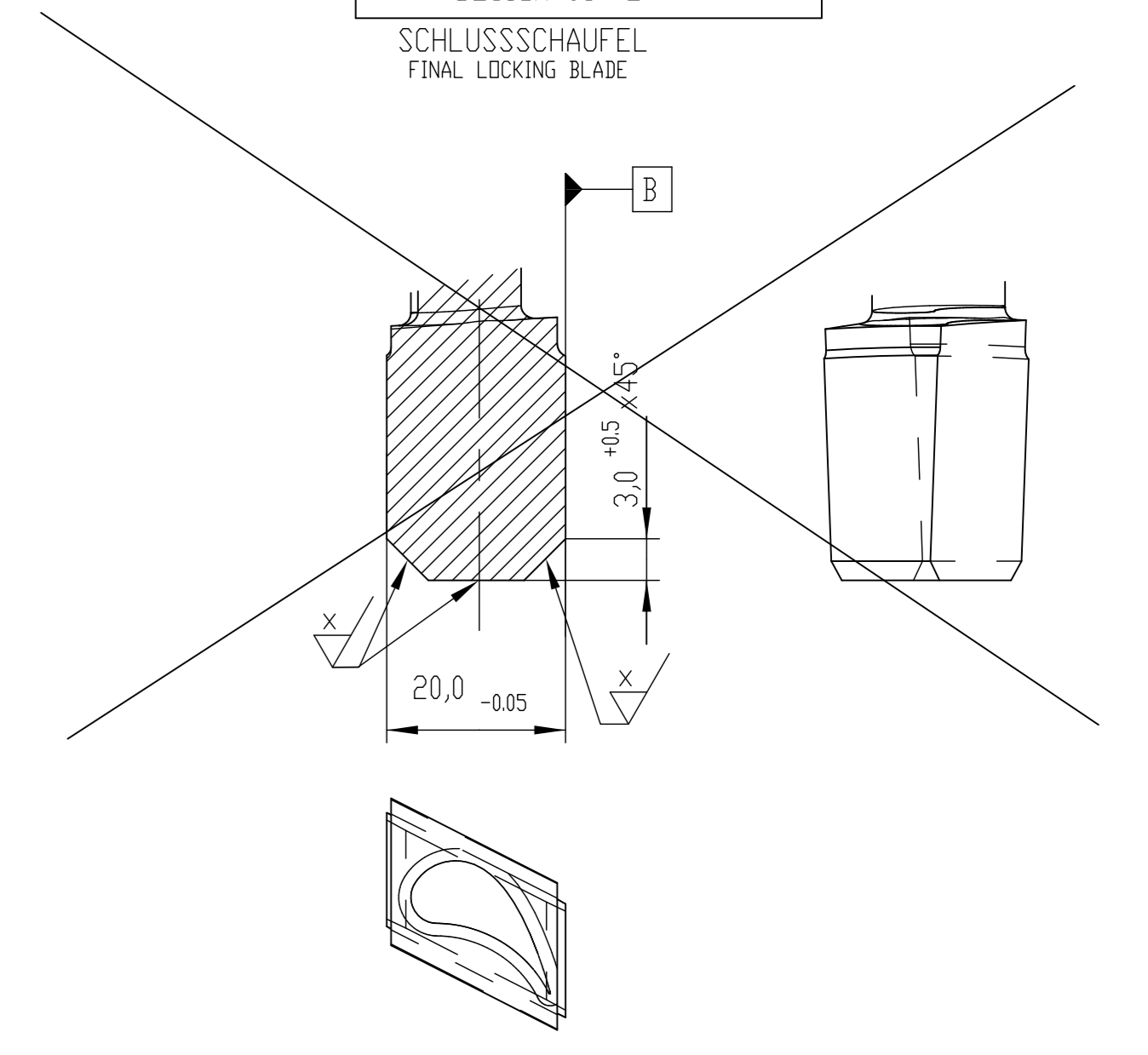
SCHEME FOR D AND S DIMENSIONS



3.2 ALL OVER EXCEPT OTHERWISE STATED (√ = √ Rz100 Rmax160 = 12.5 / √, √ Rz2.5 = 0.4 / √, √ Rz10 = 1.6 / √)



AUSFUEHRUNG 03 'L'
DESIGN 03 'L'
SCHLUSSCHAUFEL
FINAL LOCKING BLADE

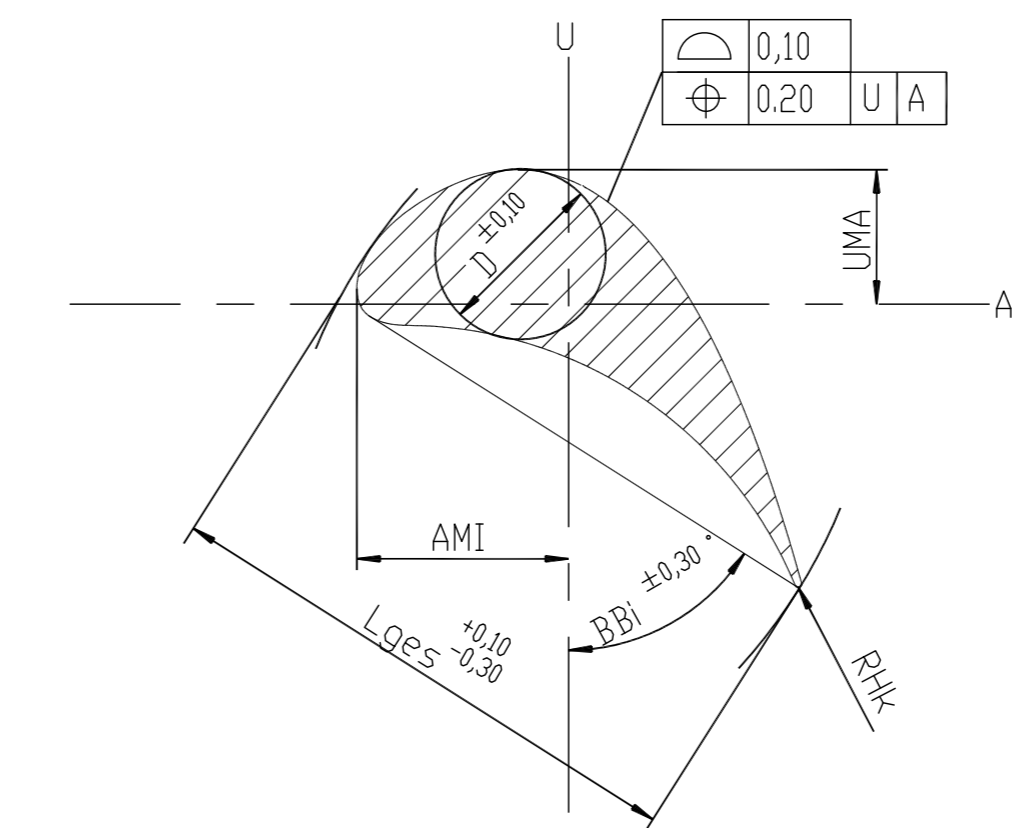


| SECTION AX | Hx | Lges | AMI | UMA | Rhk | BBI | D |
|------------|-------|-------|------|------|------|-------|------|
| A1 - A1 | -10.0 | 19.36 | 7.85 | 9.86 | 0.10 | 66.28 | 6.64 |
| A2 - A2 | 0.0 | 19.50 | 7.60 | 4.42 | 0.10 | 62.13 | 6.41 |
| A12-A12 | 10.0 | 19.75 | 7.39 | 3.28 | 0.10 | 58.20 | 6.19 |
| A38-A38 | 36.0 | 20.65 | 7.18 | 4.80 | 0.11 | 50.24 | 5.53 |
| A64-A64 | 62.0 | 21.67 | 7.49 | 6.19 | 0.11 | 45.68 | 4.64 |

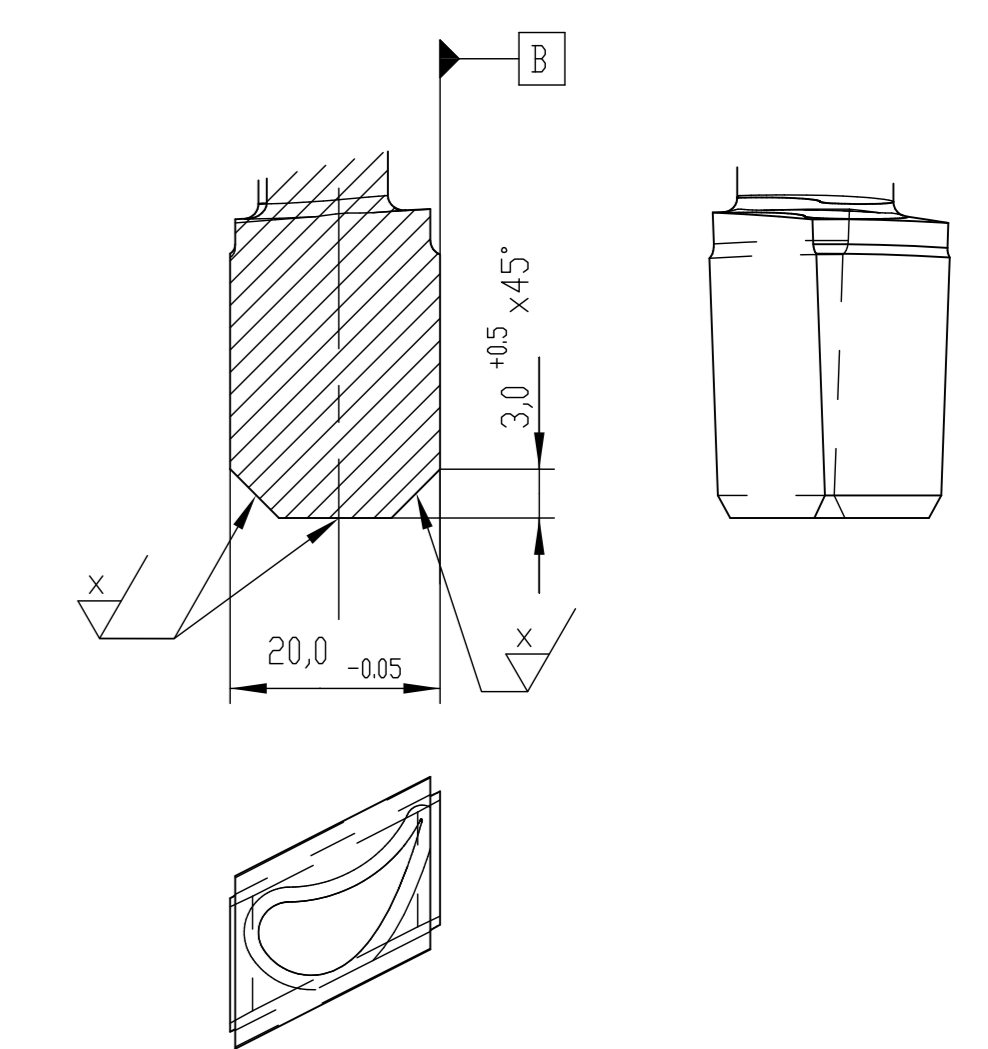
LOCAL SMALLEST RADIUS OF CURVATURE ON PRESSURE SIDE: 10.1 MM

TECHNICAL REQUIREMENTS

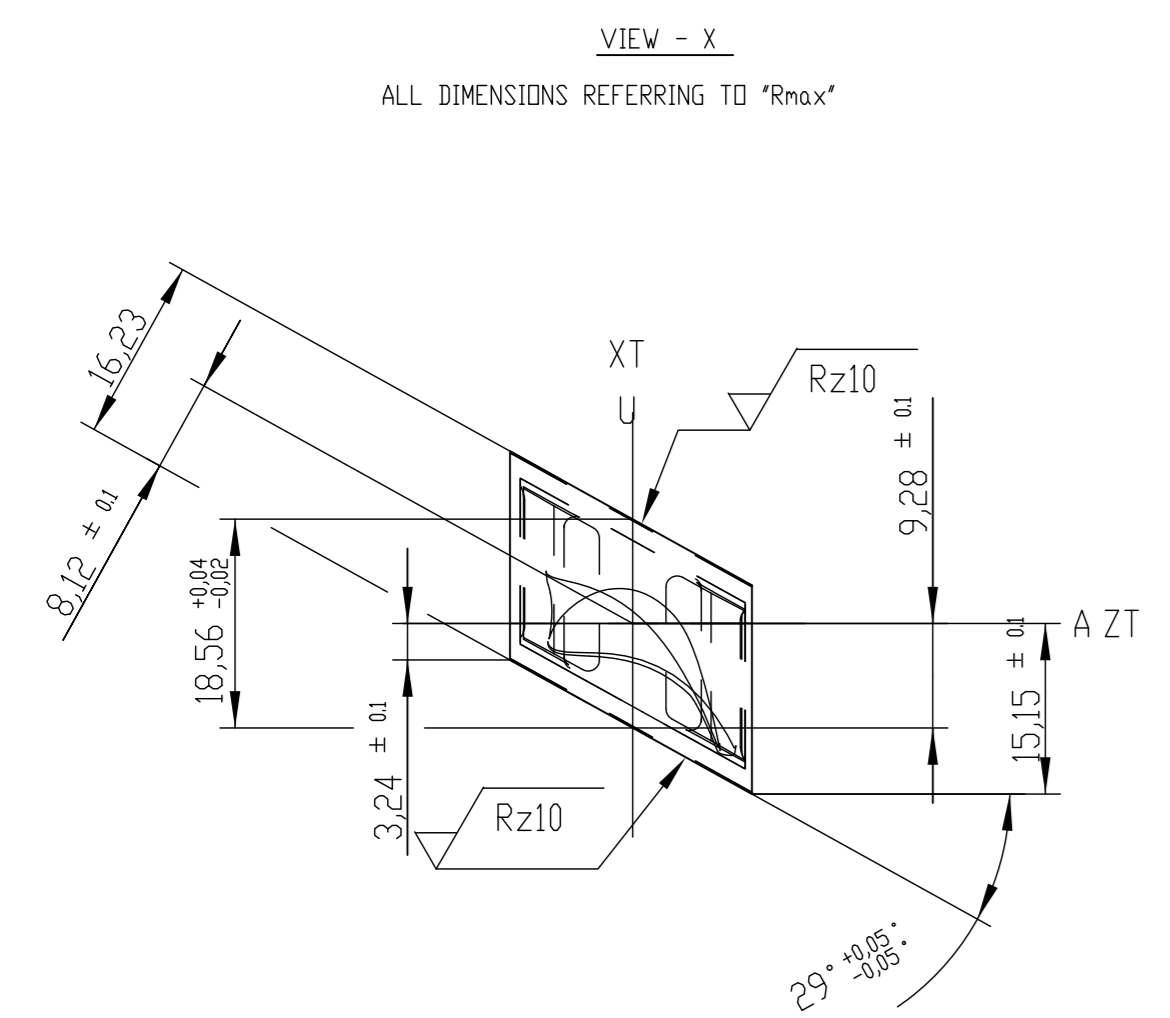
TOLERANCES



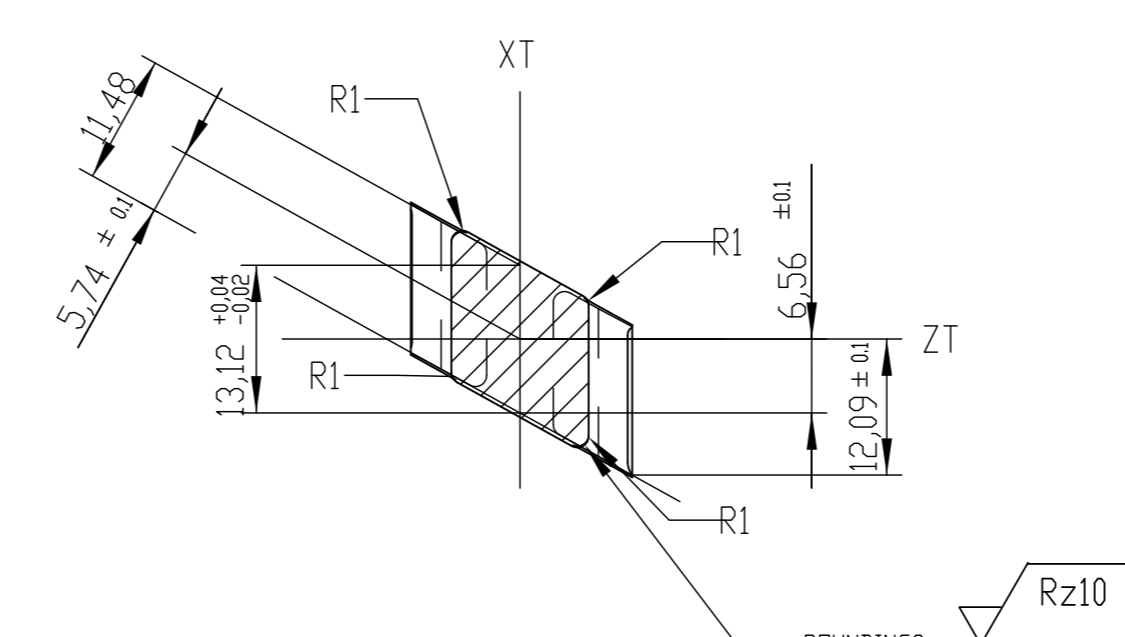
POS ND02



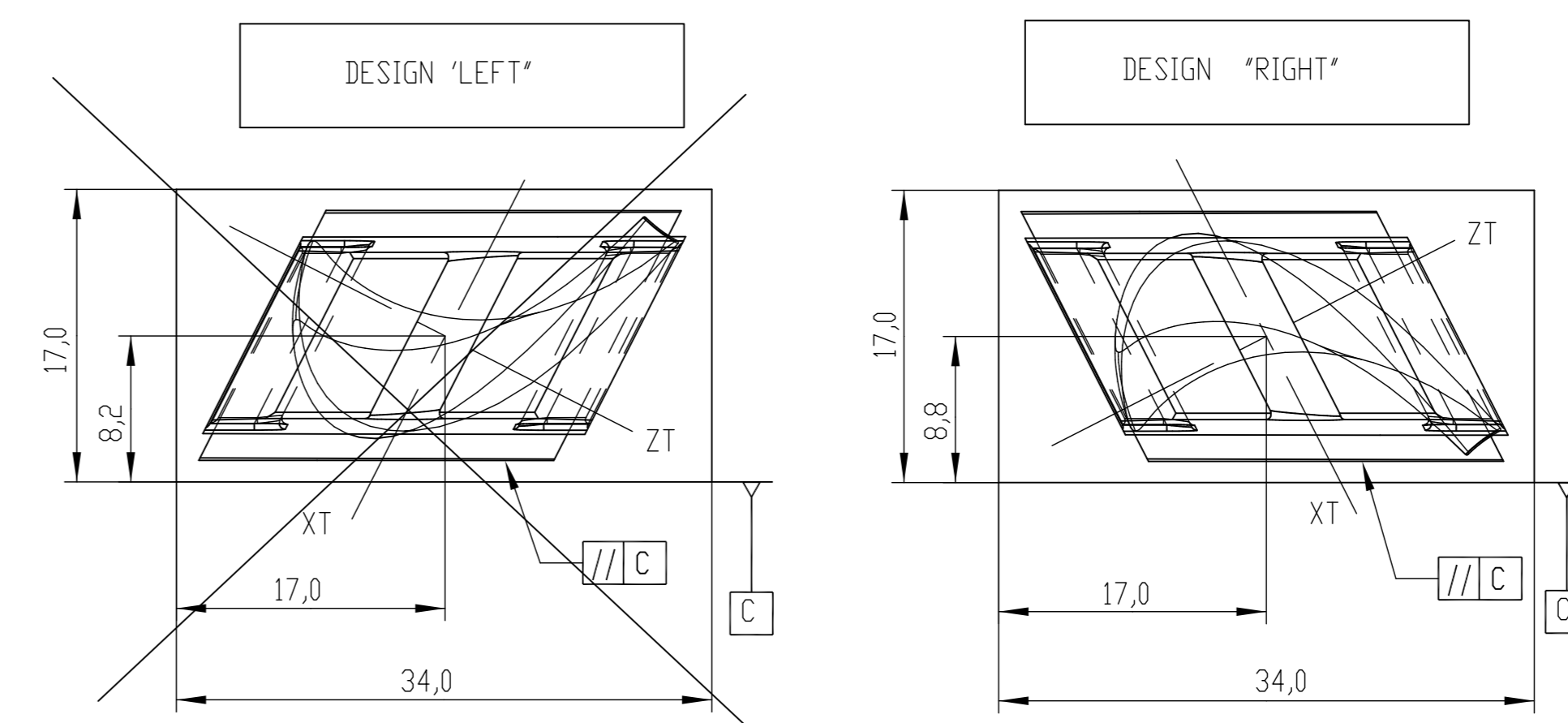
SECTION A2-A2
ALL DIMENSIONS REFERRING TO SECTION A2 (R 312.5)



SECTION C-C
ALL DIMENSIONS REFERRING TO ROOT BASE PLANE



RAW PART IN POSITION OF CENTERING (WITHOUT SCALE)
(RELATED TO MINIMAL DIMENSION)



NOTES:

- STRAK NUMBER: 90124
- NUMBER OF BLADES/ROW: 134 (INCLUDING LOCK BLADE)

| DEPT | UNTL | DIMS | SCALE | WEIGHT | REF. TO ASSY. DRG. | ITEM NO. | REV |
|------|------|-------|-------|--------|--------------------|----------|------|
| 113 | GR | C/M/F | NTS | 0.12 | -NA- | -NA- | -NA- |

TITLE: MOVING BLADE-RIGHT
S-999-R20-TR112/072A2S

DRAWING NO. 0-101-02-62007_00
SHT. No 23 / NO. OF SHT. 23

THE INFORMATION ON THIS DOCUMENT IS THE PROPERTY OF BHARAT HEAVY ELECTRICALS LIMITED. IT MUST NOT BE USED DIRECTLY OR INDIRECTLY IN ANY WAY DETRIMENTAL TO THE INTEREST OF THE COMPANY