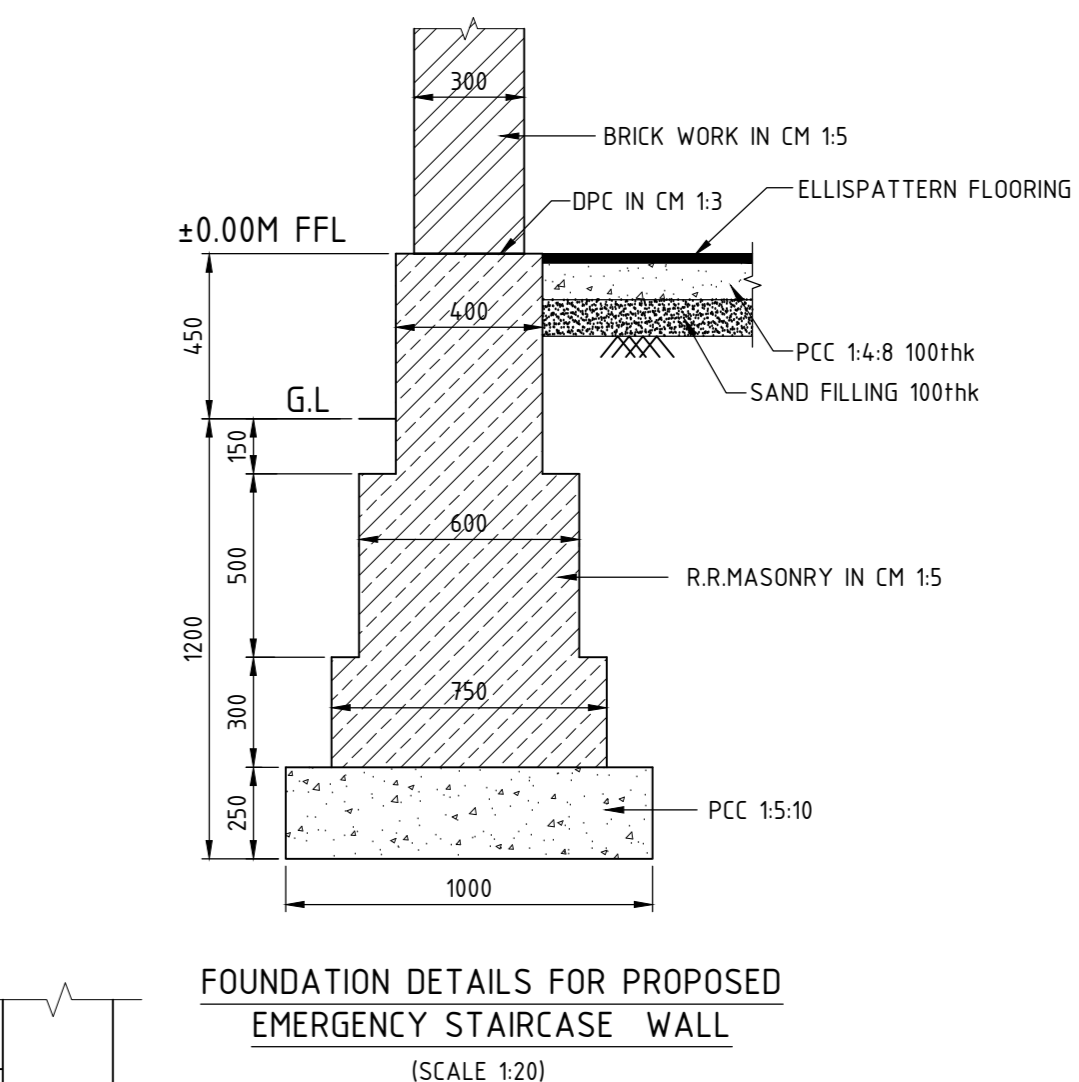
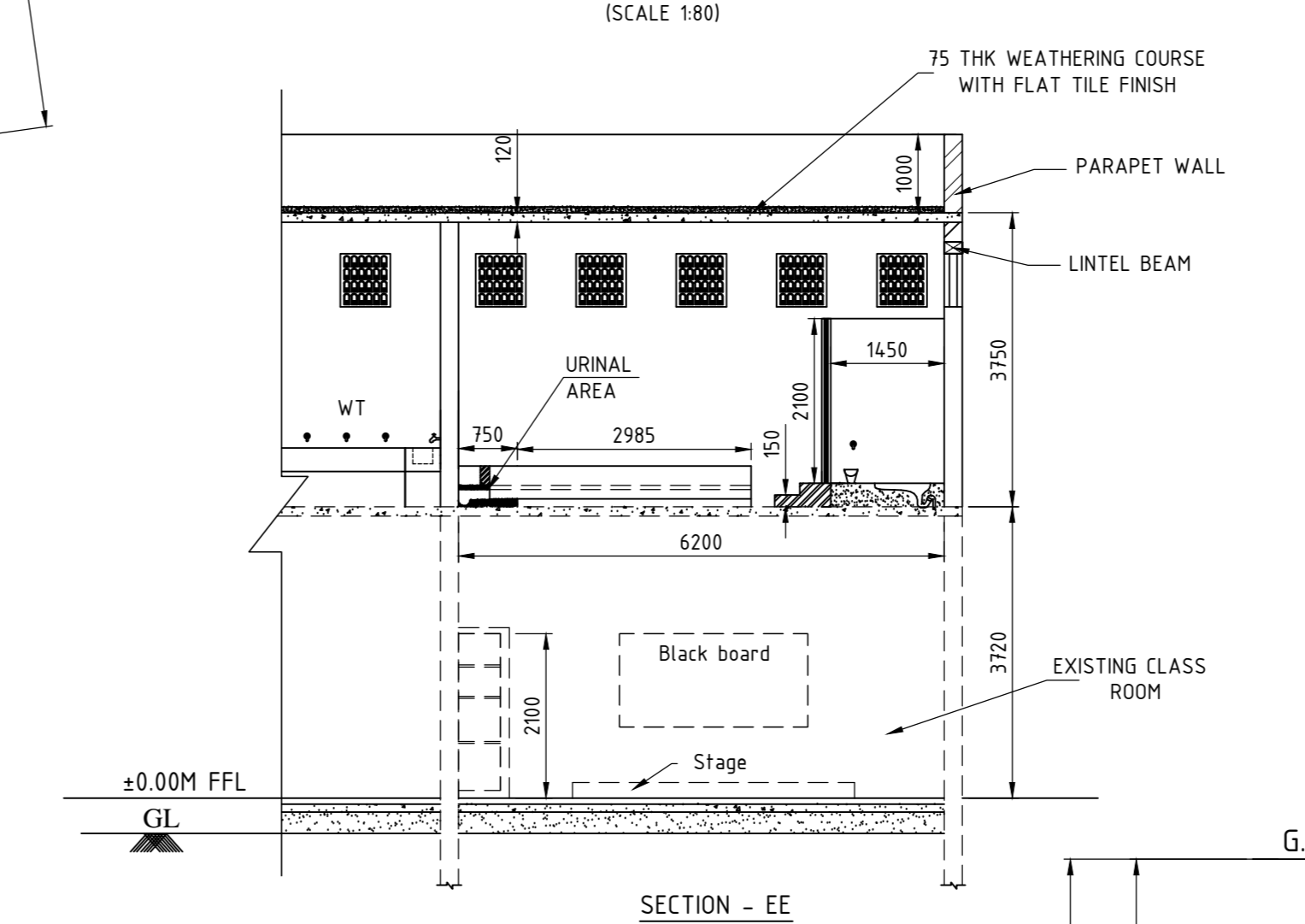
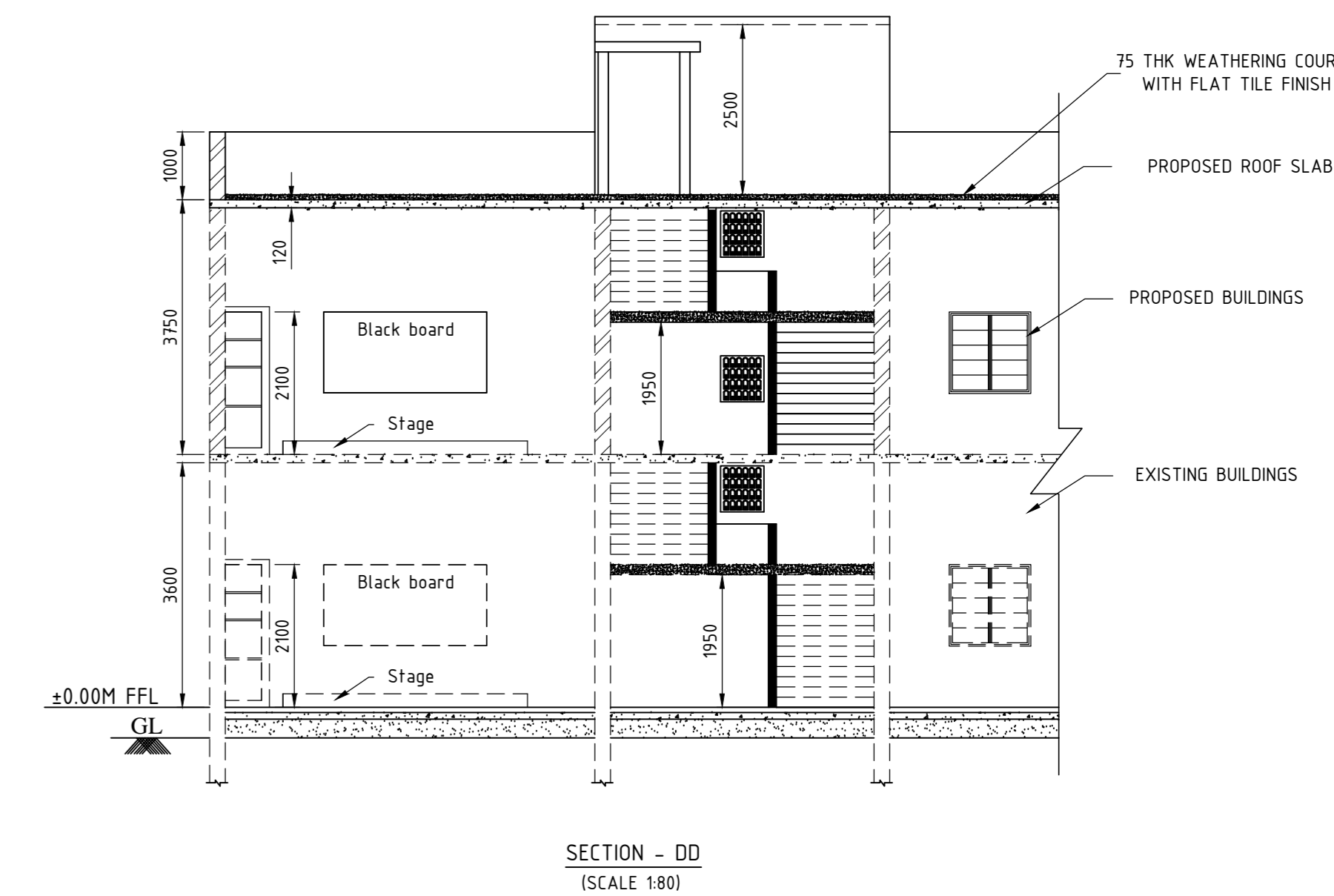
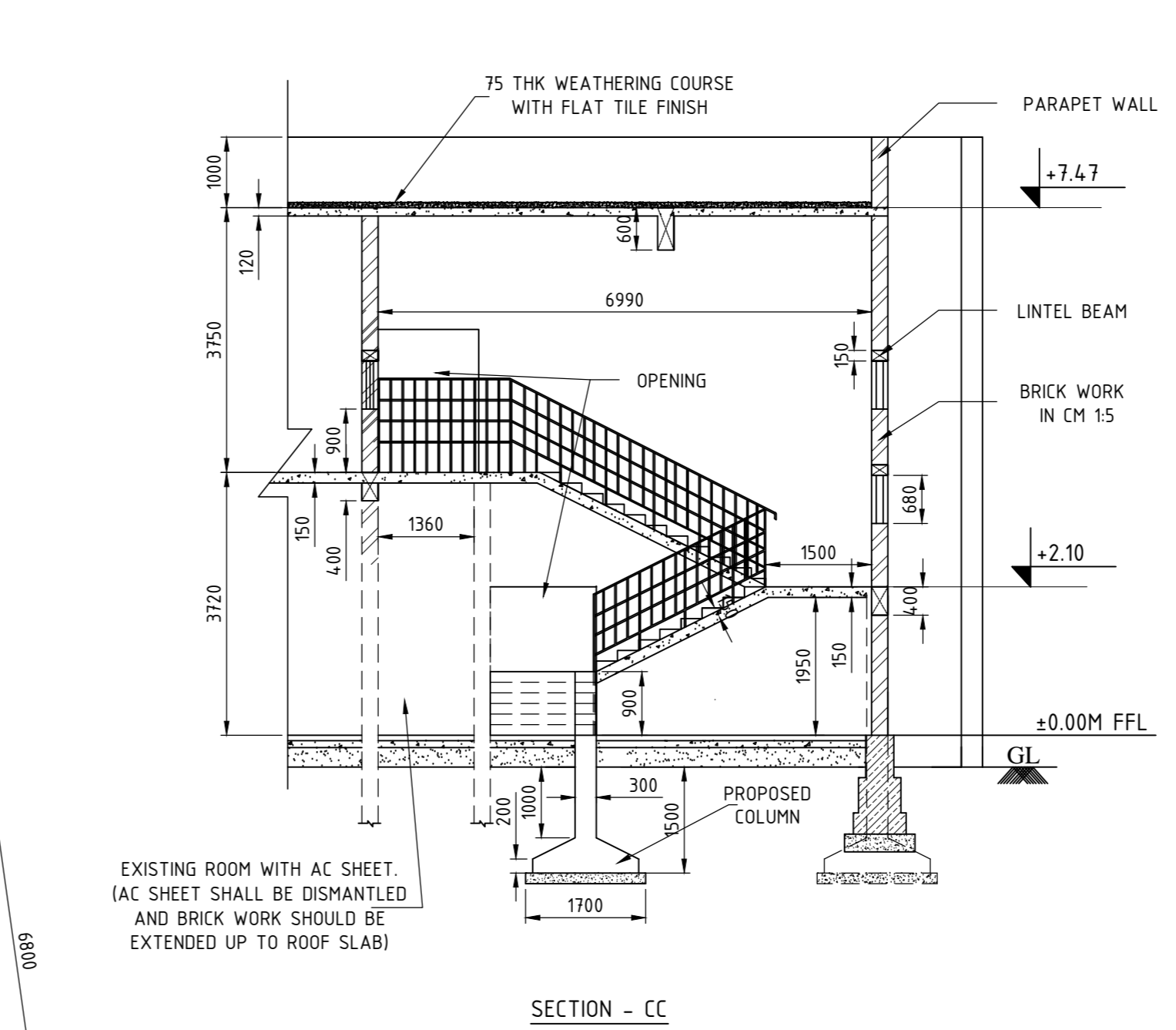
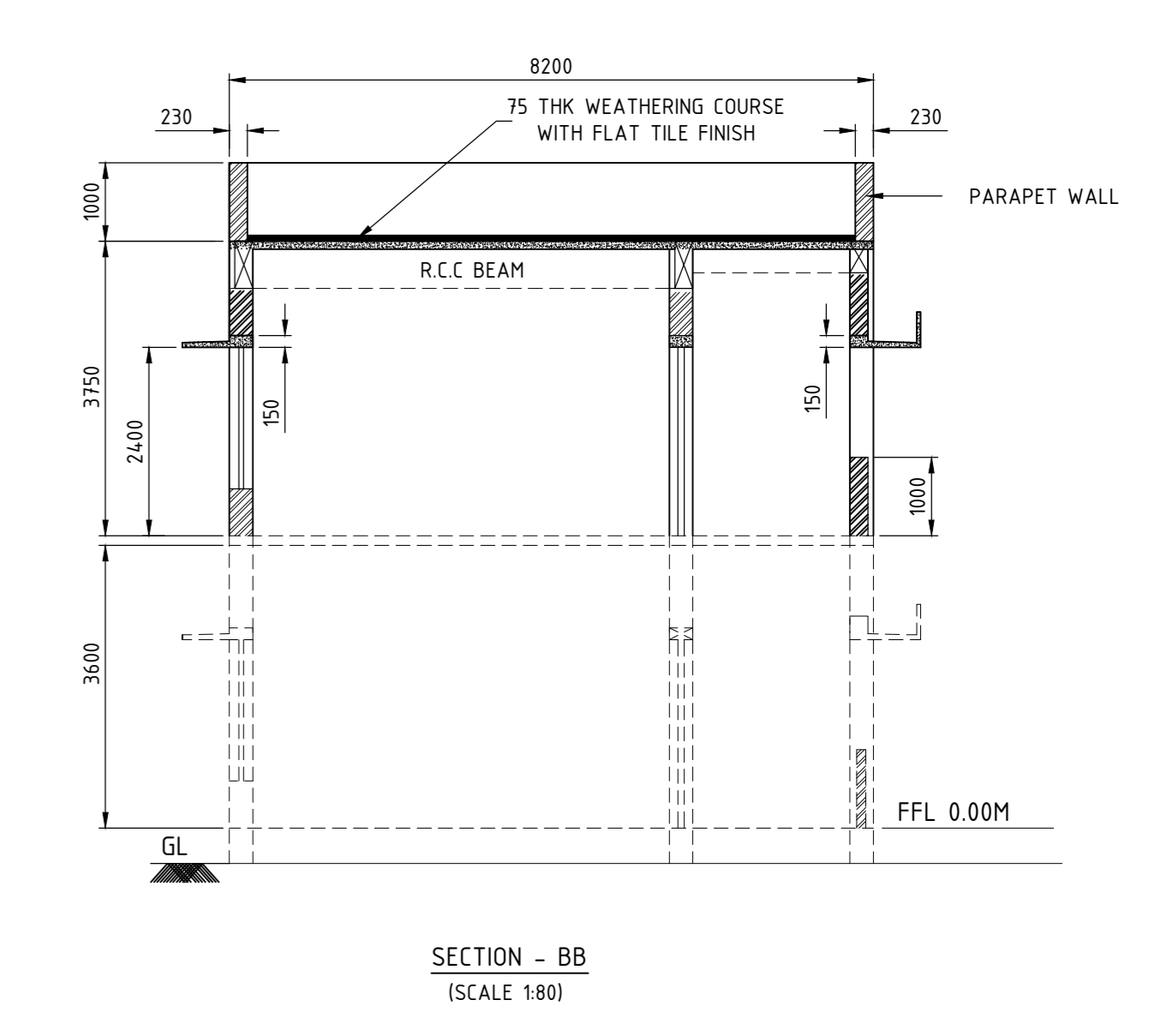
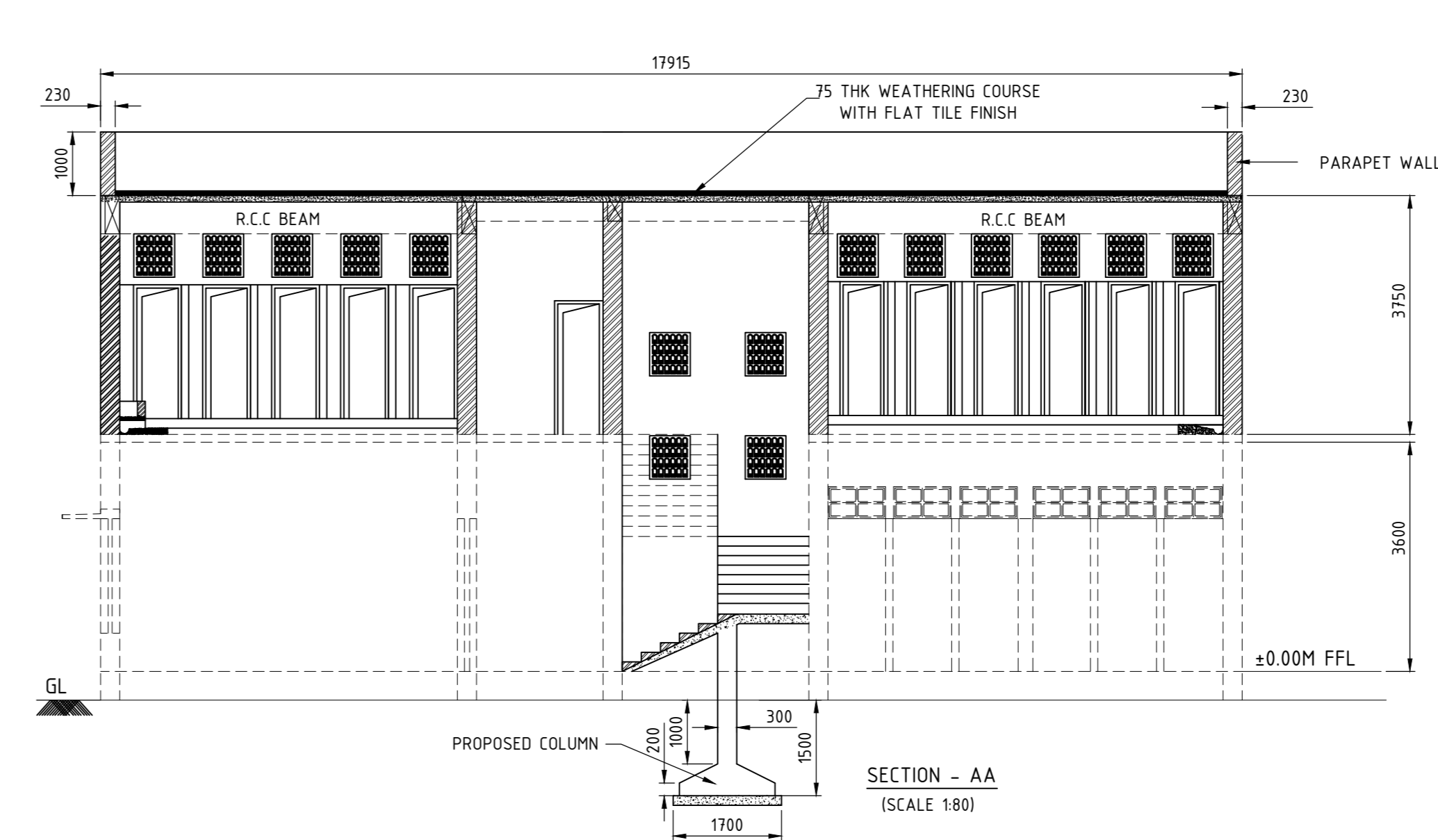
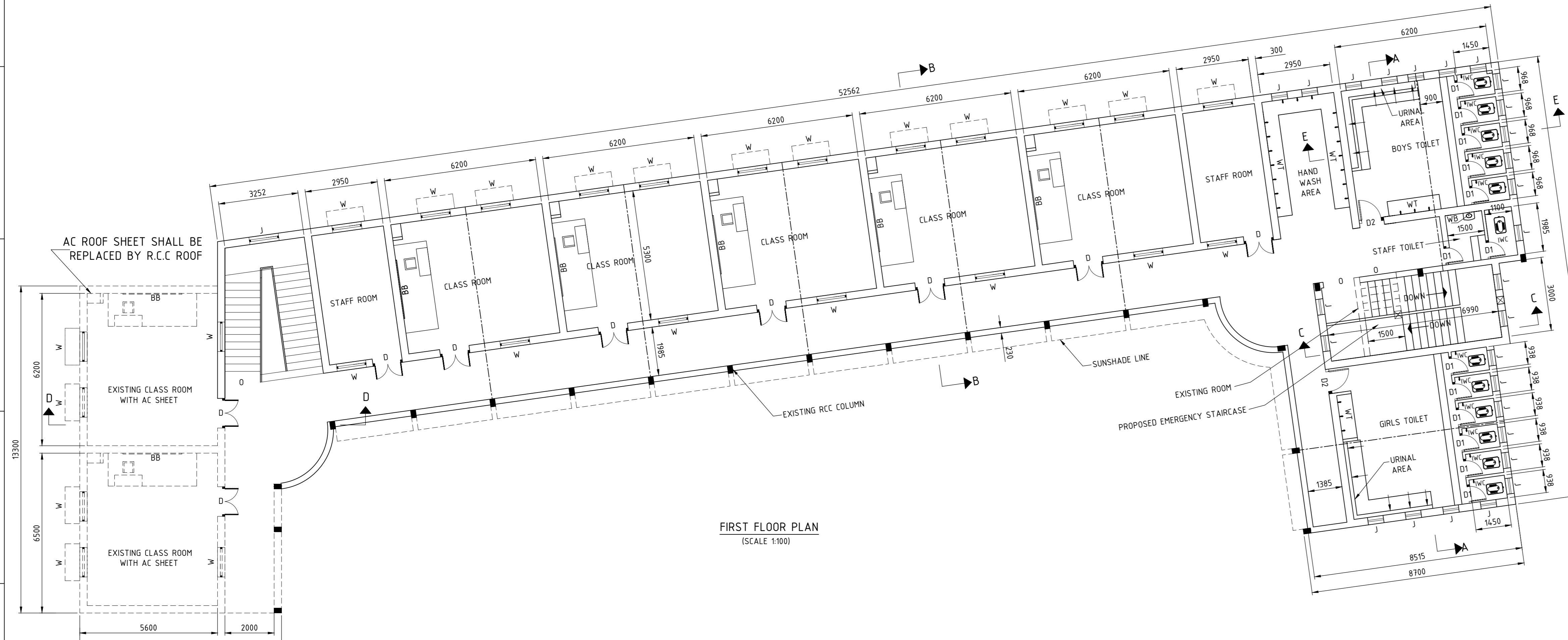
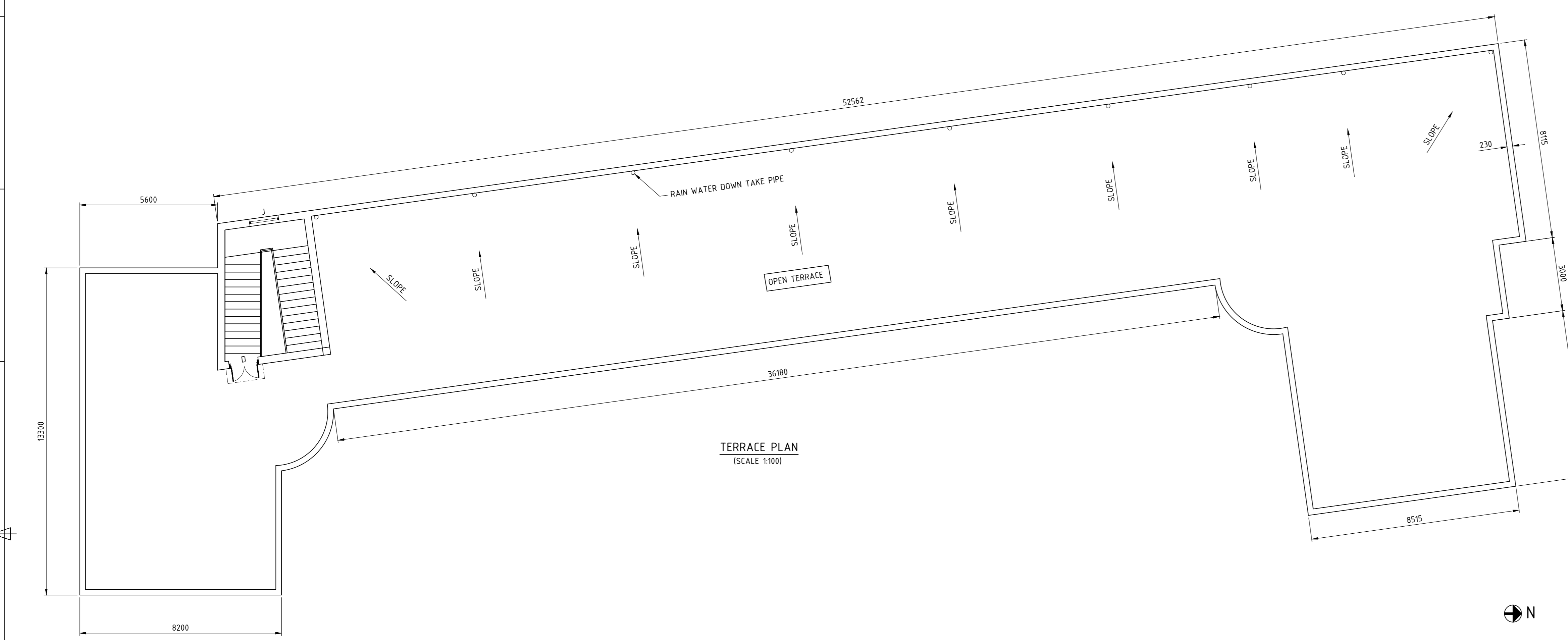
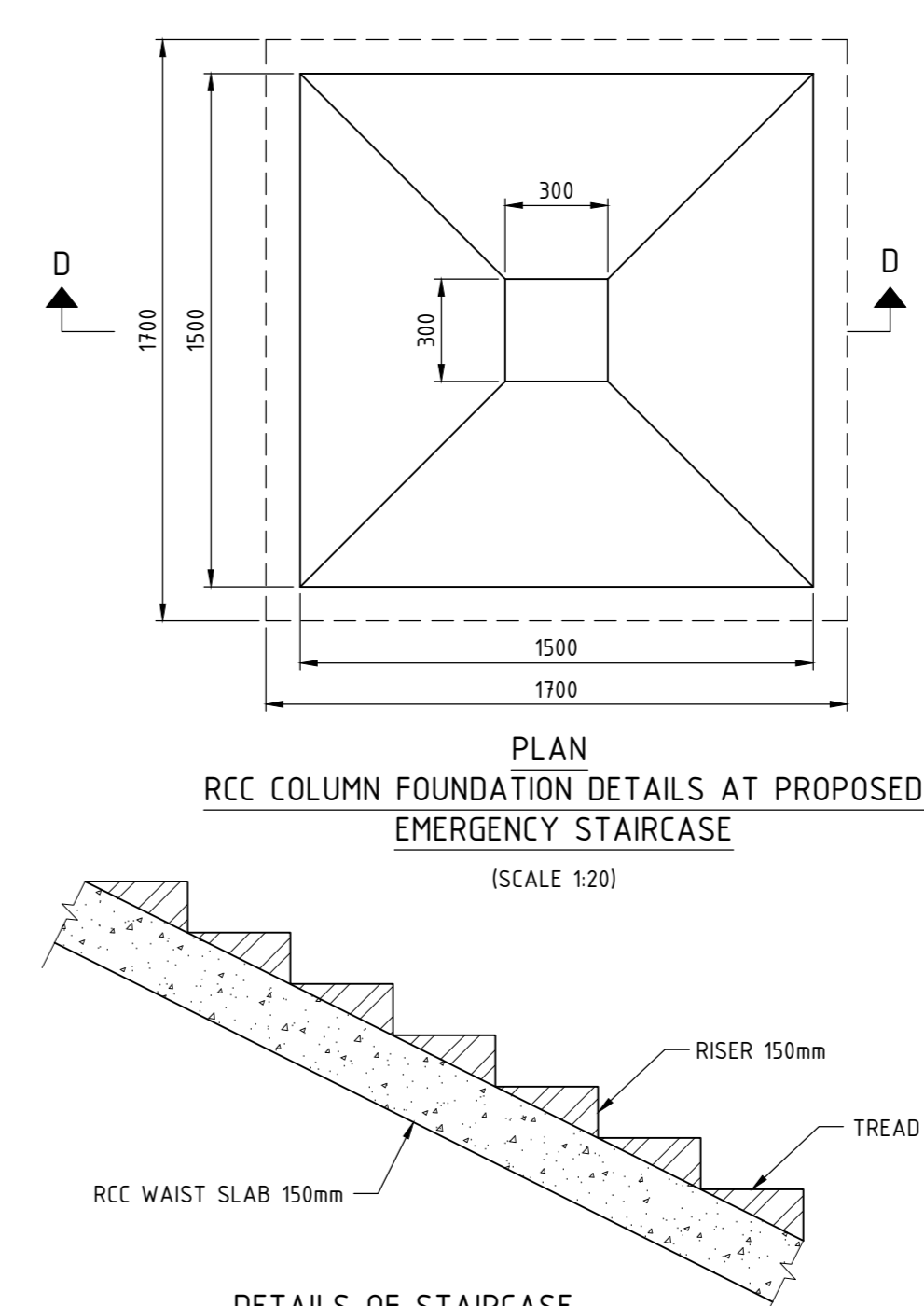
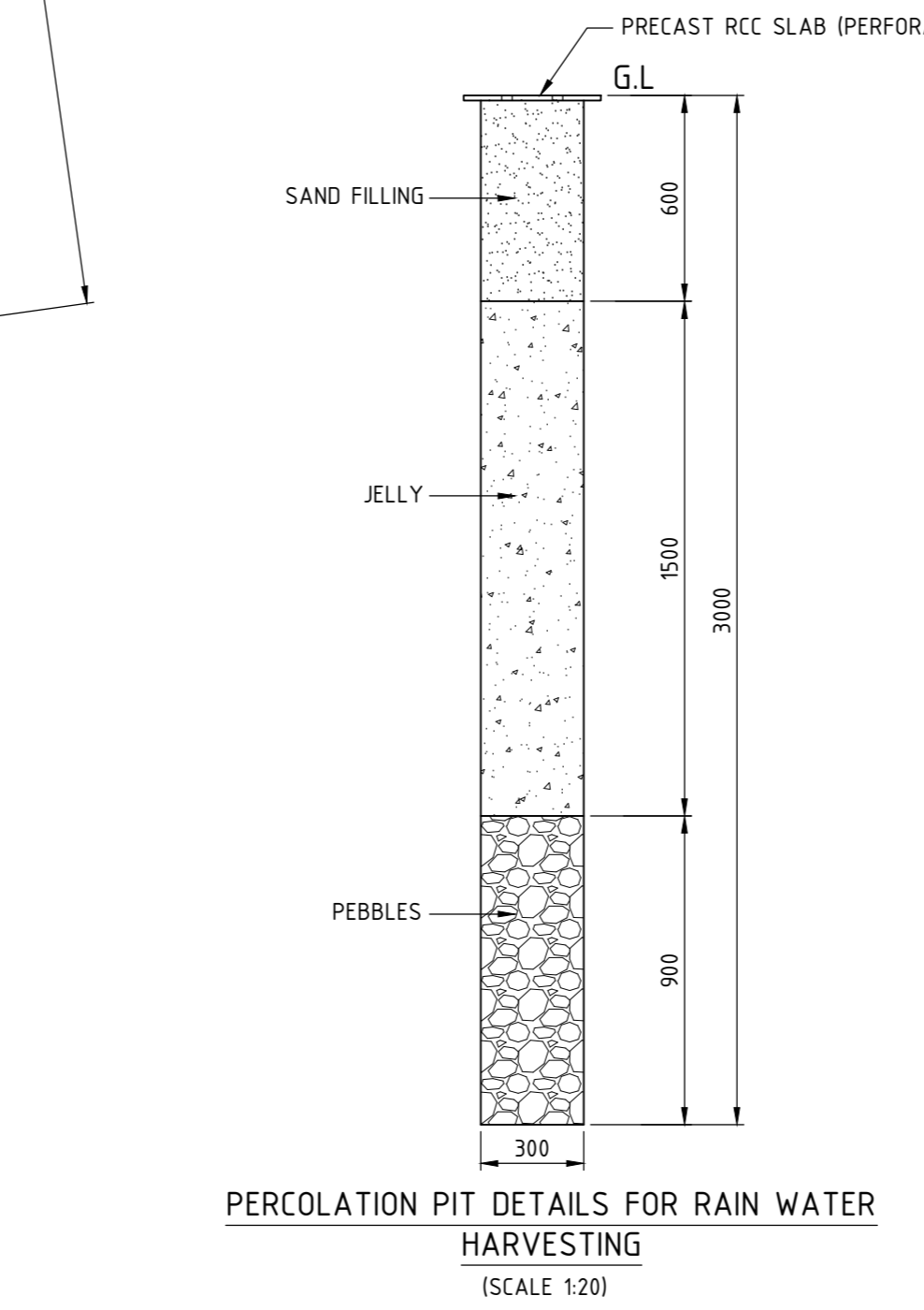
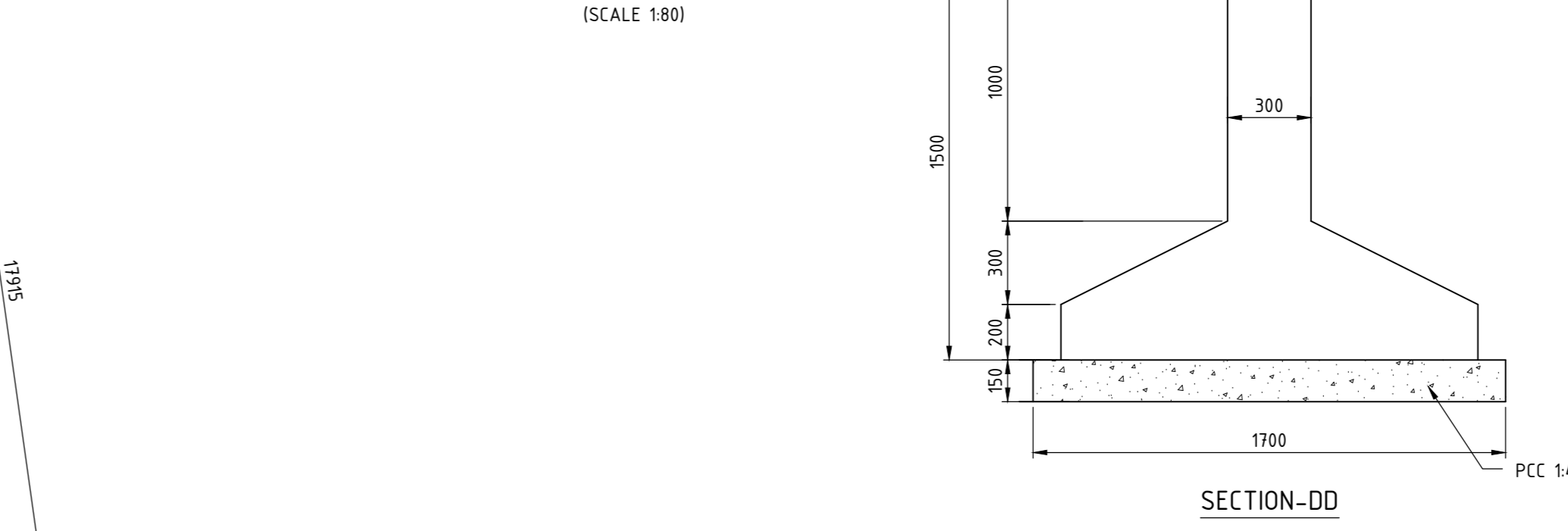


ELEVATION
(SCALE 1/100)



FOR TENDER PURPOSE ONLY



PROPOSED EXTENSION OF FIRST FLOOR OF SRI PARAMAHAMSA BHEL NURSERY & PRIMARY SCHOOL IN SURVEY NO: 219/1, 219/1A, GANDHI STREET, PAPPAKURICHI VILLAGE AND PANCHAYAT THIRUVERAMBUR UNION, TRICHY DISTRICT.

- NOTES:-
- 1) ALL DIMENSIONS ARE IN 'MM' & LEVELS ARE IN 'M'.
 - 2) DO NOT SCALE THE DRAWING. FOLLOW WRITTEN DIMENSION ONLY.
 - 3) CONCRETE GRADE M20.
 - 4) FOUNDATION IS DESIGNED FOR G+1 STOREYS ONLY.

- LEGEND:-
- D - DOUBLE LEAVED COUNTRY WOOD PANNELLED DOOR 1200 X 2100.
 - D1 - PVC PANNELLED DOOR 750 X 2100.
 - D2 - PVC PANNELLED DOOR 1000 X 2100.
 - W - GLAZED ALUMINIUM SLIDING WINDOW WITH ALUMINIUM GRILL - 1200 X 1200.
 - IWC - INDIAN WATER CLOSET
 - WT - WASH TROUGH
 - BB - BLACK BOARD
 - J - RCC JALLY 640 X 680
 - WB - WASH BASIN
 - O - OPENING - 1500X2100

AREA OF PROPOSED EXTENSION OF SCHOOL BUILDING (FIRST FLOOR) - 466.00 Sqm
 AREA OF STAIRCASE - 22.00 Sqm
 TOTAL AREA - 488.00 Sqm

TYPE OF PRODUCT OR NAME OF CUSTOMER/PROJECT		CORPORATE SOCIAL RESPONSIBILITY (CSR) SRI PARAMAHAMSA BHEL NURSERY & PRIMARY SCHOOL, KATTUR, TRICHY			
Bharat Heavy Electricals Ltd		DATE	25.02.2015		
UNIT: HIGH PRESSURE BOILER PLANT TIRUCHIRAPPALLI - 620014		DRN	K.SANTHOSH		
		CHK	P.SEEBALAKSHI		
		APPR	K.SINASEKARAN		
DATE	SCALE	WEIGHT (Kgs)	REF TO SHEET / OLD DWG	NO. OF SHEETS	NO. OF TBMS
09/11/2014	1:10, 1:20, 1:40				
TITLE		CARD CODE	DRAWING NO :		
GENERAL ARRANGEMENT OF PROPOSED EXTENSION OF FIRST FLOOR		U 01	0-TP-CEG-01688		
		REV	00		