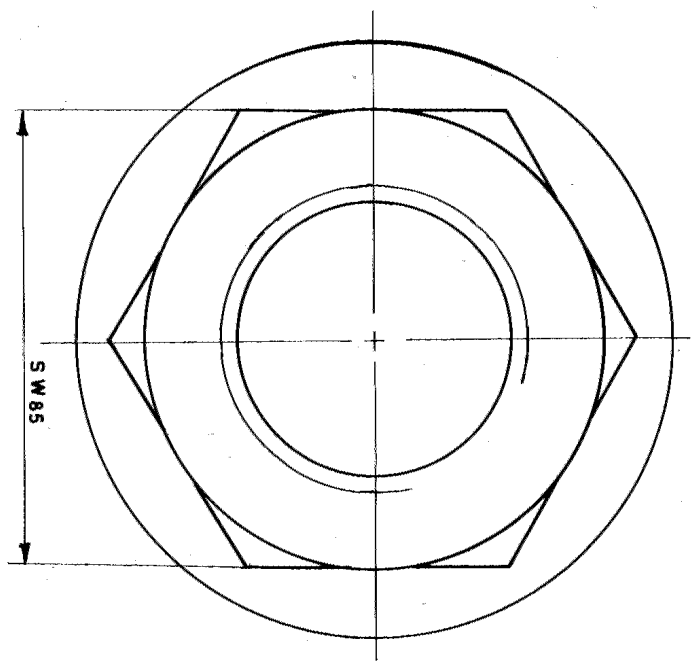
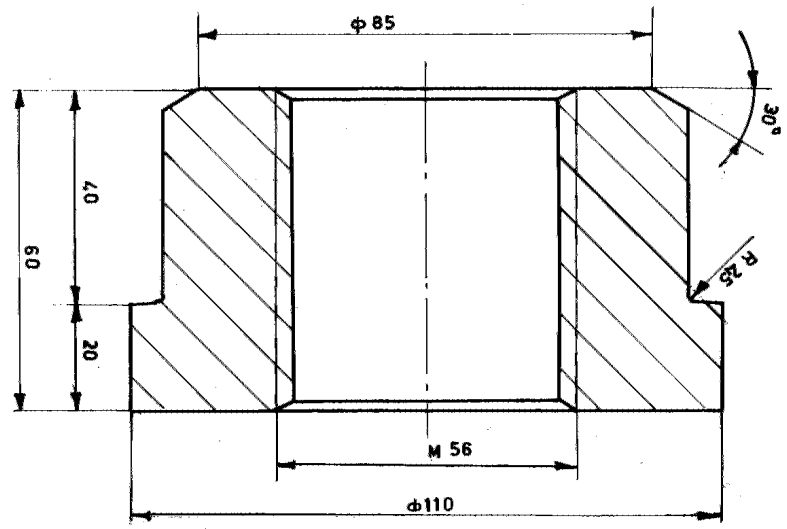


CAUTION THE INFORMATION ON THIS DOCUMENT IS THE PROPERTY OF BHARAT HEAVY ELECTRICALS LTD. IT MUST NOT BE USED DIRECTLY OR INDIRECTLY IN ANY WAY DETRIMENTAL TO THE INTEREST OF THE COMPANY.

FIRST ANGLE PROJECTION (ALL DIMENSIONS IN MILLIMETRES)



32/

REV	DATE	ALTERED	CHECKED	APPROVED
01	18-5-95	S. K. Sankar	S. K. Sankar	S. K. Sankar
MATERIAL 35CB 18:1875				
WAS C35 18:2073				

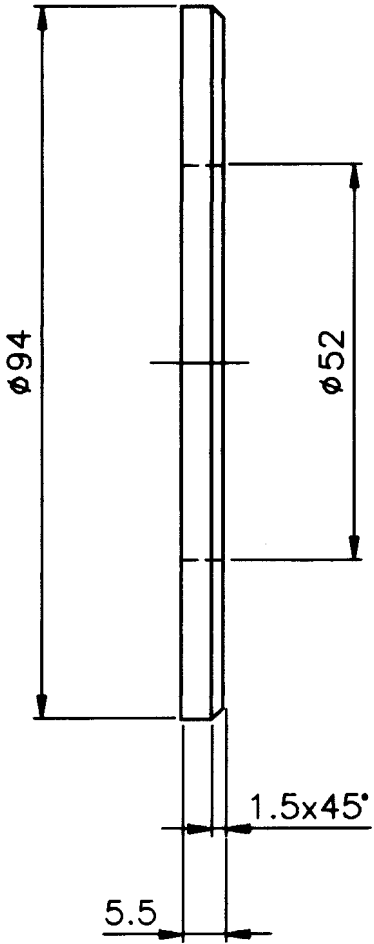
		Bharat Heavy Electricals Ltd., SEAMLESS STEEL TUBE PLANT TIRUCHIRAPALLI - 620 014	
ITEM NO.	DESCRIPTION	DRAWING NO.	
35CB	18:1875		
MATL CODE	MATL SPEC	UNIT WT	QTY
EGYPT - FACILITIES TO COLD SAW I & II			
DRN	NAME	SIGN	DATE
CHD	A. Sankar	S. K. Sankar	16-2-97
APPR			16-2-97
DEPT	GRADE OR UNTOOL. DIM C/M/P	SCALE	WEIGHT (kg)
		1:1	2.4
TITLE	CARD CODE		DRAWING NO.
NUT WITH COLLAR	U 01		3-7-117K-00-00923
REV	NO. OF ITEMS	REF TO ASSY/OLD DRG	
01		0301163-4,2,013	

ALL DIMENSIONS ARE IN MM

CAUTION: THE INFORMATION ON THIS DOCUMENT IS THE PROPERTY OF BHARAT HEAVY ELECTRICALS LTD
IT MUST NOT BE USED DIRECTLY OR INDIRECTLY IN ANYWAY DETERMINANT TO INTEREST OF THE COMPANY


REV Q1	DATE	ALTERED
		CHECKED
		APPROVED

3.2/



			Fe410WA	IS:2062
ITEM NO	DESCRIPTION	DRAWING NO	MATL CODE	UNIT WT
			MATL SPEC	QTY

EQPT: TRANSPORT FACILITIES FOR MANDRAL BAR EXTRACTOR

 Bharat Heavy Electricals Ltd SEAMLESS STEEL TUBE PLANT TIRUCHIRAPALLI - 620014	DRN	NAME S.MOHAN RAJ	SIGNATURE <i>S. Mohan Raj</i>	DATE 27.09.95
	CHD	A.AROCKIAM	<i>A. Arockiam</i>	23.12.95
	APPD	S.SHANMUGASUNDARAM	<i>S. Shanmugasundaram</i>	25.12.95

DEPT MPG	GRADE OF UNTOL DIM C/M/F	SCALE 1:1	WEIGHT (Kg) 0.21	REF TO ASSY DRG 1-7-1138-03-01529	ITEM NO 7
CODE				REF TO OLD DRG	

TITLE WASHER ø50 (EJECTION LEVER ASSY)	CARD CODE U 01	DRAWING NO : 4-7-1138-00-05271	REV 00
---	-------------------	--	-----------

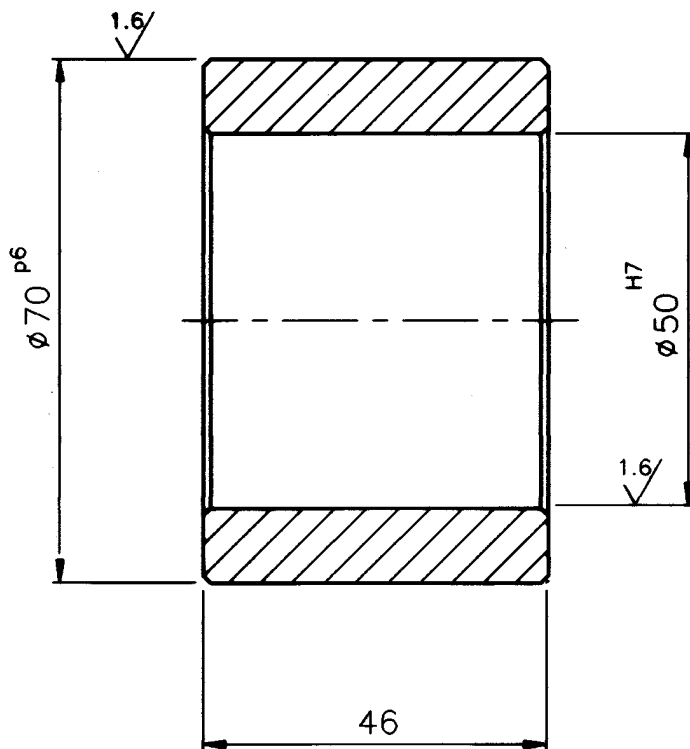
CAUTION: THE INFORMATION ON THIS DOCUMENT IS THE PROPERTY OF BHARAT HEAVY ELECTRICALS LTD
IT MUST NOT BE USED DIRECTLY OR INDIRECTLY IN ANYWAY DETERMINAL TO INTEREST OF THE COMPANY

ALL DIMENSIONS ARE IN MM


REV	DATE	ALTERED
01		CHECKED
		APPROVED

3.2/1.6/

ø 70 p6	+0.051
	+0.032
ø 50 H7	+0.025
	0



SHARP CORNERS TO BE CHAMFERED BY 1x45°

				PCuSn7 IS:28		
ITEM NO	DESCRIPTION	DRAWING NO	MATL CODE		UNIT WT	
			MATL SPEC		QTY	
EQPT: TRANSPORT FACILITIES FOR MANDRAL BAR EXTRACTOR						
 Bharat Heavy Electricals Ltd SEAMLESS STEEL TUBE PLANT TIRUCHIRAPALLI - 620014		DRN	NAME	SIGNATURE	DATE	
		CHD	S.MOHAN RAJ	<i>S. Mohan Raj</i>	27.09.95	
		APPD	A.AROCKIAM	<i>A. Arockiam</i>	31.10.95	
			S.SHANMUGASUNDARAM	<i>S. Shanmugasundaram</i>	31.10.95	
DEPT	GRADE OF UNTOL. DIM	SCALE	WEIGHT (Kg)	REF TO ASSY DRG	ITEM NO	
MPG	C/M/F	1:1	0.68	1-7-1138-00-01529	6	
CODE				REF TO OLD DRG		
TITLE			CARD CODE	DRAWING NO :	REV	
BUSH (EJECTION LEVER ASSY)			U 01	4-7-1138-00-05272	00	

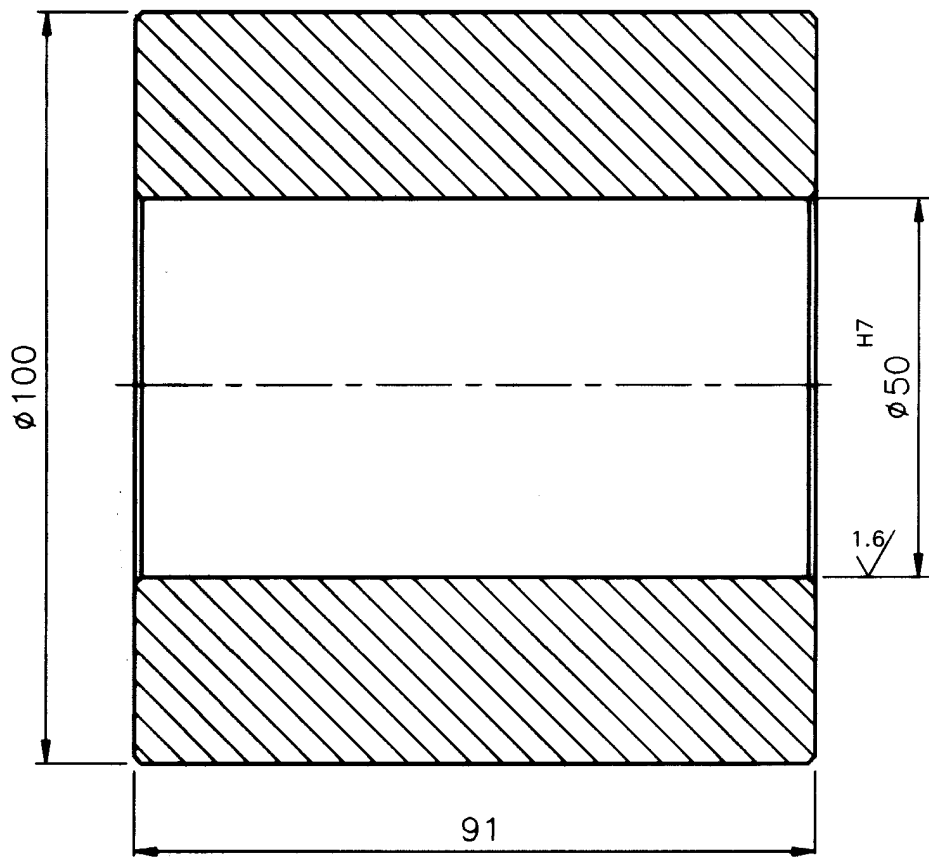
CAUTION: THE INFORMATION ON THIS DOCUMENT IS THE PROPERTY OF BHARAT HEAVY ELECTRICALS LTD
IT MUST NOT BE USED DIRECTLY OR INDIRECTLY IN ANYWAY DETERMINANT TO INTEREST OF THE COMPANY

ALL DIMENSIONS ARE IN MM

REV 01	DATE	ALTERED
		CHECKED
		APPROVED

3.2/1.6/


φ50 H7	+0.025
	0



SHARP CORNERS TO BE CHAMFERED BY 1x45°

ITEM NO	DESCRIPTION	DRAWING NO	30C8 IS:1875	UNIT WT
			MATL CODE	QTY
			MATL SPEC	

EQPT: TRANSPORT FACILITIES FOR MANDREL BAR EXTRACTOR

	Bharat Heavy Electricals Ltd SEAMLESS STEEL TUBE PLANT TIRUCHIRAPALLI - 620014	DRN	NAME S.MOHAN RAJ	SIGNATURE <i>S. Mohan Raj</i>	DATE 28.10.95
		CHD	A.AROCKIAM	<i>A. Arockiam</i>	30-10-95
		APPD	S.SHANMUGASUNDARAM	<i>S. Shanmugasundaram</i>	31/10/95

DEPT MPG	GRADE OF UNTOL DIM C/M/F	SCALE 1:1	WEIGHT (Kg) 4.2	REF TO ASSY DRG 1-7-1138-00-01529	ITEM NO 5
CODE				REF TO OLD DRG	

TITLE SPACER (EJECTION LEVER ASSY)	CARD CODE U 01	DRAWING NO : 4-7-1138-00-05273	REV 00
---	-------------------	--	-----------

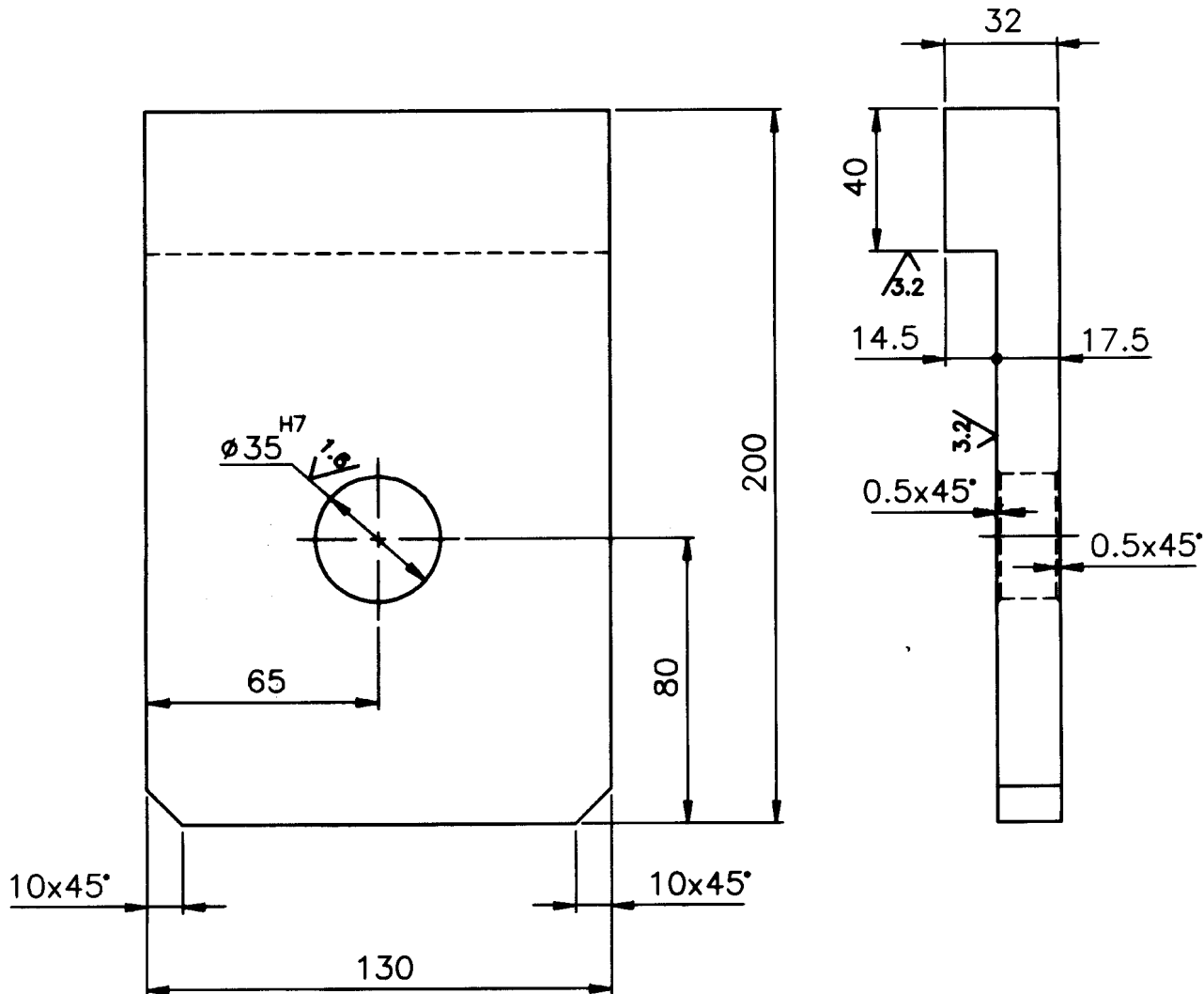
ALL DIMENSIONS ARE IN MM

CAUTION: THE INFORMATION ON THIS DOCUMENT IS THE PROPERTY OF BHARAT HEAVY ELECTRICALS LTD
IT MUST NOT BE USED DIRECTLY OR INDIRECTLY IN ANYWAY DETERMINANT TO INTEREST OF THE COMPANY

REV 9	DATE	ALTERED
		CHECKED
		APPROVED

$\sqrt{1.6}, \sqrt{3.2}$

Ø 35 H7	+0.025
	0



ITEM NO	DESCRIPTION	DRAWING NO	Fe410WB IS:2062	UNIT WT
			MATL CODE	QTY
			MATL SPEC	

EQPT: TRANSPORT FACILITIES FOR MANDREL BAR EXTRACTOR

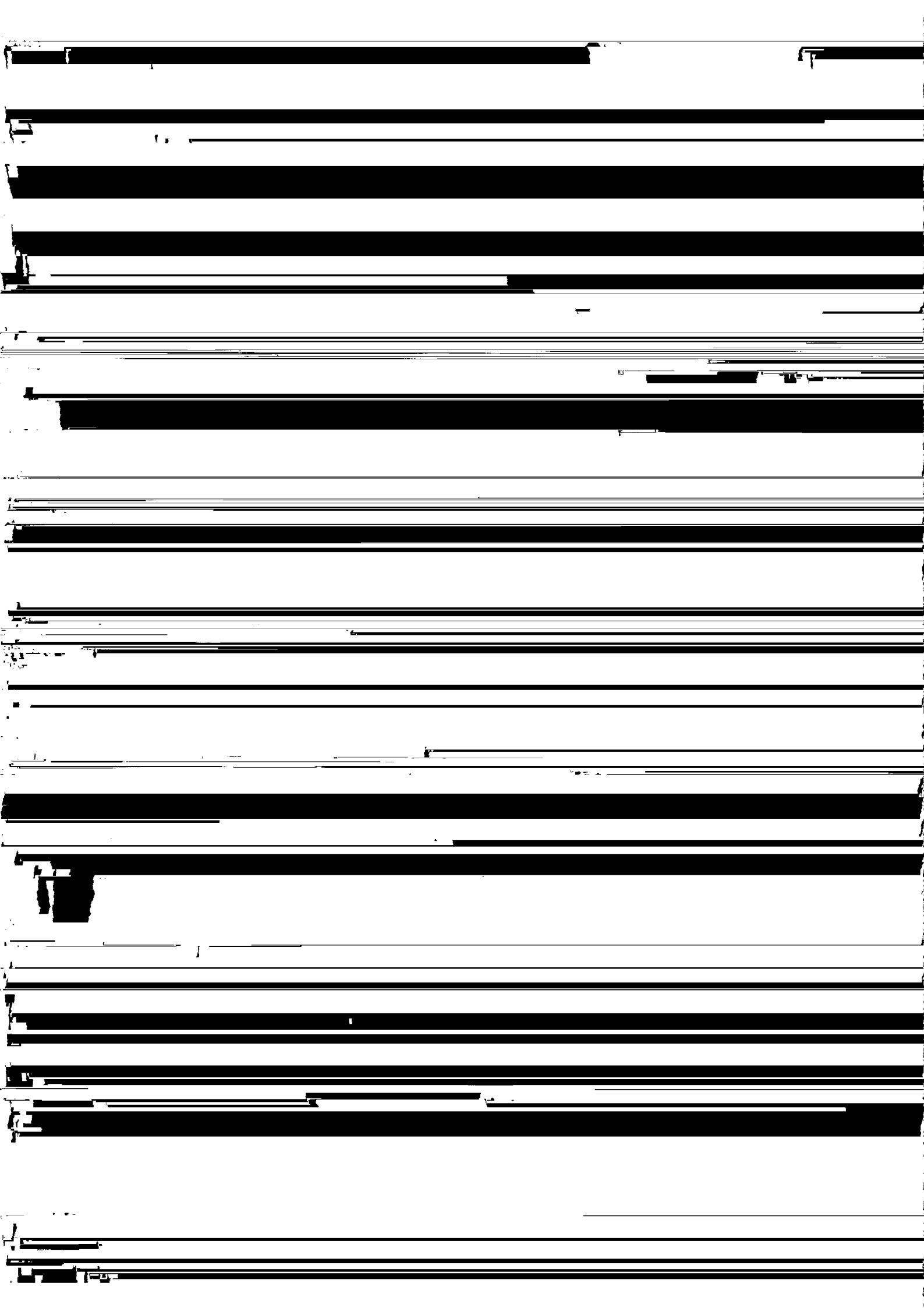


Bharat Heavy Electricals Ltd
SEAMLESS STEEL TUBE PLANT
TIRUCHIRAPALLI - 620014

DRN	NAME S. MOHAN RAJ	SIGNATURE <i>S. Mohan Raj</i>	DATE 28.10.95
CHD	AAROCKIAM	<i>A. Arockiam</i>	23/12/95
APPD	S. SHANMUGASUNDARAM	<i>S. Shanmugasundaram</i>	25/12/95

DEPT MPG	GRADE OF UNTOL. DIM C/M/F	SCALE 1:2	WEIGHT (Kg) 4,-	REF TO ASSY DRG 3-7-1138-00-03932	ITEM NO 2
CODE				REF TO OLD DRG	

TITLE HINGE PLATE (EJECTION LEVER ASSY)	CARD CODE U 01	DRAWING NO : 4-7-1138-00-05274	REV 00
--	----------------------	--	-----------



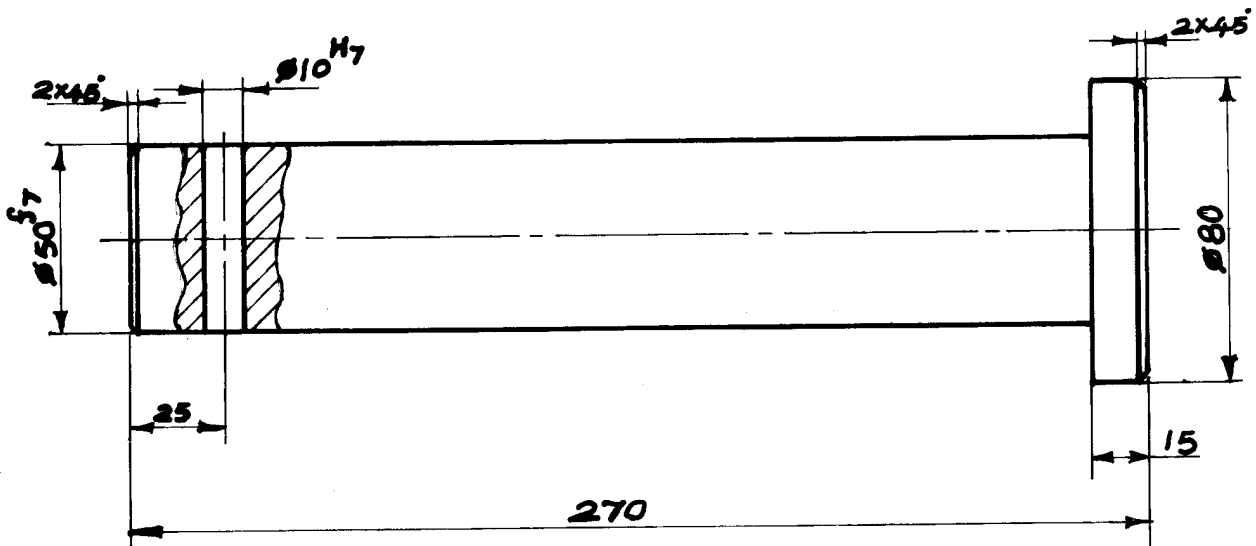
ALL DIMENSIONS ARE IN MM

CAUTION: THE INFORMATION ON THIS DOCUMENT IS THE PROPERTY OF BHARAT HEAVY ELECTRICALS LTD
IT MUST NOT BE USED DIRECTLY OR INDIRECTLY IN ANYWAY DETERMINANT TO INTEREST OF THE COMPANY

REV	DATE	ALTERED
		CHECKED
		APPROVED

0.8

$\phi 10$	H_7	+0.015
		0
$\phi 50$	f_7	-0.025
		-0.050



			15:1875	
			45C8	
ITEM NO	DESCRIPTION	DRAWING NO	SPARE CODE NO	UNIT WT
			MATL SPEC	QTY

EQPT: STOPPER FOR HEAD CROPS AND LENTH CUTS.

	Bharat Heavy Electricals Ltd SEAMLESS STEEL TUBE PLANT TIRUCHIRAPALLI - 620014	DRN	NAME X.M.T.A.SATHEESH	SIGNATURE <i>X.M.T.A. Satheesh</i>	DATE 29.1.99
		CHD	A.AROCKIAM	<i>A. Arockiam</i>	29.1.99
		APPD		<i>[Signature]</i>	29.01.99

DEPT	GRADE OF UNTOL. DIM C/M/F	SCALE 1:2	WEIGHT (Kg) 4.5	REF TO ASSY DRG	ITEM NO
CODE				REF TO OLD DRG	

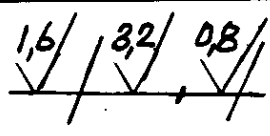
TITLE PIN Ø 50 (LENGTH STOPPER ASSY)	CARD CODE U 01	DRAWING NO : 4-7-1169-00-05776	REV 00
--	-------------------	--	-----------

FIRST ANGLE PROJECTION (ALL DIMENSIONS IN MILLIMETRES)

05-249 / B

CAUTION THE INFORMATION ON THIS DOCUMENT IS THE PROPERTY OF BHARAT HEAVY ELECTRICALS LTD. IT MUST NOT BE USED DIRECTLY OR INDIRECTLY IN ANY WAY DETRIMENTAL TO THE INTEREST OF THE COMPANY.

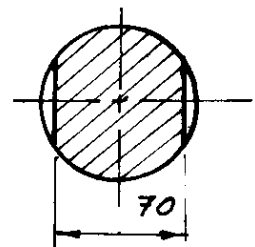
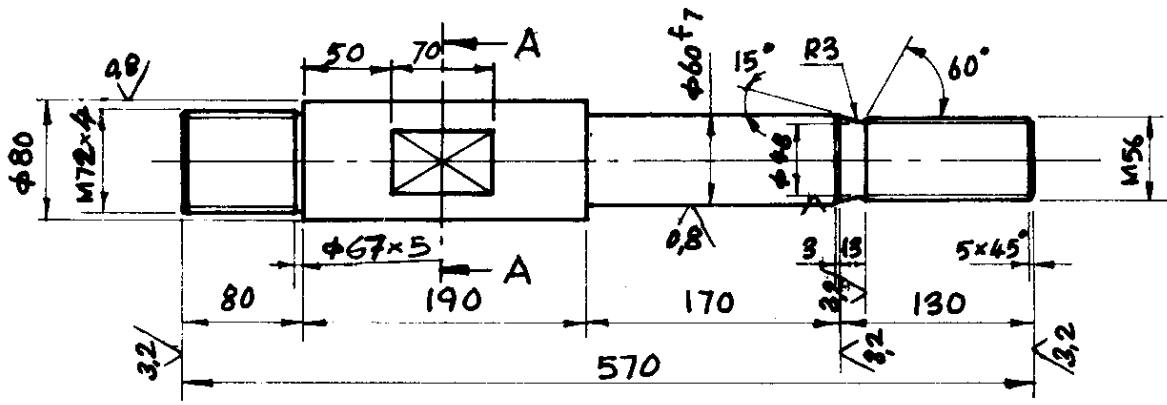
REV 01	DATE 18-5-91	ALTERED S. Sankar	APPROVED [Signature]
		CHECKED J. Ummi	
ZONE	MATERIAL 45 CB 15:1B75 WAS C45 15:2073		



REV 02	DATE 22-11-96	ALD: - [Signature]	
		CHD: - J. Ummi	
		APPD: - [Signature]	

$\phi 60 f7$	-0.030
	-0.060

THRAD SIZE M72 WAS
M72x2. U/C $\phi 67 \times 5$
WAS $\phi 70 \times 5$



SECTION-AA

FOR ORIGINAL VERSION REFER DRG. NO: 3-7-1174-05-02117

	ROUND $\phi 100 \times 600$	45CB 15:1B75	2
ITEM NO.	DESCRIPTION	MATL CODE	UNIT WT
		MATL SPEC	QTY

EQPT: FACILITIES TO COLD SAW I & II



Bharat Heavy Electricals Ltd.,
SEAMLESS STEEL TUBE PLANT
TIRUCHIRAPALLI-620 014

DRN	NAME S.S.N.KUMAR	SIGN [Signature]	DATE 5.12.82
CHD	[Signature]		29.6.91
APPD			29.6.91

DEPT	GRADE OF UNTOL. DIM C/M/F	SCALE 1:5	WEIGHT (kg) 17,2	REF TO ASSY/OLD DRG 0301163-42,004.	ITEM NO.
------	---------------------------	-----------	------------------	-------------------------------------	----------

TITLE PIN - LENGTH STOPPER BUFFER	CARD CODE U 01	DRAWING NO. 4-7-1174-00-02646	REV 02
---	-------------------	---	------------------

FIRST ANGLE PROJECTION (ALL DIMENSIONS IN MILLIMETRES)

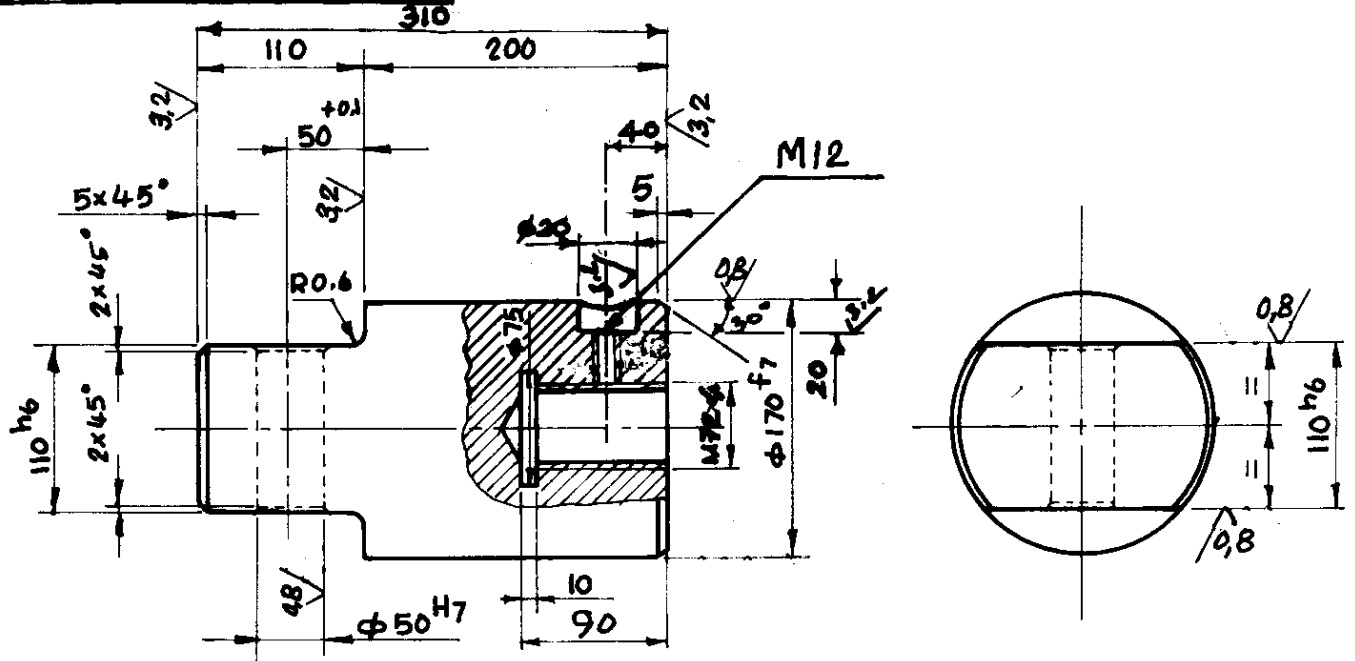
REV 01	DATE 10-5-84	ALTERED	APPROVED	REV 02	DATE 18-5-85	ALTERED S. S. N. KULIAR	APPROVED
ZONE		MATL. CHANGED TO IS SPECIFICATION		MATERIAL 45CB IS:1875 WAS C45 IS:2073			

1.6 (3.2, 0.8)

$\phi 170 f7$	-0.043
	-0.083
110 h6	0
	-0.022
$\phi 50 H7$	+0.025
	0

REV 03	DATE 22-11-86	ALD: S. S. N. KULIAR	APPROVED
		CHD: J. J. MANI	
		APPR: J. J. MANI	

THREAD M72x4 WAS M72x2 AND M12 THREAD ADDED FOR LOCKING



NOTE:-

USE HEX-SOCKET HEAD GRUB SCREW M12X30 FOR LOCKING

FOR ORIGINAL VERSION REFER DRG-NO:- 3-7-1174-05-02117

ITEM NO.	DESCRIPTION	MATL CODE	UNIT WT
	$\phi 200 \times 330$ ROUND.	45 CB 18:1875	2
		MATL SPEC	QTY

EQPT: FACILITIES TO COLD SAW I & II



Bharat Heavy Electricals Ltd.,
SEAMLESS STEEL TUBE PLANT
TIRUCHIRAPALLI-620 014

DRN	NAME S. S. N. KULIAR	SIGN	DATE 5-12-82
CHD	J. J. MANI		5.12.82
APPD			6.12.82

DEPT CODE	GRADE OF UNTOL. DIM C/M/F	SCALE 1:5	WEIGHT (kg) 48.0	REF TO ASSY/OLD DRG 0301163-42,004	ITEM NO.
-----------	---------------------------	-----------	------------------	------------------------------------	----------

TITLE PIN EXTENSION - LENGTH STOPPER BUFFER	CARD CODE U 01	DRAWING NO. 4-7-1174-00-02647	REV. 03
---	-------------------	---	-------------------

05-249/B

CAUTION THE INFORMATION ON THIS DOCUMENT IS THE PROPERTY OF BHARAT HEAVY ELECTRICALS LTD. IT MUST NOT BE USED DIRECTLY OR INDIRECTLY IN ANY WAY DETRIMENTAL TO THE INTEREST OF THE COMPANY.