

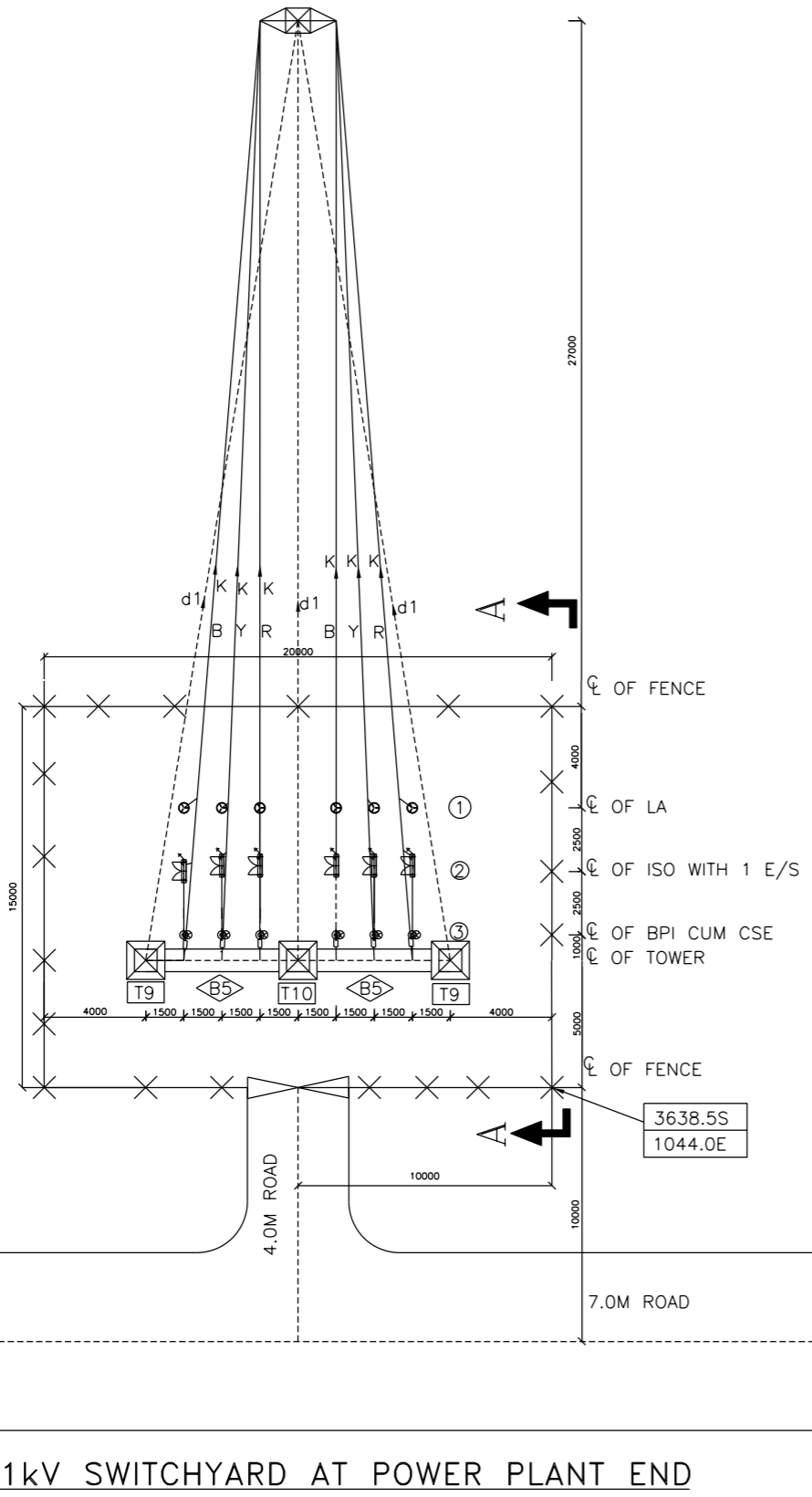
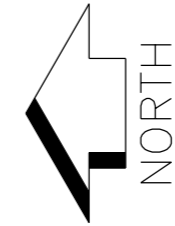
COPY RIGHT AND CONFIDENTIAL
The information on this document is the property of BHARAT HEAVY ELECTRICALS LIMITED.
It must not be used directly or indirectly in any way detrimental to the interest of the company.

COMPUTER DRG. PATH NAME :

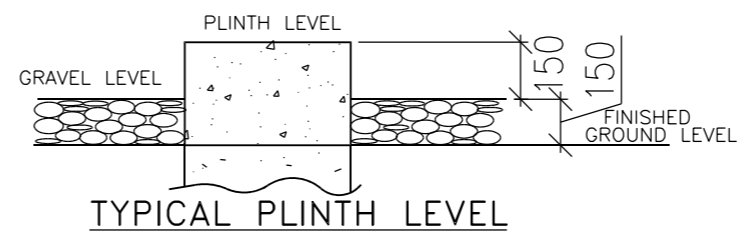
REF. DRG. No.

SIGN. & DATE

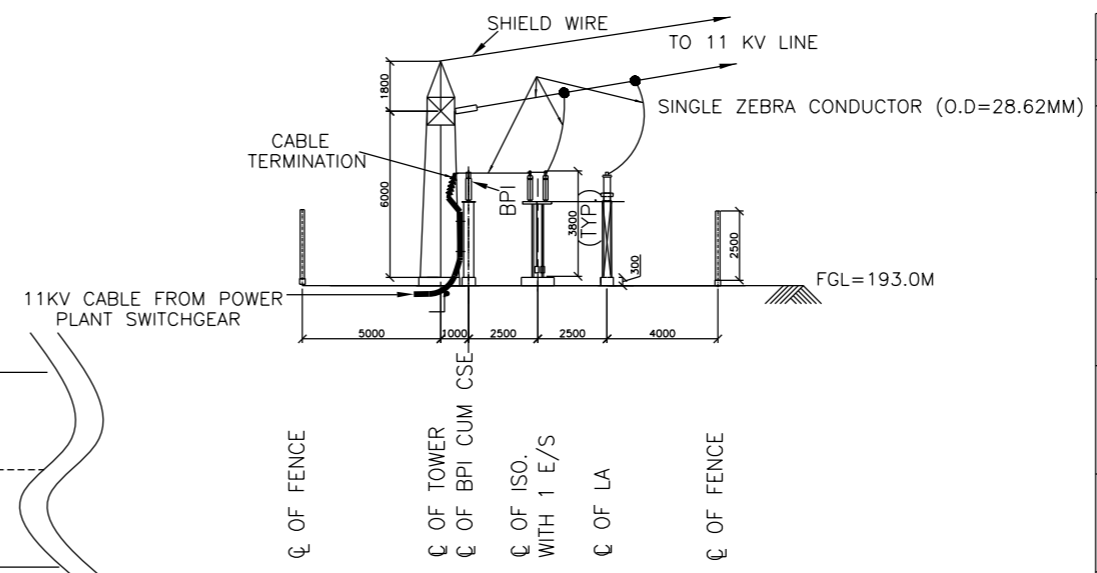
INVENTORY No.



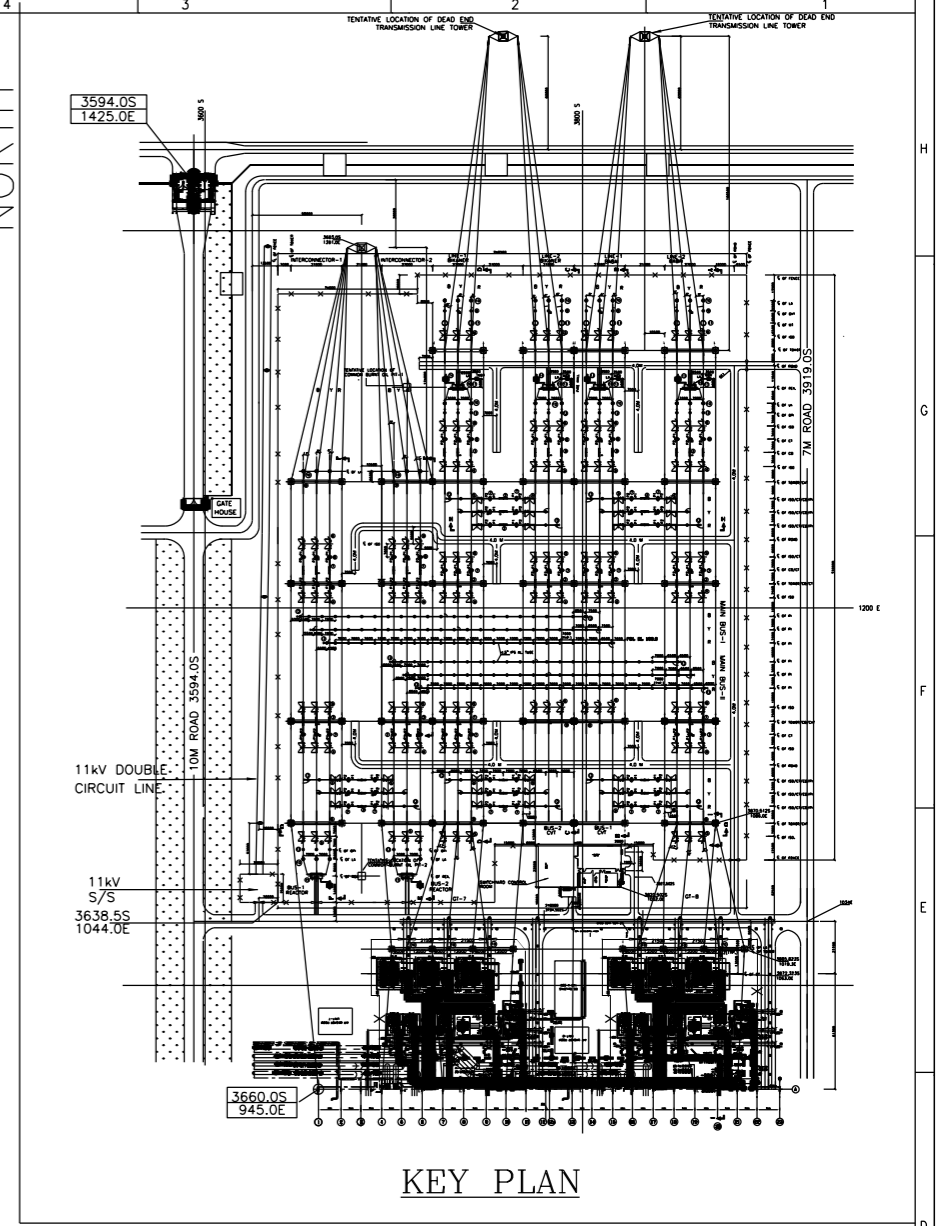
11kV SWITCHYARD AT POWER PLANT END



TYPICAL PLINTH LEVEL



SECTION A-A



KEY PLAN

REV.	DATE	REASONS FOR REVISION	DRN.	PREPARED BY	CHECKED BY	APPROVED BY
OWNER: RAJASTHAN RAJYA VIDYUT UTPADAN NIGAM LIMITED						
PROJECT: 2X660MW THERMAL POWER PLANT, SURAT GARH STAGE -V, UNIT 7 & 8 AT SURATGARH, RAJASTHAN						
OWNER'S ENGINEER: TATA CONSULTING ENGINEERS LIMITED						
EPC CONTRACTOR: BHARAT HEAVY ELECTRICALS LTD TRANSMISSION BUSINESS GROUP						
DEPT CODE	NAME	SIGN.	DATE			
422	DRN MS		17.07.14			
	DESN SK					
	CHD SKS					
	APPD RS					
TITLE: LAYOUT PLAN AND ELEVATION OF 11kV S/S AT SURATGARH						
CV	ME	EL	I&C	DEPT. SCALE 1:600	BHEL/SUB VENDOR DRG NO. TB-3-360-316-016	
				SIGN		
				DATE	SHT. No 02 OF 03 REV. 00	