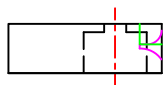
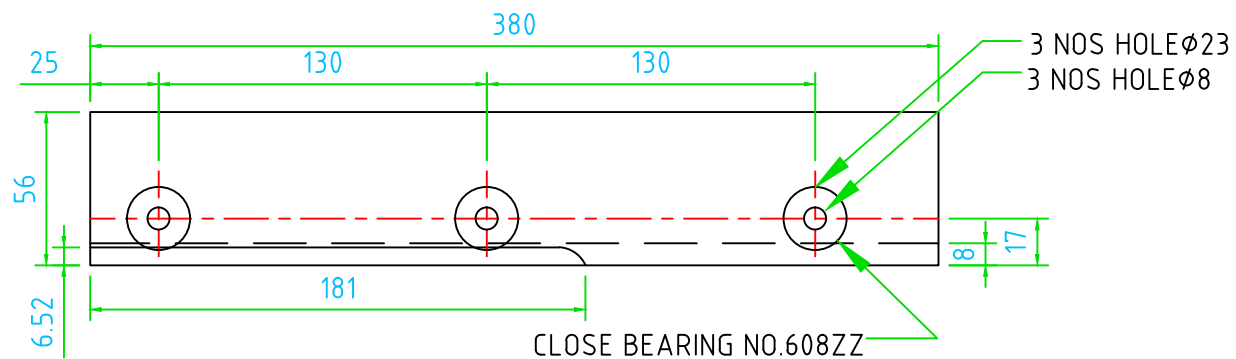


1-L

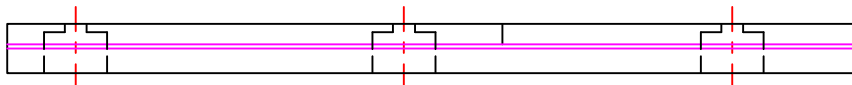
1-R

MIRROR IMAGE

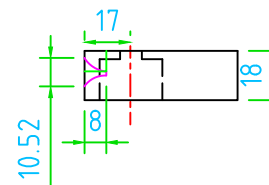
TOP



SIDE



FRONT



SIDE

NOTE:

AS PER SHEET 10 OF 21

FILE NAME GUIDE FOR CNC GEORG #1077 BAY-5	FSCM NO	SHEET 12 OF 21	SCALE NTS
SIZE A4		BHARAT HEAVY ELECTRICALS LTD.JHANSI	
DRAWN 31-10-2014 ANAND KUMAR		GUIDE WAY FOR GEORG # 1077	
CHECK V.K. GUPTA		GUIDE 1L&1R	
APPR. NITIN GAUR		DWG NO	
ISSUED		-BHEL/JHS/WE&S/A4 -1926	
REV 01			
CONTRACT NO			