

THE INFORMATION ON THIS DOCUMENT IS THE PROPERTY OF BHARAT HEAVY ELECTRICALS LIMITED. IT MUST NOT BE USED DIRECTLY OR INDIRECTLY IN ANY WAY DETRIMENTAL TO THE INTEREST OF THE COMPANY.

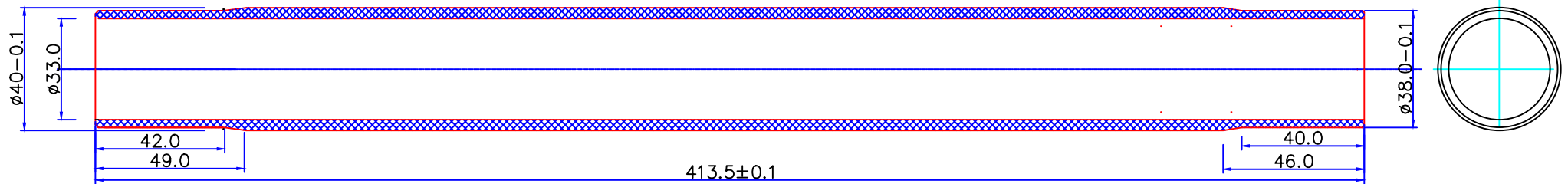
VAR.00	REMARKS	VAR. NO.	ITEM NO.	DESCRIPTION	STD.	DRAWING NO.	IT.NO.	MATL. CODE	A	C	UNIT	UNIT WT.	QTY.	GS	ZONE
			01	PULL TUBE		RD DG 4 35 0517 2015		POLESTER/KEVLAR				01			
			02	TOP PLUG		RD DG 4 35 0517 2016		Al. Alloy				01			
			03	BOTTOM CAP		RD DG 4 35 0517 2017		AL. Alloy				01			

TYPE OF PRODUCT		GSM-245					
NAME OF CUSTOMER		GSM-245					
	BHARAT HEAVY ELECTRICALS LTD.		DRN	NAME	SIGN.	DATE	NO. OF
	HYDERABAD		CKD	NSK		21.01.14	VAR.
			APPD	BSM		21.01.14	
			MMRAO		21.01.14		
DEPT.	GRADE OF TOL. DIM. C/M/F	SCALE	01 NTS	WEIGHT(KG)	REF. TO	ITEM NO.	NO. OF
CODE					RD DG 4 35 0517 2000	1	ITEMS
TITLE		DS Pull Tube Assy.		CARD CODE	DRAWING NO.	REV.	
					RD DG 4 35 0517 2014		
				SHEET NO.	NO. OF SHEETS		

REV.	DATE	ALTERED CHECKED	REV.	DATE	ALTERED CHECKED
ZONE			ZONE		

INVENTORY NO. SIGN. AND DATE REF. DRG. NO.

THE INFORMATION ON THIS DOCUMENT IS THE PROPERTY OF BHARAT HEAVY ELECTRICALS LIMITED. IT MUST NOT BE USED DIRECTLY OR INDIRECTLY IN ANY WAY DETRIMENTAL TO THE INTEREST OF THE COMPANY.



Note:

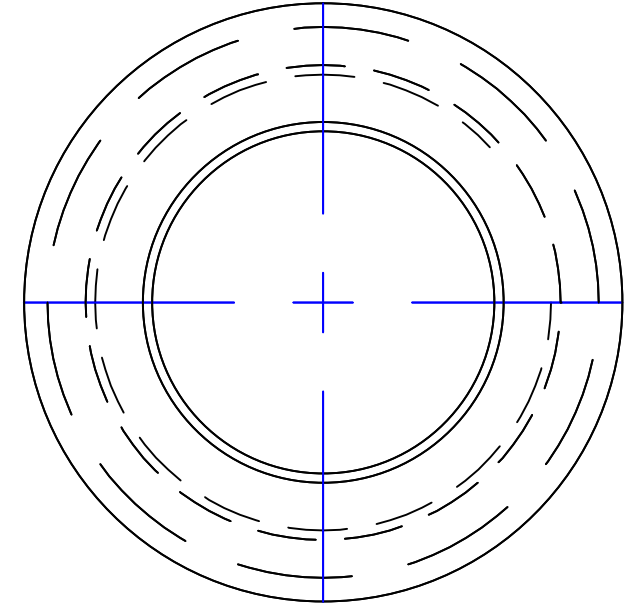
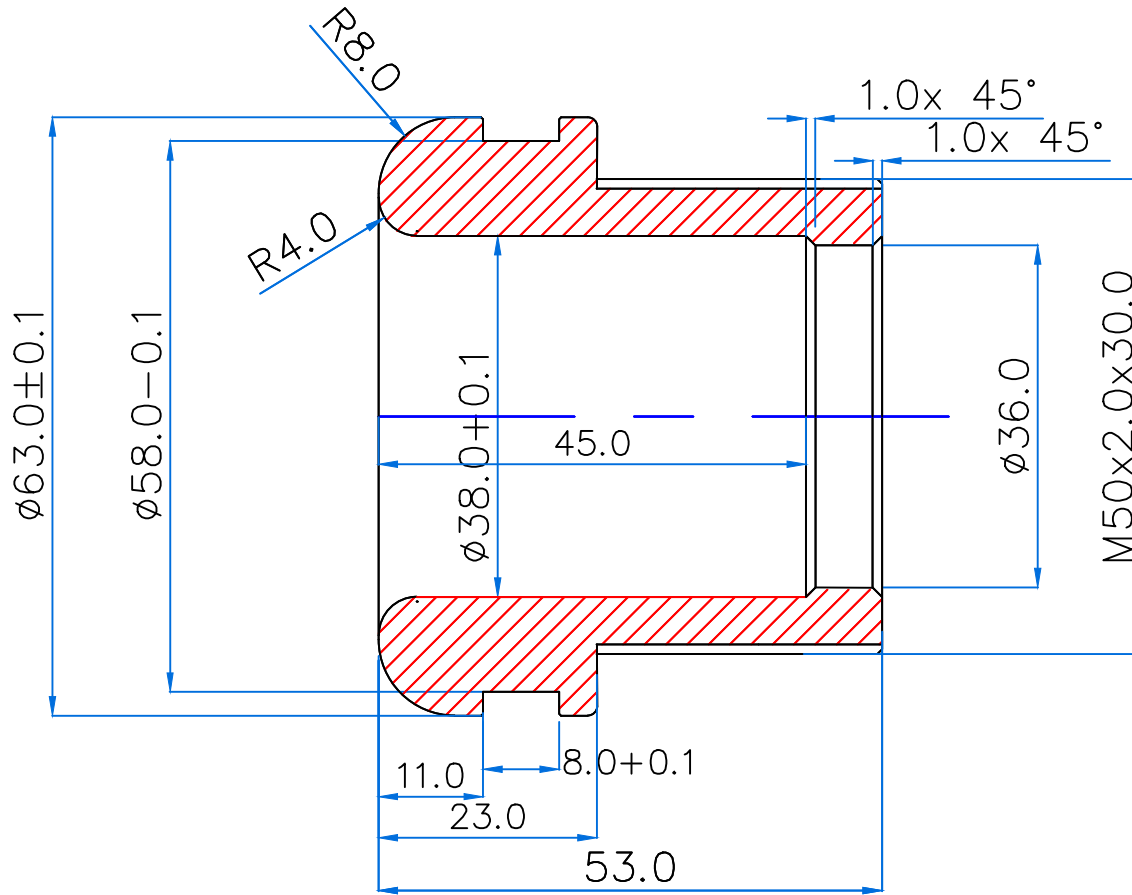
Tube Either ends shall be machined to suit to Top plug and Bottom Cap.

VAR.00	REMARKS	VAR. NO.	ITEM NO.	DESCRIPTION	STD.	DRAWING NO.	IT.NO.	MATL. CODE	A	C	UNIT	UNIT WT.	QTY.	GS	ZONE
			01	∅ 40x415 TUBE									01		

TYPE OF PRODUCT		GSM-245			
NAME OF CUSTOMER		Bharat Heavy Electricals Ltd.			
HYDERABAD		DRN	NAME	SIGN.	DATE
		CKD	NSK		21.01.14
		APPD	BSM		21.01.14
			MMRAO		21.01.14
DEPT.	GRADE OF TOL. DIM. C/M/F	SCALE	WEIGHT(KG)	REF. TO	ITEM NO.
		01 NTS		RD DG 4 35 0517 2000	1
CODE				DRAWING NO.	REV.
				RD DG 4 35 0517 2015	
TITLE		CARD CODE		SHEET NO.	
PULL TUBE				NO. OF SHEETS	

REV.	DATE	ALTERED	REV.	DATE	ALTERED
		CHECKED			CHECKED
ZONE			ZONE		

INVENTORY NO. SIGN. AND DATE REF. DRG. NO.



THE INFORMATION ON THIS DOCUMENT IS THE PROPERTY OF BHARAT HEAVY ELECTRICALS LIMITED. IT MUST NOT BE USED DIRECTLY OR INDIRECTLY IN ANY WAY DETRIMENTAL TO THE INTEREST OF THE COMPANY.

REF. DRG. NO.

SIGN. AND DATE

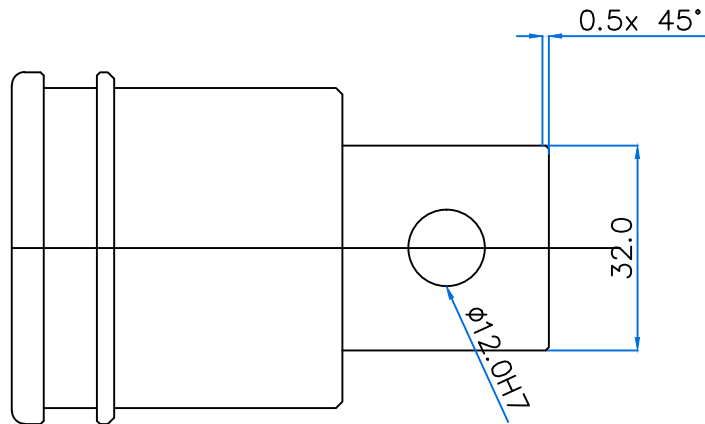
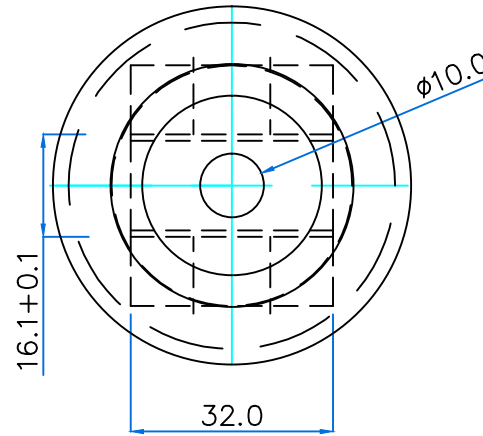
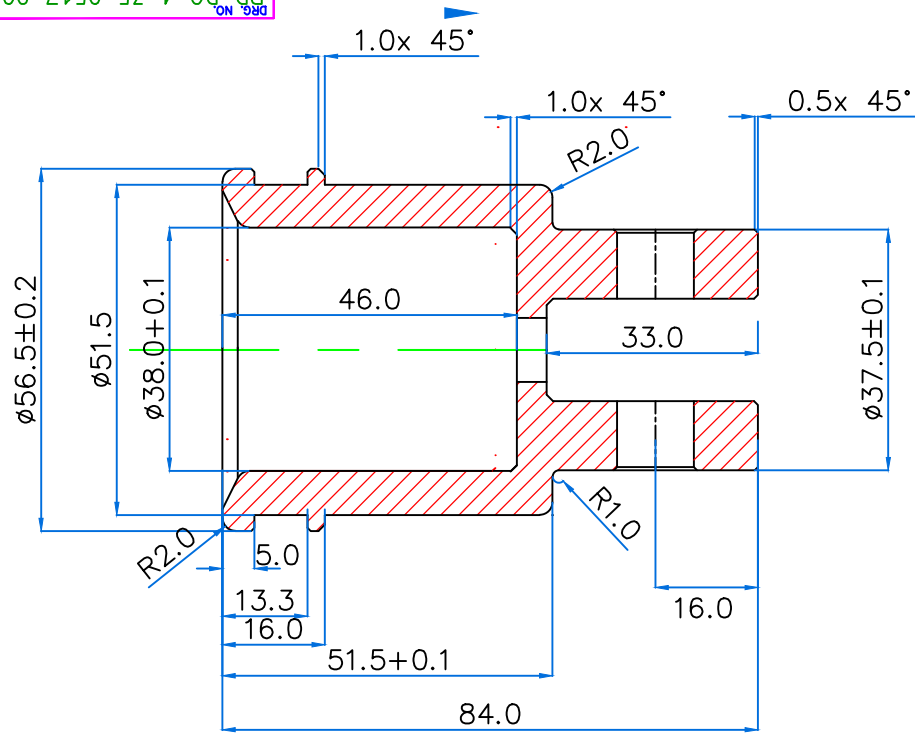
INVENTORY NO.

ALL SHARP EDGES SHALL BE MACHINED TO 0.4X45°
 OUTER SURFACE OF THE COMPONENT SHALL BE FINISHED TO MIN. OF RA 1.6

02	TOP PLUG	Ø70x60 long rod	Al. Alloy	01											
VAR.00	REMARKS	VAR NO.	ITEM NO.	DESCRIPTION	STD	DRAWING NO.	IT.NO.	MATL. CODE	A	C	UNIT	UNIT WT.	QTY.	US	ZONE

TYPE OF PRODUCT		GSM-245													
NAME OF CUSTOMER		BHARAT HEAVY ELECTRICALS LTD. HYDERABAD													
DRN	NAME	SIGN.	DATE	NO.OF											
CKD	NSK		21.01.14	VAR.											
APPD	BSM		21.01.14												
	MMRAO		21.01.14												
DEPT.	GRADE	TOL.	DIM.	SCALE	01	WEIGHT(KG)	REF. TO	ITEM	NO.	NO.OF					
CODE	C/M/F	Ø	NTS				RD DG 4 35 0517 2014	NO.	1	ITEMS					
TITLE							DRAWING NO.		REV.						
TOP PLUG							RD DG 4 35 0517 2016								
							SHEET NO.		NO. OF SHEETS						

REV.	DATE	ALTERED	DATE	ALTERED
		CHECKED		CHECKED
ZONE			ZONE	



VAR.00	REMARKS	VAR NO.	ITEM NO.	DESCRIPTION	STD	DRAWING NO.	IT.NO.	MATL. CODE	A	C	UNIT	UNIT WT.	QTY.	CS	ZONE
			01	AL. BLANK		RD DG 4 35 0517 2017		AL. Alloy				01			

ALL SHARP EDGES SHALL BE MACHINED TO 0.4X45°
 OUTER SURFACE OF THE COMPONENT SHALL BE FINISHED TO MIN. OF RA 1.6

TYPE OF PRODUCT		GSM-245													
NAME OF CUSTOMER		GSM-245													
	NAME	NSK	SIGN.	DATE	NO. OF										
	CKD	BSM		21.01.14	VAR.										
	APPD	MMRAO		21.01.14											
DEPT.	GRADE OF TOL. DIM. C/M/F	SCALE	WEIGHT(KG)	REF. TO	ITEM NO.	NO. OF									
		01 NTS		RD DG 4 35 0517 2014	1	ITEMS									
TITLE		CARD CODE		DRAWING NO.		REV.									
BOTTOM CAP				RD DG 4 35 0517 2017											
SHEET NO.		NO. OF SHEETS													

REV.	DATE	ALTERED CHECKED	REV.	DATE	ALTERED CHECKED
ZONE			ZONE		

THE INFORMATION ON THIS DOCUMENT IS THE PROPERTY OF BHARAT HEAVY ELECTRICALS LIMITED. IT MUST NOT BE USED DIRECTLY OR INDIRECTLY IN ANY WAY DETRIMENTAL TO THE INTEREST OF THE COMPANY.

REF. DRG. NO.

SIGN. AND DATE

INVENTORY NO.