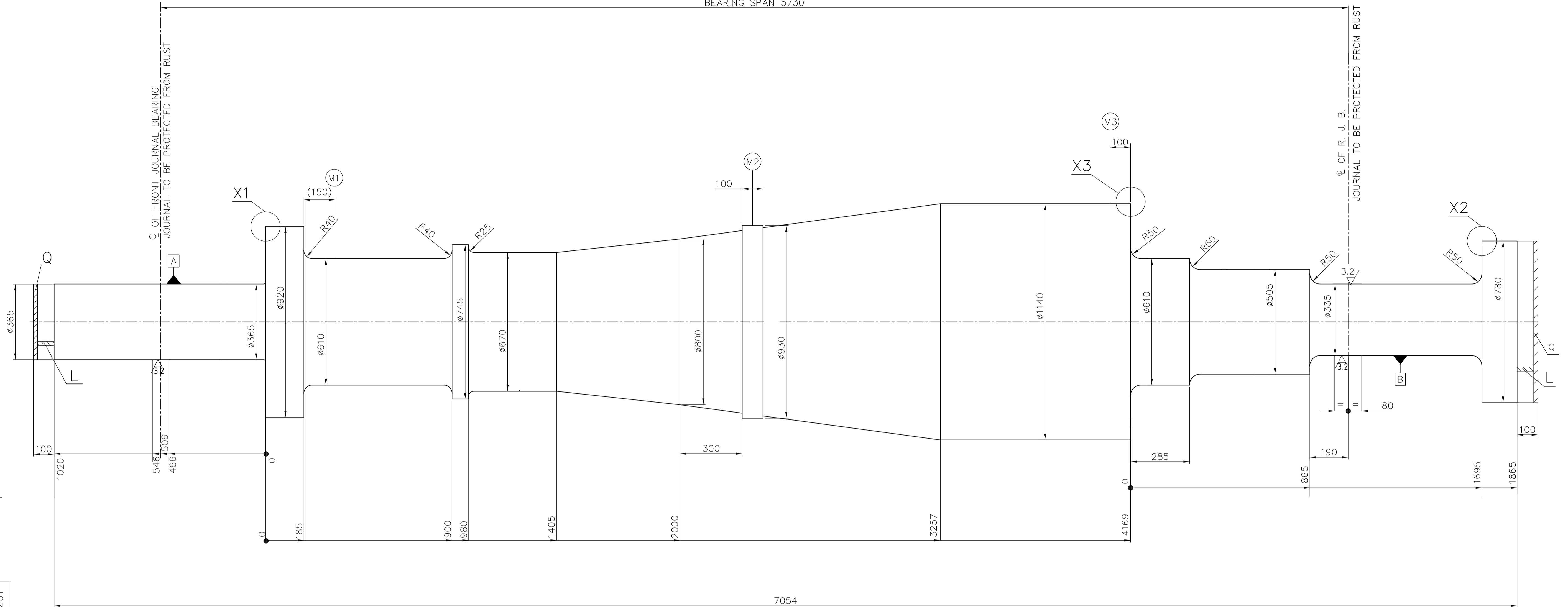
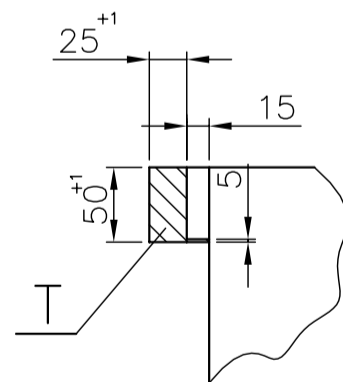


BEARING SPAN 5730



DETAIL - X1, X2, X3 (MIRROR IMAGE)



(M1) (M2) (M3) MEASURING LOCATIONS FOR THERMAL STABILITY TEST

EXACT LOCATION IN THE MEASURING LOCATION IS TO BE DECIDED BY THE SUPPLIER.

NOTES: -

1. ROTOR FORGING TO BE SUPPLIED AS PER PURCHASE SPECIFICATION NO:HY19473
 2. UNMENTIONED RADII R=10.
 3. TOLERANCES OF DIMENSIONS: UPTO 500mm ±1mm.
OVER 500mm ±2mm.
- L = LONGITUDINAL TEST PIECE.
T = TANGENTIAL TEST PIECE.
Q = RADIAL TEST PIECE.

MATERIAL CODE: TC9507350209
MATERIAL : 30 CrMoNiV 511.
MATERIAL SPECIFICATION : HY19473
TURBINE TYPE: HNK71/3.2/32-4

00
VAR

TYPE OF PRODUCT OR NAME OF CUSTOMER/PROJECT		NAME		SIGN.	DATE	NO. OF VAR.
Bharat Heavy Electricals Ltd. Hyderabad		P.M.RAO			24.5.03	
CHD.		M.R.B			24.5.03	
APPD.		M.R.B			24.5.03	
DEPT. I.T.D. DEPT. CODE 415	UNTO. DIMS. GR. G/M/F	SCALE	WEIGHT (KG)	REF. TO ASSY. DRG.	ITEM NO.	NO. OF ITEMS
			23205	-N.A.-	-N.A.-	-N.A.-
TITLE		CARD CODE	DRAWING NO.		REV.	
ROTOR (FORGING)		N.A.	1-303-01-20066:03		1	
		SHT. No 1	NO. OF SHT. 1			

GENERAL DIMENSIONAL LIMITS, FITS & TOLERANCES AS PER HY0230261

THE INFORMATION ON THIS DOCUMENT IS THE PROPERTY OF BHARAT HEAVY ELECTRICALS LIMITED. IT MUST NOT BE USED DIRECTLY OR INDIRECTLY IN ANY WAY DETRIMENTAL TO THE INTEREST OF THE COMPANY