



		INSERT W=6& OTHER CONSUMABLE FOR ROUGH & FINISH GROOVING OF T-PORION OF T TYPE BLADE GROOVE ON ROTOR. TOOL SHANK WITH FACE GROOVING GEOMETRY SUITABLE FOR FACE GROOVING BETWEEN DIA:720-1015 & OTHER AS PER ANNEXURE-A/SNO3 <b>6. TLMW62778218</b> L-TYPE LH FACE GROOVING TOOL HAVING INTEGRAL KM80 COUPLING WITH CARBIDE INSERT W=6& OTHER CONSUMABLE FOR ROUGH & FINISH GROOVING OF T-PORION OF T TYPE BLADE GROOVE ON ROTOR. TOOL SHANK WITH FACE GROOVING GEOMWTRY SUITBALE FOR FACE GROOVING BETWEEN DIA:720-1015 & OTHER AS PER ANNEXURE-A/SNO3	1 SET	30.08.2015	
		<b>7. TLMW62778714</b> L-TYPE RH FACE GROOVING TOOL HAVING INTEGRAL KM80 COUPLING WITH CARBIDE INSERT W=6& OTHER CONSUMABLES FOR ROUGH & FINISH GROOVING OF T-PORION OF T TYPE BLADE GROOVE ON ROTOR. TOOL SHANK WITH FACE GROOVING GEOMETRY SUITABLE FOR FACE GROOVING BETWEEN DIA:1150-1650 & OTHER AS PER ANNEX-A/SLNO.4	1 SET	30.08.2015	
		<b>8. TLMW62778722</b> L-TYPE LH FACE GROOVING TOOL HAVING INTEGRAL KM80 COUPLING WITH CARBIDE INSERT W=6& OTHER CONSUMABLES FOR ROUGH & FINISH GROOVING OF T-PORION OF T TYPE BLADE GROOVE ON ROTOR. TOOL SHANK WITH FACE GROOVING GEOMETRY SUITABLE FOR FACE GROOVING BETWEEN DIA:1150-1650 & OTHER AS PER ANNEX-A/SLNO.4	1 SET	30.08.2015	

This notification shall be published in Indian national daily Newspaper. **The date for opening of tender shall be 30.04.2015.** Tenders will be received in tender box kept at Main ADM building, HEEP – BHEL Ranipur , Haridwar – 249403, Uttarakhand (INDIA) up to 1.45 P.M. on 30.04.2015 and opened on the same day at 2.00 P.M. in the Tender Room. **Please note that tender received after due time & date (1.45PM on 30.04.2015) will not be REPEAT will not be opened.** BHEL will not be responsible for any type of delay due to postal / courier etc. and it shall be the responsibility of vendor to submit offer in time in tender box.

Intending vendors must remit the **tender fee of Rs. 2,000/- (Rupees Two Thousand)** against each tender along with the requisite **EMD Rs 1,00,000/- (Rupees One Hundred Thousand)** in the form of bank draft while submitting the tender documents.

Specifications, Drawing & instructions of the above items are available on our above website with links provided for all Specifications, Drawings & Annexure (At the end of this document). Amendments/Corrigendum, if any, will be hosted on our web site only. Other terms and conditions will be as per tender documents.

Please submit your offer for the above requirement subject to our terms and conditions.

The tender document must comprise of four envelopes :

1. Envelope I : Tender fee & EMD or NSIC Certificate for exemption of tender fee & EMD.
2. Envelope II : Supplier Registration Form (Annex. III for Foreign vendors and Annex. II for Indian vendors) & Non Disclosure Agreement.
3. Envelope III : Techno-Commercial Bid along with prequalifying conditions.
4. Envelope IV : Price Bid

**VENDORS HAVE TO SUBMIT EMD AND TENDER FEE [PLEASE SUBMIT SEPARATE DRAFTS FOR EMD AND TENDER FEE. DRAFTS SHALL BE DRAWN IN FAVOUR OF BHEL, HARIDWAR SUPERSCRIBED WITH BOLD LETTERS "EMD & TENDER FEE".** BIDS shall be opened at 2.00 PM on the due date in the presence of authorized representative of the bidders who may like to be present. The authorized representative should bring authority letter from their parent company (Manufacturer) for attending the bid opening.

**KINDLY READ "INSTRUCTIONS TO BIDDERS." QUOTATION NOT IN ACCORDANCE WITH THE INSTRUCTIONS ARE LIABLE TO BE DISQUALIFIED AND IGNORED.**

## INSTRUCTIONS TO BIDDERS FOR OPEN TENDER

### DEFINITION

Registered Vendors - Are those who are registered with BHEL, Haridwar for Megawatt rating/ Size/ Weight of tendered items in respective material grade or machining of such items.

Un-registered Vendors - Are those who are not registered with BHEL, Haridwar for Megawatt rating/ Size/ Weight of tendered items in respective material grade or machining of such items.

### ESSENTIAL INSTRUCTIONS

\* Un-registered vendors may be approved by BHEL, if found suitable, on the basis of data furnished by them in Supplier Registration Form (SRF) for Foreign Vendors or Indigenous Vendors (as applicable).

\* BHEL team may visit the vendor (s) works for verification of capability and capacity claimed in tender documents/offer (s).

\* The tenders shall be submitted in two parts in separate sub-envelopes clearly super scribing type of bid, tender no., due date and the name of vendor with full contact details.

i. **Part I** – Tender fee & EMD or NSIC certificate for exemption of tender fee & EMD, Supplier Registration Form (Annexure – 2 or 3), Non Disclosure Agreement & Techno- Commercial Bid along with prequalifying conditions, etc.

ii. **Part II** – Price Bid.

All the sub-envelopes to be put in a single covering envelope indicating tender no., due date and the name of vendor with full contact details. Offer should be complete in all respect (i.e. Part-I and Part-II).

\* Please quote your rates with both the options (a) C&F Landing port & (b) FOB dispatching port. In case of FOB dispatching port, BHEL will add sea freight, insurance and administrative charges for comparison purpose. The offers of vendors not quoting FOB prices in their offers submitted through tender room shall not be considered and will stand rejected out rightly (except high sea sales case).

\* Please quote your rates in your currency or Indian Rupees.

\* Indian Agents commission if payable shall be converted to Indian Rupees at TT buying rates of exchange ruling on tender opening date which shall not be subjected to any further exchange rate variation.

\* The vendor must indicate the name of port of loading in their offer.

\* While submitting your bids please clearly indicate:

(a) Expected Weight of goods (lots wise) .

(b) The size of packed goods.

(c) Whether the goods can be despatched in containers ?

\* As per the Indian Law, all consignments being imported into India by air/sea require a phytosanitary certificate from the country of origin-if articles have been packed with packaging materials. This is mandatory.

- Packaging material means any kind of material of plant origin used for packing which include hay, straw wood shavings, wood chips, saw dust, wood waste, wooden pallets, dunnage mats, wooden packages, coir pith, peat or sphagnum moss etc.

- Please confirm in your offer/despatch documents that the required phytosanitary certificate will be submitted.

\* The Trans-shipment condition in BHEL purchase orders / Letter of Credit will be governed by Uniform Customs and Practices for Documentary Credits, UCP 500 of International Standard Bank Procedures issued by the International Chamber of Commerce ( ICC ). Please refer to our web site [www.bhelhwr.co.in](http://www.bhelhwr.co.in) under the heading " TRANS-SHIPMENT".

\* Specifically confirm your agreement to air freight the material at your cost in case the delivery is delayed beyond 4 weeks. It is in addition to the penalty for delayed delivery as per the printed clause overleaf.

\* The offer should be accompanied with relevant copies of catalogues, drawings or specification. If these documents are not furnished the offer is liable to be rejected.

\* For evaluation, exchange rates (TT selling rates of SBI) as on scheduled date of tender opening (part 1 bid in case of 2 part bid) shall be considered.

\* BHEL will deal directly with the manufacturers and no correspondence with the agents will be entertained. The agents will not be permitted to visit/ interact with BHEL on behalf of their principals. Subsequently also no correspondence of any type will be made with any agent. All individuals/ companies representing/ Advisor/retainer ship basis or claimed to be part time employee for many OEMs/claiming to be channel/business partner for BHEL work/stockist not registered specifically etc etc are Agents

\* The bidders (original registered suppliers) will have to submit the ink

signed offer/bid in original directly to BHEL. In case the bid is submitted by FAX/email, the bidders shall simultaneously ensure submission of ink signed original bid to BHEL also in the manner prescribed in this tender.

\* However, the suppliers or their authorised representatives may be allowed to attend tender opening if duly authorised by their principals, through a specific letter for a particular enquiry, for price bid opening on that particular day. General authorization letter is not acceptable.

\* The hard copy of this enquiry is being sent through post.

\* As per directives of CENTRAL VIGILANCE COMMISSION, GOVERNMENT OF INDIA, One Agent can not represent two or more suppliers or quote on their behalf in a particular tender. If so found at any stage, BHEL-Hardwar is likely to cancel Enquiries/P.O.s to such suppliers. Further such Indian Agents are likely to be de-listed (Black listed for business from BHEL).

\* Vendor should quote price and delivery details as per commercial terms & conditions enclosed.

\* BHEL may load maximum penalty under Late Delivery Clause, to the extent the same is not agreed by the vendor, for the purpose of comparative statement. Where deliveries quoted by Vendors are not suiting, BHEL may also ignore the offer of the vendor.

\* RISK PURCHASE: In case of delays in supplies / defective supplies or non- fulfillment of any other terms and conditions given in Purchase Order the purchaser may cancel the Purchase Order in full or part thereof, and may also make the purchase of such material from elsewhere / alternative source at the risk and cost of the supplier. Vendors do not agree to the above RISK PURCHASE CLAUSE and in eventuality of RISK PURCHASE, may be banned for business with BHEL.

\* Loading on prices-In case of deviation in payment terms from standard terms & conditions, the loading pattern for comparison of price bids is mentioned below:

- 1.25% per month for the amount exceeding 90% of the contract value. The period of loading shall be 1 month for indigenous items and 2 months for imported items. The loading will be done for each case more than Rs. 1 lac & is for comparison purpose only to determine L1 status.

\* Any document if identified as "AWAITED" against any of the items above, has to be submitted by the vendor in 4 sets alongwith their offer, for one-time approval by BHEL. Each document must be identified with a unique document no and its revision no.

\* All bank guarantees for Security Deposit as well as Performance Bank Guarantee should be from one of the BHEL consortium banks and the bank guarantee should be in the proforma as prescribed by BHEL. The proforma of bank guarantee and the list of consortium banks is displayed at BHEL website [www.bhelhwr.co.in](http://www.bhelhwr.co.in) . However, in case the bank guarantee is not from BHEL consortium banks, then the vendor has to get the bank guarantee confirmed from one of the BHEL consortium banks and the bank charges are to be borne by the bidder. If any vendor does not accept this condition, their offer is likely to be ignored.

\*BHEL reserves rights to place order for tendered quantity on more than one vendor.

\* In case you are not quoting, please send your regret letter positively for our reference.

\* Intimate your email address or changes, if any, by email to [asanyal@bhelhwr.co.in](mailto:asanyal@bhelhwr.co.in) giving your Vendor Code.

\* The vendor shall have to pay 5% incidental charges while taking back supplied material if it is found rejected on receipt. The rejected material shall be sent back only after receipt of replacement.

\* The above terms and conditions supercede the same or similar terms and conditions, if appearing elsewhere in the enquiry or PO.

\* Following information is available on Busiess-to-Business Portal on website [www.bhelhwr.co.in](http://www.bhelhwr.co.in) : 1 Tender Submission, 2 Comparative Statement of Rates,

3 Status of tender enquiries, 4 Negotiations, 5 Status of purchase orders,

6 Pink Memos, 7 Rejection 8 Payment Status and 9 Vendor Registration. The user ID & password can be obtained from website itself.

\* Please resolve your rejections and unexecuted overdue purchahse orders immedaitely which are posted at website.

\* Please confirm that prices quoted are not more than the prices quoted any other BHEL unit.

\* Where ever national/international(N/IN) standards are referred, the latest N/IN standard & are to be followed. Mention year & date of standard revision that shall be followed for the supply.

\* Kindly quote your prices in figures and words both. Incase of any discrepancy in value, the prices quoted in words shall be considered for evaluation and establishing L1 status

\* TENDERS RECEIVED AFTER THE SPECIFIED TIME OF THEIR 'SUBMISSION' WILL BE TREATED AS LATE TENDERS AND SHALL NOT BE CONSIDERD UNDER ANY CIRUMSTANCES

\* The offers of the bidders who are on the banned list as also the offers of the bidders, who engage the services of the banned firms, shall

be rejected. The list of banned firms is available on web site [www.bhel.com](http://www.bhel.com)

\* MSE Suppliers can avail the intended benefits only if they submit along with the offer, attested copies of either EM II certificate having deemed validity (five years from the date of issue of acknowledgement in EM II) or valid NSIC certificate or EM II certificate along with attested copy of a CA certificate (Format enclosed at annexure-1 where deemed validity of EM II certificate of five years has expired) applicable for the relevant financial year (latest audited). Date to be reckoned for determining the deemed validity will be the date of bid opening (Part 1 in case of two part bid). Non submission of such documents will lead to consideration of their bid at par with other bidders. No benefit shall be applicable for this enquiry if any deficiency in the above required documents is found or the requisite documents are not submitted before price bid opening. If the tender is to be submitted through e-procurement portal, then the above require document are to be uploaded on the portal. Documents should be notarized or attested by a Gazette officer.

\* Any new supplier will be eligible for registration with BHEL as MSE supplier provided at least any one of the following documents are submitted along with application for registration :-

a. Valid NSIC Certificate or

b. Entrepreneurs Memorandum part II (EM II) certificate (valid based on deemed validity of 5 years) or

c. EM II certificate along with attested copy of CA Certificate (as per prescribed format at annexure 1 ) applicable for the relevant financial year (latest audited), where the deemed validity of EM II is over. However, credentials of all MSE supplier will be verified before advancing the intended benefits.

\* MSE vendors claiming SC/ST status will have to submit SC/ST certificate of the Proprietor from competent authority. Attested (notarized or attested by Gazetted officer) copy to be submitted alongwith the offer.

\* In case techno-commercial accepted vendors include MSE source and their prices (based on landed cost to BHEL) are within the price band of 15% w.r.t. L-1 vendor, then BHEL can offer 20% of quantity of respective item (rounded off to nearest number) to MSE vendors at L-1 price and in case, more than one MSE vendor is in 15 % band and the same is accepted by more than one MSE vendors then 20% quantities of respective items will be considered for ordering on proportionate basis amongst MSE vendors.

\* While distributing the 20% quantity amongst MSE vendors the decimal points in quantity shall be ignored for all the vendors except the L-1 amongst MSE vendors. Balance quantity after allocating the quantity to other MSE vendors ignoring the quantities in decimal , shall be given to L-1 (amongst MSE) vendor. However if there are more than one MSE vendor at the same price level than preference for additional quantities due to ignoring off the decimal (as mentioned above) shall be given to the vendor offering favorable terms to BHEL and if the conditions offered are also same then preference will be given to the vendor having high SPR rating.

\* In case there are more than one MSE vendors (with different landed cost to BHEL) within 15% price band of lowest bidder and quantity to be offered is 1 no. only, then preference shall be given to the MSE vendor with lowest landed cost .

\* In case there are more than one MSE vendors (with same landed cost to BHEL) within 15% price band of lowest bidder and quantity to be offered is 1 no. only, then preference shall be given first, based on the favorable terms in the bid and in case terms are also same, the vendor with high SPR rating shall be given preference.

\* If L1 vendor is MSE vendor, entire quantity will be given to such MSE vendor only.

Pre-Qualifying Conditions :

- a) Only those vendors to quote who are Original tool manufacturer or authorized dealer/distributor of Original tool manufacturer. Authorization certificate from Original tool manufacturer to be furnished by the vendor with the offer.
- b) Vendor should have supplied grooving tool with coated carbide grooving inserts of width 4mm or more with KM-80/Capto/modular quick change type/equivalent tooling system.

The following information is to be submitted by the participating vendor about the companies where such type of grooving tools with coated carbide grooving inserts of width 4mm or more having KM-80/Capto/modular quick change type/equivalent tooling system have been supplied. This is required from all the vendors for qualification of their offer.

- 1) Name and address of the customer / company where such tool have been supplied.
- 2) Name, designation, phone no. & email address of the contact person of the customer.
- 3) Month & Year of supply
- 4) Basic details of supplied tool like width of grooving insert, type of modular quick change tooling system, grooving depth & type of job.
- 5) The participating vendor should confirm satisfactory performance of tool supplied to referred customer.
- 6) BHEL reserves the right to verify the information provided by vendor.  
In case the information provided by vendor is found to be false/  
incorrect, the offer shall be rejected

*Leads  
CV/KCS has*

Supply and successful establishment of Tooling package consisting of Left & Right hand L-Type Face Grooving Tools of 6mm width having integral KM-80 coupling with Indexable carbide Inserts & other consumables for rough & finish grooving of T-portion (left & right side) of various sizes of T-type Blade Grooves in Steam Turbine Rotor on CNC Lathe as per details given below :

1. Face grooving operation (rough & finish grooving on both left & right sides) on T-portion of T- type Blade Grooves in Steam Turbine Rotor are to be carried out on CNC Lathe.
2. All dimensions/surfaces of Blade Grooves except T-portion shall be finish machined by BHEL prior to machining of T-portion of T-type Blade Grooves.
3. Schematic drawing of a T-type Blade Groove showing hatched/shaded area (T-portion) to be machined and an Iso-metric view of Rotor are enclosed for reference at **Fig. 3.1 & 3.2**.
4. Tooling package shall be as per Table no. 6.2 (**Total 8 type of tools – 4 LH type and 4 RH type**)
5. Quantity of items for each type of tool in one set shall consists of following :

Tool holder	-03 Nos. (Lot-1: 01 Nos., Lot-2: 02 Nos.)
Insert	-110 Nos. (Lot-1: 10 Nos., Lot-2: 100 Nos.)
Shim/clamp/screw	-5 Nos.of each type (Lot-1:02 Nos.,Lot-2: 03 Nos.)
Screw driver/wrench	-5 Nos.of each type (Lot-1:02 Nos.,Lot-2: 03 Nos.)
6. All tool holders shall have integral KM-80 coupling similar to schematic diagram shown in figure 6.0 & 6.1. Different sizes shall be as per **Table no. 6.2**. The Tool should be capable to hold Insert of **width 6mm** for roughing and finish machining.
7. The vendor to ensure interchangeability of Grooving inserts among various tool holders.
8. All items i.e. tool holders, inserts, consumables/spares etc. of all types shall be purchased from a same vendor. L1 shall be decided on price of total package.
9. Tool holders shall be mounted on existing KM-80 adapter. KM-80 adapter shall be clamped on machine's Plate type tool carrier. The arrangement is shown in **Fig. 9.1** for reference.
10. Insert design shall be as per recommendation & design of vendor. The insert geometry & grade should be suitable for smooth chip flow ,chip breaking and productive machining.
11. The offer should be complete having list & quantity of each item offered with item wise price, technical details, drgs of special items . & catalogue pages of standard items etc.

*W*

for clear understanding of the offer. In case, vendor requires any clarification, they may discuss with BHEL prior to submission of their offer to avoid any gaps at later stage.

12. Acceptance by BHEL :

A.

- Acceptance by BHEL for each type of tool supplied in LOT-1 shall be on successful trial machining at BHEL, Haridwar on existing machine with Job & CNC program provided by BHEL and as specified below at point "B", "C" & "D", in presence of vendor.
- After successful trial of any one hand of each type of tool supplied in LOT-1 & it's acceptance by BHEL, the payment shall be made for both hands (LH & RH set) for each type of tool independently and it's clearance for LOT-2 supply shall be given by BHEL. The vendor will be accordingly intimated by BHEL for supply of LOT-2.
- The payment for each type of tool in LOT-2 shall be made independently after receipt of tools at BHEL Haridwar.
- During machining and acceptance for any one hand of each type of tool of LOT-1 at BHEL, if the process & tools could not be established in one go, the vendor will be given one additional chance to improve upon and establish the machining through change of tool/insert grade/process. In case of failure even in additional chance, all items supplied for that type of tool in LOT-1 shall be declared as rejected. There shall not be any LOT-2 supply for that type of tool.
- In case of additional quantity of any items for any type of tool or replacement of any items, if so required by vendor for successful establishment of required machining, the same shall be done by vendor without any financial implications to BHEL to complete acceptance of LOT-1. Further, LOT-2 supply shall consist of items which has been successfully established in LOT-1.

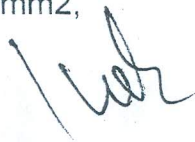
B. Successful machining of both rough & finish grooving operations in at least 6 nos. of T-type Blade Grooves on a Rotor on a CNC Lathe by either Left or Right hand of each type of tool supplied in LOT-1 using minimum cutting speed of 70m/min and cutting feed of 0.2mm/rev.

Successful machining shall also meet following :

- a. Rough grooving operation without vibrations & bending of tools and with smooth chip flow/chip breaking.
- b. Finish grooving/turning operation without vibrations & bending of tools and with smooth chip flow to achieve required size tolerance and surface finish of 3.2 microns Ra or better with no chatter marks on surface.
- c.

C. The Rotor Shaft material shall be as below:

Forging of Steel Grade X12CrMoWVNbN1011  
Tensile Strength 1000 N/mm<sup>2</sup>,  
0.2% Yield Strength 700-800 N/mm<sup>2</sup>,  
Impact Strength 30-J min.



Composition :

C 0.11-0.13 %, Si. 0.12%, Mn0.40-0.50 %,P Mn 0.40-0.50%,  
P max. 0.012%, S max. 0.005%,Cr 10.2-10.6%,Mo 1.0-1.10%  
Ni 0.7-0.8%,W0.95-1.05,V0.15-0.25,Al 0.010%,N 0.045-0.05,Nb 0.04-0.06

D. Machining shall be carried out using CNC programs provided by BHEL on a CNC Lathe having major specifications as below:

Make: Safop ,Italy

Swing Over Diameter: 1800mm

Weight Capacity: 80 Tons

Center Distance: 10m

Spindle Power: 132 kw

RPM: 0.54 -250 in 3 steps

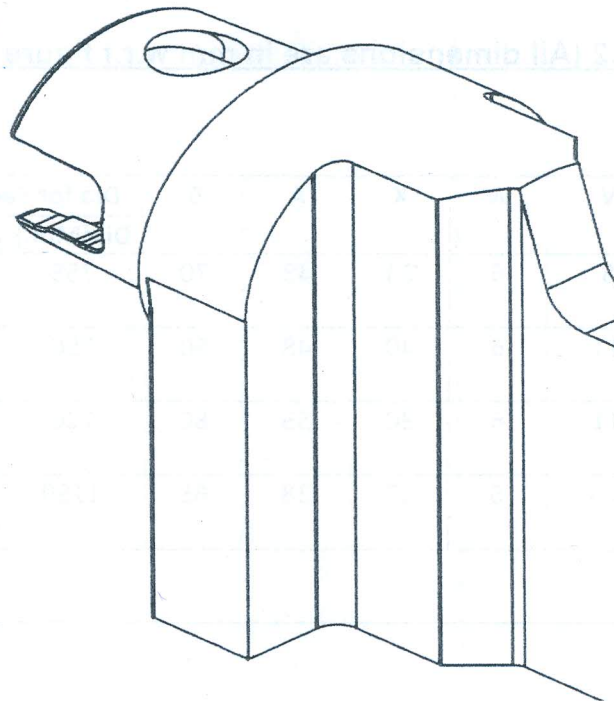
Maximum Feed: 1-5000mm/min,

Maximum permissible cutting force: Z axis 8500 daN , X axis 1100daN

Tool Post: Tool Post has Plate type tool carrier (width 120mm) using VDI cassettes having provision for clamping of square shank tools.

Coolant: Flood Coolant available using water mixed emulsion.

**Figure 6.0 (Isometric View of KM-80 Tool Holder to be supplied)**



*Handwritten signature or initials.*

Figure 6.1

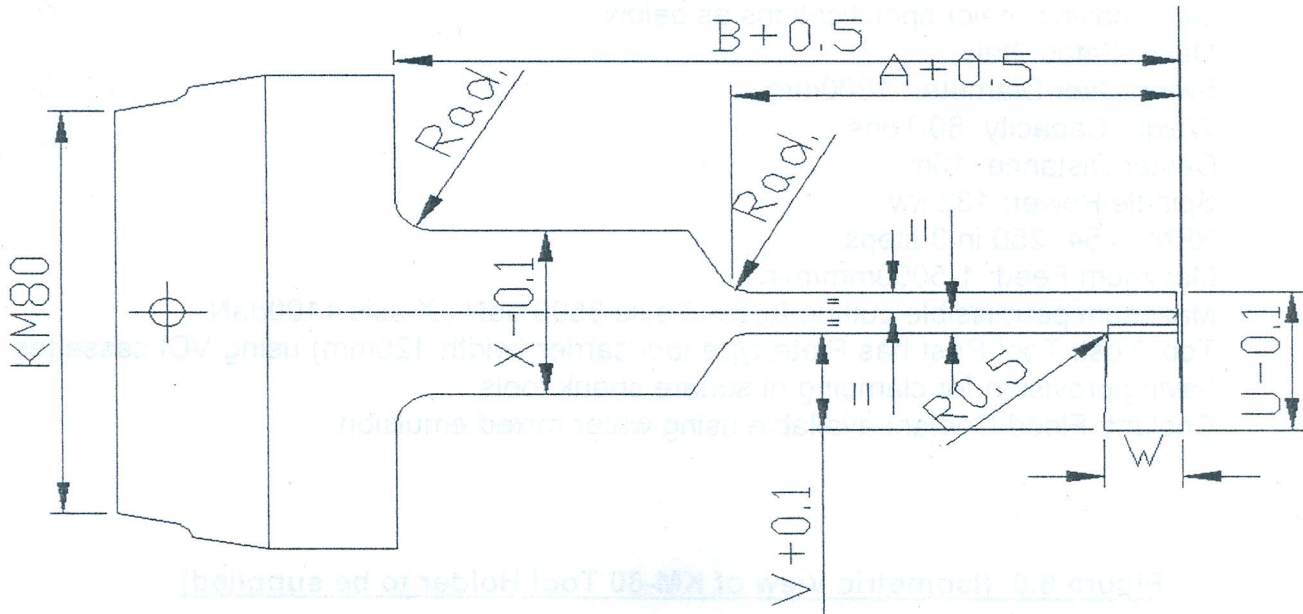


Table 6.2 (All dimensions are in mm w.r.t figure 6.1)

SNO.	TLMW	U	V	W	X	A	B	Dia for Face Grooving		Qty.
								Dia(Min.)	Dia(Max.)	
1		22	8	6	23	48	70	755	1020	LH- 1 set RH- 1 set
2		31	11	6	40	48	50	550	800	LH- 1 set RH- 1 set
3		31	11	6	30	55	80	720	1015	LH- 1 set RH- 1 set
4		16	6.5	6	17	38	65	1150	1650	LH- 1 set RH- 1 set
TOTAL QTY.										LH- 4 set RH- 4 set

Radius (Rad.) - vendor's choice (any suitable radius)

*Handwritten signature*

Figure 3.1

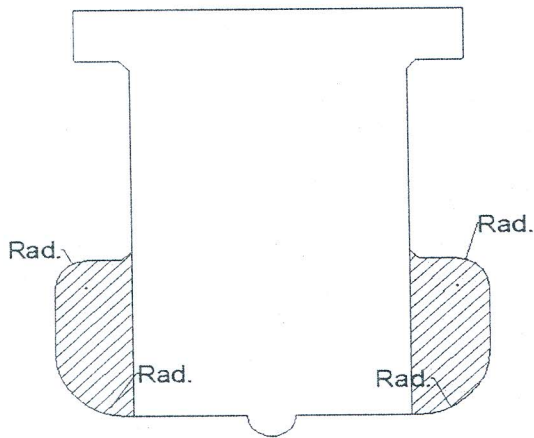


Figure 3.2

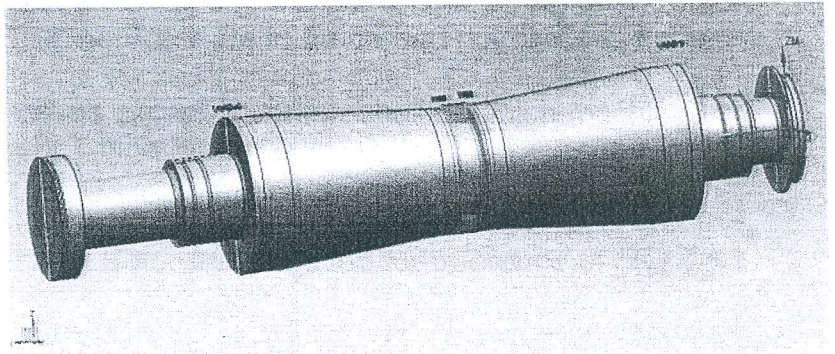
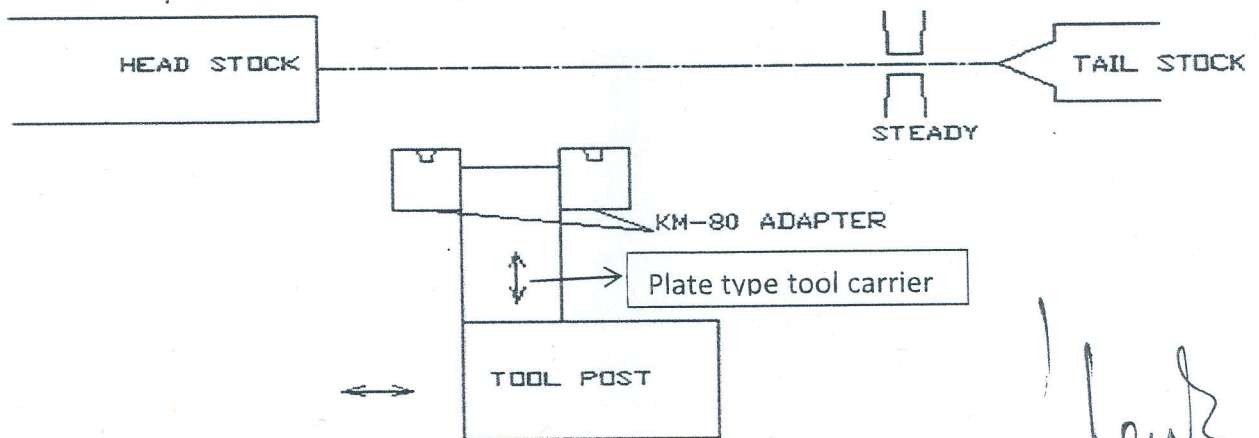



Figure 9.1



*CV-Kishan*  
NCF

	<b>Annexure-II</b> <b>GUIDELINES TO INDIAN SUPPLIERS</b> <b>FOR FILLING-UP</b> <b>SUPPLIER REGISTRATION FORM</b>	Document No.	AA:MM:SR:01
		Revision No.	01
		Page No.	I of II

- Prospective Suppliers may also visit our web site [www.bhel.com](http://www.bhel.com) (link Supplier Registration -> New Supplier Required) to know more about the requirement of new suppliers for various items in our units.
- Registration Form may be obtained from BHEL website [www.bhel.com](http://www.bhel.com).
- Application for registration, with a covering letter detailing where your products can find application (if possible) in BHEL unit(s), should be sent to:

Supplier Development Cell  
Unit Name:  
Bharat Heavy Electricals Ltd.  
City:  
India


- In case registration is being sought in multiple units of BHEL, please send the separate application to each unit.
- Any clarification with respect to procedure for registration may be obtained from the Supplier Development Cell of respective BHEL unit.
- The Supplier Registration Form has four parts:

Part A	Organisational Information	Form no. SRF(I)01 – page 1 to 10
Part B	Quality System	Form no. SRF(I)01 - page 11 to 12
Part C	Technical Competence	Form no. SRF(I)01 page 13 (if sent by BHEL)
Part D	Score Sheet (to be filled by BHEL)	Form no. SRF(I)01 page 14 to 17

The set of formats to be filled by different category of suppliers is as follows:

Sl.No	Supplier Category	Formats
1.	Indian Suppliers ( manufacturers )	- Organisational Information - Quality System - Technical Competence
2.	Indian Stockist/ Trader/ Distributor/ Dealer/ Authorised Agent/ Channel partner/ Indian Sales office or Subsidiary of registered foreign principal	- Organisational Information SRF(I)01- Part A (page 1 to 10 except Sl. No. 5.1, 5.2, 6.6, 6.7, 7 & 8)

- All columns are to be filled up properly in the space provided for. Wherever it is not applicable, please mention “Not Applicable”. The form is to be signed by the authorised signatory.
- A separate sheet may be attached if the space provided is insufficient or additional information is to be given. Please put proper identification tag on the separately attached sheet.
- Please ensure that all required enclosures are attached with the filled up Supplier Registration Form and all enclosures are numbered & list of enclosures is given as required.
- As multiple copies of the application forms are required for processing at our end, please do not spiral bound the application forms or its enclosures and instead send them in two hole clip flat file.
- Incomplete forms will be rejected.
- Any information / clarification required by BHEL during evaluation must be given expeditiously.
- Please note that if you are registered and participate in Tender process and qualify to get order from BHEL, your performance based on Quality of your product, delivery performance and service rendered will be evaluated inline with Chapter VI.
- Please fill up the check- list given on next page and send along with the Supplier Registration Forms to BHEL.
- If you are attaching a document in a language other than Hindi/ English, a self attested Hindi/ English translated document may please be also attached.

	<b>Annexure-II</b> <b>Check List for Indian Supplier</b> <b>Registration Form</b>	Document No.	AA:MM:SR:01
		Revision No.	01
		Page No.	II of II

Sl.No.	Check-Point	Yes/No
1.	Information against all points under “Organizational Information” (Part-A) has been given.	
2.	All enclosures and supporting documents have been enclosed.	
3.	Summary list of enclosures has been furnished as per S.N.10 of Organisational Information form no. SRF (I) 01 & S.N 12 of Quality system form no. SRF (I) 01.	
4.	Are you an ISO 9001 accredited supplier?	
5.	If yes, have you enclosed "Table of Contents" of your Quality Manual and copy of ISO 9001 accreditation certificate?	
6.	Have you filled up Quality System format given in Part B?	
7.	Technical requirements, specifications, drawings, standards have been received from BHEL before filling up Technical Competence, Part C.	
8.	All the parts of the form & enclosures have been signed by Authorised Signatory.	
9.	Have you attached EFT details? (In original, Certified by the bank)	
10.	If you are seeking registration for a MSME company (as per MSME Act of Government of India), have you attached requisite certificate as per Act?	

Date :

Signature & seal

(Authorised Signatory)

Note: This check list is to be attached with the filled up Supplier Registration Form.

**BHARAT HEAVY ELECTRICALS LIMITED  
SUPPLIER REGISTRATION FORM**

**FORM NO. SRF(I) 01 (INDIAN SUPPLIER)**

**ANNEXURE-II**

Page 1 of 17

**INFORMATION WITH \* MARKS IS SCOREABLE.**

**PART- A : ORGANISATIONAL SOUNDNESS**

ALL COLUMNS SHOULD BE PROPERLY FILLED IN THE SPACE PROVIDED FOR, WHEREVER IT IS NOT APPLICABLE, PLEASE WRITE "NOT APPLICABLE". INCOMPLETE OR INCORRECT FORMS MAY NOT BE CONSIDERED. **PLEASE ATTACH SEPARATE SHEET, IF SPACE AVAILABLE IS INADEQUATE.**

**ALL THE PAGES OF THE FORM ARE TO BE SIGNED ALONGWITH SEAL BY THE AUTHORISED SIGNATORY**

<b>ORGANISATIONAL INFORMATION</b>			
<b>NAME AND CORRESPONDENCE ADDRESS OF THE SUPPLIER SEEKING REGISTRATION :-</b>			
<b>1.0 PRODUCTS / SYSTEMS / SERVICES FOR WHICH REGISTRATION IS APPLIED FOR :</b>			
SL. NO.	DESCRIPTION	SIZE & RANGE	MFG. STD/ IS / DIN /BS ETC.
<b>SUPPLIER'S AUTHORISED SIGNATORY</b>		<b>BHEL CERTIFIED ASSESSOR</b>	

**BHARAT HEAVY ELECTRICALS LIMITED  
SUPPLIER REGISTRATION FORM**

**FORM NO. SRF(I) 01 (INDIAN SUPPLIER)**

**ANNEXURE-II**

Page 2 of 17

**ORGANISATIONAL INFORMATION**

**2.0 GENERAL INFORMATION :**

2.1 NAMES OF THE WORKS/DIVISION (Products manufactured at each works to be mentioned :

ADDRESS :

E - Mail :

TELEPHONE : Landline

Mobile

FAX :

2.2 NAME OF CHIEF EXECUTIVE /  
PROPRIETOR / PARTNER & ADDRESS :

2.3 DETAILS OF AUTHORISED SIGNATORY FOR SEEKING CLARIFICATION :

NAME :

DESIGNATION :

E - Mail :

TELEPHONE : Landline

Mobile

FAX :

SUPPLIER'S AUTHORISED SIGNATORY

BHEL CERTIFIED ASSESSOR

**BHARAT HEAVY ELECTRICALS LIMITED  
SUPPLIER REGISTRATION FORM**

**FORM NO. SRF(I) 01 (INDIAN SUPPLIER)**

**ANNEXURE-II**

Page 3 of 17

**ORGANISATIONAL INFORMATION**

**3.0 OWNERSHIP INFORMATION : DOCUMENTS TO BE FURNISHED**

3.1 GOVT. OF INDIA UNDERTAKING:

OR

STATE GOVT. UNDERTAKING :

OR

LIMITED COMPANY, :

MEMORANDUM AND  
ARTICLES OF ASSOCIATION

OR

PRIVATE COMPANY :

MEMORANDUM AND  
ARTICLES OF ASSOCIATION

OR

CO-OPERATIVE SOCIETY, :

SOCIETY RULES AND  
BYE LAWS

OR

PARTNERSHIP FIRM, :

PARTNERSHIP DEED

OR

PROPRIETORSHIP, :

PROFESSION TAX REGN.  
AND MUNICIPAL REGN.

ANY OTHER (SPECIFY) :

3.2 NATURE OF BUSINESS :

(MANUFACTURING UNIT/  
ENGG CONSULTANT/ EPC CONTRACTOR)

(AGENTS/ DISTRIBUTORS/STOCKISTS/DEALERS/  
TRADERS/ INDIAN SUBSIDIARY/ CHANNEL PARTNER – attach authorization  
certificate of principal)

3.3 YEAR OF ESTABLISHMENT :

\* 3.4 YEAR OF COMMENCEMENT OF BUSINESS :

SUPPLIER'S AUTHORISED SIGNATORY

BHEL CERTIFIED ASSESSOR

**BHARAT HEAVY ELECTRICALS LIMITED  
SUPPLIER REGISTRATION FORM**

**FORM NO. SRF(I) 01 (INDIAN SUPPLIER)**

**ANNEXURE-II**

Page 4 of 17

**ORGANISATIONAL INFORMATION**

**4.0 REGISTRATION PARTICULARS**

( FURNISH DETAILS AND ENCLOSE COPY OF CERTIFICATE FOR THE FOLLOWING)

- 4.1 PERMANENT ACCOUNT NO :  
4.2 CENTRAL SALES TAX REGN NUMBER :  
4.3 STATE SALES TAX / TIN NUMBER :  
4.4 EXCISE DUTY REGN NUMBER :  
4.5 EXCISE CONTROL CODE NUMBER :  
4.6 SERVICE TAX REGN NUMBER :  
4.7 CATEGORY AS PER MSMED ACT : MICRO/ SMALL/ MEDIUM  
REGN NO. :  
VALID UPTO :  
(Attach Certificate)

**5.0 TOTAL ORGANISATIONAL STRENGTH : (ATTACH ORGANISATION CHART)**

- |  | GRADUATE | DIPLOMA | SKILLED | NON-SKILLED |
|--|----------|---------|---------|-------------|
| ENGINEERING :                                      |          |         |         |             |
| MANUFACTURING :                                    |          |         |         |             |
| QUALITY :  |          |         |         |             |
| COMMERCIAL /<br>SERVICE AFTER SALES :              |          |         |         |             |
| OTHERS :   |          |         |         |             |
| TOTAL :  |          |         |         |             |
| * 5.1 POWER BACKUP :<br>(GIVE DETAILS)             | YES/ NO  |         |         |             |
| * 5.2 DOES THE COMPANY SELL ITS PRODUCT DIRECTLY : | YES/ NO  |         |         |             |

SUPPLIER'S AUTHORISED SIGNATORY

BHEL CERTIFIED ASSESSOR

**BHARAT HEAVY ELECTRICALS LIMITED  
SUPPLIER REGISTRATION FORM**

**FORM NO. SRF(I) 01 (INDIAN SUPPLIER)**

**ANNEXURE-II**

Page 5 of 17

**ORGANISATIONAL INFORMATION**

**6.0 OTHER PARTICULARS :**

( FURNISH DETAILS AND ENCLOSE DOCUMENTARY EVIDENCE/ COPY OF CERTIFICATE FOR THE FOLLOWING)

\* 6.1 IF THE COMPANY IS ALREADY REGISTERED WITH ANY OF BHEL UNITS, GIVE :

6.1.1. BHEL UNIT'S NAME :

6.1.2. SUPPLIER REGN. CODE NO. :

6.1.3. ITEMS FOR WHICH REGISTERED & THEIR SPECIFICATION  
( ENCLOSE PROOF OF SUCCESSFUL EXECUTION OF  
ONE OR MORE PURCHASE ORDERS ) :

\* 6.2 IS THE COMPANY APPROVED BY  
ASME / NTPC / NPC / EIL / DGS&D / RAILWAYS /  
IBR / LLOYDS ETC FOR INTENDED  
MATERIAL CATEGORY? : YES / NO  
(ENCLOSE DOCUMENTARY EVIDENCE)

\* 6.3 IS THE COMPANY ISO 9001 APPROVED? : YES / NO  
(ENCLOSE CERTIFICATE & TOC OF QUALITY SYSTEM) :

\* 6.4 IS THE COMPANY AN ISO 14000 APPROVED? : YES / NO  
(ENCLOSE CERTIFICATE) :

\* 6.5 IS THE COMPANY OHSAS - 18000 APPROVED?: YES / NO  
(ENCLOSE CERTIFICATE)

\* 6.6 TECHNICAL COLLABORATOR :  
(FOREIGN OR INDIGENOUS)  
(ENCLOSE DOCUMENTARY EVIDENCE)

\* 6.7 R&D SET UP

6.8 DIRECTORS / PARTNERS, IF RELATED TO ANY  
BHEL EMPLOYEE.  
NAME :  
STAFE NO. :  
DESIGNATION :  
Unit & DEPARTMENT :  
RELATIONSHIP :

SUPPLIER'S AUTHORISED SIGNATORY

BHEL CERTIFIED ASSESSOR

**BHARAT HEAVY ELECTRICALS LIMITED  
SUPPLIER REGISTRATION FORM**

**FORM NO. SRF(I) 01 (INDIAN SUPPLIER)**

**ANNEXURE-II**

Page 6 of 17

**ORGANISATIONAL INFORMATION**

6.9 IF ANY EX-BHEL PERSONNEL IS EMPLOYED BY THE COMPANY, MENTION HIS / HER DETAILS OF LAST POSTING.

NAME :  
STAFF NO. :  
DESIGNATION :  
UNIT & DEPARTMENT :  
DATE OF LEAVING SERVICE :

6.10 COMPANY'S WEEKLY HOLIDAYS :

WORKS                      OFFICE

6.11 EXPERIENCE LIST:

(ATTACH LIST OF PRESENT CUSTOMERS WITH NAME & ADDRESS FOR OFFERED / SIMILAR TYPE & SIZE OF ITEM / EQUIPMENT FOR WHICH REGISTRATION HAS BEEN SOUGHT AND WITH WHOM YOU HAVE CONTINUOUS BUSINESS SINCE LAST THREE YEARS . ALSO ATTACH PERFORMANCE CERTIFICATES ISSUED BY ANY TWO CLIENTS FOR SUCCESSFUL EXECUTION OF THE CONTRACTS FOR LAST TWO YEARS- FOR PEM)

\*6.12 DETAILS OF PENDING LEGAL ISSUES ON CONTRACTUAL ASPECTS WITH CUSTOMER , IF ANY

6.13 The following information of Bank Account of the Company, duly endorsed by the Bank (required for Electronic Fund Transfer –EFT/RTGS) is to be submitted

1. Name of the Company
2. Name of Bank
3. Name of Bank Branch
4. City/Place
5. Account Number
6. Account type
7. IFSC code of the Bank Branch
8. MICR Code of the Bank Branch
9. Details of other Bankers (for reference purpose only)

NOTE :

Suppliers who have already submitted the above information are requested to submit a copy of the same.

SUPPLIER'S AUTHORISED SIGNATORY

BHEL CERTIFIED ASSESSOR

**BHARAT HEAVY ELECTRICALS LIMITED  
SUPPLIER REGISTRATION FORM**

FORM NO. SRF(I) 01 (INDIAN SUPPLIER)

ANNEXURE-II

Page 7 of 17

**ORGANISATIONAL INFORMATION**

**7.0 MANUFACTURING FACILITIES:**

**\*7.1 LIST OF MANUFACTURING FACILITIES/EQUIPMENTS (INCLUDING MATERIAL HANDLING FACILITY)**

SL. NO	DESCRIPTION OF MACHINE/EQUIPMENT	QUANTITY	MAKE & YEAR OF INSTALLATION	REMARKS

IN CASE OF SPACE LIMITATION, PLEASE ENCLOSE ANNEXURE / CATALOGUE WITH TAG

**\* 7.2 IF IN-HOUSE MFG FACILITIES NOT AVAILABLE, INFORM SOURCE OF MFG. DETAILS ALONGWITH THEIR FACILITIES & EXPERIENCE**

SL. NO	PROCESS OUTSOURCED	NAME OF THE COMPANY	DESCRIPTION OF MACHINE / EQUIPMENT	REMARKS

IN CASE OF SPACE LIMITATION ENCLOSE ANNEXURE / CATALOGUE WITH TAG

**\* 7.3 RATIO OF OUTSOURCED COST TO TOTAL PRODUCTION VALUE:**

SUPPLIER'S AUTHORISED SIGNATORY

BHEL CERTIFIED ASSESSOR

**BHARAT HEAVY ELECTRICALS LIMITED  
SUPPLIER REGISTRATION FORM**

FORM NO. SRF(I) 01 (INDIAN SUPPLIER)

ANNEXURE-II

Page 8 of 17

**ORGANISATIONAL INFORMATION**

**8.0 INSPECTION & TESTING FACILITIES:**

**\* 8.1 LIST OF INSPECTION & TESTING FACILITIES / EQUIPMENT**

SL. NO	DESCRIPTION OF FACILITY/ EQUIPMENT & CAPACITY	NOS.	MAKE & YEAR OF MANUFACTURING	LAST DATE OF CALIBERATION

IN CASE OF SPACE LIMITATION ENCLOSE ANNEXURE / CATALOGUE WITH TAG

**\* 8.2 IF IN-HOUSE TESTING FACILITIES NOT AVAILABLE, INDICATE SOURCE OF TESTING ALONGWITH THEIR FACILITIES & EXPERIENCE**

SL. NO	TEST	SOURCE OF TESTING	DESCRIPTION OF FACILITY/ EQUIPMENT & CAPACITY	APPROVAL OF EQUIPMENT/ PROCESS/PERSONNEL QUALIFICATION

IN CASE OF SPACE LIMITATION ENCLOSE ANNEXURE / CATALOGUE WITH TAG

**Note:**

**In case of outsourcing of major testing such as NDT, Electrical & Mechanical Testing, no marks will be awarded. However, material composition testing by chemical method from recognized laboratory shall not attract negative marking**

SUPPLIER'S AUTHORISED SIGNATORY

BHEL CERTIFIED ASSESSOR

# BHARAT HEAVY ELECTRICALS LIMITED SUPPLIER REGISTRATION FORM

FORM NO. SRF(I) 01 (INDIAN SUPPLIER)

ANNEXURE-II

Page 9 of 17

ORGANISATIONAL INFORMATION					
FINANCIAL INFORMATION FOR THE PREVIOUS FOUR YEARS					
9.0	Parameter	Year 1	Year 2	Year 3	Year 4
		(Years in ascending order, Money value in Rs. Lakhs )			
* 9.1	NET WORTH (Share Capital +Reserves)				
	Growth over previous year (%)	-----			
9.2	LONG TERM DEBT / LOAN				
* 9.3	DEBT EQUITY RATIO <u>Long term Debt (9.2)</u> <u>Net worth (9.1)</u>				
9.4	INVESTMENT IN: Land & Building				
	Plant & Machinery				
	Other Fixed Assets				
9.5*	NET CURRENT ASSETS				
	1 a) Cash on hand				
	b) Account receivable				
	c) Inventories				
	Total				
	CURRENT LIABILITY				
	2 a) Sundry creditors				
	b) Interest accrued but not due				
c) Other liabilities					
Total					
3	* QUICK RATIO <u>CA - INVENT. {9.5(1)-9.5(1)c}</u> Current liability {9.5 (2)}				
* 9.6	SALES				
	Growth over previous year (%)	-----			
* 9.7	PROFIT BEFORE TAX				
	Growth over previous year (%)	-----			
* 9.8	Whether the supplier has been referred to BIFR / NCLT / any other Govt agency ( If YES , enclose details)				YES / NO
* 9.9	Whether the supplier is a potential sick company.( If YES , enclose details)				YES / NO
<p>NOTE: 1. Copies of annual accounts (Balance Sheet) for the last four years (or from date of incorporation which ever is less) along with audit report are to be submitted. The above details shall be highlighted in the Balance Sheet.</p> <p>2. Status of Tax assessments done under various laws (Income Tax, VAT/Sales Tax, Excise &amp; Service Tax, Custom) and details of disputes pending, if any, with these authorities to be submitted.</p>					
SUPPLIER'S AUTHORISED SIGNATORY			BHEL CERTIFIED ASSESSOR		

# BHARAT HEAVY ELECTRICALS LIMITED SUPPLIER REGISTRATION FORM

FORM NO. SRF(I) 01 (INDIAN SUPPLIER)

ANNEXURE-II

Page 10 of 17

## ORGANISATIONAL INFORMATION

**10. LIST OF ENCLOSURES** (Tags to be put on enclosures) :

- (i) MEMORANDUM AND ARTICLES OF ASSOCIATION / SOCIETY RULES AND BYE LAWS / PARTNERSHIP DEED/ PROFESSION TAX REGN & MUNICIPAL REGN. : YES / NO
- (ii) Copy of certificate of following:-
- PERMANENT ACCOUNT NO : YES / NO
  - CENTRAL SALES TAX REGN NUMBER : YES / NO
  - STATE SALES TAX / TIN NUMBER : YES / NO
  - EXCISE DUTY REGN NUMBER : YES / NO
  - EXCISE CONTROL CODE NUMBER : YES / NO
  - SERVICE TAX REGN NUMBER : YES / NO
  - REGN NUMBER OF CATEGORY AS PER MSMED ACT : YES / NO
- (iii) ORGANISATION CHART : YES / NO
- (iv) If registered with any other BHEL Unit,
- LETTER OF REGISTRATION WITH BHEL UNIT : YES / NO
  - PROOF OF SUCCESSFUL EXECUTION OF ONE OR MORE PURCHASE ORDERS : YES / NO
- (v) Letter of approval from ASME / NTPC / NPC / EIL / DGS&D / RAILWAYS / IBR / LLOYDS ETC : YES / NO
- (vi) Accreditation certificate for
- ISO: 9001 : YES / NO
  - TOC of Quality System Manual : YES / NO
  - ISO : 14000 : YES / NO
  - OHSAS , ISO 18000 : YES / NO
- (vii) Letter regarding technical collaboration : YES / NO
- (viii) Experience List / Performance certificate : YES / NO
- (ix) Balance Sheet for the last four years along with audit Report : YES / NO
- (x) Principal's authorization in case of dealers/ agents : YES / NO
- (xi) EFT Bank's certificate : YES / NO

I /WE GIVE THE UNDERTAKING THAT BHEL DRAWINGS & SPECIFICATIONs SHALL NOT BE USED IN ANY WAY DETRIMENTAL TO THE INTEREST OF BHEL AND/ OR FOR SUPPLY OF ANY MATERIAL, PRODUCT OR SERVICES DIRECTLY OR INDIRECTLY TO ANY OTHER CUSTOMER.

Maximum Marks = 50

Negative Marks = -13

Minimum Qualifying marks = 30

SUPPLIER'S AUTHORISED SIGNATORY

BHEL CERTIFIED ASSESSOR

**BHARAT HEAVY ELECTRICALS LIMITED  
SUPPLIER REGISTRATION FORM**

**FORM NO. SRF(I) 01 (INDIAN SUPPLIER)**

**ANNEXURE-II**

Page 11 of 17

**FORM NO. SRF(I) 01**

**Part B (QUALITY SYSTEM):**

Sl. No	PARAMETERS	SYSTEM IN EFFECT (Tick if exists & provide evidences if ticked in written procedure)		RECORDS (Tick if available & submit evidences)	REMARKS
		Written Procedure	Practice		
1*	Incoming Material Control System				Furnish a copy of system and organization.
2*	In process control				Furnish at least one work instruction & record of process control parameter
3*	Manufacturing / Testing Procedure Qualification				Procedure Qualification specification may be submitted
4*	Personnel qualification for 3 above.				Record of Personnel qualification (PQR) to be submitted
5*	Calibration system				Submit list of instrument & their calibration status
6*	System of Identification & Traceability of materials, tools, jigs, fixtures & processed components, etc.				Copy of procedure to be submitted
7*	System of Storage, Preservation , Painting & packing				Copy of procedure to be submitted
8*	System of NCR disposition & corrective preventive action				Two copies of NCR & CAPA
9*	Customer complaints handling system				Submit list of customer complaints & status for the last three years
10*	Safety measures				Submit copy of safety system & Record of accidents for last three years
11	Any other quality initiative				

SUPPLIER'S AUTHORISED SIGNATORY

BHEL CERTIFIED ASSESSOR

**BHARAT HEAVY ELECTRICALS LIMITED  
SUPPLIER REGISTRATION FORM**

**FORM NO. SRF(I) 01 (INDIAN SUPPLIER)**

**ANNEXURE-II**

Page 12 of 17

**FORM NO. SRF(I) 01**

**Part B (QUALITY SYSTEM):**

**12. LIST OF ENCLOSURES**

- (i) Copy of system of control incoming materials and organization chart
- (ii) Copy of at least one process control work instruction
- (iii) Record of process control parameter
- (iv) Copy of at least one Procedure Qualification specification
- (v) Record of Personnel qualification (PQR)
- (vi) List of instrument & their calibration status
- (vii) Copy of procedure for Identification & Traceability of materials, tools, jigs, fixtures & processed components, etc.
- (viii) Copy of procedure for Storage/ preservation/ painting & packing
- (ix) Copies of two NCRs and their CAPA.
- (x) List of customer complaints & status for the last three years
- (xi) Copy of safety system
- (xii) Record of accidents for last three years

Maximum Marks = 25

Minimum Qualifying marks = 15

SUPPLIER'S AUTHORISED SIGNATORY

BHEL CERTIFIED ASSESSOR

# BHARAT HEAVY ELECTRICALS LIMITED SUPPLIER REGISTRATION FORM

FORM NO. SRF(I) 01 (INDIAN SUPPLIER)

ANNEXURE-II

Page 13 of 17 amdt.-04

## FORM NO. SRF(I)01

### Part C: TECHNICAL COMPETENCE

Technical competence shall be evaluated in two parts viz. common competence and product/material category specific competence.

#### (i) COMMON TECHNICAL COMPETENCE

TECHNICAL COMPETENCE ( where design specification is given by BHEL )	MARKING RANGE	Marking range, if product specific technical competency not required	SUPPLIER RESPONSE (ALONG WITH SUPPORTING DOCUMENTS)#	MARKS BY BHEL
1. Supplier understands the product specification.	(0-3)	(0-8)		
2. Supplier understands the inspection requirements.	(0-2)	(0-5)		
3. Supplier has process capability to achieve the product specification/dimensional requirement.	(0-3)	(0-8)		
4. Supplier has experienced manpower to carry out the job.	(0-2)	(0-4)		
<b>TOTAL MARKS OUT OF POSSIBLE</b>	<b>10</b>	<b>25</b>		

**OR**

TECHNICAL COMPETENCE (where performance specification is given by BHEL)	MARKING RANGE	Marking range, if product specific technical competency not required	PROCEDURE		SYSTEM IN EFFECT		RECORDS	
			SUPPLIER RESPONSE (ALONG WITH SUPPORTING	MARKS BY BHEL	SUPPLIER RESPONSE (ALONG WITH SUPPORTING	MARKS BY BHEL	SUPPLIER RESPONSE (ALONG WITH SUPPORTING	MARKS BY BHEL
1. Design capability	(0-3)	(0-8)						
2. Adequacy of quality assurance plan	(0-2)	(0-5)						
3. Process capability for components	(0-3)	(0-8)						
4. Adequate of testing	(0-2)	(0-4)						
<b>TOTAL MARKS OUT OF POSSIBLE Average of Total (Total/3) = -----</b>	<b>10</b>	<b>25</b>						

#### (ii) PRODUCT/ MATERIAL CATEGORY SPECIFIC TECHNICAL COMPETENCE

**(Max Marks: 15)**

Unit MISCC to structure the parameters to be considered for the technical competence depending on material category. The score of individual parameter selected is to be decided by MISCC. MISCC shall identify the requirement of enclosures to be furnished by supplier.

Product:

Sl. No	Material category	Tech Parameter	Supplier's response	Remarks

To be filled up only on receipt of technical requirements/ specification, drawings, standards from BHEL and to be sent to BHEL for further scrutiny. Enclose documentary evidence where ever required.

#### **LIST OF ENCLOSURES:**

Maximum Marks = 25

Minimum Qualifying marks = 15

# No marks is to be given by the supplier. Only supplier response along with supporting documents.

SUPPLIER'S AUTHORISED SIGNATORY

BHEL CERTIFIED ASSESSOR

# BHARAT HEAVY ELECTRICALS LIMITED SUPPLIER REGISTRATION FORM

FORM NO. SRF(I) 01 (INDIAN SUPPLIER)

ANNEXURE-II

Page 14 of 17

## Part D : SCORE SHEET

### 1. ORGANISATIONAL SOUNDNESS (for Manufacturers):

S.N.	PARAMETER	CRITERIA	Maxm. Marks	Marks Awarded
1.	Whether all <b>relevant information</b> like ownership, PAN no., sales tax no., excise duty no., etc. submitted	Yes: 2 No: 0	2	
2.	3.4 YEAR OF COMMENCEMENT OF BUSINESS	More than 5 years : 2 1-5 years : 1 Less than 1 year : 0	2	
3.	5.1 POWER BACKUP	Yes : 1 No : 0	1	
4.	5.2 DOES THE COMPANY SELL ITS PRODUCT DIRECTLY	Yes : 1 No : 0	1	
5.	6.1 REGISTERED WITH ANY OF BHEL UNITS	Yes (same item) : 2 Yes (another item) : 1 No : 0	2	
6.	6.2 APPROVAL BY ASME/ NTPC/ NPC/ EIL/ DGS&D/ RAILWAYS/ IBR/ LLOYDS ETC	Yes : 2 No : 0	2	
7.	6.3 ISO 9001 ACCREDITATION	Yes : 3 No : 0	3	
8.	6.4 ISO 14000 ACCREDITATION	Yes : 1 No : 0	1	
9.	6.5 OHSAS - 18000 ACCREDITATION	Yes : 1 No : 0	1	
10.	6.6 TECHNICAL COLLABORATOR : (FOREIGN OR INDIGENOUS)	Yes : 1 No : 0	1	
11.	6.7 R & D SET UP	Yes : 1 No : 0	1	
12.	6.12 PENDING LEGAL ISSUES ON TECHNO – COMMERCIAL ASPECTS WITH CUSTOMER	Yes : -5 No : 0	0	
13.	7.1 & 7.2 MANUFACTURING FACILITIES INCLUDING OUTSOURCING	Adequate : 3 Substantial : 2 Inadequate : 0	3	
14.	7.3 RATIO OF OUTSOURCED COST TO TOTAL PRODUCTION VALUE	Less than 10% : 2 10 to 30 % : 1 More than 30% : 0	2	
15.	8.1 INSPECTION & TESTING FACILITIES	Adequate : 2 Substantial : 1 Inadequate : 0	2	
16.	8.2 OUTSOURCING OF MAJOR TESTING FACILITY (Refer Note)	Yes : 0 No : 1	1	
	<b>TOTAL</b>		<b>25</b>	

### 1. ORGANISATIONAL SOUNDNESS (for Indian Stockist/ Trader/ Distributor/ Dealer/ Authorised Agent/ Channel partner/ Indian Sales office or Subsidiary of registered foreign principal):

S.N.	PARAMETER	CRITERIA	Maxm. Marks	Marks Awarded
1.	Whether all <b>relevant information</b> like ownership, PAN no., sales tax no., etc. submitted ( <b>clause 6.0 of chapter V to be referred in this regard</b> )	Yes: 7 No: 0	7	
2.	3.4 YEAR OF COMMENCEMENT OF BUSINESS	More than 3 years : 2 1-3 years : 1 Less than 1 year : 0	2	
3.	6.1 REGISTERED WITH ANY OF BHEL UNITS	Yes (same item) : 2 Yes (another item) : 1 No : 0	2	
4.	6.2 APPROVAL BY ASME/ NTPC/ NPC/ EIL/ DGS&D/ RAILWAYS/ IBR/ LLOYDS ETC	Yes : 2 No : 0	2	
5.	6.3 ISO 9001 ACCREDITATION	Yes : 2 No : 0	2	
6.	6.12 PENDING LEGAL ISSUES ON TECHNO – COMMERCIAL ASPECTS WITH CUSTOMER	Yes : -5 No : 0	0	

**BHEL CERTIFIED ASSESSOR**

# BHARAT HEAVY ELECTRICALS LIMITED SUPPLIER REGISTRATION FORM

FORM NO. SRF(I) 01 (INDIAN SUPPLIER)

ANNEXURE-II

Page 15 of 17

## Part D: SCORE SHEET

### 2. FINANCIAL INFORMATION (for Manufacturers):

S.N.	PARAMETER	CRITERIA	Maximum Marks	Marks Awarded
1.	9.1 Growth of Net Worth over previous year (%) Average of three years to be worked out	More than 20 % : 5 10 – 20 % : 4 5 – 10 % : 3 > 0 & < 5 % : 2 0 or below : 0	5	
2.	9.3 DEBT EQUITY RATIO <u>Long term Debt (9.2)</u> Net worth (9.1)	1 : 1 : 5 1.1 upto 1.5 : 1 : 4 1.6 upto 2.0 : 1 : 3 2.0 & above : 1 : 2	5	
3.	9.5 QUICK RATIO <u>CA - INVENTORIES {9.5(1)-9.5(1)c}</u> Current liability {9.5 (2)}	1 : 1 : 5 1 : 1 upto 1.5 : 4 1 : 1.5 upto 1.75 : 3 1 : 1.75 upto 2.5 : 2 1 : > 2.5 : 0	5	
4.	9.6 Growth in Sales over previous year (%) Average of three years to be worked out	More than 35% : 5 20 -35 % : 4 10 – 20 % : 3 5 – 10 % : 2 > 0 & < 5 % : 1 0 or negative : 0	5	
5.	9.7 PROFIT BEFORE TAX  Growth over previous year (%)	More than 20 % : 5 10 – 20 % : 4 5 – 10 % : 3 > 0 & < 5 % : 2 0 or below : 0	5	
6.	9.8 Whether the supplier has been referred to BIFR / NCLT/ any other similar Govt agency	Yes: -5 No : 0	0	
7.	9.9 Whether the supplier is a potentially sick company	Yes: -3 No : 0	0	
<b>TOTAL</b>			<b>25</b>	

Note: If the supplier is new in business and does not have past data, then the evaluation will be done on the basis of information provided by him and will be decided by MISCC.

### 2. FINANCIAL INFORMATION (for Indian Stockist/ Trader/ Distributor/ Dealer/ Authorised Agent/ Channel partner/ Indian Sales office or Subsidiary of registered foreign principal):

S.N.	PARAMETER	CRITERIA	Maximum Marks	Marks Awarded
1.	9.6 Growth in Sales over previous year (%) Average of three years to be worked out	More than 35% : 5 20 -35 % : 4 5 - 20 % : 3 >0 - 5 % : 2 0 or negative : 0	5	
2.	9.7 PROFIT BEFORE TAX  Growth over previous year (%)	More than 20 % : 5 5 – 20 % : 4 >0 – 5 % : 3 0 or below : 0	5	

BHEL CERTIFIED ASSESSOR

# BHARAT HEAVY ELECTRICALS LIMITED SUPPLIER REGISTRATION FORM

FORM NO. SRF(I) 01 (INDIAN SUPPLIER)

ANNEXURE-II

Page 16 of 17

## Part D : SCORE SHEET

### 3. QUALITY SYSTEM :

S.N.	PARAMETER	CRITERIA	Maxm. Marks	Marks Awarded
1.	Incoming Material control System	System availability : Yes: 1 No : 0	1	
		Availability of Organisation chart Yes: 1 No : 0	1	
2.	Process control	Work instruction available: Yes: 1 No : 0	1	
		Record of process Control : Available : 2 Partial record : 1 Not available: 0	2	
3.	Manufacturing / Testing Procedure Qualification	Procedure Qualification Specification : Adequate : 3 In adequate: 1 Not available : 0	3	
4.	Personnel qualification	Record of PQR: Adequate : 3 In adequate: 1 Not available : 0	3	
5.	Calibration system	Adequate : 3 In adequate: 1 Not available : 0	3	
6.	System of Identification & Traceability of materials, tools, jigs, fixtures & processed components, etc.	Procedure available : Adequate : 2 In adequate: 1 Not available : 0	2	
7.	System of Storage/ preservation/ painting & packing	Procedure available : Adequate : 2 In adequate: 1 Not available : 0	2	
8.	System of NCR disposition & corrective preventive action	Two copies of NCR & CAPA Available :2 Not available : 0	2	
9.	Customer complaints handling system	System available : Yes: 1 No : 0	1	
		Complaints registered & resolved :2 Complaints registered & partially resolved : 1 Complaints not registered or not resolved : 0	2	
10.	Safety measures	System available : Yes: 1 No : 0	1	
		Record available : Yes: 1 No : 0	1	
<b>TOTAL</b>			<b>25</b>	

BHEL CERTIFIED ASSESSOR

# BHARAT HEAVY ELECTRICALS LIMITED SUPPLIER REGISTRATION FORM

FORM NO. SRF(I) 01 (INDIAN SUPPLIER)

ANNEXURE-II  
Page 17 of 17 amdt.-04

## Part D : SCORE SHEET

### 4. TECHNICAL COMPETENCE

	Maximum Marks (1)	Marks obtained (2)
<b>A. Common Technical Competence</b>		

And/ or

#### **B. Product Specific Technical Competence**

Column no. 1 to 4 to be filled by MISCC before sending to supplier. Column no. 5 to be filled by BHEL certified Assessor after evaluation of supplier response.

Sl. No (1)	Parameter (2)	Scoring criteria (3)	Maximum Marks (4)	Marks obtained (5)
	<b>Sub-Total</b>		<b>15</b>	

TOTAL (A+B): 25 (     )

#### **SUMMARY:**

Sl. No	Criteria	Maxm Marks	Qualifying marks *	Marks obtained	Recommendation for registration
1.	Organisational Soundness	50	30		<b>Recommended :</b>  Permanent code /Development code/ Trial code <b>Not recommended</b>
	Financial Information				
2.	Quality System	25	15		
3.	Technical Competence	25	15		
	TOTAL	100	60		

**\*Minimum Qualifying Score in Each category shall be 60%.**

#### **REGISTRATION CRITERIA:**

Sl. No	Score	Recommendation
1.	More than 90	Supplier is to be registered and given Permanent code, Normally no visit is called for.
2.	>75 <=90	Supplier may be visited if recommended by MISCC or to be registered and given permanent code.
3.	>=60 <=75	Supplier may carry out suggested improvements if advised by MISCC Supplier's visit is mandatory. Trial/ Development code may be given.
4.	Less than 60	Not to be registered

**Note:** Indian Stockist/ Trader/ Distributor/ Dealer/ Authorised Agent/ Channel partner/ Indian Sales office or Subsidiary of registered foreign principal are to be awarded marks on pro-rata basis and registered accordingly.

Signatures: MISCC and Suppler Evaluation Team (in case of visit)

1)	2)	3)
4)	5)	6)

BHEL CERTIFIED ASSESSOR
-------------------------

	Annexure-III  <b>GUIDELINES TO FOREIGN SUPPLIERS FOR FILLING UP SUPPLIER REGISTRATION FORM</b>	Document No.	AA:MM:SR:01
		Revision No.	01
		Page No.	I of II

1. Prospective Suppliers may also visit our web site [www.bhel.com](http://www.bhel.com) (link Supplier Registration -> New Supplier Required) to know more about the requirement of new suppliers for various items in our units.
2. Registration Form no. SRF(F)01 may be obtained from BHEL website [www.bhel.com](http://www.bhel.com).
3. Application for registration, with a covering letter detailing where your products can find application (if possible) in BHEL unit(s), should be sent to:

Supplier Development Cell  
*Unit Name:*  
Bharat Heavy Electricals Ltd.  
*City:*  
India

4. In case registration is being sought in multiple units of BHEL, please send the separate application to each unit.
5. Any clarification with respect to procedure for registration may be obtained from the Supplier Development Cell of respective BHEL unit.
6. All columns are to be filled up properly in the space provided for. Wherever it is not applicable, mention it as "Not Applicable". The form is to be signed by the authorised signatory and submitted in original.
7. Please attach separate sheet if the space provided is insufficient. For any other information also, separate sheet may be attached.
8. Any information / clarification required by BHEL during processing of registration must be given expeditiously.
9. Please ensure that all required enclosures are attached with the filled up Supplier Registration Form and all enclosures are numbered & list of enclosures is given as required.
10. As multiple copies of the application forms are required for processing at our end, please do not spiral bound the application forms or its enclosures and instead send them in two hole clip flat file.
11. Please fill up the check- list given on next page and send along with the Supplier Registration Forms to BHEL.
12. Please note that if you are registered and participate in Tender process and qualify to get order from BHEL, your performance based on Quality of your product, delivery performance and service rendered will be evaluated inline with Chapter VI.
13. If you are attaching a document in a language other than English, a self attested English translated document may please be also attached.

	Annexure-III <b>CHECK-LIST FOR FOREIGN          SUPPLIERS REGISTRATION FORM</b>	Document No.	AA:MM:SR:01
		Revision No.	01
		Page No.	II of II

S.N.	Check-Point	Yes/No
1.0	Information against all points in the Supplier Registration Form has been given.	
2.0	Authorisation letter has been enclosed (in case of Indian representative)	
3.0	Banker's certificate has been enclosed	
4.0	Are you an ISO: 9001 accredited supplier?	
4.1	If yes, have you enclosed copy of ISO 9001 accreditation certificate & "Table of Contents" of your Quality Manual?	
4.2	If no, have you enclosed written down procedure / manual of Quality Management System?	
5.0	Have you enclosed experience list/ performance certificate ( as per sl. 3.0 of the form SRF(F) 01 )	
6.0	List of enclosures has been furnished ( as per Sl 5.0 of the form SRF(F) 01)	
7.0	All the parts of the form & enclosures have been signed by Authorised Signatory.	
8.0	D&B Report/ Creditreform report etc. has been attached.	

Signature & seal  
(Authorised Signatory)

Date :

Note : This check list is to be attached with the filled up Supplier Registration Form.

**BHARAT HEAVY ELECTRICALS LIMITED , INDIA**

ANNEXURE- III

**FORM NO. SRF(F)01 : (FOREIGN SUPPLIER)**

Page 1 of 2

**ALL THE PAGES OF THE FORM ARE TO BE SIGNED ALONGWITH SEAL BY THE AUTHORISED SIGNATORY**

SUPPLIER REGISTRATION FORM	
<b>1.0 GENERAL INFORMATION :</b>	
1.1 NAME OF SUPPLIER : (TO BE REGISTERED)	
1.2 SUPPLIER ADDRESS : (TO BE REGISTERED)	
E - Mail :	
TELEPHONE : (Landline)-	Mobile
WEB SITE :	
<b>1.3 DETAILS OF FACTORY / WORKS :</b>	
ADDRESS :	
E - Mail :	
TELEPHONE : (Landline)-	Mobile
<b>1.4 DETAILS OF MARKETING REPRESENTATIVE (OUTSIDE INDIA , IF ANY)</b>	
ADDRESS :	
E - Mail :	
TELEPHONE : (Landline)-	Mobile
<b>1.5 DETAILS OF INDIAN REPRESENTATIVE, IF ANY : ( Attach authorisation letter )</b>	
NAME :	
ADDRESS :	
E - Mail :	
TELEPHONE : (Landline)-	Mobile
<b>1.6 CHIEF EXECUTIVE :</b>	
<b>1.7 YEAR OF ESTABLISHMENT :</b>	
<b>SUPPLIER'S AUTHORIZED SIGNATORY</b>	
<b>BHEL CERTIFIED ASSESSOR</b>	

**FORM NO. SRF(F)01 : (FOREIGN SUPPLIER)**

- 1.8 YEAR OF COMMENCEMENT OF BUSINESS :
- 1.9 PRODUCTION CAPACITY PER ANNUM (details of major manufacturing/ testing facilities to be given) :
- 1.10 PARTICULARS OF PRODUCTS INCLUDING SPECIFICATION AND RANGE OFFERED FOR REGISTRATION : ( ATTACH BROCHURES AND CATALOGUES )
- 1.11 NAME (S) OF BANKERS :
- 1.12 BANKER'S CERTIFICATE AS TO CREDITWORTHINESS OF THE CLIENT  
(Enclose Certificate) :
- 1.13 PORT OF LOADING :
- 1.14 NEAREST AIRPORT :
- 1.15 Report from D&B/ Creditreform etc. (As per Cl. 7.1 of Chapter V) (**MANDATORY**):

**2.0 FINANCIAL INFORMATION : (FOR LAST 3 YEARS)**

PARAMETER	YEAR -1	YEAR -2	YEAR -3
ANNUAL TURN OVER			
PROFIT AFTER TAX			

(COPY OF AUDITED ANNUAL ACCOUNTS FOR LAST 3 YEARS TO BE ENCLOSED)

**3.0 QUALITY MANAGEMENT SYSTEM :**

- 3.1 IS THE COMPANY ISO:9001 CERTIFIED : YES / NO
- 3.1.1 IF YES, ENCLOSE COPY OF CERTIFICATE & TABLE OF CONTENTS OF QUALITY MANUAL.
- 3.1.2 IF NO, ENCLOSE QUALITY MANAGEMENT SYSTEM OR WRITTEN DOWN PROCEDURE

- 4.0 EXPERIENCE LIST/ PERFORMANCE CERTIFICATE FOR OFFERED / SIMILAR ITEMS :**  
(ATTACH LIST OF PRESENT CUSTOMERS WITH NAME & ADDRESS FOR OFFERED / SIMILAR TYPE & SIZE OF ITEM / EQUIPMENT FOR WHICH REGISTRATION HAS BEEN SOUGHT AND WITH WHOM YOU HAVE CONTINUOUS BUSINESS SINCE LAST THREE YEARS )

**5.0 IF REGISTERED IN ANY OTHER UNIT OF BHEL, PLEASE SPECIFY:****6.0 DIRECTORS / PARTNERS, IF RELATED TO ANY BHEL EMPLOYEE.**

**NAME:**  
**STAFF NO.:**  
**DESIGNATION:**  
**UNIT & DEPARTMENT:**  
**RELATIONSHIP:**

**7.0 ANY OTHER INFORMATION:****8.0 LIST OF ENCLOSURES :**

(BROCHURES, CATALOGUES, TECHNICAL LITERATURE ETC.)

E – Mail

TELEPHONE : (Landline):  
 Mobile :

DATE :

Signature & Seal  
 AUTHORISED SIGNATORY  
 NAME :  
 DESIGNATION :

BHEL CERTIFIED ASSESSOR

**NON-DISCLOSURE AND PROPRIETARY INFORMATION AGREEMENT**

BETWEEN

\_\_\_\_\_ (**Name of the Vendor**),, having its registered offices in \_\_\_\_\_ (**Address of Vendor**), registered under the no. \_\_\_\_\_ of the Companies' register of \_\_\_\_\_ (**Name of Place and Country**), capital stock of \_\_\_\_\_ (**Value**), with a place of business in \_\_\_\_\_ (**Name of Place and Country**) (hereinafter referred to as "**\_\_\_\_\_ (Name of Vendor)**");

AND

**Bharat Heavy Electricals Ltd** a company incorporated under the Indian Companies Act 1956 having its registered offices at BHEL House, Siri Fort, New Delhi -110 049 and having one of its works at Heavy Electrical Equipment Plant, Ranipur, Haridwar-249403 (Uttarakhand), India registered under the No. 4281 of 1964-65 of the companies register of Delhi, capital stock of Rs 4895.2 million with a place of registered office in New Delhi (hereinafter referred to as "BHEL") hereinafter also referred to individually as "the Party" or collectively as "the Parties".

**BACKGROUND**

This Agreement sets forth the rights and obligations of the Parties with respect to the use, handling, protection and safeguarding of Proprietary Information that is disclosed by and between the Parties.

**WHEREAS**

A) the Parties wish to pursue exploratory discussions concerning a possible collaboration between them in relation to the Program defined in Exhibit 1;

B) during the ensuing discussions and negotiations it may occur that either Party discloses to the other technical, financial or business information of a proprietary or confidential nature, which the Parties intend to protect against, making it available, by any means to any third person, and other unauthorized use and/or further disclosure by the recipient, in accordance with the terms and conditions set forth herein;

**NOW, THEREFORE,** the Parties have agreed as follows:

1. The term “Proprietary Information” shall mean any information or data of whatsoever kind of a confidential or proprietary nature, including but not limited to, commercial information, know how and technical information in the form of designs, drawings, concepts, requirements, specifications, software, interfaces, components, processes, or the like, that have been or will be disclosed by either Party to the other pursuant to this Agreement, either in writing, orally or other form, which is designated as “Proprietary” or “Confidential” by the disclosing Party by means of formal declaration or an appropriate stamp, legend or any other written or orally notice .
  
2. Proprietary Information may be conveyed, without limitation, through any written or printed documents, samples, models, electronic form on disk, tape, other storage media or any other means of disclosing such Proprietary Information that either Party may elect to use during the life of this Agreement, but if an originating Party originally discloses information orally or visually, the receiving Party will protect such information as Proprietary Information to the extent that the originating Party :
  - identifies the Information as Proprietary at the time of original disclosure,
  - summarizes the Proprietary Information in writing .

Information stored in electronic form on disk, tape, other storage media will be adequately marked if a proprietary legend displays when the information originally runs on a computer system and when the information is printed from its data file.

Proprietary Information also includes any information which can be obtained by examination, testing or analysis of any hardware or material substance or any component part of such hardware or material substance provided by the Disclosing Party even though the requirements in Clause 1 for marking and designation have not been fulfilled.

3. Each Party, to the extent of its rights to do so, shall disclose to the other only the Proprietary Information which the disclosing Party deems appropriate to fulfil the objectives of this Agreement. The Parties hereby represent that the disclosure of Proprietary Information by and between themselves shall be made in compliance with, and subject to the laws and regulations of the Disclosing Party's country.
  
4. The receiving Party hereby agrees and covenants that, from the effective date of this Agreement until the expiry date as per article 11 and the following period as per article 12, the Proprietary Information that either Party receives from the other shall:
  - a) be protected and kept in strict confidence by the receiving Party which must use the same degree of care it uses to protect its own confidential information and in no case less than a reasonable care;
  
  - b) be only disclosed to and used by those persons within the receiving Party's organization or that of its parent or controlled companies who have a need to know and solely for the purposes specified in this Agreement, and be treated by such persons or entities with the same degree of care and subject to the same restrictions;
  
  - c) to procure that each third party to whom Proprietary Information is disclosed under this Agreement is made aware of the provisions of this Agreement prior to such disclosure to it and that each such third party is

bound by obligations of confidentiality which are no less onerous than those contained in this Agreement;

- d) neither be disclosed nor caused to be disclosed or made available, either directly or indirectly, to any third Party or persons other than those mentioned in subparagraph b) above or other persons upon which both of the contractual Parties shall agree in an amendment to this Agreement;
- e) not to copy, reproduce or reduce to writing any part of such Proprietary Information except as may be reasonably necessary for the purpose referred to in the Recitals of this Agreement

PROVIDED THAT the Receiving Party shall be entitled to make any disclosure required by court order or government or regulatory requirement of the Disclosing Party's Proprietary Information subject to notifying the Disclosing Party as soon as possible of such requirement

- 5. Any Proprietary Information and copies thereof disclosed by either Party to the other shall remain the property of the disclosing Party and shall be immediately returned or destroyed by the receiving Party upon request.
- 6. The receiving Party shall have no obligations or restrictions with respect to any Proprietary Information for which the receiving Party can prove that:
  - a) is in or which comes into the public domain otherwise than as a result of a breach of this Agreement by any person to whom a disclosure of Proprietary Information is made as permitted under this Agreement or of any other duty of confidentiality relating to the Proprietary Information of which the Receiving Party has knowledge; or
  - b) it has been in its possession without restriction at the time of the disclosure, as evidenced by written documentation in its files; or
  - c) it has been lawfully received from a third Party without breach of this Agreement; or

- d) it has been or is published without violation of this Agreement; or
  - e) it has been independently developed in good faith by employees of the receiving Party who did not have access to the Proprietary Information; or
  - f) it has not been properly declared, designated or confirmed as Proprietary or Confidential; or
  - g) the protection period has expired according to articles 11 and 12 of this Agreement.
7. With respect to any exchange of Proprietary Information which may occur as a result of this Agreement, it is expressly understood and agreed that the persons listed in Exhibit 2 shall, on behalf of the respective Parties, be the exclusive individuals authorized to receive from and transmit to the other Party Proprietary Information under this Agreement. Each Party may replace at any time its respective authorized individuals identified in such Exhibit 2, within its own organization. Any such new designation by a Party shall be made by written notice to the other at the address indicated in such Exhibit 2.
8. Any Proprietary Information which is identified as “Classified Information”, or whose export is subject to an export license, shall be identified as such by the disclosing Party at the time of disclosure and the disclosure, protection, use and handling thereof, shall remain subject to the security procedures and restrictions imposed by the disclosing Party's Government.
9. The disclosure of Proprietary Information under this Agreement by either Party to the other shall not be construed as granting to the receiving Party any right, whether express or implied by licence or otherwise, on the matters, inventions or discoveries to which such information pertains, or as granting any trademark, patents, copyrights, trade secret right or other form of intellectual property right.

10. Nothing in this Agreement may be construed as an obligation of either Party to disclose any Proprietary Information to the other, or to enter into any subsequent contractual relationship with such other Party.
11. This Agreement covers the exchange of Proprietary Information which may be made by either Party to the other until ten years from signing of the agreement or any extension thereto which may be agreed upon by the Parties in writing. Proprietary information relevant to the Program detailed in Exhibit 1, already made available to the other contractual Party before the effective date, shall also be protected under this Agreement.

It is understood by the parties that, prior to disclosure, the Disclosing Party shall have obtained any government authorisation needed for the export of the Proprietary Information

12. The expiry of the period contemplated in Article 11 of this Agreement shall not relieve the receiving Party from complying with the obligations imposed by Article 4 here above with respect to the use and protection of the Proprietary Information, received prior the date of such expiry, for a period of ten (10) years after such expiry.
13. The Parties are independent contractors. Each will bear all costs and expenses in connection with this Agreement. This Agreement is intended to facilitate only the exchange of Proprietary Information and is not intended to be, and shall not be construed to create a teaming agreement, joint venture, association, partnership, or other business organisation or agency arrangement and no Party shall have the authority to bind the other without the other Party's separate prior written agreement .
14. This Agreement shall be governed by and shall be interpreted in accordance with the substantive federal laws of Switzerland excluding it's choice of law rules.

Irrespective of the foregoing each Party shall remain bound by the provisions of its own national laws and regulations with respect to the transfer or use of Classified Information or information whose export is subject to an export license.

15. All disputes among the Parties, in connection with or arising out of the existence, validity, construction, performance and termination of this Agreement (or any terms thereof), which the Parties are unable to resolve among themselves, shall be finally settled by an Arbitration. The Arbitration shall be held in Geneva (CH) in English language, in accordance with the rules of the ICC – International Chamber of Commerce by three arbitrators appointed in accordance with said rules.
16. The foregoing constitutes the entire Agreement among the Parties with respect to the subject matter hereof and supersedes and cancels all prior representations, negotiations, commitments, undertakings, communications, either oral or written, acceptances, understandings and agreements among the Parties with respect to or in connection with any of the matters to which such Agreement applies or refers.
17. Notices to \_\_\_\_\_ (**Name of Vendor**) shall be made at the following address:

**(Complete Address of Vendor)**

Attention: Mr. \_\_\_\_\_ (**Name of the Authorised Person of Vendor**)

Notices to BHEL shall be made at the following address:

BHARAT HEAVY ELECTRICALS LIMITED,

HEAVY ELECTRICAL EQUIPMENT PLANT,

Ranipur, Haridwar-249403 (Uttarakhand), India

Attention: Shri B.M.Bansal, General Manager- Materials Management

18. The effective date of this Agreement shall be the date of the last signature appearing herein.

**IN WITNESS WHEREOF**, each of the Parties has caused this Agreement, to be executed by its duly authorized officer.

Date :

Signed for and on behalf of

Signed for and on behalf of

**(Name of Vendor)**

BHEL

By:

By:

Title:

Title:

Signature:

Signature:

**EXHIBIT 1**

to the

**NON-DISCLOSURE AGREEMENT**

between

\_\_\_\_\_ **(Name of Vendor)**

and

**BHARAT HEAVY ELECTRICALS LIMITED**

dated:

\_\_\_\_\_

The Non Disclosure Agreement covers the exchange of Proprietary Information which may occur during the discussions and negotiations in view of a possible cooperation between the Parties in the following programs:

-Description of Material or Services for which the order is placed

\_\_\_\_\_ **(Name of Vendor)** list of products that require an exchange of Proprietary Information which may be occur during the discussions and negotiations in view of a possible cooperation for the above programs :

**EXHIBIT 2**

to the

**NON-DISCLOSURE AGREEMENT**

between

\_\_\_\_\_ **(Name of Vendor)**

and

Bharat Heavy Electricals Ltd.

dated:

Personnel of the Parties authorized to receive and/or transmit Proprietary Information under this Agreement:

For **(Name of Vendor)**

**(Name of Person)**

Tel.

Fax

Address.

**(Name of Person)**

Tel.

Fax

Address.

For Bharat Heavy Electricals Ltd.

**(Name of Person)**

Tel.

Fax

Address.

**(Name of Person)**

Tel.

Fax

Address.