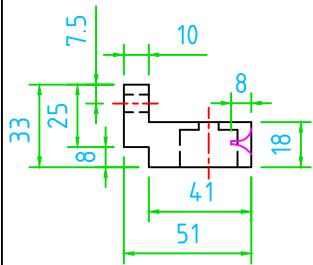
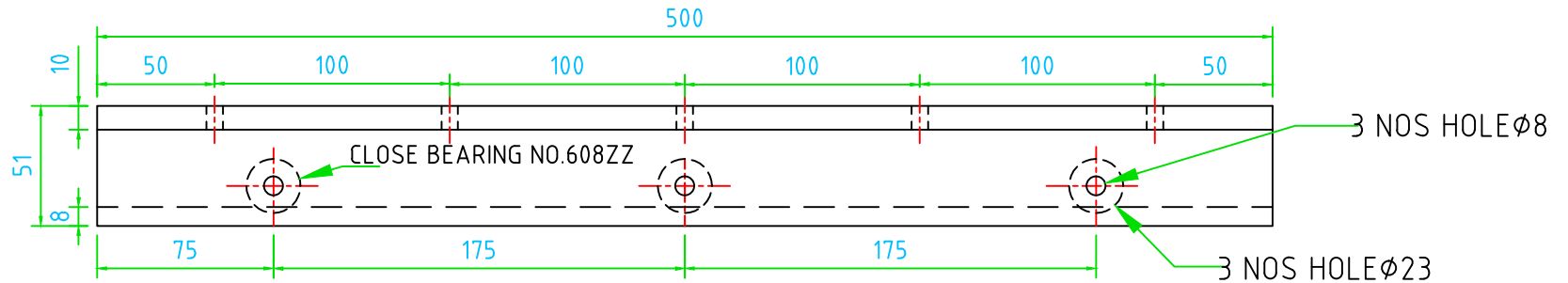


3-L

3-R

MIRROR IMAGE

TOP



SIDE

5 NOS HOLE ϕ 7



FRONT

SIDE

NOTE:

AS PER SHEET 10 OF 21

FILE NAME GUIDE FOR CNC GEORG #1077 BAY-5	FSCH NO	SHEET 14 OF 21	SCALE N.T.S
SIZE A4		BHARAT HEAVY ELECTRICALS LTD.JHANSI	
DRAWN 31-10-2016 ANAND KUMAR		GUIDE WAY FOR GEORG # 1077	
CHECK V.K. GUPTA		GUIDE 3-L&3-R	
APPR. NITIN GAUR		DWG NO	
ISSUED		-BHEL/JHS/WE&S/A4 -1926	
REV 01			
CONTRACT NO			