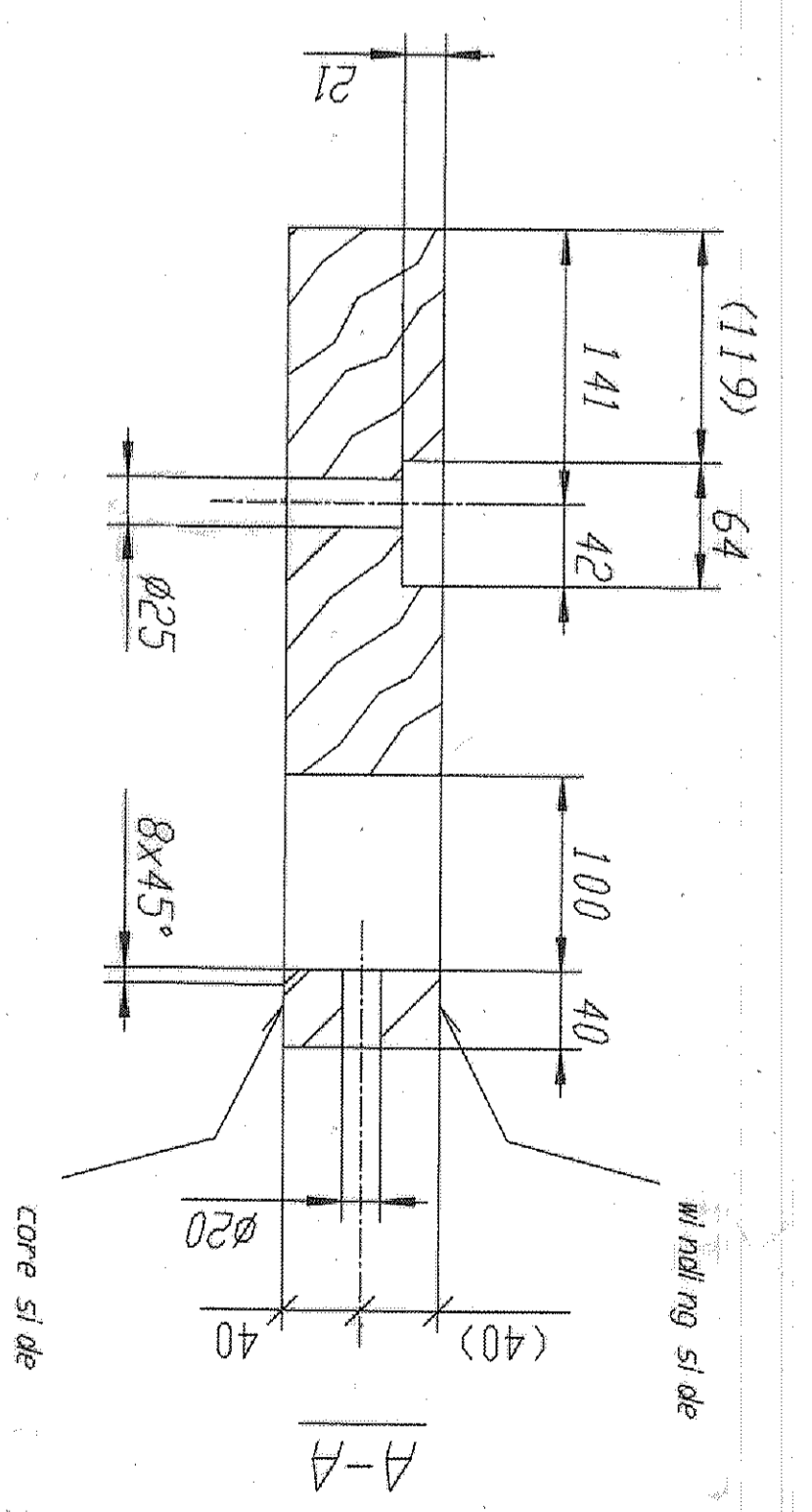
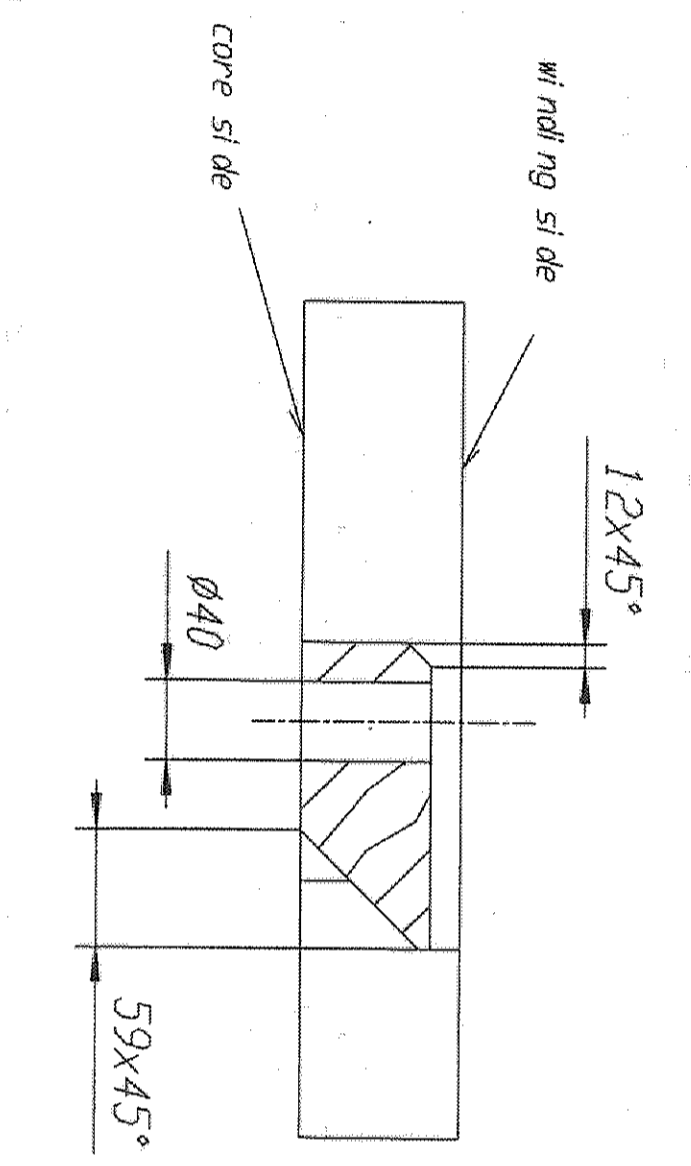
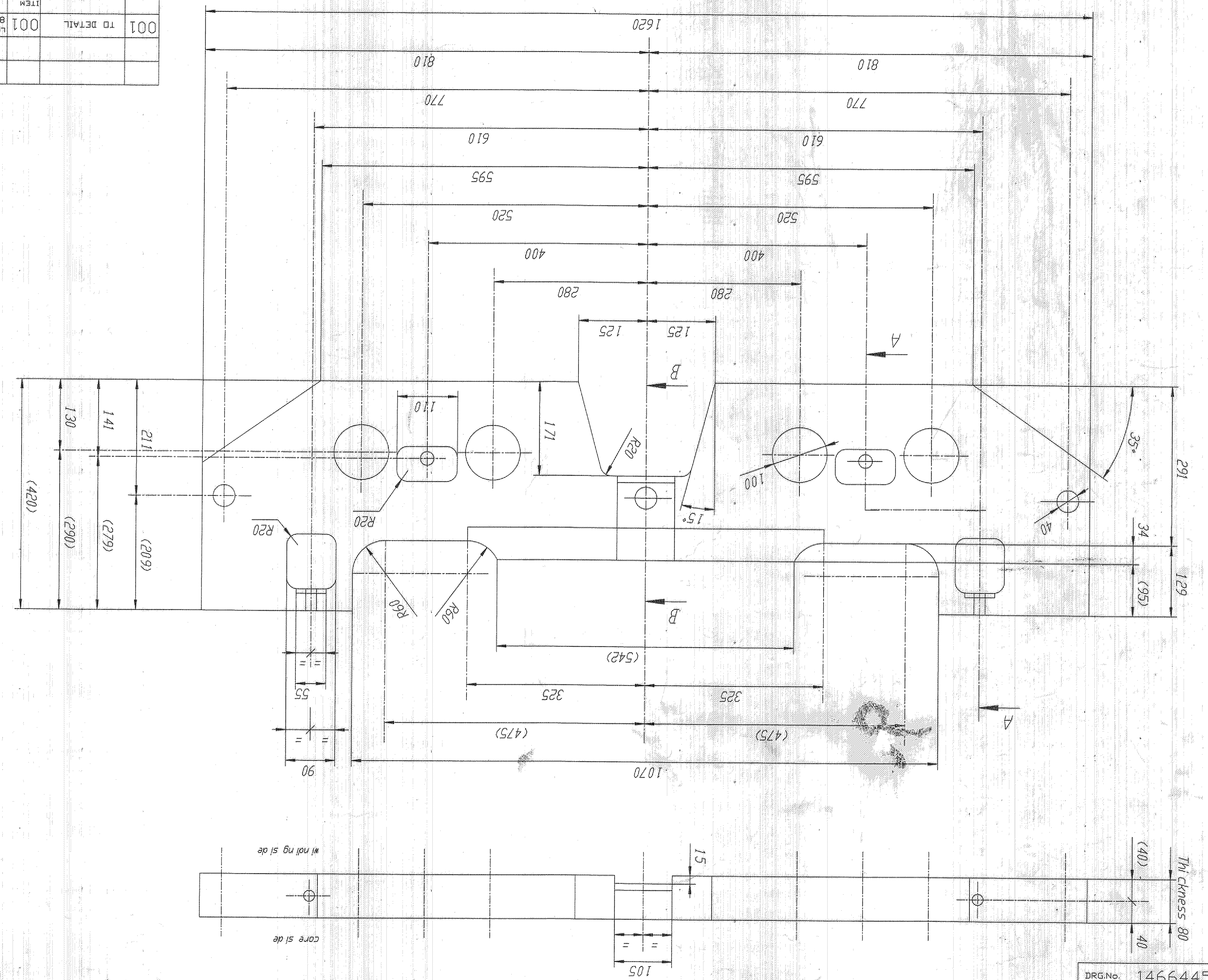


REV. DATE ALTERED CHECKED		REV. DATE ALTERED CHECKED		REV. DATE ALTERED CHECKED	
1	1	2	3	4	5
TRF TRP	TRF TRP	TRF TRP	TRF TRP	TRF TRP	TRF TRP
DATE	DATE	DATE	DATE	DATE	DATE
BY	BY	BY	BY	BY	BY
W.D. 04947A03001	HSTN 205361				
STATUS OF DRAWING					
TYPE OF PRODUCT					
DR					
NAME OF CUSTOMER/PROJECT					
M/S : C.L.W.					
6331 KVA FRT. LOCD TRFR.					
DISTRIBUTION OF PRINTS					
DRN					
NAME SIGN					
DATE					
APPD					
S.P. GUPTA					
REF TO ASSY DRG.					
WEIGHT (KG)					
38.296					
SCALE 1:1					
GRADE OF					
UNITS					
D.M.C./M.F.					
TECH. UNIT					
CODE					
406					
TITLE					
DOWN-LOWER TIGHTENING PLATE					
DRAWING NO. 14664450018					
SHEET NO. 00					

VARNO	REMARKS	ITEM NO.	DESCRIPTION	DRAWING NO.	VAR	MATL. SPECN.	QTY.
001	TD DETAIL	001	LOWER INFERIOR PLATE PERMA WOOD		AA 22002		038.296
			80TK x 420 x 1620 LG.				001



CALL DIMENSIONS IN MM

DRG. NO. 14664450018