



AN ISO 9001
COMPANY

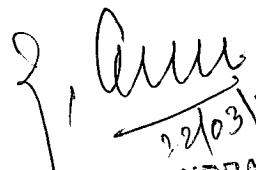
Bharat Heavy Electricals Limited
(A Govt. of India Undertaking)
High Pressure Boiler Plant, Tiruchirappalli 620 014, India
Phone: (0431) 2577378
Fax: (0431) 2520719
e mail : rrvavic@bheltry.co.in

Ref : 2661400169/75
Date: 22.03.2014

CORRIGENDUM No. 1

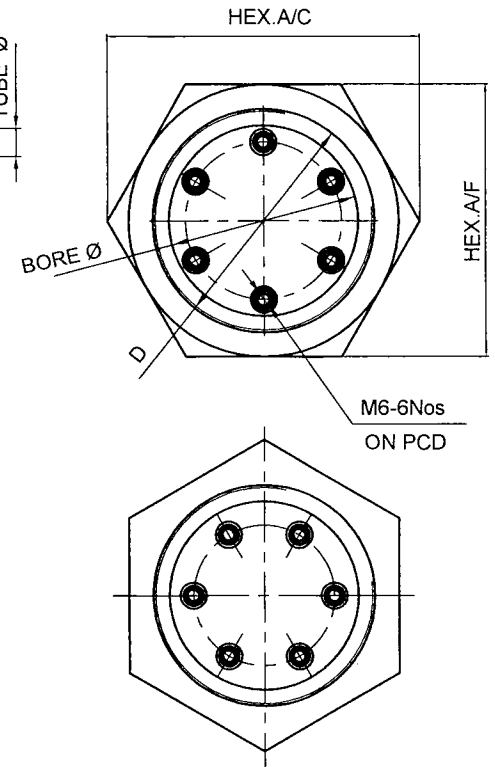
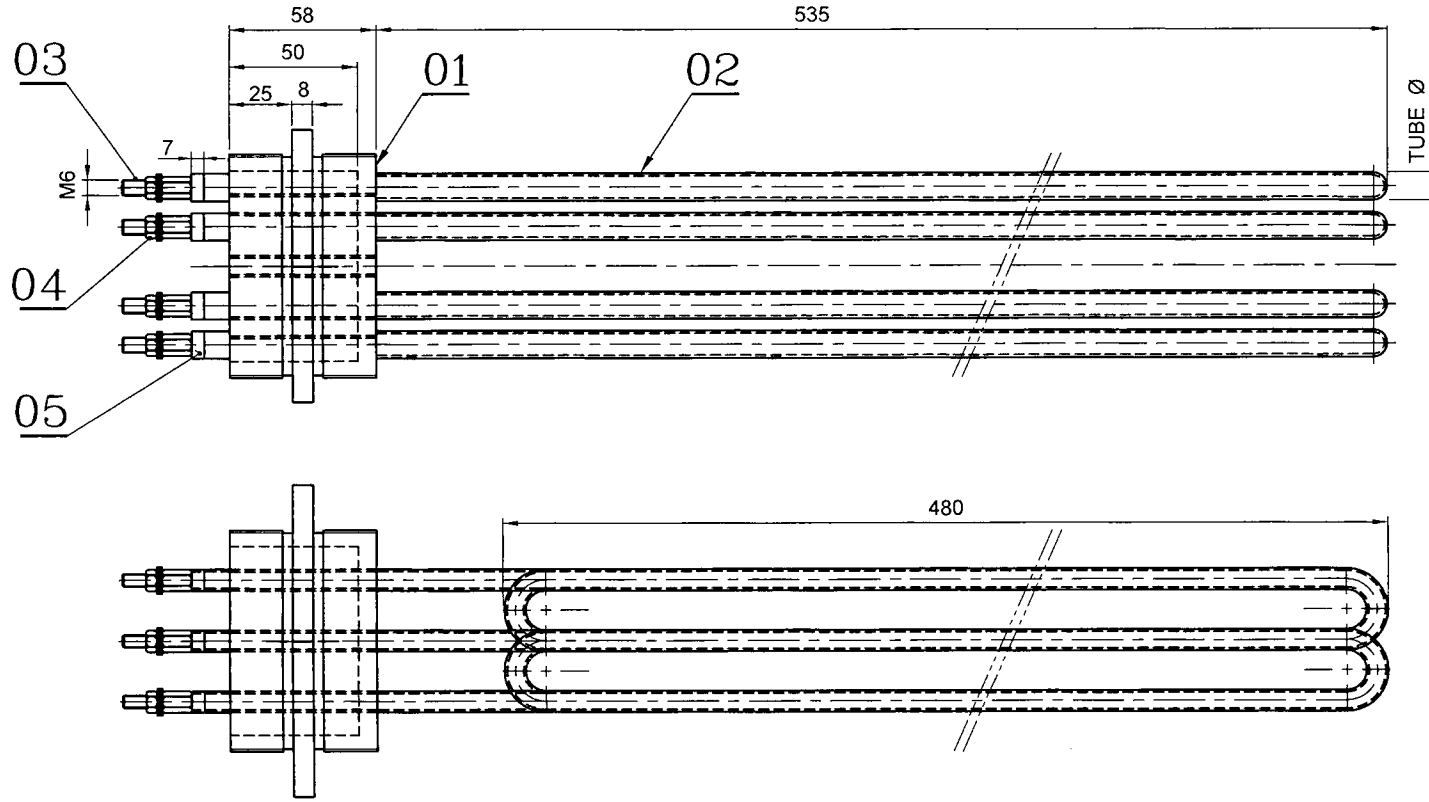
With reference to BHEL enquiry ref: 2661400169 - 75 Dt. 14.03.2014, hosted in BHEL & NIC Portal on 19.03.2014 vide reference: NIT - 16962, for SUPPLY OF LPG VAPORISER SPARES.

In addition to previous tender documents drawing No -3E20B2515092 Rev 01 is attached for the relevant tender.


22/03/14
R. RAVICHANDRAN
Manager
Purchase / CM / BE / OP & SP
BHEL, TRICHY - 620 014.

THIS DRAWING IS OUR STYLE PROPERTY AND SHOULD NOT BE USED IN ANY FORM FOR ANY PURPOSE WITHOUT THE WRITTEN PERMISSION OF BHARAT HEAVY ELECTRICALS LIMITED

ALL DIMENSIONS ARE IN MM



LPG VAPOUR HEATER		BORE Ø	THREAD SIZE D	TUBE LENGTH L	TUBE Ø	A/C	A/F
04	500 Kg/hr.	12 KW	62	2 1/2" BSP	2160	Ø10.6	85 98
03	500 Kg/hr.	18 KW	75	3" BSP	2160	Ø10.6	106 122
02	1000 Kg/hr.	18 KW	62	2 1/2" BSP	2160	Ø10.6	85 98
01	1000 Kg/hr.	15 KW	75	3" BSP	2160	Ø8	106 122

NOTE: -

01. ITEM NO.02: TUBE OUTSIDE NICKAL PLATED

02. INSIDE ELEMENT MATERIAL "KANTHAL-D"

01

6	INSULATOR Ø10.5/5-8L	PORCELAIN			05
12	HEX.LOCKNUT M6		IS: 1363		04
6	STUD M6x35L	45C8	IS: 7283		03
3	TUBE Ø10.5x1t-2160L	CuZn.30	IS: 4170		02
1	FLANGE	PHOSPHOR BRONZE Gr.4	IS: 28		01

No. of Pieces	DESCRIPTION	MATERIAL	STANDARD	NET.WT.IN KGS.	DRAWING No.	ITEM No.
	REFERENCE: DRG.No.:		ALTERATIONS:	DCN REF	DATE	SIGN.
					14.06.13	K.R
SCALE	DRN	G.Govindaraj	ITEM No. 04	ADDED		01
1:2	CHD	R.Ramamurthy				
	APPD	K.Ramanan				
	DATE	22/03/13				
	MACHINE:	GAS PLANT		TYPE:	LPG	
	TITLE:	HEATING ELEMENT (VAPOURISER)		DRAWING No:	REV.	
				3E20B251509201		
				Sheet No	No. of Sheets:	