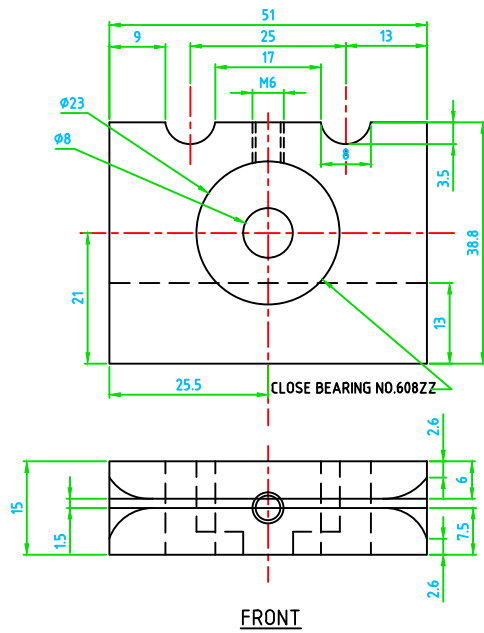
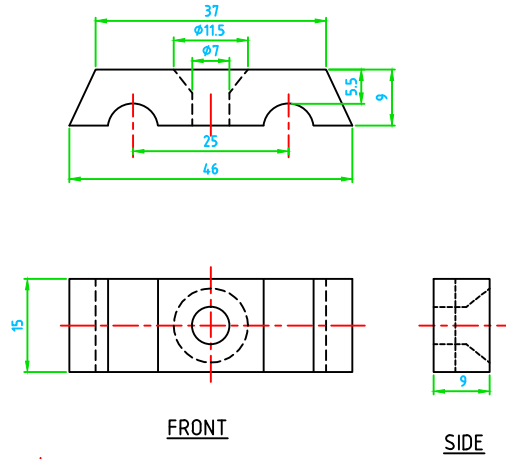


ITEM NO.-1 TOP



TOP



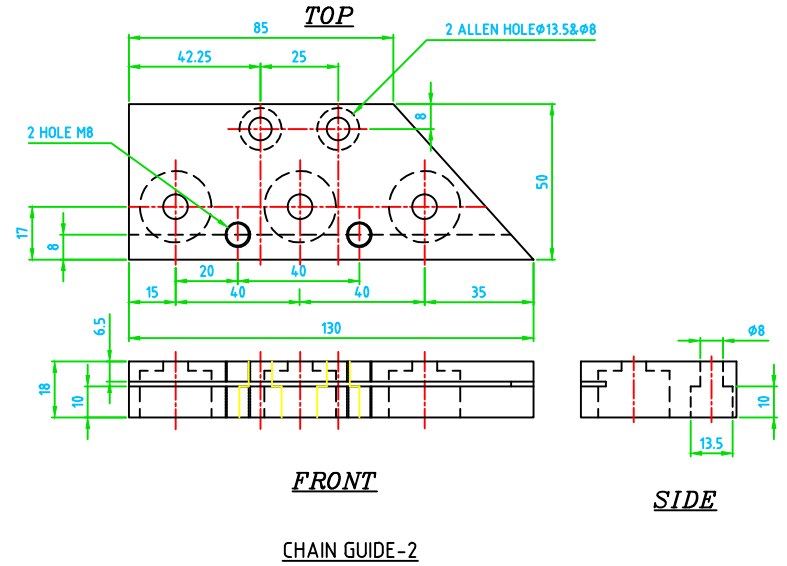
FRONT

SIDE

SIDE

CHAIN GUIDE-1

ITEM NO.-2



FRONT

SIDE

CHAIN GUIDE-2

NOTE:
AS PER SHEET 10 OF 21

FILE NAME GUIDES FOR CNC GEORG #1077 BAY-5	FSCM NO	SHEET 17 OF 21	SCALE N.T.S
SIZE A4		BHARAT HEAVY ELECTRICALS LTD.JHANSI	
DRAWN 31-10-14	ANAND KUMAR	GUIDE WAY FOR GEORG # 1077	
CHECK	V.K. GUPTA	CHAIN GUIDE 1&2	
APPR.	NITIN GAUR		
ISSUED			
REV 01		DWG NO	
CONTRACT NO		-BHEL/JHS/WE&S/A4 -1926	