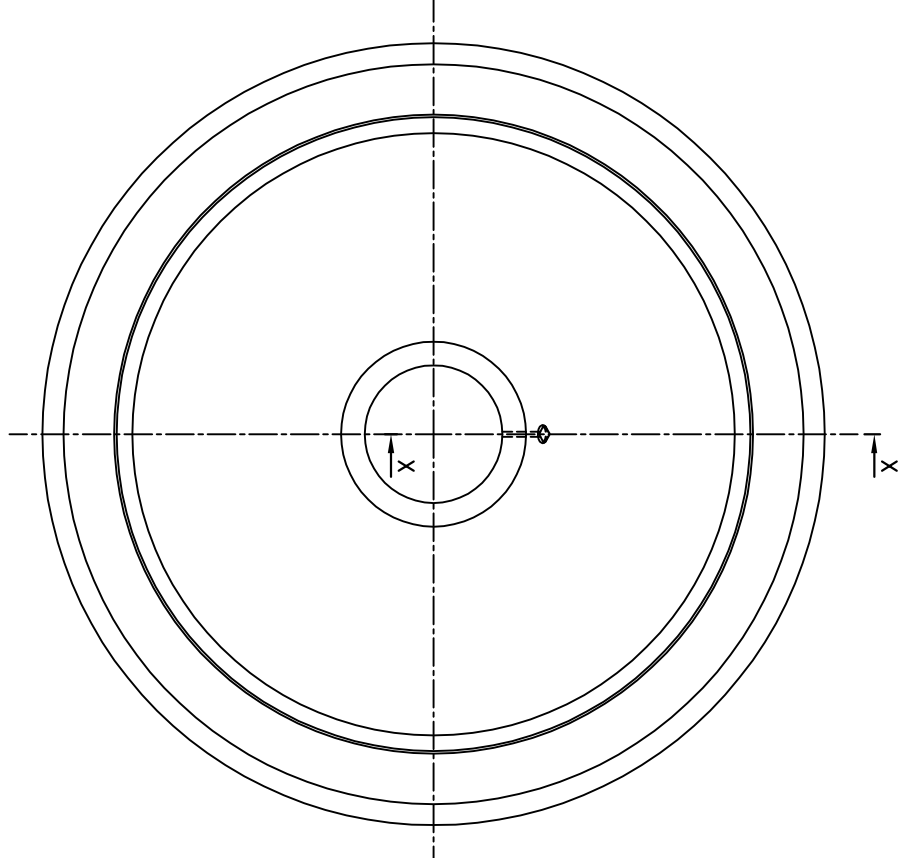
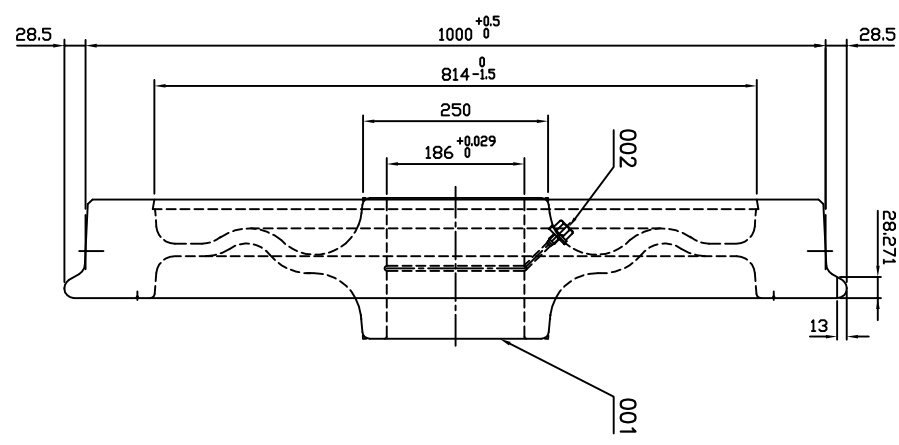
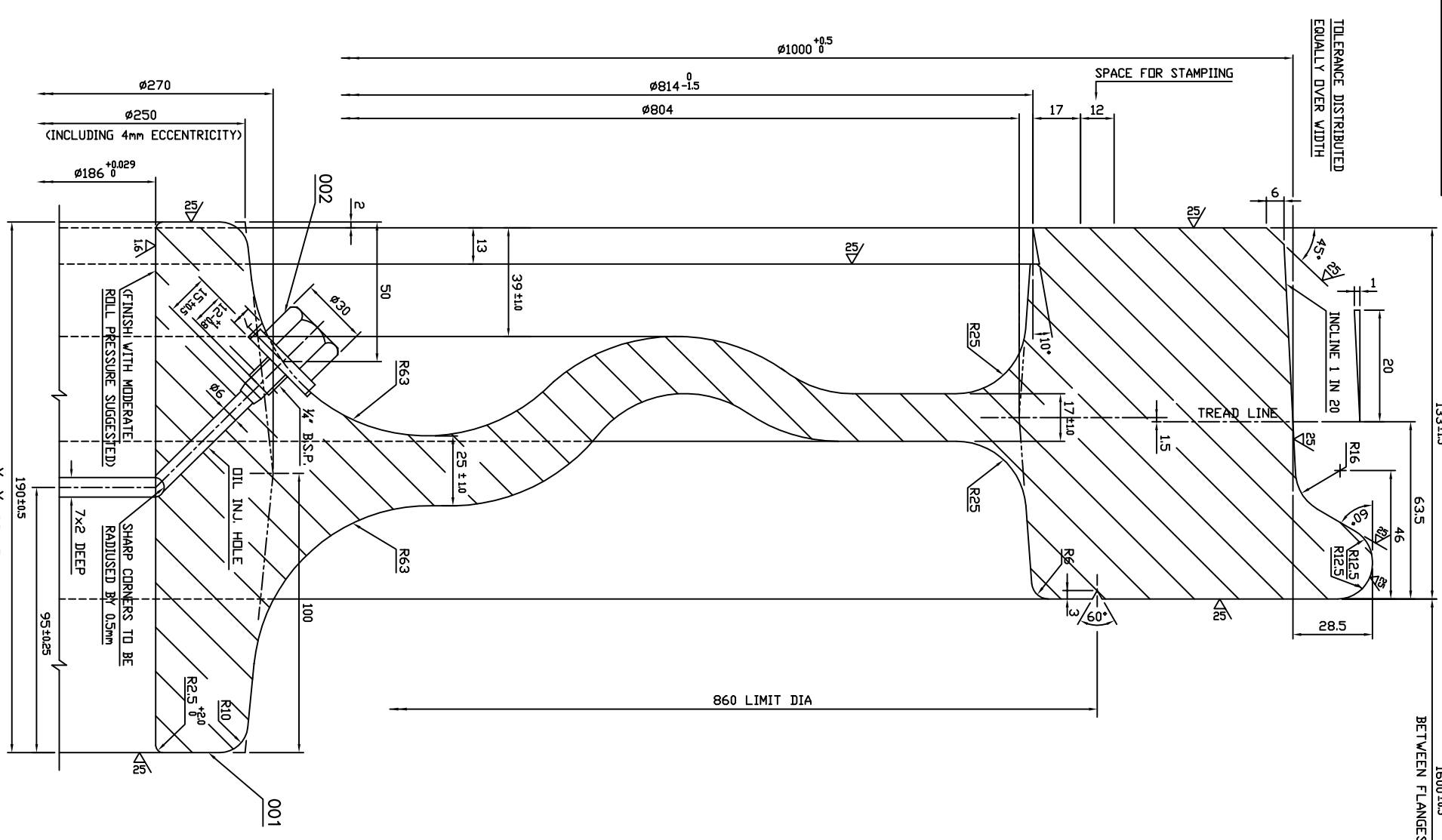


THE INFORMATION ON THIS DOCUMENT IS THE PROPERTY OF BHARAT HEAVY ELECTRICALS LIMITED. IT MUST NOT BE USED DIRECTLY OR INDIRECTLY IN ANY WAY DETRIMENTAL TO THE INTEREST OF THE COMPANY.



NOTE:-
1. FINISH (PAINTING):-
(i) THE FINISHED BORE TO BE COATED LIBERALLY BY SUITABLE PETROLIUM JELLY.
(ii) OTHER SURFACES TO BE GIVEN TWO COATS OF RED OXIDE PRIMER AFTER SHOT BLASTING (PROTECT THE BORE, WHILE SHOT BLASTING).
FINALLY OUT SIDE SURFACE OF RIM TO BE GIVEN TWO COATS OF SILVER WHITE SYNTHETIC ENAMEL. REMAINING SURFACE TO BE GIVEN TWO COATS OF MATT BLACK SYNTHETIC ENAMEL.

2. ITEM 002 TO BE CADMIUM PLATED AND PASSIVATED TO 0.005TK.

THIS DRG. SUPERSEDES DRG. NO. 1 718 11 01 002

STYLE NO.	ITEM VAR	DESCRIPTION	VERIFIED SIGN DATE
958510	00	WHEEL (DIA 1000)	

REV	DATE	DESCRIPTION	SD/-
001		B.O.T	
001		B.O.T	
001		WHEEL	
001		REMARKS	

REV	DATE	DESCRIPTION	SD/-
001		B.O.T	
001		B.O.T	
001		WHEEL	
001		REMARKS	

REV	DATE	DESCRIPTION	SD/-
001		B.O.T	
001		B.O.T	
001		WHEEL	
001		REMARKS	

REV	DATE	DESCRIPTION	SD/-
001		B.O.T	
001		B.O.T	
001		WHEEL	
001		REMARKS	