



BHARAT HEAVY ELECTRICALS LIMITED

(A Government of India Undertaking)

HIGH PRESSURE BOILER PLANT

PURCHASE DEPARTMENT - FOSSIL BOILERS

THIRUCHIRAPALLI - 620014

TAMILNADU (INDIA)

PHONE :2577419

GRAMS : BHARATELEC

FAX NO: 2520719

E-mail: cmuthuvel@bheltry.co.in

Web:

429-002/A

	Enquiry No	Enquiry Date	Due Date for Quotation
	1901500103 - 54	11.04.2015	07.05.2015
Please quote Enquiry No, Date and due date in all correspondences. This is only a request for quotation and not an order			

Item	Description	Unit	Quantity	Delivery Quantity	Schedule Date
10	170170510000 HOSE PLUG 3/4"X1/2" TO DRG 4M20B1326690Z. The following material code items are mating and interchangeable components hence dimensions should be maintained strictly as per Drgs. mcd:170300570000,170300580000,170170510000 to 170170530000. 10 nos Sample in all the 5 items shall be submitted for approval before bulk supply. Supplier identification shall be marked in all the 5 items. (Purchase may order on single source for all the 5 items)	NO	2000.000	2,000.00	31.05.15
20	170170520000 HOSE PLUG 3/4"X3/4" TO DRG 4M20B1327468Z. The following material code items are mating and interchangeable components hence dimensions should be maintained strictly as per Drgs. mcd:170300570000,170300580000,170170510000 to 170170530000. 10 nos Sample in all the 5 items shall be submitted for approval before bulk supply. Supplier identification shall be marked in all the 5 items. (Purchase may order on single source for all the 5 items)	NO	2000.000	2,000.00	31.05.15
30	170170530000 HOSE PLUG 3/4"X3/8" TO DRG 4M20B1326689Z. The following material code items are mating and interchangeable components hence dimensions should be maintained strictly as per Drgs. mcd:170300570000,170300580000,170170510000 to 170170530000. 10 nos Sample in all the 5 items shall be submitted for approval before bulk supply.	NO	500.000	500.00	31.05.15

The offers should reach us 30 minutes before the time of opening of tenders.
 The offers will be opened at 14.30 hrs on the due date of tender in the presence of tenderers who have submitted their offer and who may like to be present for the tender opening.Late and delayed offers are liable to be rejected.

Yours faithfully,
 For **BHARAT HEAVY ELECTRICALS LIMITED**

(Signature)
 MANAGER / PURCHASE
 (FOSSIL BOILERS)
 Yours faithfully / PSS

A. ARUL VIJAY
 Engineer
 Materials Management / PSS
 BHHEL, THIRUCHIRAPALLI - 620 014

Mats. Mgmt. / Raw Materials
 Thiruchirappalli - 620 014.



BHARAT HEAVY ELECTRICALS LIMITED

(A Government of India Undertaking)
HIGH PRESSURE BOILER PLANT
PURCHASE DEPARTMENT - FOSSIL BOILERS
THIRUCHIRAPALLI - 620014
TAMILNADU (INDIA)

Page 2/3
PHONE :2577419
GRAMS : BHARATELEC
FAX NO: 2520719
E-mail: cmuthuvel@bheltry.co.in
Web:

1901500103 / 11.04.2015

Supplier identification shall be marked in all the 5 items.
(Purchase may order on single source for all the 5 items)

40 170300570000 NO 3000.000 3,000.00 31.05.15

Q R COUPLING TO DRG
4M-20B-13-27461(3/4" BSP-QRC)
with part DRGS: SOCKET -
3M-20B-13-12460-Z, SLEEVE -
4M-20B-13-27443-Z.

The following material code items are mating and interchangeable

components hence dimensions should be maintained strictly as per Drgs.

mcd:170300570000,170300580000,
170170510000 to 170170530000.

10 nos Sample in all the 5 items shall be submitted for approval before bulk supply.

Supplier identification shall be marked in all the 5 items.

(Purchase may order on single source for all the 5 items)

50 170300580000 NO 2000.000 2,000.00 31.05.15

Q R COUPLING TO DRG 4M-20B-13-27444
(3/4" BSP-QRC)
with part DRGS: SOCKET -
3M-20B-13-12498-Z, SLEEVE -
4M-20B-13-27443-Z.

The following material code items are mating and interchangeable

components hence dimensions should be maintained strictly as per Drgs.

mcd:170300570000,170300580000,
170170510000 to 170170530000.

10 nos Sample in all the 5 items shall be submitted for approval before bulk supply.

Supplier identification shall be marked in all the 5 items.

(Purchase may order on single source for all the 5 items)

General Note:

1. THIS ENQUIRY IS A TWO PART BID ENQUIRY.
2. VENDOR IS REQUESTED TO SUBMIT THEIR OFFERS IN THE FORMAT MENTIONED IN ANNEXURE - A.
3. MSE VENDORS ARE REQUESTED TO SUBMIT THE REQUIRED DOCUMENTS FOR CLAIMING 20% MSE RESERVATION AS INDICATED IN THE S.NO.19 OF ANNEXURE - A.
4. VENDOR FAILS TO SUBMIT THE DOCUMENTS IN THE OFFER FOR THE MSE RESERVATION WILL NOT BE CONSIDERED FOR THE SAME 20% RESERVATION CLAIM AND NO FURTHER CLARIFICATION WILL BE CALLED, FOR THE SUBMISSION OF MSE

The offers should reach us 30 minutes before the time of opening of tenders. The offers will be opened at 14.30 hrs on the due date of tender in the presence of tenderers who have submitted their offer and who may like to be present till the opening. Late and delayed offers are liable to be rejected.

Stamp:
Materials Management / PSS
BHEL, TIRUCHI - 620 014

Yours faithfully,
For BHARAT HEAVY ELECTRICALS LIMITED

Signature:
for *[Signature]*
MANAGER IN CHARGE
(FOSSIL BOILERS)
Purchase / PSS
Mtl. Mgnt. / Raw Materials
BHEL, Tiruchirappalli - 620 014.



BHARAT HEAVY ELECTRICALS LIMITED

(A Government of India Undertaking)
HIGH PRESSURE BOILER PLANT
PURCHASE DEPARTMENT - FOSSIL BOILERS
THIRUCHIRAPALLI - 620014
TAMILNADU (INDIA)

Page 3/3
PHONE :2577419
GRAMS : BHARATELEC
FAX NO: 2520719
E-mail: cmuthuvel@bheltry.co.in
Web:

1901500103 / 11.04.2015

CERTIFICATES.

5. ALL THE SPECIFICATIONS MUST BE ACCEPTED BY THE BIDDER WITHOUT FAIL.
6. MAIL / FAX OFFERS WILL NOT BE CONSIDERED FOR EVALUATION.
7. EX-WORKS / EX-GODOWN OFFERS WILL BE SUMMARILY REJECTED.
8. THIS ENQUIRY WILL BE EVALUATED ON PACKAGE BASIS (i.e. L1 VENDOR WILL BE CALCULATED BASED ON THE LANDED COST TO BHEL BASIS BY ADDING ALL THE INDIVIDUAL ITEM VALUE TOGETHER).
9. SINCE IT IS A PACKAGE ENQUIRY, PARTIAL QUOTE WILL BE DISQUALIFIED.

ENCLOSURES:

- ANNEXURE - A
- ANNEXURE - B
- ANNEXURE - C (PRICE BID)
- ANNEXURE - D
- ANNEXURE - I
- ANNEXURE - S

VENDORS ARE REQUESTED TO SIGN AND SEAL ALL THE ANNEXURES ATTACHED ABOVE & TENDER DOCUMENT AND SUBMIT THE SAME ALONG WITH THEIR OFFER.

Enclosures:

"LD clause has to be confirmed without fail."

The offers should reach us 30 minutes before the time of opening of tenders. The offers will be opened at 14.30 hrs on the due date of tender in the presence of tenderers who have submitted their offer and who may like to be present at the tender opening. Late and delayed offers are liable to be rejected.

11.04.2015
Engineer
Materials Management / PSS
BHEL, TIRUCHY - 620 014.

Yours faithfully,
For BHARAT HEAVY ELECTRICALS LIMITED

[Signature]
MANAGER, PURCHASE
(FOSSIL BOILERS)
Yours faithfully,
Mats. Mgmt / Raw Materials
BHEL, Tiruchirappalli - 620 014.

ANNEXURE - A

TERMS AND CONDITIONS OF THE ENQUIRY (TWO PART BID)

1. The enquiry will be operated on two part bid basis i.e.
 - (I) **Techno - Commercial Bid &**
 - (II) **Price Bid.**
2. The Part - I (Techno - Commercial Bid) and Part - II (Price Bid) are to be submitted in a single envelope with the super scribed as **“Techno - Commercial Bid and Price Bid for Enquiry No: Dt.: Due Dt.:”**

2.1 Techno-Commercial Bid:

- a. Duly signed **Enquiry Document**
- b. Duly signed **Annexure – A**
- c. Duly filled and signed **Annexure – B**
- d. Duly signed **un-filled Annexure – C**
- e. Duly filled and signed **Annexure – D (Applicable only for new vendors. Also enclose the copies of supporting documents wherever necessary)**
- f. Sample should be submitted along with Techno-Commercial Bid where sample is insisted in the Enquiry, if sample is not received for the Enquiry where BHEL is insisted, that offer will be summarily rejected. If sample is insisted in the enquiry, then the sample should be super scribed with the enquiry sl. no for identification and evaluation. Samples without the identification will not be considered and offer will be rejected.
- g. Duly signed **Annexure – S (If mentioned in the enquiry)**

You are requested to put the above documents inside a separate sealed envelope and this envelope shall be super scribed as **“Part I – Techno - Commercial bid for Enquiry No: Dt.: Due Dt.:”**

2.2 Price Bid:

- a. Duly signed and filled in Price bid (Annexure – C) with price details.

You are requested to put the price bid inside a separate sealed envelope and this envelope shall be super scribed as **“Part II – Price bid for Enquiry No: Dt.: Due Dt.:”**

2.3 Each envelope should be sealed with bidder’s distinctive seal.

2.4 Two or more enquiry quotations should not be sent in single envelop.

2.5 Quotation against each enquiry should be sent in a separate envelope to avoid confusion.

2.6 Offer should not be addressed to any individual's name.

3. Your offer should be addressed to:
**The Manager,
Purchase Department / PSS,
Materials Management / Raw Materials,
24 Building (4th Floor),
Bharat Heavy Electricals Limited,
Tiruchirappalli - 620 014.**

4. Please submit point wise compliance to our specifications, terms and conditions. Otherwise it will be presumed that you are accepting BHEL's terms and conditions.

5. The offer along with the sample if insisted in the Enquiry should reach our office on or before the due date as mentioned in the enquiry by 14.00 Hrs. Offers received after 14.00 Hrs will not be considered for evaluation and it will be summarily rejected. Offers through E-Mail/Fax will not be accepted. Any techno commercial

clarifications/request for tender due date extensions with valid acceptable reasons to be addressed to BHEL prior to 48 hours of tender due date. BHEL reserves the rights to extend the due date as per their discretion.

6. Tender will be opened on the due date as mentioned in the enquiry. If the due date falls on holiday, the tender document will be opened immediately on the next working day.
7. Quoted price/rate should be valid for minimum of 90 days from the date of price bid opening. The quoted/Finalized rates shall be Firm till the completion of the supplies.
8. The rates are to be quoted on F.O.R. destination basis only. It should be inclusive of Packing & Forwarding and Freight & Insurance. Other delivery conditions like Ex-works / Ex-Godown will be summarily rejected.
9. Offers should be **free** from **CORRECTION and ERASURES**.
 - a. Corrections if any must be attested;
 - b. All amounts shall be indicated both in words as well as in figures.
 - c. If there is difference between amount quoted in words and figures, amount quoted in words shall only be considered.
 - d. If, in the price structure quoted for the required goods/services/works, there is discrepancy between the unit price and the total price (which is obtained by multiplying the unit price with the quantity), the unit price shall prevail and the total price will be corrected accordingly, unless in the opinion of the purchaser that there is an obvious misplacement of the decimal point in the unit price, in which case the total price as quoted shall govern and the unit price will be corrected accordingly.
 - e. If there is an error in a total corresponding to the addition or subtraction of subtotals, the subtotals shall prevail and the total shall be corrected accordingly.
 - f. If there is a discrepancy between words and figures, the amount in words shall prevail, unless the amount expressed in words is related to an arithmetic error, in which case the amount in figures shall prevail subject of (d) and (e) above.
10. No revision of prices will be entertained after enquiry is opened.

11. Payment Terms (Indigenous):

Payment term is 100% direct payment after 45 days from the date of receipt and acceptance of materials. Any deviation in the above payment term will attract loading as mentioned below.

“Base rate of SBI (as applicable on the date of bid opening. Techno-commercial bid opening in case of two part bids) + 6% shall be considered for loading for the period of relaxation sought by bidders.

12. Liquidated Damages / Penalty:

(Any deviations in the LD shall attract loading to the extent of relaxation sought to which it is not agreed by the bidder at offered value).

Single delivery schedule:

If the Supplier fails to deliver the P.O quantity within the period specified in the contract, then the Purchaser shall deduct liquidated damages, 0.5% of the total order value per week of delay or part thereof subject to a maximum of 10% of the total order value.

13. RISK PURCHASE:

Alternatively the purchaser at his option will be entitled to terminate the contract and to purchase elsewhere at the risk and cost of the seller either the whole of the goods or any part which the supplier has failed to deliver or dispatch within the time stipulated as aforesaid or if the same were not available, the best and the nearest available substitutes therefore. The supplier shall be liable for any loss, which the purchaser may sustain by reason of such risk purchases in addition to penalty at the rate mentioned in our LD clause.

14. SALES TAX:

If any sales tax is payable as extra to the quoted price it should be specifically stated in quotations along with CST & VAT Number failing which the purchaser will not be liable for payment of sales tax. Our TIN 33243560005 dt.01.01.2007 & CST no 239383 DT, 11.06.1991.

15. CENVAT CREDIT:

If any Excise Duty is payable, the Chapter Head / Sub -head reference and the rate of the duty should be quoted. If the bidder is availing CENVAT credit for this input material, the effect of Proforma credit should be passed on to the purchaser. Bidder under "CENVAT" shall be preferred.

16. On the due date of enquiry opening, only the Techno - Commercial bids will be opened. Techno - Commercial bids will be evaluated by us and clarifications required, if any, will be called for from the bidders on technical and commercial points. The price bids of techno-commercially suitable bidders will be opened on a later date with prior intimation to respective bidders.

17. Ranking L-1, L-2 etc. shall be done for package basis for the techno-commercially acceptable offers based on the landed cost to BHEL, Trichy.

18. In the event of more than one vendor becoming L1 for any of the item / items, the enquiry quantity for those item / items will be shared equally among all the L1 vendors and not mentioned in the point no 19 below.

19. SPECIAL PROVISIONS FOR MICRO AND SMALL ENTERPRISES (MSE) BIDDERS:

i. 20% of the tendered quantity is earmarked for MSE suppliers in this tender.

ii. Out of the 20% tendered quantity reserved for MSE suppliers, 4% shall be earmarked for procurement from MSE owned by SC / ST entrepreneurs. In event of failure of such Micro and Small enterprises to participate in the tender process or meet the tender requirements and the L1 price, the 4% sub-target for procurement ear-marked MSE owned by SC / ST entrepreneurs shall be met with other MSE enterprise/s.

iii. In case MSE vendor participating in the tender quotes within the price band of L1 + 15%, they will be allowed to supply the portion of the requirement subject to acceptance of L1 price by MSE vendor. In case of more than one such MSE, the supply shall be shared proportionately.

iv. MSE suppliers can avail the intended benefits only if they submit along with the offer, attested copies of either EM II certificate having deemed validity (five years from the date of issue in acknowledgement in EM II) or valid NSIC certificate or EM II certificate along with attested copy of a CA certificate (Format enclosed as per **Annexure I** where deemed validity of EM II certificate of five years have expired) applicable for the relevant financial year (latest audited). Date to be reckoned for determining the deemed validity will be the date of bid opening (Part 1 in case of two part bid). Non submission of such documents will lead to consideration of their bids at par with other bidders. No benefits shall be applicable for the enquiry if any deficiency in the above required documents is not submitted before the price bid opening. If the tender is to be submitted through e-procurement portal, then the above required documents are to be uploaded on the portal. Documents should be notarized or attested by a Gazetted officer. This provision for MSE will apply subject to the condition that the participating MSE meets the tender requirements.

v. In case of any change in the MSE status of the bidder, it shall be the responsibility of the bidder to notify the change as a part of the bid document. If at a later date it comes to the knowledge of BHEL, that the change in the status has not been intimated by the bidder and the order is obtained under the premise of an MSE then BHEL would cancel the pending order against this tender and take necessary steps for suspension of the business dealing with the bidder as per the procurement policy of BHEL.

vi. In case after the bid opening it is seen that no MSE has become L1, then depending on the nature of the item, if it is not possible to split the tendered items / quantities on account of reasons like customer contract requirements of supplying one make for a given project or technical reasons like tendered items being a system, tendered quantity being low etc., then BHEL would not counter offer the L1 prices even though there may be MSE bidders within the +15% band of L1.

20. Lowest price received against BHEL enquiry need not be the technically acceptable one and in that case BHEL reserves the rights to not to consider the same. The purchaser shall be under no obligation to accept the lowest or any other offer and shall be entitled to accept or reject any offer in part or full without assigning any reason whatsoever.

21. BHEL reserves the right to negotiate or re-float the enquiry opened if L1 price is not the lowest acceptable price to them inter-alia other reasons.
22. Any other conditions which might have been quoted by the seller and are in contravention to the terms and prescribed in the enquiry and which have not been specifically accepted by purchaser will not be applicable to the contract.
23. Any corrigendum related to the enquiry will be hosted in the BHEL website only, Bidders should visit the website(s) to keep themselves updated.
24. The correspondence between the bidder and BHEL through email is considered as valid document legally though it is not signed. It is treated as valid confirmations made on behalf of the respective company and comes under the legal ambit of the business transaction and hence binding on both the parties.
25. Bidders participating in the enquiry should declare in their technical bid whether they have been black-listed / kept on hold / given Business holiday for a specified period by any Public Sector Undertaking or Government Departments. The reasons for such action with complete details and the current status of such hold shall be clearly furnished to BHEL. If no such details are mentioned in the offer, it will be construed that the bidder is not under any such hold.
However, at a later date if it comes to the notice of BHEL about any such hold under enforcement, BHEL reserves the right to reject the offer at any point of time and also at any stage of the finalization of the enquiry. Such bidders will not be permitted to participate in the further enquiry proceedings and will be communicated suitably.
26. Bidders not confirming to the enquiry specifications will be disqualified.
27. Conditional offers will be rejected.
- 28. PACKING AND MARKING:**
The supplier shall arrange for securely protecting and packing the materials to avoid loss or damages during transit.
29. In case of any quality rejection of materials, the supplier has to collect the materials at his own cost within the 10 days of rejection of advice. Otherwise the materials will be scrapped.
30. Unloading at BHEL has to be done by the suppliers and BHEL will not be in a position to provide any handling / unloading facilities.

**BHARAT HEAVEY ELECTRICALS LIMITED
TIRUCHIRAPPALLI - 620 014**

**ANNEXURE –B
COMMERCIAL TERMS**

S. NO	DESCRIPTION	BHEL REQUIREMENTS	SUPPLIER CONFIRMATION / DEVIATION (STRIKEOUT WHICHEVER IS NOT APPLICALE)
1	VALIDITY	90 DAYS FROM DATE OF TENDER OPENING	NON DEVIATABLE
2	PRICE QUOTED	FOR-DESTINATION BHEL STORES / TRICHY	NON DEVIATABLE
3	EXCISE DUTY	SUPPLIER OPTION	INCLUSIVE / EXTRA (IF EXTRA, PLEASE QUOTE % BELOW) _____ %
4	VAT	SUPPLIER OPTION	INCLUSIVE / EXTRA (IF EXTRA, PLEASE QUOTE % BELOW) _____ %
5	CST WITH FORM 'C'	SUPPLIER OPTION	INCLUSIVE / EXTRA (IF EXTRA, PLEASE QUOTE % BELOW) _____ %
6	CST WITHOUT FORM 'C'	SUPPLIER OPTION	INCLUSIVE / EXTRA (IF EXTRA, PLEASE QUOTE % BELOW) _____ %
7	DELIVERY SCHEDULE	AS PER BHEL DELIVERY SCHEDULE IN THE ENQUIRY	NON DEVIATABLE
8	PAYMENT TERMS	AS PER TERMS AND CONDITIONS MENTIONED IN THE ANNEXURE - A	ACCEPTED / NOT ACCEPTED
9	LD CLAUSE	AS PER TERMS AND CONDITIONS MENTIONED IN THE ANNEXURE - A	ACCEPTED / NOT ACCEPTED
10	RISK PURCHASE CLAUSE	AS PER TERMS AND CONDITIONS MENTIONED IN THE ANNEXURE - A	NON DEVIATABLE
11	CONTACT PERSON DETAILS	NAME: MOBILE NO: EMAIL :	
12	BIDDERS HAVE TO CONFIRM THAT WHETHER THEY HAVE BEEN BLACK-LISTED / KEPT ON HOLD / GIVEN BUSINESS HOLIDAY FOR A SPECIFIED PERIOD BY ANY PUBLIC SECTOR UNDERTAKING OR GOVERNMENT DEPARTMENTS/ANY OTHER UNITS OF BHEL. (WITH REFERENCE TO TERMS AND CONDITIONS OF ANNEXURE – A)		YES / NO

(BIDDERS SHOULD SUBMIT THEIR OFFER IN THE BHEL FORMAT ONLY, OTHER FORMATS WILL NOT BE CONSIDERED)

SIGN AND SEAL OF AUTHORIZED PERSON

**BHARAT HEAVEY ELECTRICALS LIMITED
TIRUCHIRAPPALLI - 620 014**

**ANNEXURE - D
(FOR NEW VENDORS ONLY)**

SI No	Details	Document Submission
1	Nature of ownership & relevant documents <u>Proprietorship</u> Professional Tax Regn Municipal Regn <u>Partnership firm</u> Partnership Deed <u>Co-operative society</u> Society rules & bye laws <u>Private/Limited Company</u> Memorandum & Articles of Association <u>State Govt. / Govt. Of India Undertaking</u> Memorandum & Articles of Association	YES / NO YES / NO YES / NO YES / NO YES / NO YES / NO
2	Nature of Business (Manufacturing Unit / Engg Consultant / EPC Contractor) (Agents / Distributors / Stockists / Dealers / Traders / Indian Subsidiary / Channel Partner - attach authorization certificate of principal)	YES / NO
2	Manufacturing range & facilities: (If applicable) <ul style="list-style-type: none"> • List down the product range & specification details. • List of Manufacturing facilities/equipment's (including material handling facility) 	YES / NO
3	Licence details of the factory	YES / NO
4	<ul style="list-style-type: none"> • Permanent Account No • Central Sales Tax registration number • State Sales Tax / TIN number • Excise Duty Registration number • Excise Control Code number • Service tax registration number • Regn number of category as per MSMED Act (If applicable) 	YES / NO YES / NO YES / NO YES / NO YES / NO YES / NO
5	If registered with any other BHEL unit <ul style="list-style-type: none"> • Letter of registration with BHEL unit (If applicable) 	YES / NO
6	Accreditation certificate for ISO:9001 / TOC of Quality System manual / ISO:14000 / OHSAS ISO 18000 (If applicable)	YES / NO

ANNEXURE –I

Certificate by Chartered accountant on Chartered Accountant's letter head

This is to certify that M/s....., (hereinafter referred to as 'company') having its registered office atis registered under MSMED Act 2006, (Entrepreneur Memorandum No (Part-II) dated: Category: (Micro/Small) (Copy enclosed).

Further verified from the Books of Accounts that the investment of the company as per the latest audited financial year as per MSMED Act 2006 is as follows:

1. **For Manufacturing Enterprises:** Investment in plant and machinery (i.e. original cost excluding land and building and the items specified by the Ministry of Small Scale Industries vide its notification No.S.O 1722 (E) dated October 5, 2006:
Rs..... Lacs
2. **For Service Enterprises:** Investment in equipment (original cost excluding land and building and furniture, fittings and other items not directly related to the service rendered or as may be notified under the MSM ED Act, 2006:
Rs..... Lacs

(Strike off whichever is not applicable)

The above investment of Rs..... Lacs is within permissible limit of Rs..... Lacs for..... Micro/Small (Strike off which is not applicable) Category under MSMED Act 2006.

Or

The company has been graduated from its original category (Micro/Small) (Strike off which is not applicable) and the date of graduation of such enterprise from its original category is..... (dd/mm/yyyy) which is within the period of 3 years from the date of graduation of such enterprise from its original category as notified vide S.O.No. 3322(E) dated 01.11.2013 published in the gazette notification dated 04.11.2013 by Ministry of MSME.

Date:

(Signature)

Name:

Membership number:

Seal of Chartered Accountant:

**BHARAT HEAVEY ELECTRICALS LIMITED
TIRUCHIRAPPALLI - 620 014**

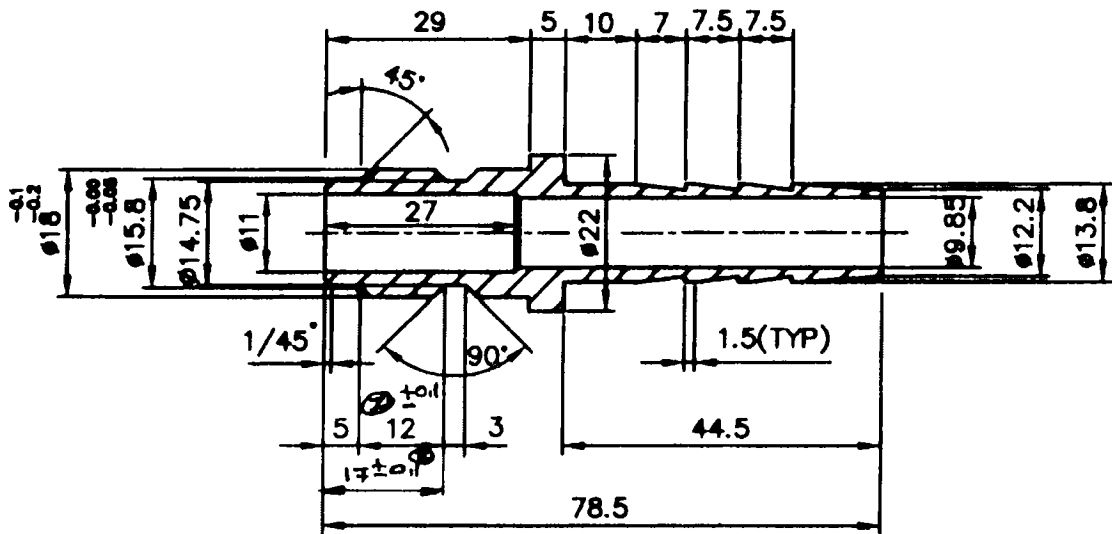
**ANNEXURE -S
SPECIAL CONDITIONS**

1. NO SPECIAL CONDITIONS

ALL DIMENSIONS ARE IN MM

		1.6	✓
--	--	-----	---

CAUTION: THIS DRAWING IS OUR SOLE PROPERTY AND SHOULD NOT BE USED IN ANY FORM FOR ANY PURPOSE WITHOUT THE WRITTEN PERMISSION OF SHARAT HEAVY ELECTRICALS LIMITED TRICHYAPALLI - 608 014.



NOTE: -

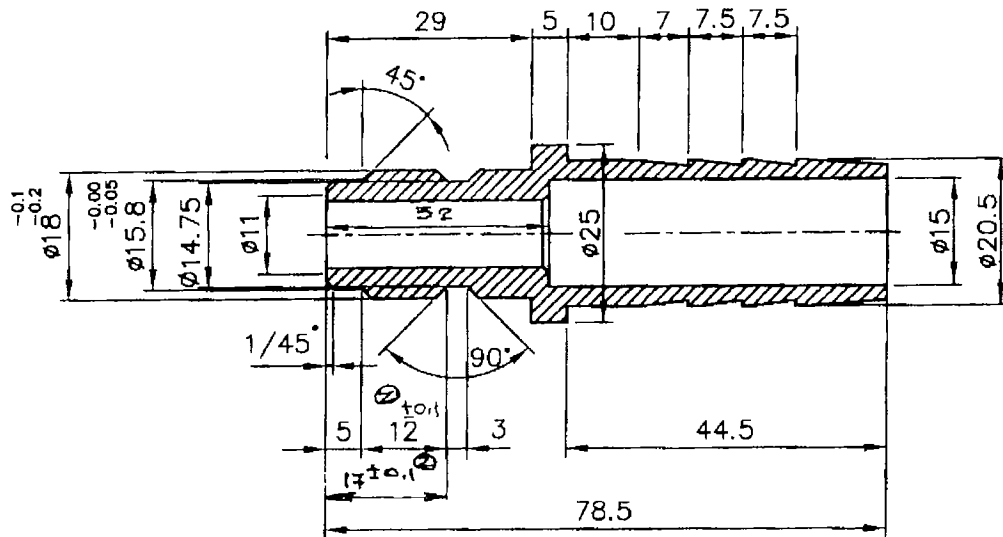
1. REMOVE ALL SHARP CORNERS & EDGES.
2. INNER & OUTER SURFACE TO BE NICKEL PLATED - 12 μm.

		OD22x78.5L	30 C8	IS: 7283	0.05		
		DESCRIPTION	MATERIAL	STANDARD	NET.WT.IN KGS.	DRAWING No.	ISSUE No.
		REFERENCE:	ALTERATIONS:		DCN REF	DATE	SIGN.
			TOL. ADDED		-	10.12.04	CL
SCALE	DRAWN						
1:10	CHECKED						
	APPROVED						
	DATE	28.12.2000/21.08.04					
		MACHINE:	AIR PIPE LINE		TYPE:	4514:01	
		TITLE:	HOSE PLUG		DRAWING No:	REV.	
		(ADAPTOR 3/4" SIZE WITH 1/2" HOSE SHANK)		4M20B1326690		Z	
				Sheet No	No. of Sheets		

CAUTION: THIS DRAWING IS OUR SOLE PROPERTY AND SHOULD NOT BE USED IN ANY FORM FOR ANY PURPOSE WITHOUT THE WRITTEN PERMISSION OF BHARAT HEAVY ELECTRICALS LIMITED TRICHIRAPPALLI - 620 014.

ALL DIMENSIONS ARE IN MM

1.6 / ✓



NOTE: -

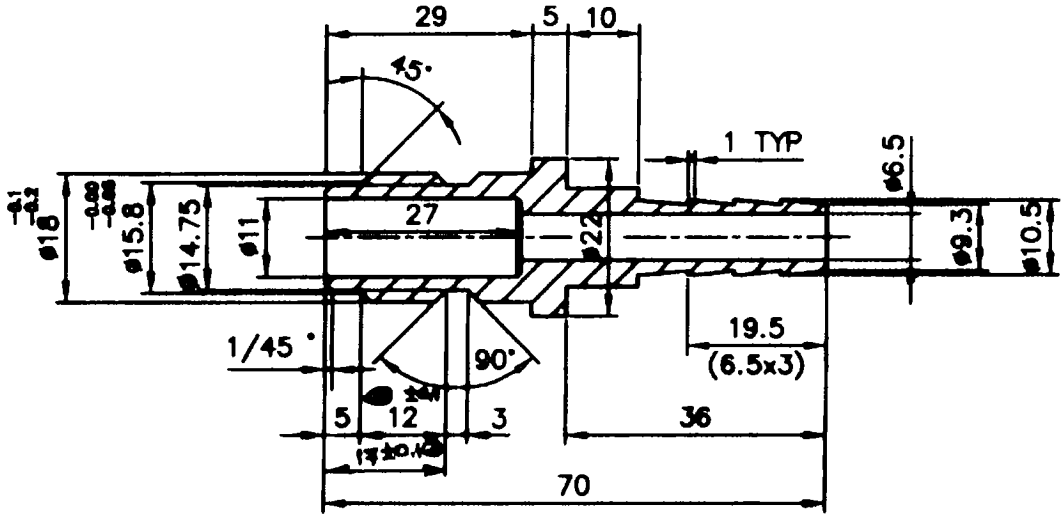
1. REMOVE ALL SHARP CORNERS & EDGES.
2. INNER & OUTER SURFACE TO BE NICKEL PLATED - 12 μm.

		OD22x78.5L	30 C8	IS: 7283	0.10		
No. of Pieces	DESCRIPTION		MATERIAL	STANDARD	NET.WT.IN KGS.	DRAWING No.	
	REFERENCE:			ALTERATIONS:	DCN REF	DATE	SIGN.
				TOL. ADDED	-	10/20/04	
SCALE	DRAWN	M. MANOJAN H.H.A.					
1:1	CHECKED						
	APPROVED						
	DATE	21.09.2004					
MACHINE: AIR PIPE LINE			TYPE: 4514: 01				
TITLE: HOSE PLUG			DRAWING No:				REV.
(ADAPTOR 3/4" SIZE WITH 3/4" HOSE SHANK)			4M20B1327468				
			Sheet No:		No. of Sheets:		

THIS DRAWING IS OUR SOLE PROPERTY AND SHOULD NOT BE USED IN ANY FORM FOR ANY PURPOSE WITHOUT THE WRITTEN PERMISSION OF BHARAT HEAVY ELECTRICALS LIMITED TRENCHNAPALLY - 505 004

ALL DIMENSIONS ARE IN MM

		1.6/	✓
--	--	------	---



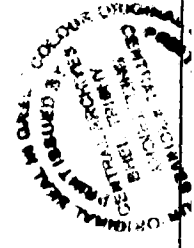
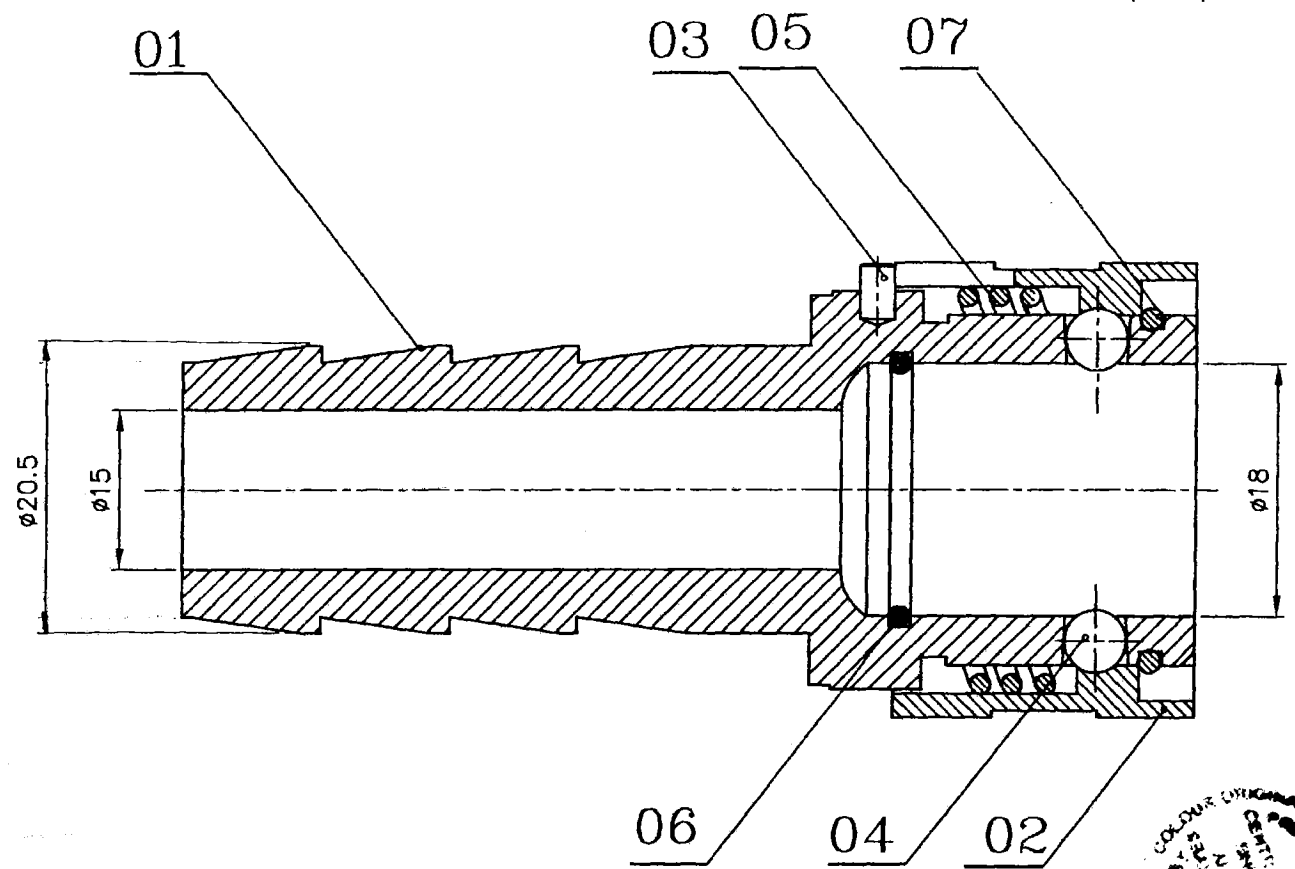
- NOTE: -
1. REMOVE ALL SHARP CORNERS & EDGES.
 2. INNER & OUTER SURFACE TO BE NICKEL PLATED - 12 μm.

<input checked="" type="checkbox"/>	OD22x70L	30 C8	IS: 7283	0.04		
	DESCRIPTION	MATERIAL	STANDARD	NET.WT.IN KGS.	DRAWING No.	ITEM No.
	REFERENCE:	ALTERATIONS:		DCN REF	DATE	SIGN.
		TOL ADDED		-	10.12.04	
SCALE	DRAWN	<i>As per drawing of Hand</i>				
1:1	CHECKED					
	APPROVED					
	DATE	20.12.2000/21.08.04				
	MACHINE:	AIR PIPE LINE		TYPE:	4514:01	
	TITLE:	HOSE PLUG		DRAWING No.	C.COD	REV.
	(ADAPTOR 3/4" SIZE WITH 3/8" HOSE SHANK)			4M20B1326689Z		
		Sheet No.	Sheet Starts			

THIS DRAWING IS OUR SOLE PROPERTY AND SHOULD NOT BE USED IN ANY FORM FOR ANY PURPOSE WITHOUT THE WRITTEN PERMISSION OF BHARAT HEAVY ELECTRICALS LIMITED TRICHIRAPPALLI - 620 014.

CAUTION:

ALL DIMENSIONS ARE IN MM



NOTE:1

ITEM No.6—SHORE HARDNESS 70A ⁺²

1	SPRING PIN ID.22.5x1.5t	50 Cr.IV 23	IS: 3431			07
1	O-RING ID.15.8xOD.21.8x3t	NEOPRINE RUBBER				06
1	COM.SPRING ID.25.8xOD.30 WIRE DIA.1.5	50 Cr.IV23	IS: 3431			05
8	BALL ϕ 4.8	C 75				04
1	LOCK PIN ϕ 2.5x4 L	45 C8	IS: 2507			03
1	SLEEVE	30 C8	IS: 7283	0.001	4-M-20B13-27443	02
1	SOCKET	30 C8	IS: 7283	0.22	3-M-20B13-12460	01

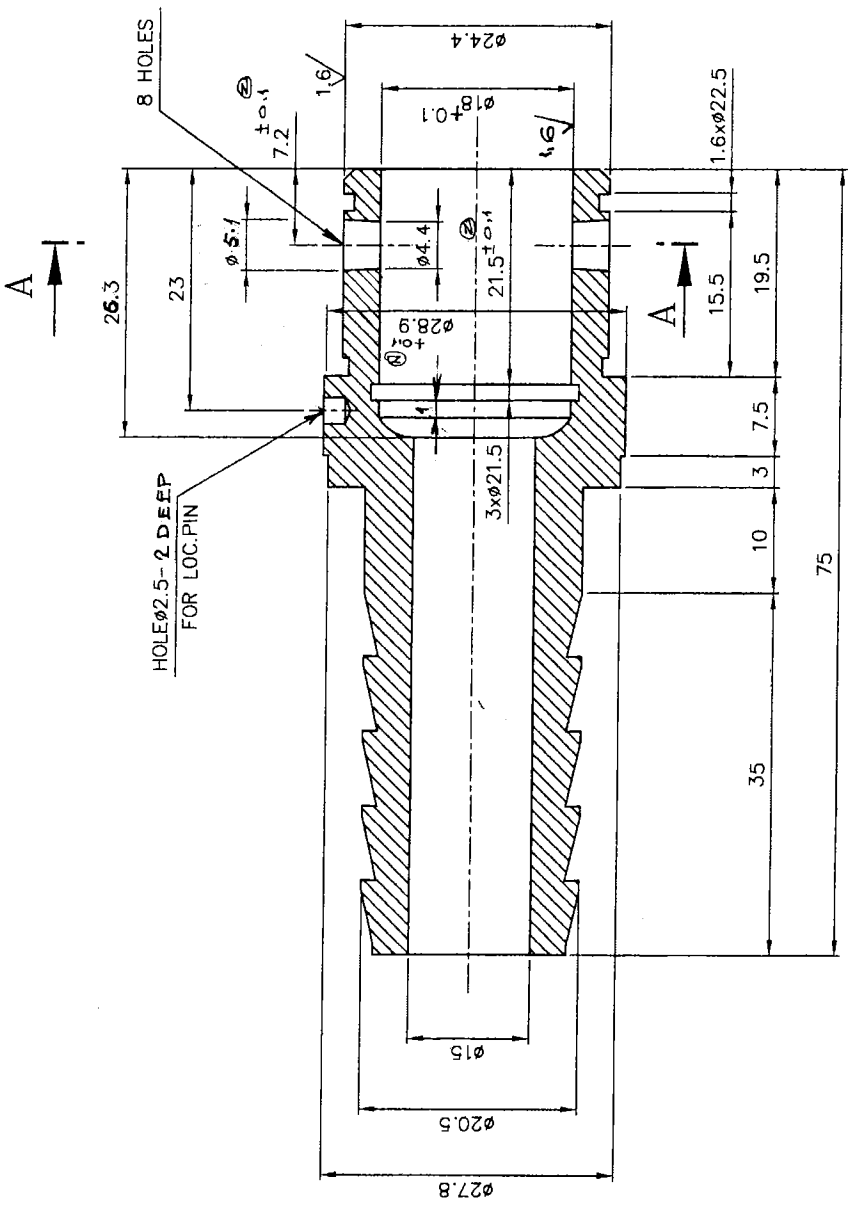
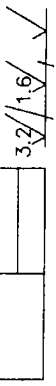
No. of Pieces	DESCRIPTION	MATERIAL	STANDARD	NET.WT.IN KGS.	DRAWING No.	ITEM No.
	REFERENCE:		ALTERATIONS:	DCN REF	DATE	SIGN.

SCALE	DRAWN	P.A.ROSS / <i>[Signature]</i>
2:1	CHECKED	<i>[Signature]</i>
	APPROVED	<i>[Signature]</i>
	DATE	14-09-04

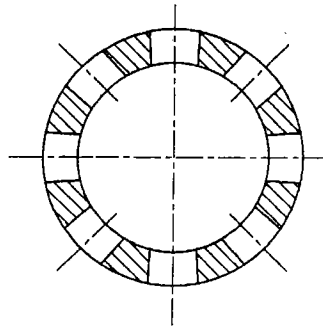
	MACHINE: AIR PIPE LINE	TYPE: 4514.01
	TITLE: Q.R COPULING (3/4" B.S.P-QRC)	DRAWING No: 4M20B1327461
		C.C: 00 REV.
	Sheet No:	No. of Sheets:

ALL DIMENSIONS ARE IN MM

CAUTION: THIS DRAWING IS OUR SOLE PROPERTY AND SHOULD NOT BE USED IN ANY FORM FOR ANY PURPOSE WITHOUT THE WRITTEN PERMISSION OF BHARAT HEAVY ELECTRICALS LIMITED. TRICHIRAPPALLI - 620 014.



NOTE:-
 CHAMFER ALL SHARP CORNERS TO 1/45°
 NICKEL PLATED INNER & OUTER SURFACE - 12 μm.



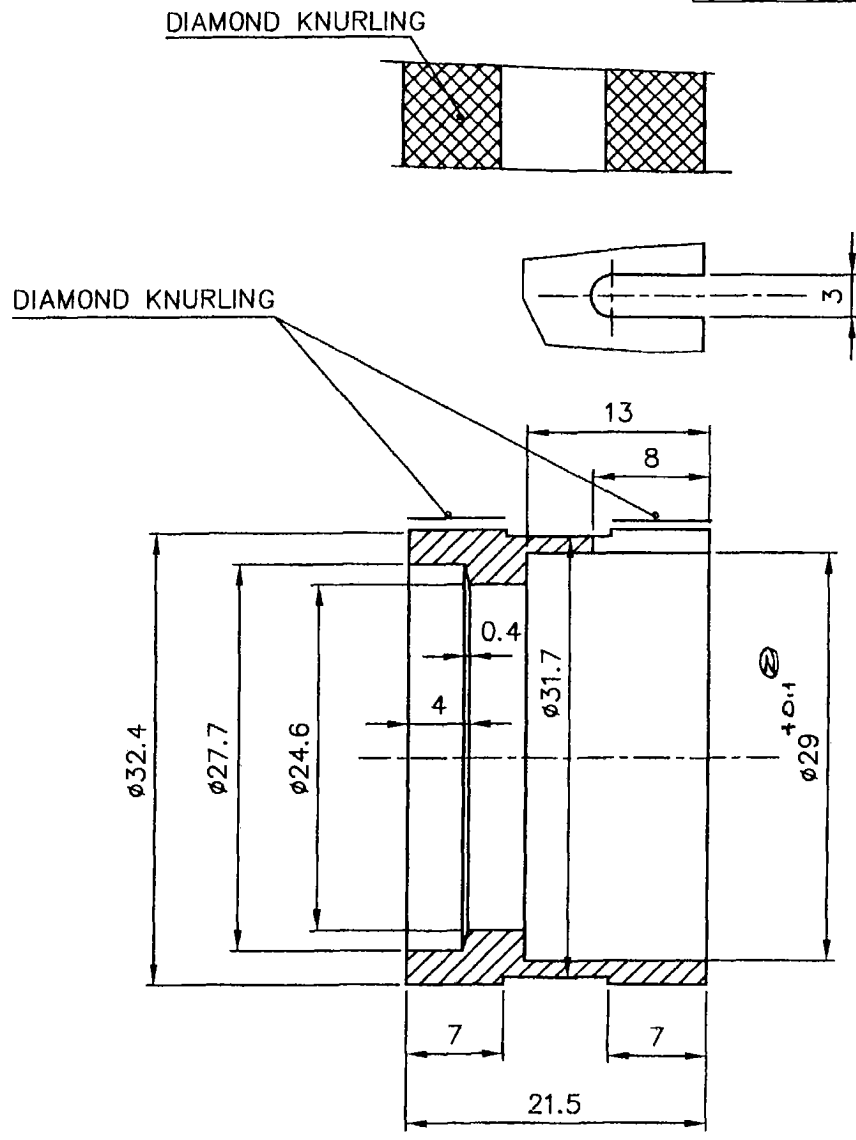
SEC: AA

QTY	029x75 L	DESCRIPTION	30 C8	IS: 7283	NET.WT.IN KGS.	0.220	DRAWING No.	4-M-20B13-2746	ITEM No.	01
REVISIONS		REFERENCE:		STANDARD			DCN REF		STGN.	
SCALE	2:1	DRAWN	P.A.ROSS	ALTERATIONS			DATE	10.12.04	INDEX	
CHECKED		APPROVED		Tol. A B D E D						
DATE	14.05.04									
MACHINE/ AIR PIPE LINE		TITLE		TYPE: 4514:01		DRAWING No		C.C.00		REV.
		SOCKET (3/4" BSP-QRC)		3M20B13		312460				
				Sheet No		No of Sheets				

THIS DRAWING IS OUR SOLE PROPERTY AND SHOULD NOT BE USED IN ANY FORM FOR ANY PURPOSE WITHOUT THE WRITTEN PERMISSION OF BHARAT HEAVY ELECTRICALS LIMITED TRICHIRAPPALLI - 620 014.

ALL DIMENSIONS ARE IN MM

3.2 // ✓, ✓

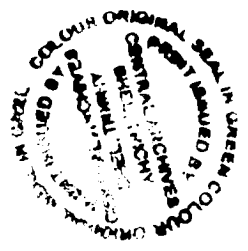
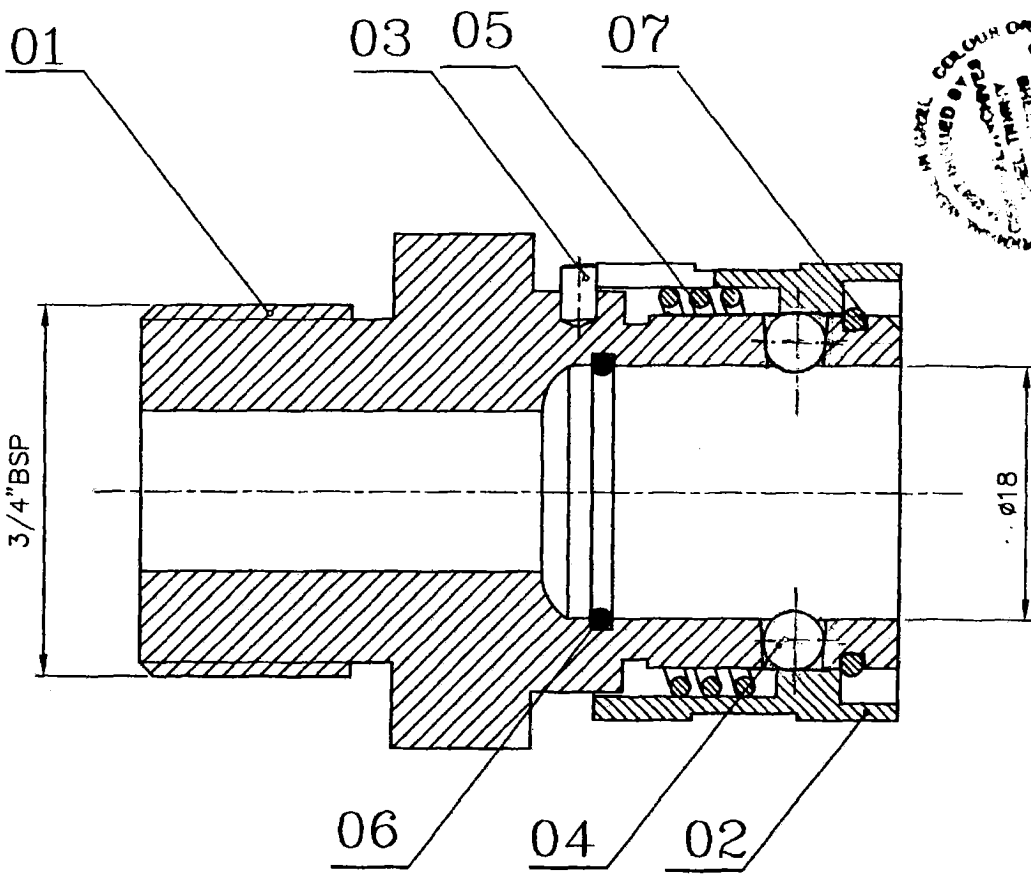
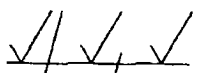


AVOID SHARP CORNERS

INNER & OUTER SURFACE TO BE NICKEL PLATED, 12 μm.

No. of Pieces	DESCRIPTION		MATERIAL	STANDARD	NET.WT. IN KGS.	DRAWING No.	ITEM No.		
	ϕ 32.4 X 21.5 		30 C8	IS: 7283	0.001	4-M-20B13-27444 4-M-20B13-27401	02 02		
REFERENCE:				ALTERATIONS:		DCN REF	DATE	SIGN.	INDEX
				TOL. ADDED		-	10/20/04	<i>cl</i>	⊕
SCALE 2:1	DRAWN	P.A. ROSS / <i>cl</i>							
	CHECKED	R. Ramamurthy							
	APPROVED	<i>[Signature]</i>							
	DATE	17-08-04							
MACHINE: AIR PIPE LINE				TYPE: 4514-01					
TITLE:				DRAWING No:		C.C 00		REV.	
SLEEVE ID.25xOD.32x21.5t (QRC-SOCKET ASSY.)				4M20B1327443					
						Sheet No:		No. of Sheets:	

ALL DIMENSIONS ARE IN MM



NOTE: I

ITEM No.6—SHORE HARDNESS 70A ⁺² ₋

1	LOCK RING ID.22.5x1.5t	50 Cr.IV 23	IS: 3431			07
1	O-RING ID.15.8xOD.21.8x3t	NEOPRINE RUBBER				06
1	COM.SPRING ID.25.8xOD.30 WIRE DIA.1.5	50 Cr.IV23	IS: 3431			05
8	BALL ϕ 4.8	C 75				04
1	LOCK PIN ϕ 2.5x4 L	45 C8	IS: 2507			03
1	SLEEVE	30 C8	IS: 7283	0.001	4-M-20B13-27443	02
1	SOCKET	30 C8	IS: 7283	0.22	3-M-20B13-12498	01

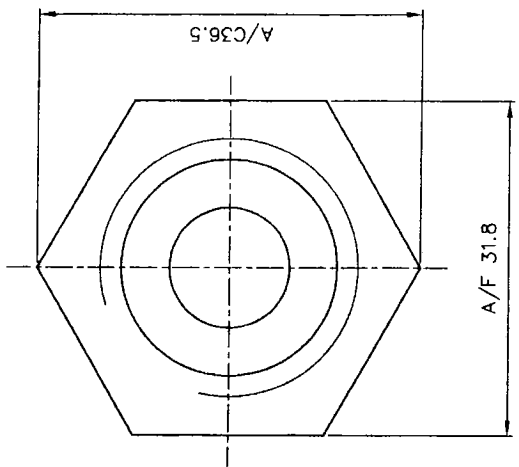
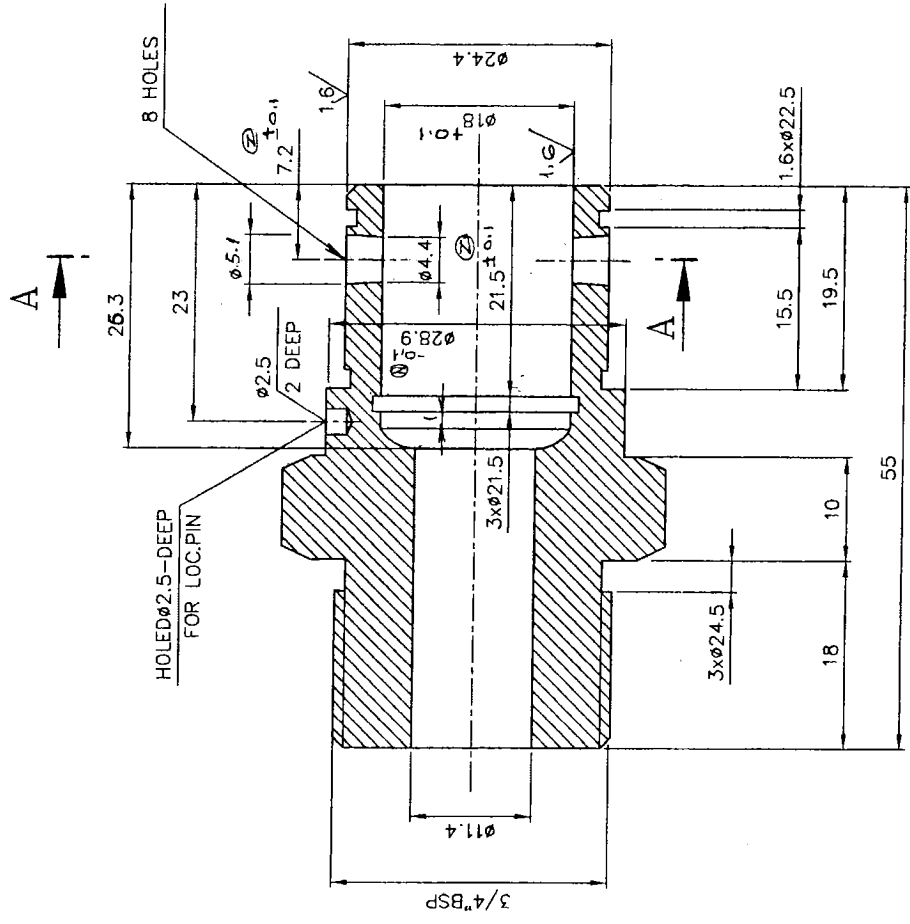
No. of Pieces	DESCRIPTION	MATERIAL	STANDARD	NET.WT.IN KGS.	DRAWING No.	ITEM No.
	REFERENCE:		ALTERATIONS:	DCN REF	DATE	SIGN.
SCALE	DRAWN	P.A.ROSS				
2:1	CHECKED	<i>R. Ramani</i>				
	APPROVED	<i>[Signature]</i>				
	DATE	17-08-04				
MACHINE: AIR PIPE LINE			TYPE: 4514.01			
TITLE: QR COUPLING			DRAWING No:		C.C: 00 REV.	
(3/4" B.S.P-QRC)			4M20B1327444			
Sheet No:			No. of Sheets:			

KUCHIPALLI - 620 014

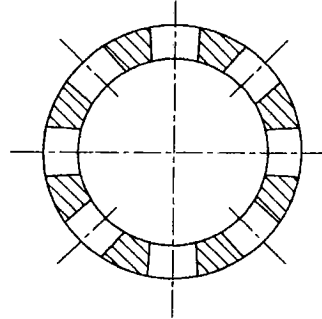
ALL DIMENSIONS ARE IN MM

CAUTION: THIS DRAWING IS OUR SOLE PROPERTY AND SHOULD NOT BE USED IN ANY FORM FOR A PURPOSE WITHOUT THE WRITTEN PERMISSION OF BHARAT HEAVY ELECTRICALS LIMITED TRICHIRAPPALLI - 620 014.

32/16 ✓



NOTE: -
CHAMFER ALL SHARP CORNERS TO 1/45°
NICKEL PLATED INNER & OUTER SURFACE - 12 µm.



SEC: AA

No. of Pieces	DESCRIPTION	MATERIAL	IS: 7283	0.220	A.M. 20B15-27444	01	ITEM No.	DRAWING No.	SIGN.	DATE	10/12/04	INDEX	2
REFERENCE													
SCALE: DRAWN P. A. ROSS / <i>[Signature]</i>													
CHECKED R. Ramamathy													
APPROVED <i>[Signature]</i>													
DATE 17-8-04													
MACHINE: AIR PIPE LINE													
TITLE: SOCKET (OR COUPLING)													
TYPE: 4514.01													
DRAWING No: 3M20B1312498													
REV. C.C.00													