



TRICHY, BHEL, TRICHY, POSTAL CODE :620014, TIRUCHIRAPALLI, TAMIL NADU, INDIA

RFQ/NIT HEADER DETAIL

ORGANIZATION NAME TRICHY, BHEL RFQ FLOATED UNDER THE PURCHASE POLICY
 POLICY
 RFQ/NIT REFERENCE 1901600164 (OPEN TENDER) RFQ OWNER/NIT MR RAJA PRAKASH K(ENGR/PUR)
 CODE/ENQUIRY NO OFFICER/ENQUIRY OWNER
 NUMBER OF ITEMS ALREADY 29
 ATTACHED
 CURRENCY ANY
 DESCRIPTION SUPPLY OF FASTENERS
 DETAILED DESCRIPTION SUPPLY OF FASTENERS AS PER STANDARD MENTIONED AGAINST EACH ITEM
 NUMBER OF BID PART(S) 2 PUBLISHED DATE 04/07/2016 02:30:51 PM

ATTRIBUTE (S)

ATTRIBUTE NAME	ATTRIBUTE VALUE
Delivery at	BHEL TRICHY
Inspection By	BY ENGINEER IN CHARGE, BHEL TRICHY
Validity of the Offer	PRICE SHOULD BE FIXED AND VALID FOR 3 MONTHS FROM THE DATE OF TECHNICAL BID OPENING
Inspection	AT BHEL TRICHY
Pre-Bid meeting date	--

DATE-TIME DETAIL(S)

BID START DATE Jul 4, 2016 BID DUE DATE Aug 4, 2016 02:00:00:PM
 BID OPEN DATE Aug 4, 2016 02:30:00:PM
 (SCHEDULED)

PRE-BID DISCUSSION DETAILS

PRE-BID DISCUSSION TYPE NOT REQUIRED

ALTERNATE BID DECRYPTOR(S)

USER DETAILS
MR B. SANJEEVI (DGM/PUR)
MR ABRAHAM VICTOR P G (SM/PUR)
MR NARAYANAN R (DGM/PUR)
MR RAJA PRAKASH K (ENGR/PUR)

SELLER DETAIL(S)

CODE	ORGANIZATION NAME
023505	TEST (Mr test ot test)

TERM AND CONDITION DETAIL(S) - SPECIAL TERM(S)

SL. NO.	CATEGORY	DESCRIPTION
---------	----------	-------------





TRICHY, BHEL, TRICHY, POSTAL CODE :620014, TIRUCHIRAPALLI, TAMIL NADU, INDIA

1	SPECIAL TERM(S)	<p>SPECIAL TERM(S)</p> <p>SPECIAL CONDITIONS:</p> <p>1. THE ENQUIRY IS A TWO PART E PROCUREMENT ENQUIRY. OFFER FROM ANY OTHER MODE WILL NOT BE ACCEPTED.</p> <p>2. QUANTITY TOLERANCE OF +-3% IS INCLUDED IN THIS ENQUIRY.</p> <p>3. DELEVERY TERMS PROPOSED IS "50% OF QUANTITY WITHIN 5 WEEKS FROM THE DATE OF PURCHASE ORDER AND BALANCE 50% WITHIN 8 WEEKS FROM THE DATE OF PURCHASE ORDER.</p> <p>4. SUPPLIERS SHOULD ATTACH THE DULY FILLED & SIGNED SCANNED COPY OF ANNEXURE A EPS OPEN & ANNEXURE B_FASTENERS.</p> <p>5. IF A SUPPLIER BELONGS TO MSE CATEGORY, THEY SHOULD ATTACH SCANNED COPY OF VALID EM-II CERTIFICATE OR VALID NSIC CERTIFICATE ALONG WITH LATEST CA CERTIFICATE APPLICABLE FOR RELEVANT FINANCIAL YEAR (LATEST).</p> <p>6. NEW SUPPLIERS (NOT REGISTERED IN BHEL) SHOULD ATTACHED THE SCANNED COPY OF ANNEXURE-N.</p> <p>ATTACHMENT:</p> <p>1. ANNEXURE A EPS OPEN</p> <p>2. ANNEXURE B_FASTENERS</p> <p>3. ANNEXURE I - MSE FORMAT</p> <p>4. ANNEXURE N_FASTENERS</p> <p>5. BPS41304</p> <p>TERMS AND CONDITIONS ENCLOSEDThe bidder along with its associate/ collaborators/ sub-contractors/ sub-vendors/ consultants/ serviceproviders shall strictly adhere to BHEL fraud prevention policy displayed on BHEL website http://www.bhel.com and shall immediately bring to the notice of BHEL management about any fraud or suspected fraud as soon as it comes to their notice.</p>
---	-----------------	--

RFQ/NIT ITEM DETAILS

SL. NO.	CODE	DESCRIPTION	QUANTITY	RFQ/NIT U.O.M	OFFER U.O.M																		
10	000000412051607 000	CSK SCRU M16X70-4.8 IS:1365/LATEST.INSPECTION BY BHEL TRICHY.	5,000.00	NUMBER	NUMBER																		
	ATTRIBUTE DETAILS	<table border="1"> <thead> <tr> <th>ATTRIBUTE NAME</th> <th>ATTRIBUTE VALUE</th> </tr> </thead> <tbody> <tr> <td>MATERIAL CODE:</td> <td>000000412051607000</td> </tr> <tr> <td>MATERIAL GROUP:</td> <td>PFBGB</td> </tr> <tr> <td>KILOGRAM PER UNIT:</td> <td>0.118</td> </tr> <tr> <td>Cenvatable (Yes / No)</td> <td>Yes</td> </tr> <tr> <td>Delivery Location</td> <td>TAMIL NADU</td> </tr> <tr> <td>Vatable (Yes / No)</td> <td>Yes</td> </tr> <tr> <td>Delivery Date (i) :</td> <td>30-SEP-2016</td> </tr> <tr> <td>Delivery Qty (i) :</td> <td>5000</td> </tr> </tbody> </table>	ATTRIBUTE NAME	ATTRIBUTE VALUE	MATERIAL CODE:	000000412051607000	MATERIAL GROUP:	PFBGB	KILOGRAM PER UNIT:	0.118	Cenvatable (Yes / No)	Yes	Delivery Location	TAMIL NADU	Vatable (Yes / No)	Yes	Delivery Date (i) :	30-SEP-2016	Delivery Qty (i) :	5000			
ATTRIBUTE NAME	ATTRIBUTE VALUE																						
MATERIAL CODE:	000000412051607000																						
MATERIAL GROUP:	PFBGB																						
KILOGRAM PER UNIT:	0.118																						
Cenvatable (Yes / No)	Yes																						
Delivery Location	TAMIL NADU																						
Vatable (Yes / No)	Yes																						
Delivery Date (i) :	30-SEP-2016																						
Delivery Qty (i) :	5000																						
20	000000412211608 000	HEX HD BOLT-M16x80 -4.6- IS:1363(P1)/INSPECTION BY BHEL TRICHY.SPECN IS-1363(P-1)	1,000.00	NUMBER	NUMBER																		





TRICHY, BHEL, TRICHY, POSTAL CODE :620014, TIRUCHIRAPALLI, TAMIL NADU, INDIA

80	000000412221203 500	HEX SCREW M12X35 - 4.6 IS:1363(P2)/LATEST.INSPECTION BY BHEL TRICHY.	6,000.00	NUMBER	NUMBER
	ATTRIBUTE DETAILS	ATTRIBUTE NAME	ATTRIBUTE VALUE		
		MATERIAL CODE:	000000412221203500		
		MATERIAL GROUP:	PFBGB		
		KILOGRAM PER UNIT:	0.04		
		Cenvatable (Yes / No)	Yes		
		Delivery Location	TAMIL NADU		
		Vatable (Yes / No)	Yes		
		Delivery Date (i) :	30-SEP-2016		
		Delivery Qty (i) :	6000		
90	000000412221204 000	HEX HD SCRU-M12x40 -4.6- IS1363(P2)/.INSPECTION BY BHEL TRICHY.HEX HD SCRU M12X40-4.6 IS:1363(P -2)/Lat	120,000.00	NUMBER	NUMBER
	ATTRIBUTE DETAILS	ATTRIBUTE NAME	ATTRIBUTE VALUE		
		MATERIAL CODE:	000000412221204000		
		MATERIAL GROUP:	PFBGB		
		KILOGRAM PER UNIT:	0.05		
		Cenvatable (Yes / No)	Yes		
		Delivery Location	TAMIL NADU		
		Vatable (Yes / No)	Yes		
		Delivery Date (i) :	30-SEP-2016		
		Delivery Qty (i) :	120000		
100	000000412221205 000	HEX HD SCRU-M12x50 -4.6- IS:1363(P2)/LATEST.INSPECTION BY BHEL TRICHY.SPECN IS-1363(P-2)	18,000.00	NUMBER	NUMBER
	ATTRIBUTE DETAILS	ATTRIBUTE NAME	ATTRIBUTE VALUE		
		MATERIAL CODE:	000000412221205000		
		MATERIAL GROUP:	PFBGB		
		KILOGRAM PER UNIT:	0.059		
		Cenvatable (Yes / No)	Yes		
		Delivery Location	TAMIL NADU		
		Vatable (Yes / No)	Yes		
		Delivery Date (i) :	30-SEP-2016		
		Delivery Qty (i) :	18000		
110	000000412221293 000	HEX HD SCRU M12X30-4.6 IS:1363(P- 2)/CAD/LATEST.INSPECTION BY BHEL TRICHY.	100.00	NUMBER	NUMBER
	ATTRIBUTE DETAILS	ATTRIBUTE NAME	ATTRIBUTE VALUE		
		MATERIAL CODE:	000000412221293000		
		MATERIAL GROUP:	PFBGB		
		KILOGRAM PER UNIT:	0.0040		
		Cenvatable (Yes / No)	Yes		
		Delivery Location	TAMIL NADU		
		Vatable (Yes / No)	Yes		
		Delivery Date (i) :	30-SEP-2016		
		Delivery Qty (i) :	100		
120	000000412221605 000	HEX HD SCRU M16X50-4.6 IS:1363(P- 2)/LATEST.INSPECTION BY BHEL TRICHY.SPECN IS-1363(P-2)	6,000.00	NUMBER	NUMBER
	ATTRIBUTE DETAILS	ATTRIBUTE NAME	ATTRIBUTE VALUE		
		MATERIAL CODE:	000000412221605000		
		MATERIAL GROUP:	PFBGB		
		KILOGRAM PER UNIT:	0.108		
		Cenvatable (Yes / No)	Yes		
		Delivery Location	TAMIL NADU		
		Vatable (Yes / No)	Yes		
		Delivery Date (i) :	30-SEP-2016		
		Delivery Qty (i) :	6000		
130	000000412221605 500	HEX HD SCRU M16X55-4.6 IS:1363(P- 2)/LATEST. INSPECTION BY BHEL TRICHY.HEX HD SCRU M16X55-4.6 IS:1363(P -2)/LAT	50,000.00	NUMBER	NUMBER





TRICHY, BHEL, TRICHY, POSTAL CODE :620014, TIRUCHIRAPALLI, TAMIL NADU, INDIA

ATTRIBUTE DETAILS	ATTRIBUTE NAME	ATTRIBUTE VALUE
	MATERIAL CODE:	000000412221605500
	MATERIAL GROUP:	PFGBG
	KILOGRAM PER UNIT:	0.115
	Cenvatable (Yes / No)	Yes
	Delivery Location	TAMIL NADU
	Vatable (Yes / No)	Yes
	Delivery Date (i) :	30-SEP-2016
	Delivery Qty (i) :	50000
140	000000412221607500 HEX HD SCRU-M16x75 -4.6- IS:1363(P2)/LATEST. INSPECTION BY BHEL TRICHY.SPECN IS-1363(P-2)	12,000.00 NUMBER NUMBER
	MATERIAL CODE:	000000412221607500
	MATERIAL GROUP:	PFGBG
	KILOGRAM PER UNIT:	0.138
	Cenvatable (Yes / No)	Yes
	Delivery Location	TAMIL NADU
	Vatable (Yes / No)	Yes
	Delivery Date (i) :	30-SEP-2016
	Delivery Qty (i) :	12000
150	000000412221608000 HEX HD SCRU M16X80-4.6 IS:1363(P-2)/LATEST.INSPECTION BY BHEL TRICHY.	1,000.00 NUMBER NUMBER
	MATERIAL CODE:	000000412221608000
	MATERIAL GROUP:	PFGBG
	KILOGRAM PER UNIT:	0.071
	Cenvatable (Yes / No)	Yes
	Delivery Location	TAMIL NADU
	Vatable (Yes / No)	Yes
	Delivery Date (i) :	30-SEP-2016
	Delivery Qty (i) :	1000
160	000000412221611000 HEX HD SCRU M16X110- 4.6 IS:1363(P-2)/LATEST.INSPECTION BY BHEL TRICHY.	2,000.00 NUMBER NUMBER
	MATERIAL CODE:	000000412221611000
	MATERIAL GROUP:	PFGBG
	KILOGRAM PER UNIT:	0.203
	Cenvatable (Yes / No)	Yes
	Delivery Location	TAMIL NADU
	Vatable (Yes / No)	Yes
	Delivery Date (i) :	30-SEP-2016
	Delivery Qty (i) :	2000
170	000000413020091200 HEX THIN NUT M12-CL 05-IS:1364(P-4) CAD/LATEST.INSPECTION BY BHEL TRICHY.SPECN IS-1364(P-4)	800.00 NUMBER NUMBER
	MATERIAL CODE:	000000413020091200
	MATERIAL GROUP:	PFGBG
	KILOGRAM PER UNIT:	0.012
	Cenvatable (Yes / No)	Yes
	Delivery Location	TAMIL NADU
	Vatable (Yes / No)	Yes
	Delivery Date (i) :	30-SEP-2016
	Delivery Qty (i) :	800
180	000000413040001200 HEX NUT M12 -CL 4 IS-1363(P-3)/LATEST.INSPECTION BY BHEL TRICHY.NUT -M12 -CL4-IS1363P3 DRG: BPS 41304	120,000.00 NUMBER NUMBER
	MATERIAL CODE:	000000413040001200
	MATERIAL GROUP:	PFGBG
	KILOGRAM PER UNIT:	0.02
	Cenvatable (Yes / No)	Yes
	Delivery Location	TAMIL NADU
	Vatable (Yes / No)	Yes
	Delivery Date (i) :	30-SEP-2016
	Delivery Qty (i) :	120000





TRICHY, BHEL, TRICHY, POSTAL CODE :620014, TIRUCHIRAPALLI, TAMIL NADU, INDIA

190	000000413040001 600	HEX NUT -M16 -CL4-IS 1363 (P3)/LATEST.INSPECTION BY BHEL TRICHY.NUT -M16 -CL4-IS1363P3 DRG: BPS 41304	200,000.00	NUMBER	NUMBER
	ATTRIBUTE DETAILS	ATTRIBUTE NAME	ATTRIBUTE VALUE		
		MATERIAL CODE:	000000413040001600		
		MATERIAL GROUP:	PFBGB		
		KILOGRAM PER UNIT:	0.03		
		Cenvatable (Yes / No)	Yes		
		Delivery Location	TAMIL NADU		
		Vatable (Yes / No)	Yes		
		Delivery Date (i) :	30-SEP-2016		
		Delivery Qty (i) :	200000		
200	000000413040002 400	HEX NUT M24-CL 4 IS-1363(P- 3)/LATEST.INSPECTION BY BHEL TRICHY.NUT -M24 -CL4-IS1363P3 DRG: BPS 41304	25,000.00	NUMBER	NUMBER
	ATTRIBUTE DETAILS	ATTRIBUTE NAME	ATTRIBUTE VALUE		
		MATERIAL CODE:	000000413040002400		
		MATERIAL GROUP:	PFBGB		
		KILOGRAM PER UNIT:	0.11		
		Cenvatable (Yes / No)	Yes		
		Delivery Location	TAMIL NADU		
		Vatable (Yes / No)	Yes		
		Delivery Date (i) :	30-SEP-2016		
		Delivery Qty (i) :	25000		
210	000000413040022 000	HEX NUT M20-CL4 (LH) IS:1363(P- 3)/LATEST.INSPECTION BY BHEL TRICHY.	1,000.00	NUMBER	NUMBER
	ATTRIBUTE DETAILS	ATTRIBUTE NAME	ATTRIBUTE VALUE		
		MATERIAL CODE:	000000413040022000		
		MATERIAL GROUP:	PFBGB		
		KILOGRAM PER UNIT:	0.065		
		Cenvatable (Yes / No)	Yes		
		Delivery Location	TAMIL NADU		
		Vatable (Yes / No)	Yes		
		Delivery Date (i) :	30-SEP-2016		
		Delivery Qty (i) :	1000		
220	000000413040023 600	HEX NUT M36X3-LH CL 4 IS:1363(P- 3)/LATEST.INSPECTION BY BHEL TRICHY.	50.00	NUMBER	NUMBER
	ATTRIBUTE DETAILS	ATTRIBUTE NAME	ATTRIBUTE VALUE		
		MATERIAL CODE:	000000413040023600		
		MATERIAL GROUP:	PFBGB		
		KILOGRAM PER UNIT:	0.065		
		Cenvatable (Yes / No)	Yes		
		Delivery Location	TAMIL NADU		
		Vatable (Yes / No)	Yes		
		Delivery Date (i) :	30-SEP-2016		
		Delivery Qty (i) :	50		
230	000000413040091 600	HEX NUT M16-4 IS:1363(P-3)/LATEST CAD (10-12MIC).INSPECTION BY BHEL TRICHY.	7,000.00	NUMBER	NUMBER
	ATTRIBUTE DETAILS	ATTRIBUTE NAME	ATTRIBUTE VALUE		
		MATERIAL CODE:	000000413040091600		
		MATERIAL GROUP:	PFBGB		
		KILOGRAM PER UNIT:	0.0030		
		Cenvatable (Yes / No)	Yes		
		Delivery Location	TAMIL NADU		
		Vatable (Yes / No)	Yes		
		Delivery Date (i) :	30-SEP-2016		
		Delivery Qty (i) :	7000		
240	000000413043003 600	HEX NUT M36X3 CL-4 IS:1363(P- 3)/LATEST.INSPECTION BY BHEL TRICHY.HEX NUT M36X3-4 IS:1363(P-3) BPS 41304	5,000.00	NUMBER	NUMBER
	ATTRIBUTE DETAILS	ATTRIBUTE NAME	ATTRIBUTE VALUE		
		MATERIAL CODE:	000000413043003600		
		MATERIAL GROUP:	PFBGB		
		KILOGRAM PER UNIT:	0.396		
		Cenvatable (Yes / No)	Yes		
		Delivery Location	TAMIL NADU		
		Vatable (Yes / No)	Yes		
		Delivery Date (i) :	30-SEP-2016		
		Delivery Qty (i) :	5000		





TRICHY, BHEL, TRICHY, POSTAL CODE :620014, TIRUCHIRAPALLI, TAMIL NADU, INDIA

250	000000413043024 500	HEX NUT M45X3-14H (LH) IS:3138/LATEST.INSPECTION BY BHEL TRICHY.	150.00	NUMBER	NUMBER
	ATTRIBUTE DETAILS	ATTRIBUTE NAME MATERIAL CODE: MATERIAL GROUP: KILOGRAM PER UNIT: Cenvatable (Yes / No) Delivery Location Vatable (Yes / No) Delivery Date (i) : Delivery Qty (i) :	ATTRIBUTE VALUE 000000413043024500 PFBGB 0.745 Yes TAMIL NADU Yes 30-SEP-2016 150		
260	000000413044005 600	HEX NUT M56X4-14H IS:3138/LATEST.INSPECTION BY BHEL TRICHY.	2,000.00	NUMBER	NUMBER
	ATTRIBUTE DETAILS	ATTRIBUTE NAME MATERIAL CODE: MATERIAL GROUP: KILOGRAM PER UNIT: Cenvatable (Yes / No) Delivery Location Vatable (Yes / No) Delivery Date (i) : Delivery Qty (i) :	ATTRIBUTE VALUE 000000413044005600 PFBGB 1.355 Yes TAMIL NADU Yes 30-SEP-2016 2000		
270	000000413044006 000	HEX NUT M60X4-14H IS:3138/LATEST.INSPECTION BY BHEL TRICHY.	500.00	NUMBER	NUMBER
	ATTRIBUTE DETAILS	ATTRIBUTE NAME MATERIAL CODE: MATERIAL GROUP: KILOGRAM PER UNIT: Cenvatable (Yes / No) Delivery Location Vatable (Yes / No) Delivery Date (i) : Delivery Qty (i) :	ATTRIBUTE VALUE 000000413044006000 PFBGB 1.625 Yes TAMIL NADU Yes 30-SEP-2016 500		
280	000000413044007 200	HEX NUT M72X4-14H IS:3138/LATEST.INSPECTION BY BHEL TRICHY.	7,000.00	NUMBER	NUMBER
	ATTRIBUTE DETAILS	ATTRIBUTE NAME MATERIAL CODE: MATERIAL GROUP: KILOGRAM PER UNIT: Cenvatable (Yes / No) Delivery Location Vatable (Yes / No) Delivery Date (i) : Delivery Qty (i) :	ATTRIBUTE VALUE 000000413044007200 PFBGB 2.43 Yes TAMIL NADU Yes 30-SEP-2016 7000		
290	000000413050091 000	WING NUT A M10 IS:2636/LATEST (CAD).INSPECTION BY BHEL TRICHY.	500.00	NUMBER	NUMBER
	ATTRIBUTE DETAILS	ATTRIBUTE NAME MATERIAL CODE: MATERIAL GROUP: KILOGRAM PER UNIT: Cenvatable (Yes / No) Delivery Location Vatable (Yes / No) Delivery Date (i) : Delivery Qty (i) :	ATTRIBUTE VALUE 000000413050091000 PFBGB 0.033 Yes TAMIL NADU Yes 30-SEP-2016 500		



IMPORTANT NOTICE

PLEASE READ THE FOLLOWING ATTACHMENT(S) [SEPARATELY DOWNLOADABLE] ALONG WITH THIS RFQ/NIT/ENQUIRY .

RFQ/NIT/ENQUIRY - ATTACHMENTS

LABEL	FILE NAME
ANNEXURE A EPS OPEN	ANNEXURE A EPS OPEN.pdf
ANNEXURE B FASTENERS	ANNEXURE B FASTENERS.pdf
ANNEXURE I - MSE FORMAT	ANNEXURE I - MSE FORMAT.pdf
ANNEXURE N FASTENERS	ANNEXURE N FASTENERS.pdf
BPS41304	BPS41304.pdf



Annexure A

QUOTATIONS:

1. Interested bidders / Suppliers shall submit their offer through e-Procurement mode at <https://bheleps.buyjunction.in>. **Offers in any other mode will not be accepted.**

For Enterprise Procurement System (EPS) Bidders/Suppliers are requested to follow these steps.

REQUIREMENTS

1. A PC with Internet connectivity.
2. DSC (Digital Signature Certificate)(Class 3- SHA2- 2048 BIT- SIGNING & ENCRYPTION)
3. The site is best viewed in Internet Explorer 9.0. If you are using Internet Explorer 10 or above then enable compatibility view available under Tools menu
4. Install Java 1.8 Update 67/72/79 (Both 32 & 64 Bit)

MANDATORY REQUIREMENT:

Suppliers interested for registration for BHEL Open Tenders should have a valid DSC (Digital Signature Certificate) before Proceeding forward for Registration. Herein a Valid DSC refers to an Active and unexpired Signing and Encryption Certificate, with specification Class III SHA 2 2048 bit.

UNREGISTERED SUPPLIER IN EPS:

Procedure for Online Registration in EPS for Open Tender Suppliers for BHEL

Please follow the below steps for registration

1. Click Register Button (Top of the Screen)
2. Please input your organization PAN No (in case of Indian supplier) or click "Foreign" in case you are an overseas Supplier.
3. Click on INTERESTED Button against the respective BHEL Unit
4. Key in your desired login id (Login Code should be 8 - 24 characters in length and can only use numeric values) If you have registered by keying in PAN No. then your desired login id will be prefixed by "OTI", In case of overseas suppliers it will be prefixed with "OTF"
5. Fill in the other details.
6. Fill in the Captcha code and click next
7. Register your Signing certificate and click next
8. Select atleast one procurement category you may be dealing in.

Once the above steps are completed, your profile will be activated by mjunction within 2 business hours. After registering follow the steps provided in "For Registered Supplier" to view RFQ.

In case of any assistance, please call the following nos for support:

033-6601 1717 (From 9:30am to 5:30pm)

NB:-

1 -- BHEL Administrator or user will have no role for approving Registration and Open Tenders and DSC for Any supplier who has registered himself from the front END which is in case of OT.

FOR REGISTERED SUPPLIER IN EPS:

- a. Supplier visits EPS home page
- b. Supplier signs in with their user id and password
- c. Selects the RFQ Code and views it.
- d. Attaches themselves to the RFQ by clicking the interested button
- e. Supplier fills the bid template and makes necessary attachments
- f. Supplier submits their bid by clicking CONFIRM.

In case of any assistance, please call the following Nos for support:

033-6601 1717 (From 9:30am to 5:30pm)

b. Bidders are requested to quote their offer price on F.O.R Destination (BHEL/Stores) basis only (The basic price of the material quoted in the bid should be inclusive of Packing, Forwarding, freight and transit insurance, etc.,).

Ex-works offers will be summarily rejected without further clarification.

c. No charges shall be indicated as "Lumpsum" or "Approximate" in absolute value. All charges like taxes and duties should be clearly specified as "percentage" of the quoted rates.

d. If any sales tax is payable as extra to the quoted price should be specifically stated in quotations along with CST & TIN no failing which the purchaser will not be liable for payment of sales tax. Our TIN No. 33243560005 Dated. 01.01.2007, CST No.239383 Dtd.11.06.1991.

e. Manufacturer's name, trademark or patent no. if any should be specified. Illustrative leaflets giving technical particulars are required along with quotation wherever necessary.

f. Products with I.S.I. certification marks will be preferred.

g. The Purchaser shall be under no obligation to accept the lowest or any other tender and shall be entitled to accept in Part or full without assigning any reason whatsoever.

h. The bidder has to keep track of any changes by viewing the addendum / Corrigendum's issued by the Purchaser on time-to- time basis in the E-Procurement platform. The Company calling for tenders shall not be responsible for any claims/problems arising out of this.

i. The user should complete all the processes and steps required for bid submission. The successful bid submission can be ascertained once acknowledgement is given by the system through bid submission number after completing all the processes and steps. BHEL and mjunction Services Ltd. will not be responsible for incomplete bid submission by users. Users may also note that the incomplete bids will not be saved by the system and are not available for the Purchaser for processing.

j. Before uploading scanned documents if any, the bidders shall sign on all the statements, documents, certificates uploaded by him, owning responsibility for their correctness / authenticity.

2. Offers should have a validity of minimum 90 days from the date of price bid opening. The quoted/Finalized rates shall be Firm till completion of the supplies including amendment / deviation / extension if any in quantity / date.

3. On the due date of tender opening, only technical bids will be opened. The opened technical bids will be evaluated by us and clarifications required, if any, will be called for from the bidders on technical and commercial points. If no reply is received from the vendor for the clarification raised by BHEL with in the final cut-off date those vendors offer will be processed with the documents available / submitted against this tender. Offers not meeting the required specification and technical condition will be summarily rejected. The price bids of technically suitable bidders will be opened on a later date with prior intimation to techno-commercially suitable bidders. If any difference is found in the terms in the Techno-commercial bid and price bid, the terms mentioned in the Techno-Commercial Bid will be considered.

4. Ranking L-1, L-2 etc. shall be done for individual items for the techno-commercially acceptable offers on landed cost to BHEL, Trichy basis and BHEL reserves the right to place order for individual items with different vendors. In the event of more than one vendor becoming L1 for the item, the enquiry quantity will be shared equally among all the L1 vendors. For such item / items splitting will be done among L1 vendors alone and as mentioned in the point no 10 below.

5. BHEL reserves the right to negotiate with L1 vendor or re-float the tender for items where, L1 price is not the lowest acceptable price; BHEL reserves the right to increase or decrease the tender quantity.

6. TERMS OF PAYMENT: Payment will be made after 45 days from the date of receipt and acceptance of materials at BHEL Trichy. Offers quoting for Advance payment / LC / thro bank payment will be rejected. Any deviation in the payment terms below 45 days shall attract loading as below.

Base rate of SBI (as applicable on the date of bid opening; Techno-commercial bid opening in case of two part bids) +6%' will be considered for the loading for the period of relaxation sought by the bidder.

7. LD clause & Risk purchase clause are applicable.

Single delivery schedule:

If the Supplier fails to deliver the P.O quantity within the period specified in the contract, then the Purchaser shall deduct liquidated damages, 0.5% of the total order value per week of delay or part thereof subject to a maximum of 10% of the total order value.

Staggered delivery schedule

In case of staggered delivery schedule, if the Supplier fails to deliver the quantity of any line item of the P.O within the period specified in that line item, Purchaser shall deduct Liquidated Damages, 0.5% of the undelivered portion per week delay or part thereof subject to maximum of 10% of the total order value

Liquidated Damages (LD): (Any deviations shall attract loading to the extent of relaxation sought to which it is not agreed by the bidder at offered value).

RISK PURCHASE: Alternatively the purchaser at his option will be entitled to terminate the contract and to purchase elsewhere at the risk and cost of the seller either the whole of the goods or any part which the supplier has failed to deliver or dispatch within the time stipulated as aforesaid or if the same were not available, the best and the nearest available substitutes therefor. The supplier shall be liable for any loss, which the purchaser may sustain by reason of such risk purchases in addition to penalty at the rate mentioned in LD clause above.

8. CENVAT CREDIT: If any Excise Duty is payable, the Chapter Head / Sub -head reference and the rate of the duty should be quoted. If the tenderer is availing CENVAT credit for this input material, the effect of Proforma credit should be passed on to the purchaser. Tenderer under "CENVAT" shall be preferred. In case of ordering vendor should issue CENVAT invoice along with the material.

9. PACKING AND MARKING: The supplier shall arrange for securely protecting and packing the stores to avoid loss or damages during transit. Materials (only one size) shall be packed in bituminous coated polythene lined gunny bags. Bags of Bolts & Nuts shall be 20Kgs only. Bags should be sturdy enough to hold the weight of the contents without getting damaged. Tags should be attached outside the bag giving all the details of the contents inside the bag.

10. SPECIAL PROVISIONS FOR MICRO AND SMALL ENTERPRISES (MSE) BIDDERS:

- i. 20% of the tendered quantity is earmarked for MSE suppliers in this tender. (Applicable only for items whose Quantity is 5000 Nos or more than 5000 Nos)
- ii. Out of the 20% tendered quantity reserved for MSE suppliers, 4% shall be earmarked for procurement from MSE owned by SC / ST entrepreneurs. In event of failure of such Micro and Small enterprises to participate in the tender process or meet the tender requirements and the L1 price, the 4% sub-target for procurement ear-marked MSE owned by SC / ST entrepreneurs shall be met with other MSE enterprise/s.
- iii. In case MSE vendor participating in the tender quotes within the price band of L1 + 15%, they will be allowed to supply the portion of the requirement subject to acceptance of L1 price by MSE vendor. In case of more than one such MSE, the supply shall be shared proportionately.
- iv. MSE suppliers can avail the intended benefits only if they submit along with the offer, attested copies of either EM II certificate having deemed validity (five years from the date of issue in acknowledgement in EM II) or valid NSIC certificate or EM II certificate along with attested copy of a CA certificate (Format enclosed as per **Annexure I** where deemed validity of EM II certificate of five years have expired) applicable for the relevant financial year (latest audited). Date to be reckoned for determining the deemed validity will be the date of bid opening (Part 1 in case of two part bid). Non submission of such documents will lead to consideration of their bids at par with other bidders. No benefits shall be applicable for the enquiry if any deficiency in the above required documents is not submitted before the price bid opening. If the tender is to be submitted through e-procurement portal, then the above required documents are to be uploaded on the portal. Documents should be notarized or attested by a Gazetted officer. This provision for MSE will apply subject to the condition that the participating MSE meets the tender requirements.
- v. In case of any change in the MSE status of the bidder, it shall be the responsibility of the bidder to notify the change as a part of the bid document. If at a later date it comes to the knowledge of BHEL, that the change in the status has not been intimated by the bidder and the order is obtained under the premise of an MSE then BHEL would cancel the pending order against this tender and take necessary steps for suspension of the business dealing with the bidder as per the procurement policy of BHEL.

- vi. In case after the bid opening it is seen that no MSE has become L1, then depending on the nature of the item, if it is not possible to split the tendered items / quantities on account of reasons like customer contract requirements of supplying one make for a given project or technical reasons like tendered items being a system, tendered quantity being low etc., then BHEL would not counter offer the L1 prices even though there may be MSE bidders within the +15% band of L1.

10.1

- a. 20% of the tendered quantity is earmarked for MSE suppliers in this tender. The earmarked 20% quantity will be counter offered to the MSE vendors whose rate is within L1+15% band & up to H1 of MSE. In case of non-acceptance of the counter offering of 20% reservation to MSE vendors, the total tender quantity will be ordered as mentioned in 10.1 (c). For the balance 80% of the tendered quantity, BHEL reserves the right to order in the ratio of 70:30 on L1, L2 / L3 vendors (at matched L1 F.O.R rate in the order of commercial ranking) irrespective of the category (MSE or NON MSE). Counter offering of L1 rate will not be made with any H1 vendor of Non-MSE
- b. If L1 is from a Micro / Small enterprise, the 20% earmarking provision is not applicable and order will be split in the ratio of 70:30 (between L1 , L2 / L3 at matched L1 F.O.R rate in the order of commercial ranking). Counter offering of L1 rate will not be made with any H1 vendor of Non-MSE.
- c. If there is no response form MSE vendors the above split up of 10.1 (a) & 10.1 (b) will not be applicable and the total tender quantity will be split and ordered in the ratio of 70:30 (between L1 , L2 / L3 at matched L1 F.O.R rate in the order of commercial ranking).
- d. In case of counter offering rate has not been accepted by the L2 as well as L3 vendor, such counter offer quantity also will be ordered on L1 vendor.

12. For the enquired items, where the quantity is 5000 Nos and less than 5000 Nos will not be split as mentioned in the Sl. No 10. Such items will be ordered on L1 vendor alone.

13. Conditional offers are likely to be rejected.

14. Disclaimer Clause: Neither the Organization (Bharat Heavy Electricals Ltd.) nor the service provider (mjunction Services Ltd.) is responsible for any failure of submission of bids due to failure of internet or other connectivity problems or reasons thereof.

15. Bidders participating in the tender should declare in their technical bid whether they have been black-listed / kept on hold / given Business holiday for a specified period by any Public Sector Undertaking or Government Departments. The reasons for such action with details and the current status of such hold shall be clearly furnished to BHEL. If no such details are mentioned in the offer, it will be construed that the bidder is not under any such hold. However, at a later date if it comes to the notice of BHEL about any such hold under enforcement BHEL reserves the right to reject the offer at any point of time and also under any stage of the finalization of the tender. Such bidders will not be permitted to participate in the further tender proceedings and will be communicated suitably.

16. BHEL reserves the right to negotiate or re-float the enquiry opened if L1 price is not the lowest acceptable price to them inter-alia other reasons.

17. The correspondence between the bidder and BHEL through email is considered as valid document legally though it is not signed. It is treated as valid confirmations made on behalf of the respective company and comes under the legal ambit of the business transaction and hence binding on both the parties.

18. In case of any quality rejection of materials, the supplier has to collect the materials at his own cost within the 10 days of rejection of advice. Otherwise the materials will be scrapped.

19. Unloading at BHEL has to be done by the suppliers and BHEL will not be in a position to provide any handling / unloading facilities.

20. Bidders not confirming to the enquiry specifications will be disqualified.

TECHNO COMMERCIAL BID
TO BE SUBMITTED ALONG WITH PART – I (TECHNO COMMERCIAL BID)

ANNEXURE –B

S. NO	DESCRIPTION	BHEL REQUIREMENTS	SUPPLIER CONFIRMATION / DEVIATION (STRIKEOUT WHICHEVER IS NOT APPLICABLE)
1	VALIDITY	90 DAYS FROM DATE OF TECHNICAL BID OPENING	NON DEVIATABLE
2	PRICE QUOTED	FOR-DESTINATION BHEL STORES / TRICHY	NON DEVIATABLE
3	LD CLAUSE	(For details please read S.No:07 of "Annexure – A")	NON DEVIATABLE
4	RISK PURCHASE CLAUSE	(For details please read S.No:07 of "Annexure – A")	NON DEVIATABLE
5	ACCEPTANCE FOR SUPPLYING MATERIALS AS PER PLANT STANDARD INDICATED FOR EACH ITEM		CONFIRM / NOT CONFIRM
6	DEIVERY SCHEDULE *	Delivery terms will be 50% of quantity within 5 weeks from the date of PO & Balance 50% within 8 weeks from the date of PO.	CONFIRM / NOT CONFIRM
7	PREVIOUS EXERIENCE	Suppliers should enclose a purchase order copy against their experience in supplying FASTENERS as per standard during the past three years since Jan 2013.	ATTACHED / NOT ATTACHED
8	Whether the suppliers have been black listed by any PSU / Other units of BHEL.		BLACK LISTED / NOT BLACK LISTED
9	Offers from Manufacturers will be accepted, Offers from traders will summarily be rejected.		MANUFACTURER / TRADER
10	CONTACT PERSON DETAILS	NAME: MOBILE NO: EMAIL :	

* Bidders are requested to adhere to BHEL Delivery schedule strictly.

SIGN AND SEAL OF AUTHORIZED PERSON

ANNEXURE - N (For NEW VENDORS only)

SI No	Details	Document submission
1	Nature of ownership & relevant documents. <i>(Proprietorship-Professional Tax Regn & Municipal Regn; Partnership firm – Partnership Deed; Co-operative society – Society rules & bye laws ; Private/Limited Company – memorandum & Articles of Association)</i>	
2	Manufacturing range & facilities: <ul style="list-style-type: none"> • List down the product range & specification details. • List of Manufacturing facilities/equipment's (including material handling facility) 	
3	Licence details of the factory	
4	<ul style="list-style-type: none"> • Permanent Account No • Central Sales Tax registration number • State sales Tax / TIN number • Excise duty registration number • Excise control code number • Service tax registration number • Regn number of category as per MSMED Act (If applicable) 	
5	If registered with any other BHEL unit <ul style="list-style-type: none"> • Letter of registration with BHEL unit (If applicable) • Proof of successfully executed or executing purchase orders 	
6	Accreditation certificate for ISO:9001 / TOC of Quality System manual / ISO:14000 / OHSAS ISO 18000 (If applicable)	
7	Balance Sheet for the last three years along with the audit report	
8	EXPERIENCE IN FASTENERS TO VARIES INDUSTRIES (All the new vendors should enclose a Purchase Order copy against their experience in the supply of FASTENERS to various industry)	

ANNEXURE –I

Certificate by Chartered accountant on Chartered Accountant's letter head

This is to certify that M/s....., (hereinafter referred to as 'company') having its registered office atis registered under MSMED Act 2006, (Entrepreneur Memorandum No (Part-II) dated: Category: (Micro/Small) (Copy enclosed).

Further verified from the Books of Accounts that the investment of the company as per the latest audited financial year as per MSMED Act 2006 is as follows:

1. **For Manufacturing Enterprises:** Investment in plant and machinery (i.e. original cost excluding land and building and the items specified by the Ministry of Small Scale Industries vide its notification No.S.O 1722 (E) dated October 5, 2006:
Rs..... Lacs
2. **For Service Enterprises:** Investment in equipment (original cost excluding land and building and furniture, fittings and other items not directly related to the service rendered or as may be notified under the MSM ED Act, 2006:
Rs..... Lacs

(Strike off whichever is not applicable)

The above investment of Rs..... Lacs is within permissible limit of Rs..... Lacs for..... Micro/Small (Strike off which is not applicable) Category under MSMED Act 2006.

Or

The company has been graduated from its original category (Micro/Small) (Strike off which is not applicable) and the date of graduation of such enterprise from its original category is..... (dd/mm/yyyy) which is within the period of 3 years from the date of graduation of such enterprise from its original category as notified vide S.O.No. 3322(E) dated 01.11.2013 published in the gazette notification dated 04.11.2013 by Ministry of MSME.

Date:

(Signature)

Name:

Membership number:

Seal of Chartered Accountant:



PLANT STANDARD

HPBP TIRUCHIRAPPALLI

BPS 41304

Rev. No. 02

PAGE 1 OF 2

HEXAGON NUTS, PRODUCTS GRADES 'B' & 'C'

(Property Class 4 & 14H)

1.0 SCOPE

Covers the requirements of hexagon nuts in the size range M27, M33 and above

2.0 SPECIFICATION AND REFERENCE STANDARDS

Dimensions and preferred sizes	Fig 1 & Table 1 of this standard	
Tolerance	Product grade	C for nuts with $d \leq M64$ B for nuts with $d > M64$
	Indian Standard	IS 1367 (Part 2) for nuts with $d \leq M39 \times 3$ IS: 3138 for nuts with $d \geq m42 \times 3$
Thread	Pitch	Table 1 of this standard
	Tolerance	7H for nuts with $d \leq M39 \times 3$ 6H for nuts with $d \geq M42 \times 3$
	Indian Standard	IS 4218 (Part 3, 5 & 6)
Material	Steel	
Mechanical properties	Property class	4 for nuts with $d \leq M39 \times 3$ 14H for nuts with $d \geq M42 \times 3$
	Indian standard	IS: 1367 (Part 6&7)
Sampling and Acceptability	Indian Standard	IS: 1367 (Part 17)
General requirements	Nuts shall comply with IS: 1363 part 3 and IS: 3138 in respect of requirements not covered in this standard	

2.1 Referred standards (only current versions are applicable)

IS: 1367 (Part 2, 6, 7 & 17)

Technical supply conditions for threaded steel fasteners

IS: 3138

Specification for hexagon bolts and nuts

IS: 4218 (Part 3, 5 & 6)

ISO Metric screw threads

3.0 DESIGNATION

A Grade 'C' hexagon nut to this standard of thread size M36x3 shall be designated as :

3.1 On Drawings

i) Material Specification column

ii) Description Column

iii) Drawing Number Column

iv) Material Code column:

HEX NUT GR C M36x3-4

BPS 41304

4130400036

Revisions Brought upto date			Approved STANDARDS SECTION CONTRACT ENGINEERING AND CO-ORDINATION HPBP, TIRUCHIRAPPALLI		
Rev. No. 02	Amd. No.	Reaffirmed	Prepared STANDARDS	Issued STANDARDS	Dt of 1st Issue DEC 1986
Dt. JUN 1997	Dt.	Year			

COPYRIGHT AND CONFIDENTIAL
The information on this document is the property of BHARAT HEAVY ELECTRICALS LIMITED. It must not be used directly or indirectly in any way detrimental to the interest of the company.



PLANT STANDARD

HPBP TIRUCHIRAPPALLI

BPS 41304

Rev. No 02

PAGE 2 OF 2

3.2 Ordering Description

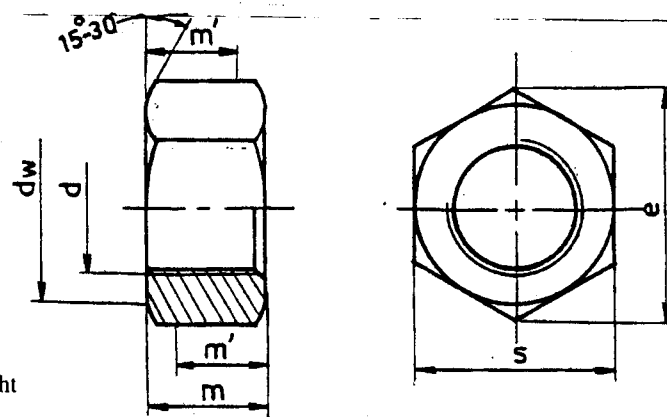
For placing indents, issuing enquires and on purchase order, ordering description given below shall be followed. (Typical examples)

- i) HEXAGON NUT M33 TO BPS:41304 for nuts with $d=M27$ & $M33$
- II) HEXAGON NUT M36x3 TO BPS:41304 for nuts with $d \geq M36X3$

4.0 ADDITIONAL INFORMATION

Copies of this standard shall be enclosed alongwith the purchase order for thread sizes M27, M33 and above.

FIG. 1 DIMENSIONS FOR HEXAGON NUTS
(All dimensions are in millimetres)



'm' = Effective gauging height

TABLE 1
(All dimensions are in millimetres)

Thread Size d	d _w Min	m		m' Min	s		e		Weight
		Max	Min		Max	Min	Min	Max	
(M27)		22.65	21.35		41	40.0	45.20		166
(M33)		26.65	25.35		50	49.0	55.37		299
M36x3	51.1	31.5	29.4	23.5	55	53.8	60.79		364
(M39x3)		31.8	30.2		60	58.8	66.44		485
(M45x3)		36.0	35.0		70	68.8		80.8	750
M48x3		38.0	37.0		75	73.8		86.5	935
M56x4		45.0	44.0		85	83.6		98	1355
(M60x4)		48.0	47.0		90	88.6		104	1625
M72x4		58.0	56.8		105	103.6		121	2430
M80x4		64.0	62.8		115	113.6		133	3190

NOTE:

1. Sizes in brackets are non-preferred.
2. Weights are given in Kg per 1000 numbers only.