

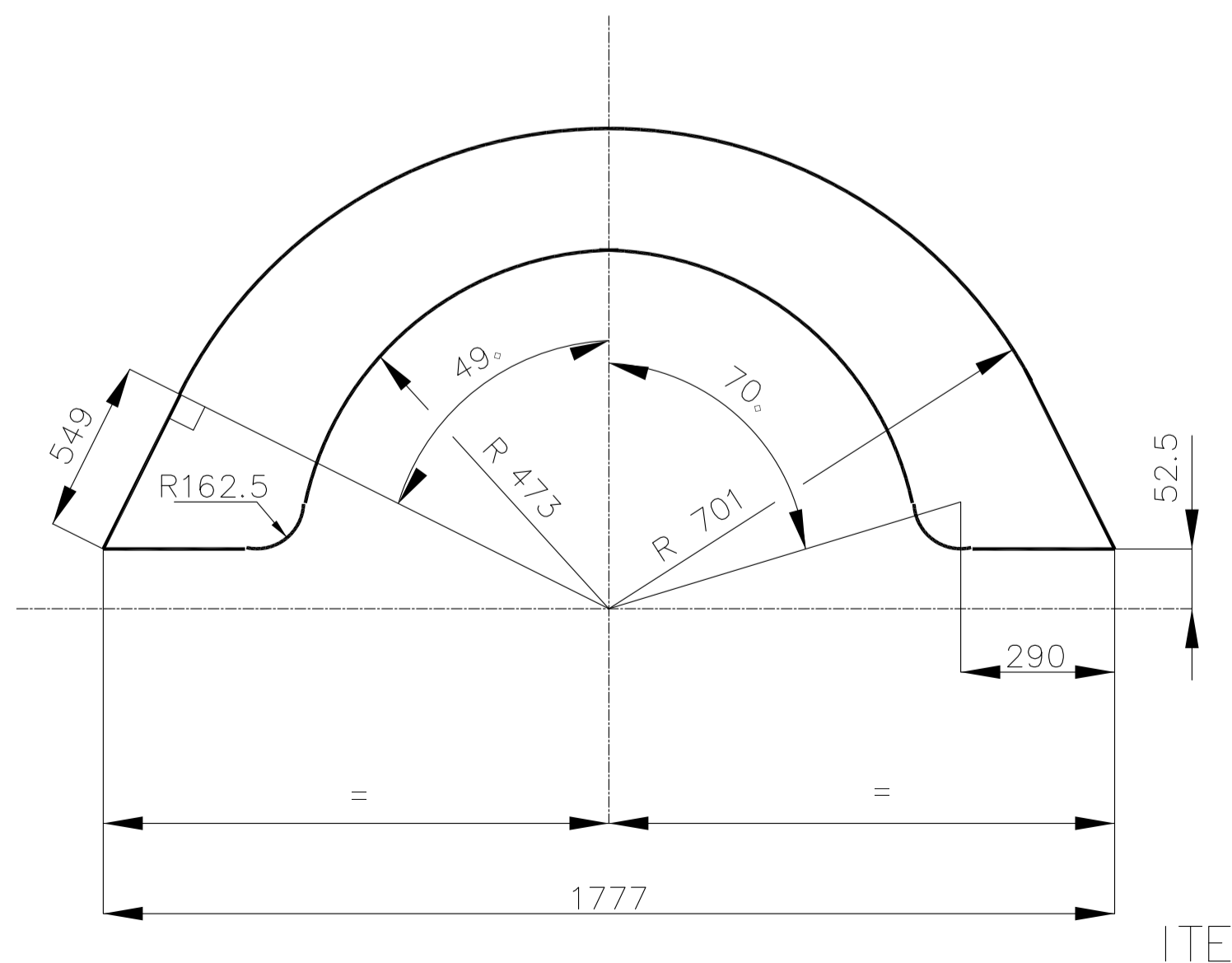
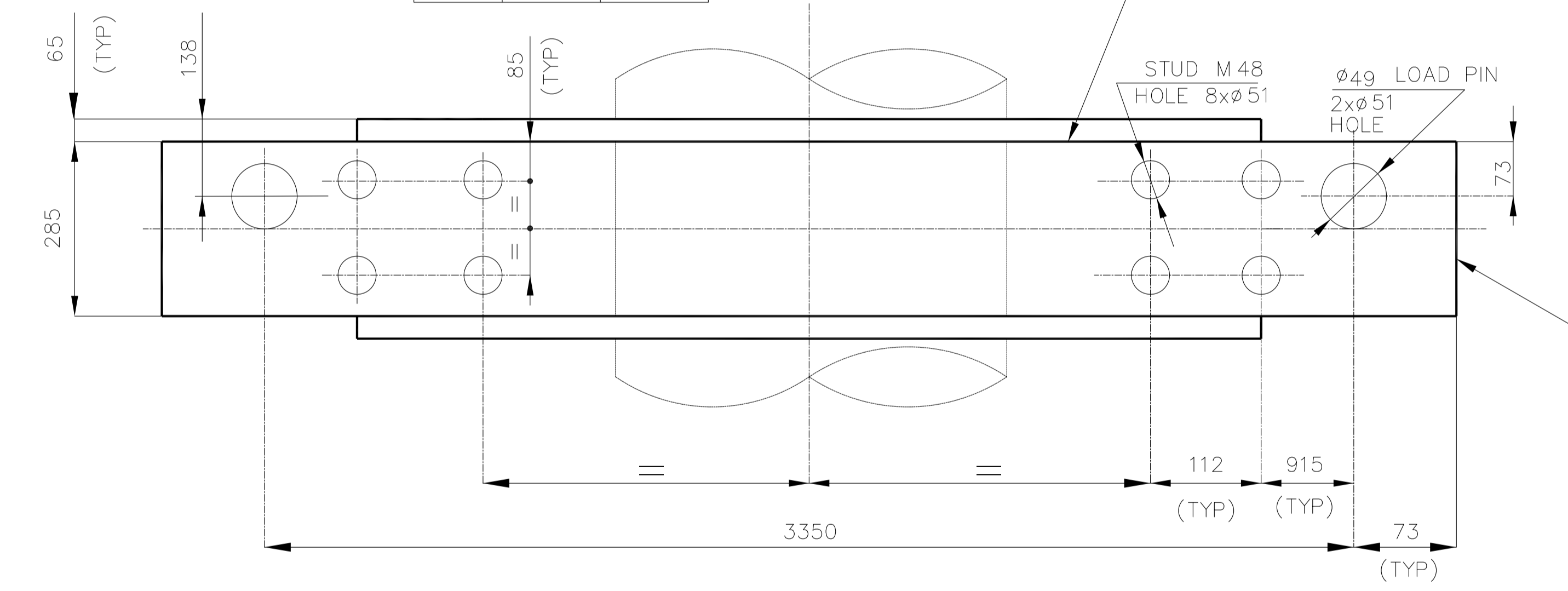
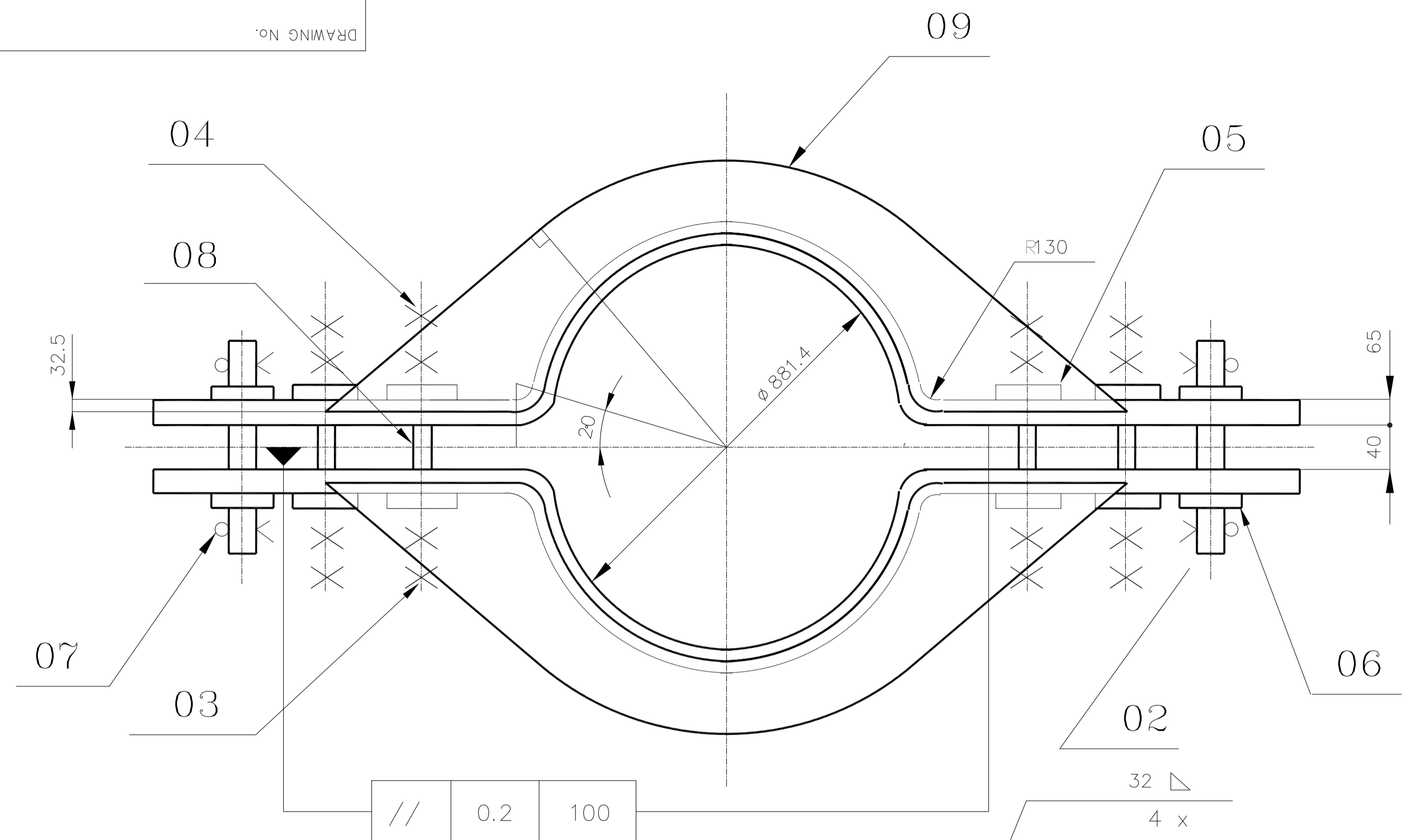
2-80-830-12996
DRAWING No.

DESIGN PARAMETERS

LOAD : 14300 KG
TEMPERATURE : 596 °C
HYDRO LOAD : 41825 KG

NOTES: -

FOR NOTES REFER DRG. No. 4-80-800-34106



VAR NO.	ITEM NO.	DESCRIPTION	QTY	DRAWING NO.	ITEM NO.	MATL CODE	A	UNIT	UNIT WT.	G.S.	ZONE
VAR NO.		MATL SPECN			VAR NO.		C	DI	QTY.		
	09	RIB PL.65x649x1777	227.662	28083012996		159421610000		C	4		
			4			SA387GR91					
	08	SPACER RING	0.34	48083260239		153391730000		C	8		
			8			SA182F22					
	07	SPLIT PIN	0.037	4170410063		417041006300			4		C
			4								
	06	LOAD PIN WASHER	0.405	4140856000		414080005600			4		
			4								
	05	STUD WASHER	0.284	4140848000		414080004800			16		
			16								
	04	NUT M48	1.24	4132448000		413245004800			32		
			32								
	03	STUD M48x380	5.026	48083078134		150391690000			8		
			8			SA193B16					
	02	LOAD PIN DIA 49x257	3.680	48083265601	7	153391430000		C	2		
			2			SA105					
	01	CLAMP PL.65x285x3859	561.148	28083012996		159421610000		C	2		B
			2			SA387GR91					

TYPE OF PRODUCT OR NAME OF CUSTOMER/PROJECT

	BHARAT HEAVY ELECTRICALS LTD.,		DRN	NAME	SIGN	DATE	NO OF
	PIPING CENTRE, CHENNAI		CHD	SARAVANAN C		30.06.14	ITEMS
			APPD	K V R		30.06.14	

REV 01	DATE	ALTERED
ZONE		CHECKED

DEPT.	GRADE OF UN TOL. DIM	SCALE	WEIGHT (Kg)	REF TO ASSY / OLD DRG.	ITEM No.
CODE	C/M/F	NTS	2129.224		
TITLE	CARD CODE	DRAWING No.	REV		
DBT-3350 LOAD-14300 KG	U 01	2-80-830-12996	00		