

76870-0000-A-2
DRAWING

ALL DIMENSIONS ARE IN MILLIMETRES. FOR TOLERANCES OF UNTOLERANCED DIMENSIONS DURING MANUFACTURE REFER RELEVANT QCP / QP

NOTE:

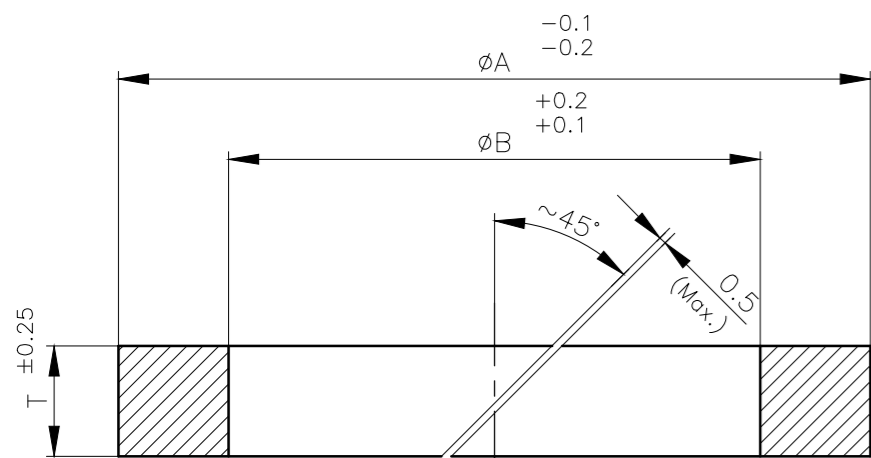
- EACH RING SHALL BE MADE OF EXPANDED GRAPHITE AND SUPPLIED IN BRAIDED FORM.
- COMPRESSED RINGS WITH ZINC DUST CORROSION INHIBITOR, TO BE COMPRESSED TO A DENSITY OF 1.35 TO 1.45 gm/cc (85 TO 95 Lbs/Cu.Ft)
- CORROSION INHIBITOR - ZINC = 4 % Min.
- LEACHABLE CHLORIDE = 50 ppm Max.
- SULPHUR COMPOUNDS (EXPRESSED AS "S")=100 ppm Max.
- PACKINGS SHALL WITHSTAND THE SERVICE CONDITIONS OF
 - PRESSURE - 615.0 Kg/Sq.cm Max. &
 - TEMPERATURE - 600°C Max.

PACKING INSTRUCTION:

- PACKING RINGS SHALL BE PACKED IN POLYETHYLENE SHEETS, PROPERLY ROLLED AND SHALL NOT OPEN OUT DURING TRANSPORT & STORING.
- EACH PACK SHALL CONTAIN PRINTED/Written LETTERS LISTING THE DRAWING No., CODE No., SIZE AS INDICATED IN COLUMN Nos. 2, 3, 4 AND SUPPLIER'S NAME.
- DRAWING No., CODE No. SHALL BE READABLE & VISIBLE UNDER PACKED CONDITION.

RECOMMENDED SUPPLIERS

SL. No.	SUPPLIER	MODEL No.
01.	M/s J.D. JONES	PACMAAN® NA 701
02.	M/S.MECHANICAL PACKING	SPITMAAN CODE NO.404011



SL. No.	DRAWING No.	COMP. CODE	DIMENSION			WT. (gm)	REMARKS
			øA	øB	T		
01	2.V.5732.07892/02	96 456 923	32.40	14.45	6.4	7.0	SV-(1/4" To 1/2") -1500/2500
02	2.V.5734.07892/02	96 456 924	41.17	17.40	11.9	21.0	SV-(3/4" & 1") -1500/2500
03	2.V.5737.07892/02	96 456 925	55.40	27.15	13.5	40.0	SV-(1.1/4" To 2") -1500/2500
04	2.V.5610.07892/02	96 456 926	46.70	27.15	9.5	17.5	BDV-1.1/2" -1500
05	2.V.5903.07892/02	96 456 927	15.83	9.53	5.6	1.5	GV-(1/4" To 3/4") -800
06	2.V.5713.07892/02	96 456 928	17.40	11.1	4.8	1.5	SV-(1/4" To 3/4") -800 & BDV-1"-800
07	2.V.5904.07892/02	96 456 929	19.0	11.1	6.4	2.6	GV-1" -800
08	2.V.5714.07892/02	96 456 930	19.0	12.7	6.4	2.2	SV-1" -800
09	2.V.5906.07892/02	96 456 931	23.75	14.28	4.8	3.0	SV/GV-(1.1/4" & 1.1/2") -800
10	2.V.5907.07892/02	96 456 932	25.35	15.88	4.8	3.2	SV/GV-2"-800
11	2.V.5620.07892/02	96 456 933	34.0	17.4	7.9	9.0	BDV-1"-1500
12	2.V.N081.07892/02	96 456 897	32.5	19.1	6.0	5.0	2"150C, 2"300C GV
13	2.V.N025.07892/02	96 456 898	35.7	22.2	7.0	6.0	3"150C GV
14	2.V.N049.07892/02	96 456 899	35.7	22.2	6.0	5.5	3"300C GV
15	2.V.N033.07892/02	96 456 900	38.9	25.4	8.0	8.2	4"150C GV
16	2.V.N097.07892/02	96 456 901	38.9	25.4	7.0	7.2	4"300C GV
17	2.V.N001.07892/02	96 456 902	45.2	28.6	7.0	10.1	6"150C GV
18	2.V.N009.07892/02	96 456 903	48.4	31.8	10.0	15.8	8"150C GV
19	2.V.N017.07892/02	96 456 904	48.4	31.8	8.0	12.7	6"300C GV,4"900C GV
20	2.V.N057.07892/02	96 456 905	51.6	34.9	10.0	17.0	10"150C GV
21	2.V.N089.07892/02	96 456 906	51.6	34.9	8.0	13.7	8"300C GV
22	2.V.N041.07892/02	96 456 907	57.9	38.1	12.0	27.0	12"150C GV
23	2.V.N065.07892/02	96 456 908	61.1	41.3	9.0	22.0	10"300C,12"300C,14"-150C GV
24	2.V.2477.07892/02	96 456 909	40.0	24.0	8.16	15.0	2"300C GLV
25	2.V.2478.07892/02	96 456 910	44.0	28.0	8.16	16.0	3",4"300C GLV,3"600C GV
26	2.V.2480.07892/02	96 456 911	52.0	36.0	8.16	20.0	6"300C GLV
27	2.V.2670.07892/02	96 456 912	64.0	44.0	10.2	12.0	8"300C GLV 8"900C GV
28	2.V.N350.07892/02	96 456 913	64.3	44.5	10.0	22.0	16"-150C, 14"-300C GV
29	2.V.N224.07892/02	96 456 914	73.8	50.8	12.0	41.0	20"-150C GV ,12"-600C-GV
30	2.V.N361.07892/02	96 456 915	83.3	57.2	13.0	48.0	24"-150C GV
31	2.V.N436.07892/02	96 456 916	67.5	47.6	10.0	60.0	16"-300C GV ,10"-600C-GV
32	2.V.N437.07892/02	96 456 917	77.0	54.0	11.0	80.0	20"-300C GV
33	2.V.B003.07892/02	96 456 922	50.0	32.0	9.2	30.0	4"-600C GV
34	2.V.0030.07892/02	96 453 383	48.0	30.0	9.0	16.5	2 1/2"/C1500,C2500 GV
35	2.V.0032.07892/02	96 453 384	50.0	32.0	9.0	17.4	3"/C1500,C2500 GV, 2 1/2"/C1500 GLV
36	2.V.0034.07892/02	96 453 385	54.0	34.0	10.0	23.0	3"/C1500, 2 1/2"/C2500,C3500 GLV
37	2.V.0036.07892/02	96 453 386	56	36	10.0	24.0	4"/C1500,C2500,C2750, 3"/C3500 GV
38	2.V.0038.07892/02	96 453 387	60	38	11.0	31.0	5"/C1500,C2500 GV, 3"/C2500 GLV
39	2.V.0040.07892/02	96 453 388	59	40	9.5	23.4	4"/C2500 GNV 6"-C600 GV
40	2.V.0042.07892/02	96 453 389	66	42	12.0	40.7	4"/C1500,C2500 GLV
41	2.V.0044.07892/02	96 453 390	68	44	12.0	42.2	6"/C1500,C2500 C2750,C3500 GV 8"-C600 GV
42	2.V.0046.07892/02	96 453 391	72	46	13.0	52.2	
43	2.V.0048.07892/02	96 453 392	74	48	13.0	54.0	8"/C1500 GV 10"-C600 GV
44	2.V.0050.07892/02	96 453 393	78	50	14.0	65.6	
45	2.V.0052.07892/02	96 453 394	80	52	14.0	67.6	8"/C2500, C2750 GV,12"-C600 GV

SL. No.	DRAWING No.	COMP. CODE	DIMENSION			WT. (gm)	REMARKS
			øA	øB	T		
46	2.V.0055.07892/02	96 453 395	85	55	15.0	82.4	6"/C2500, C2750 GLV
47	2.V.0058.07892/02	96 453 396	90	58	16.0	99.0	10"/C1500 GV
48	2.V.0060.07892/02	96 453 397	92	60	16.0	101.7	10"/C2500 GV
49	2.V.0062.07892/02	96 453 398	94	62	16.0	104.4	12"/C1500 GV
50	2.V.0065.07892/02	96 453 399	97	65	16.0	108.4	14"/C1500 GV
51	2.V.0070.07892/02	96 453 400	102	70	16.0	115.1	12"/C2500 GV
52	2.V.0075.07892/02	96 453 401	107	75	16.0	121.8	16"/C1500, 14"/C2000 GV
53	2.V.0080.07892/02	96 453 402	112	80	16.0	128.5	18"/C1500, 14"/C2500 GV 14"/C3500 GV
54	2.V.0090.07892/02	96 453 403	122	90	16.0	141.8	20"/C1500, 18"/C2000, 16"/C2500 GV
55	2.V.0100.07892/02	96 453 404	132	100	16.0	155.3	20"/C2750 GV, 12"/C2000 ELB
56	2.V.0110.07892/02	96 453 405	142	110	16.0	168.6	14"/C2500 SDNR
57	2.V.0120.07892/02	96 453 406	158	120	19.0	262.4	16"/C2500GNV
58	2.V.0S10.07892/02	96 453 407	140	100	20.0	250.9	18"/C2500 GV
59	2.V.0S30.07892/02	96 453 408	46	30	8.0	12.7	2 1/2"/C1500 C2500 GNV
60	2.V.0S38.07892/02	96 453 409	57	38	9.5	22.39	3"/C3500GNV
61	2.V.0S46.07892/02	96 453 410	65	46	9.5	26.16	5"/C1500 GNV
62	2.V.0S55.07892/02	96 453 411	81	55	13.0	69.4	6/C3500 GLV ,GNV
63	2.V.C564.07892/02	96 456 935	68	48	10	28.2	10"/900C GV
64	2.V.C607.07892/02	96 456 936	60	40	10.2	21.3	6"/900C GV ,GNV
65	2.V.V209.07892/01	96 453 464	39	26	6.5	12.1	2 1/2"/2500 GV
66	2.V.V241.07892/01	96 453 465	48	32	8	22.6	4"/2500 GV
67	2.V.V081.07892/01	96 453 466	55	36	9.5	36.3	6"/1500 GV 5"/2500 GV
68	2.V.V129.07892/01	96 453 467	67	48	9.5	45.9	10"/1500 GV 8"/2500 GV
69	2.V.V161.07892/01	96 453 468	88	62	13	112	14"/1500 GV 12"/2500 GV
70	2.V.V177.07892/01	96 453 469	96	70	13	123	16"/1500 GV 14"/3500 GV
71	2.V.5990.07892	96 465 081	44.5	31.8	6.4	8.1	IGV-2.1/2" - C3000 & Y047
72	2.V.5962.07892	96 465 082	76.2	31.5	22.2	140	Y-TYPE 2.1/2"-C2500
73	2.V.2230.07892	96 465 086	16	8	4	2	3mm Pr. GAUGE YALVE
74	2.V.P366.07892/01	96 465 188	79.0	55.0	12.0	36.0	10" - C300 - SV/RV
75	2.V.Y042.07892	96 465 225	20.50	14.50	4.5	2	1/2",3/4"-C1500&C2500-Y TYPE
76	2.V.Y043.07892	96 465 226	25.30	16.10	5.0	2	1"-C1500&C2500-Y TYPE
77	2.V.Y045.07892	96 465 227	38.0	25.55	6.4	6	1.1/2"-C1500&C2500-Y TYPE
78	2.V.Y017.07892	96 465 228	41.18	28.75	6.4	6	2"-C1500&C2500-Y TYPE
79	2.V.NE96.07892	96 465 271	86.5	60.325	14.0	90	22"-300C GV
80	2.V.P560.07892	96 465 413	87.0	62.0	12.5	60.9	12"/C300 RV
81	2.V.NH51.07892	96 465 485	96	70	12.7	60	16"/C300 RV
82	2.V.NH52.07892	96 465 495	106	75	14.3	90	16"/C600 RV

REV	DATE	ALTERED	DEEPAKRAJ	REV	DATE	ALTERED	GANESH
13	29.11.12	CHD & APPD	M.RAJAKUMAR	12	03.02.11	CHD & APPD	M.RAJAKUMAR
SL.NO. 81 & 82 INCLUDED				SL.NO. 80 INCLUDED			

No OFF	DESCRIPTION	MATL CODE	MATL SPECN	HEAT TREATMENT	SCRAP SORT	NET WT (kg)	GROSS WT (kg)	DRAWING No	ITEM No
-	-	-	-	-	-	-	-	-	-
TYPE OF PRODUCT OR NAME OF CUSTOMER/PROJECT									
Bharat Heavy Electricals Ltd. UNIT: HIGH PRESSURE BOILER PLANT. TIRUCHIRAPALLI-620014.				DRN	M.SRINIVASAN	SIGN	DATE	NO OF VAR.	
				CHD	K.S.RAMAN		11.07.06		
				APPD	K.S.RAMAN		11.07.06		
DEPT	V L	SCALE	WEIGHT (KG)	REFERENCE INFORMATION			NO. OF ITEMS		
CODE	320	NTS	REF. TABLE	CAD: F207892					
TITLE				CARD CODE	DRAWING NO.			REV	
PACKING RING (BULL RING)				U 01	2-V-0000-07892			13	