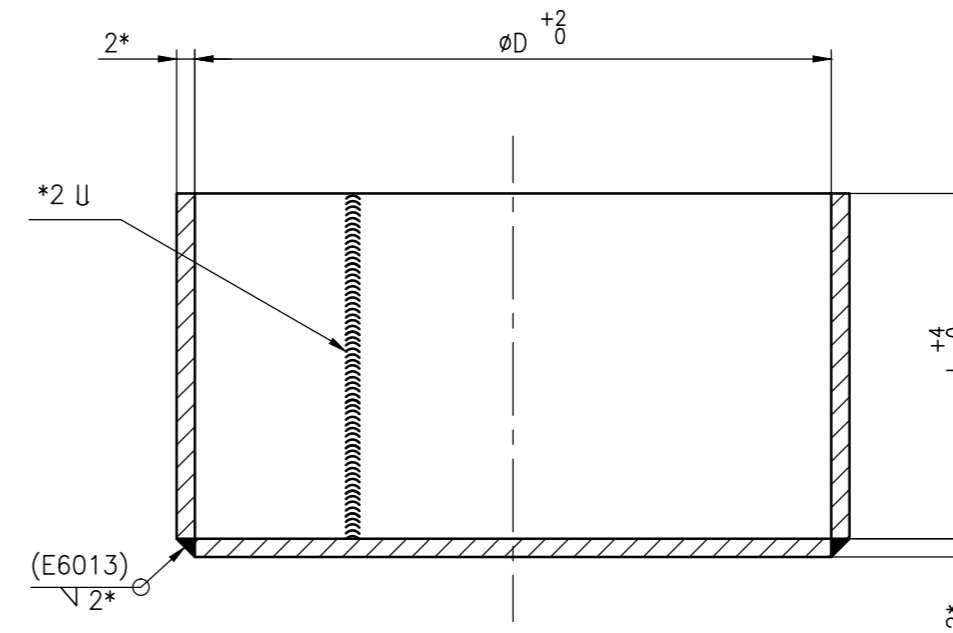


2-V-0000-14336  
DRAWING NO.

ALL DIMENSIONS ARE IN MILLIMETRES. FOR TOLERANCES OF UNTOLERANCED DIMENSIONS DURING MANUFACTURE REFER RELEVANT QCP / QP

SL.No.	DRAWING No.	MATL. CODE	ØD $^{+2}_0$	L $^{+4}_0$	NET WT (Kg)	APPLICABLE VALVE SIZES
01	2-V-N298-14336/1	96 465 276 0000	122	22	0.33	2-C150-GV
02	2-V-F602-14336/1	96 465 277 0000	135	27	0.42	3-C600-GV
03	2-V-2885-14336/1	96 465 278 0000	142	23	0.43	3-C300-RV
04	2-V-N289-14336/1	96 465 279 0000	148	20	0.43	3-C150-FV,3-C150-GV
05	2-V-N255-14336/1	96 465 280 0000	158	20	0.48	3-C300-GV
06	2-V-F603-14336/1	96 465 281 0000	166	33	0.63	4-C600-GV
07	2-V-5171-14336/1	96 465 282 0000	168	23	0.56	3-C300-FV
08	2-V-N294-14336/1	96 465 283 0000	176	35	0.71	4-C150-GV
09	2-V-2886-14336/1	96 465 284 0000	180	33	0.71	4-C300-RV
10	2-V-5177-14336/1	96 465 285 0000	188	18	0.62	4-C150-FV
11	2-V-N251-14336/1	96 465 286 0000	206	30	0.85	4-C300-GV
12	2-V-F604-14336/1	96 465 287 0000	227	43	1.14	6-C600-GV
13	2-V-N248-14336/1	96 465 288 0000	230	30	1.04	6-C150-GV,6-C300-GV
14	2-V-5176-14336/1	96 465 289 0000	232	25	0.98	6-C150-FV
15	2-V-2887-14336/1	96 465 290 0000	236	24	0.99	6-C300-RV
16	2-V-5173-14336/1	96 465 291 0000	242	39	1.22	6-C300-FV
17	2-V-N271-14336/1	96 465 292 0000	282	39	1.55	8-C150-GV
18	2-V-N244-14336/1	96 465 293 0000	288	33	1.52	8-C300-FV,8-C300-GV,8-C600-GV
19	2-V-5170-14336/1	96 465 294 0000	292	30	1.44	8-C150-FV
20	2-V-2888-14336/1	96 465 295 0000	297	33	1.60	8-C300-RV
21	2-V-N267-14336/1	96 465 296 0000	336	40	2.09	10-C150-GV
22	2-V-F609-14336/1	96 465 297 0000	344	35	2.09	10-C600-GV
23	2-V-N235-14336/1	96 465 298 0000	357	43	2.37	10-C300-FV,10-C300-GV
24	2-V-Z018-14336/1	96 465 299 0000	386	63	3.08	12-C300-FV
25	2-V-N903-14336/1	96 465 300 0000	416	45	3.10	12-C300-GV
26	2-V-N631-14336/1	96 465 301 0000	432	58	3.59	12-C300-GV
27	2-V-N593-14336/1	96 465 302 0000	460	50	3.79	14-C300-GV
28	2-V-N594-14336/1	96 465 303 0000	492	47	4.18	16-C300-GV,16-C300-FV
29	2-V-N575-14336/1	96 465 304 0000	540	80	5.79	18-C150-GV
30	2-V-N822-14336/1	96 465 305 0000	593	58	6.10	20-C150-FV,20-C150-GV
31	2-V-N595-14336/1	96 465 306 0000	648	60	7.10	20-C300-GV
32	2-V-N805-14336/1	96 465 307 0000	698	58	8.08	24-C150-GV



**NOTE:**

- 1.MATERIAL SPECIFICATION: IS 1079 Gr.St 34 (BMC10).
- 2.\*SHEET THICKNESS 1.6 ALSO ACCEPTABLE.

REV 01	DATE 16.03.13	ALTERED CHD & APPD	P.NALLATHAMBI S.S.K. & M.R.K
NOTE No.2 ADDED.			
DCP: 801481			

CAUTION: The information on this document is the property of BHARAT HEAVY ELECTRICALS LTD. It must not be used directly or indirectly in any way detrimental to the interest of the company.

No OFF	DESCRIPTION	MATL CODE	MATL SPECN	HEAT TREATMENT	SCRAP SORT	NET WT (kg)	GROSS WT (kg)	DRAWING No	ITEM No
-	-	-	-	-	-	-	-	-	-
TYPE OF PRODUCT OR NAME OF CUSTOMER/PROJECT									
<b>BHARAT HEAVY ELECTRICALS LTD.,</b> UNIT: HIGH PRESSURE BOILER PLANT. TIRUCHIRAPALLI -620014.				DRN	R.RAJKUMAR	SIGN	DATE 08.06.99	NO.OF VAR.	
				CHD	R.L.NARAYANAN		08.06.99		
				APPD	M.RAJAKUMAR		08.06.99		
DEPT VL	SCALE NTS	WEIGHT (KG).	REFERENCE INFORMATION	NO. OF ITEMS					
CODE 320		REF. TABLE	CAD REF: C214336						
TITLE METALLIC END COVER (FABRICATED)							CARD CODE U 01	DRAWING NO. 2-V-0000-14336	REV 01