

NOTES:-

1. ALL DIMENSIONS ARE IN MM AND ELEVATIONS IN METRES UNLESS STATED OTHER WISE.
2. ALL ELEVATIONS ARE MARKED w.r.t. T. G. HALL FINISHED FL. LEVEL AS +0.0M WHICH CORRESPONDS TO RL 69.50M.
3. CHANGES IN TG BUILDING WILL BE REQUIRED BASED ON THE FINALISATION OF SG PACKAGE BOILER AREA DETAILS.
4. REQUIRED STRUCTURES FOR 'B' AND 'G' ROWS WITH RESPECT TO A/C BUILDING SHALL BE UNDER THE SCOPE OF NTA2 CONTRACTOR. BUILDINGS, ALL STRUCTURAL STEEL WORK INCLUDING CIVIL FOUNDATION, ALL CIVIL WORKS, FLOORINGS, WALLS, FINISHES ETC. REQUIRED UPTO 24.0M LEVEL (ROOF OF THE COMMON CONTROL ROOM) SHALL ALSO BE UNDER THE SCOPE OF NTA2 CONTRACTOR. THE NTA2 CONTRACTOR SHALL MATCH THE 'F' AND 'G' ROWS COLUMNS AND BEAMS WITH THAT OF THE COLUMNS AND BEAMS IN 'B' ROW. SIMILARLY THE REQUIRED STRUCTURES IN 'D-E' BAY SHALL BE UNDER THE SCOPE OF NTA1 CONTRACTOR.
5. THE REQUIRED LOAD DATA SHALL BE SHARED WITH NTA1 CONTRACTOR BY THE NTA2 BIDDER DURING DETAIL ENGINEERING.
6. THE INTERCONNECTION PLATFORM SHOWN SHALL BE PROVIDED UPTO D ROW.

REFERENCE DRAWING:

- | | |
|---|--------------------------|
| 1. TG BLDG. EQUIPMENT PLAN AT 0.0M | PE-DG-402-100-M003 (PEM) |
| 2. TG BLDG. EQUIPMENT PLAN AT 8.5M & 12.0M | PE-DG-402-100-M004 (PEM) |
| 3. TG BLDG. EQUIPMENT PLAN AT 24.0M, 27.5M, 31.75M, 36.0M & 47.5M | PE-DG-402-100-M006 (PEM) |
| 4. TO BLDG. & BOILER CROSS SECTION | PE-DG-402-100-M010 (PEM) |
| 5. GENERAL ARRANGEMENT OF HP HEATER No.5A | (HYD) |
| 6. GENERAL ARRANGEMENT OF HP HEATER No.5B | (HYD) |
| 7. GENERAL ARRANGEMENT OF HP HEATER No.6A | (HYD) |
| 8. GENERAL ARRANGEMENT OF HP HEATER No.6B | (HYD) |

LEGEND:

- CHEQUERED PLATE FLOORING
- REMOVABLE CHEQUERED PLATE
- GRATED FLOORING
- REMOVABLE GRATING
- CONCRETE BLOCK
- HAND RAILING
- PARAPET WALL
- GLASS PARTITION
- CUT OUTS

CUSTOMER	नेवेली लिग्नाइट कॉर्पोरेशन लिमिटेड (एनएलसी लिमिटेड) NEYVELI LIGNITE CORPORATION LIMITED (NLC LTD)
CONSULTANT	लहमेयर इंटरनेशनल इंडिया प्राइवेट लिमिटेड M/s LAHMEYER INTERNATIONAL (INDIA) PVT LTD

PACKAGE : STEAM TURBINE GENERATOR PACKAGE (NTA2)

JOB NO.	402	PROJECT	NEYVELI NEW THERMAL POWER PROJECT (NNTPP)		
STATUS	CONTRACT	PROJECT	2x500 MW LIGNITE FIRED UNITS AT NEYVELI		
DISTRIBUTION		DEPT	BHARAT HEAVY ELECTRICALS LTD		
TO		DRN	POWER SECTOR		
REV	DATE	ALTD	CHD	APPR	DATE
1	22.07.2014	OS	AKV/MS	AMH	03.03.2014
2					03.03.2014

REV	DATE	ALTD	CHD	APPR	DATE
1	22.07.2014	OS	AKV/MS	AMH	03.03.2014
2					03.03.2014

1. DRAWING REVISED AS PER RECEIVED AS PER CUSTOMER COMMENTS AND LETTER REF NO. PE/NTA2/NTA2/051/2014 DATED 14.04.2014

2. WIDTH OF THE A/B BAY, FLOOR LEVELS AND LOCATION OF EQUIPMENT AND AISL COLUMNS ARE REVISED IN LINE WITH TENDER DRAWINGS.

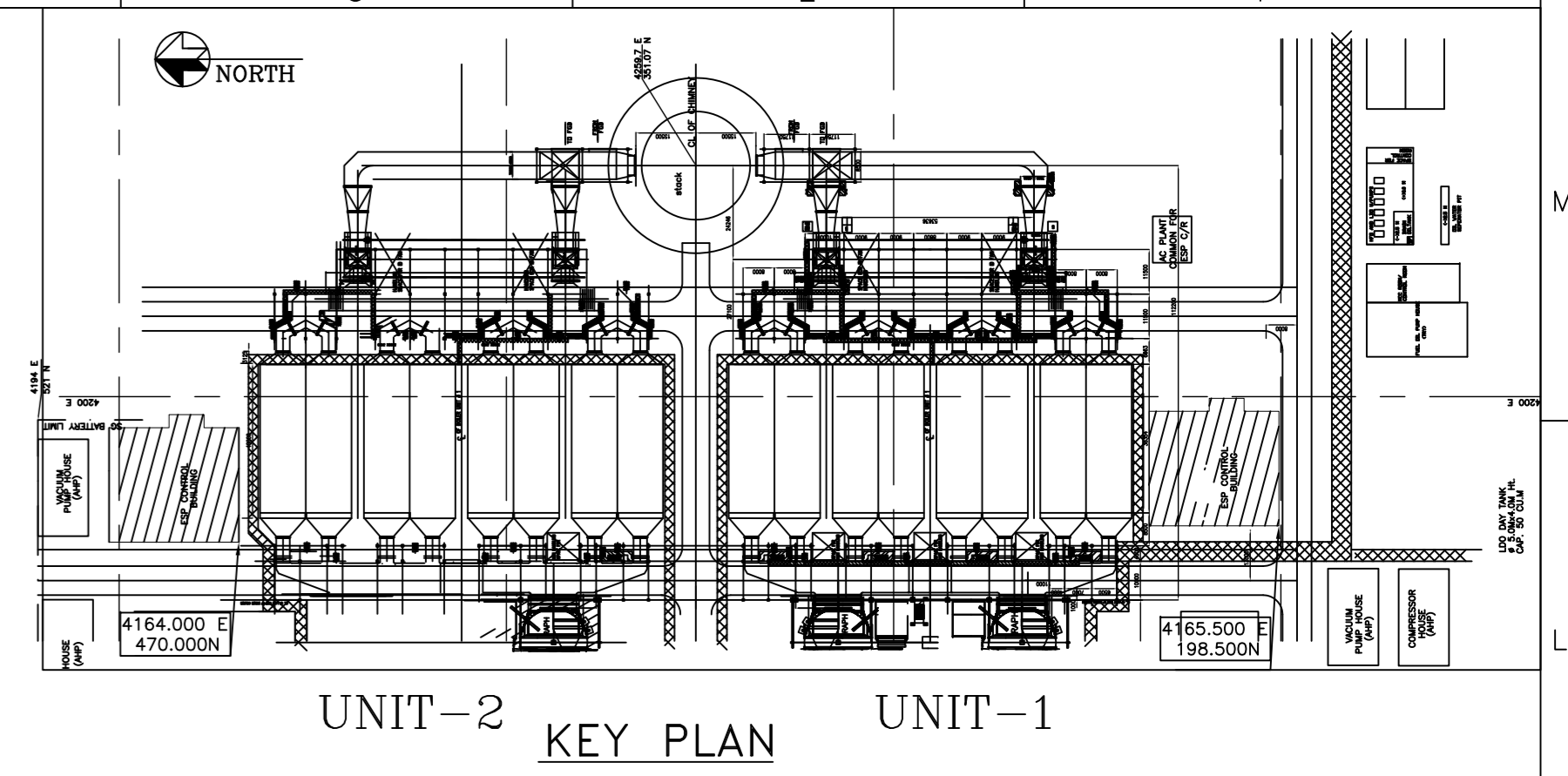
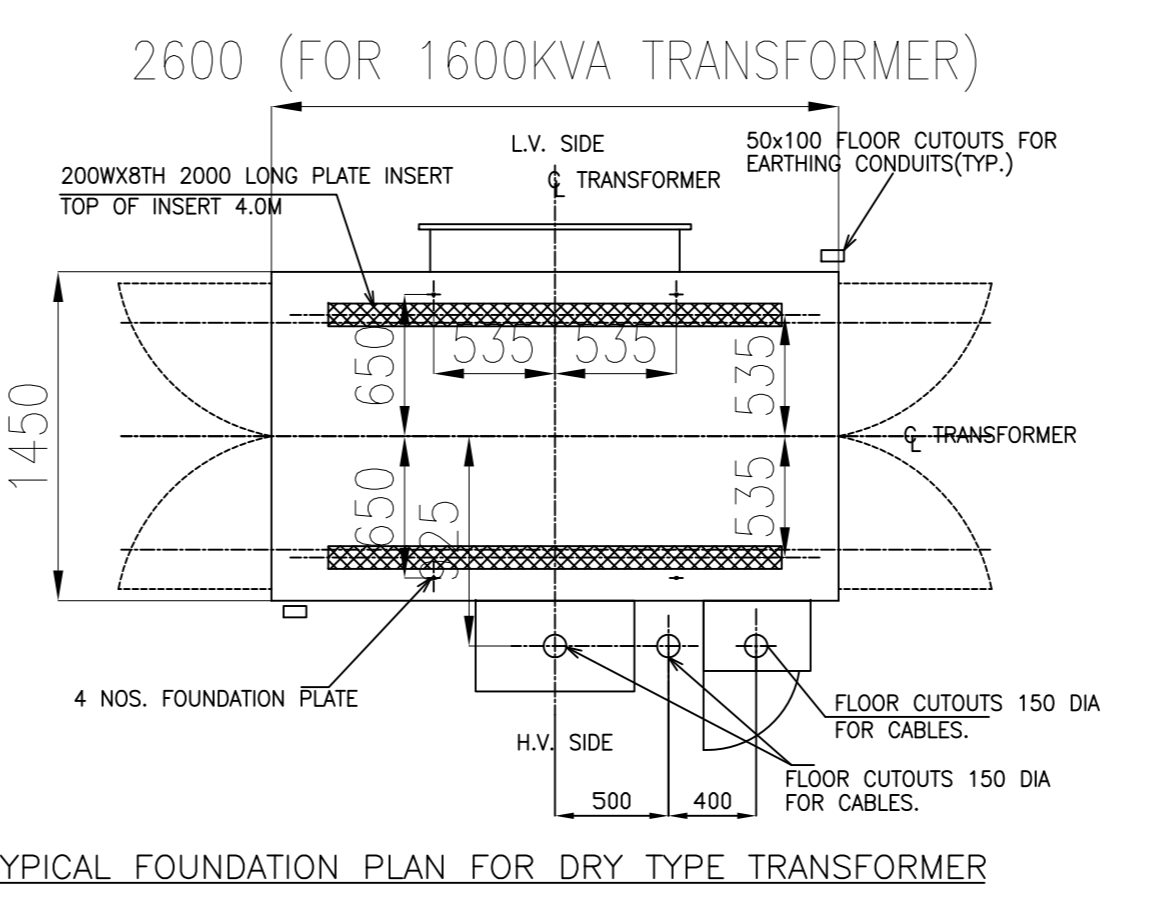
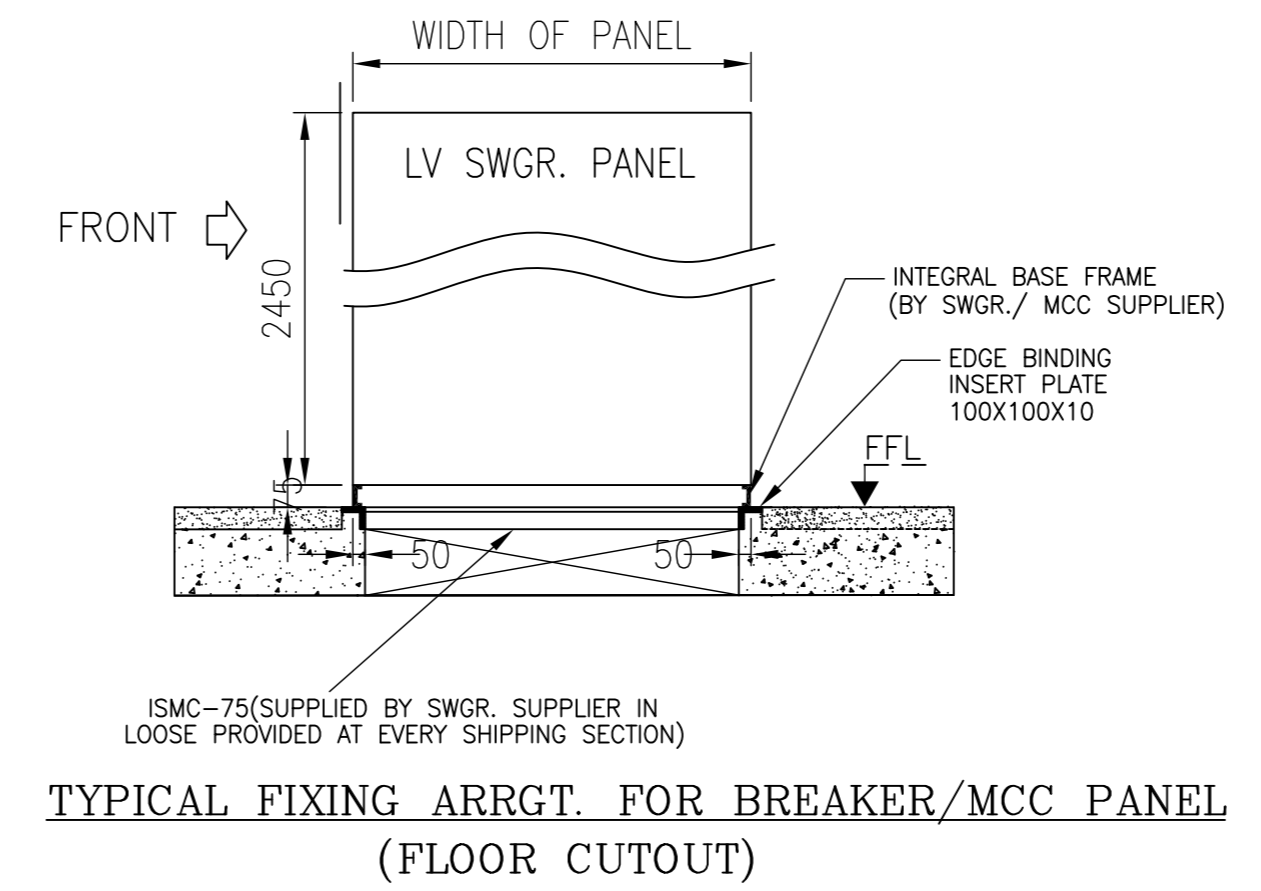
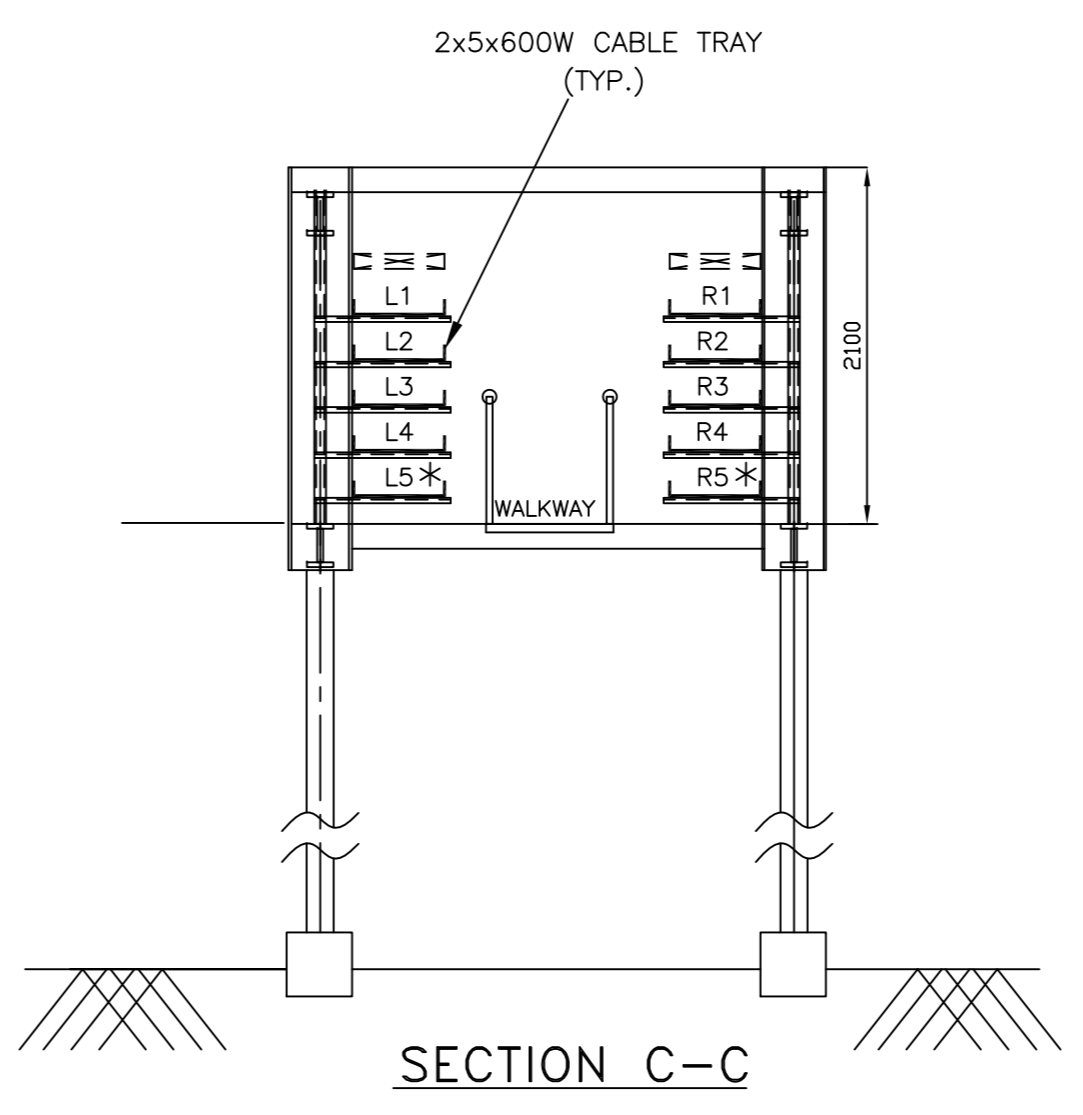
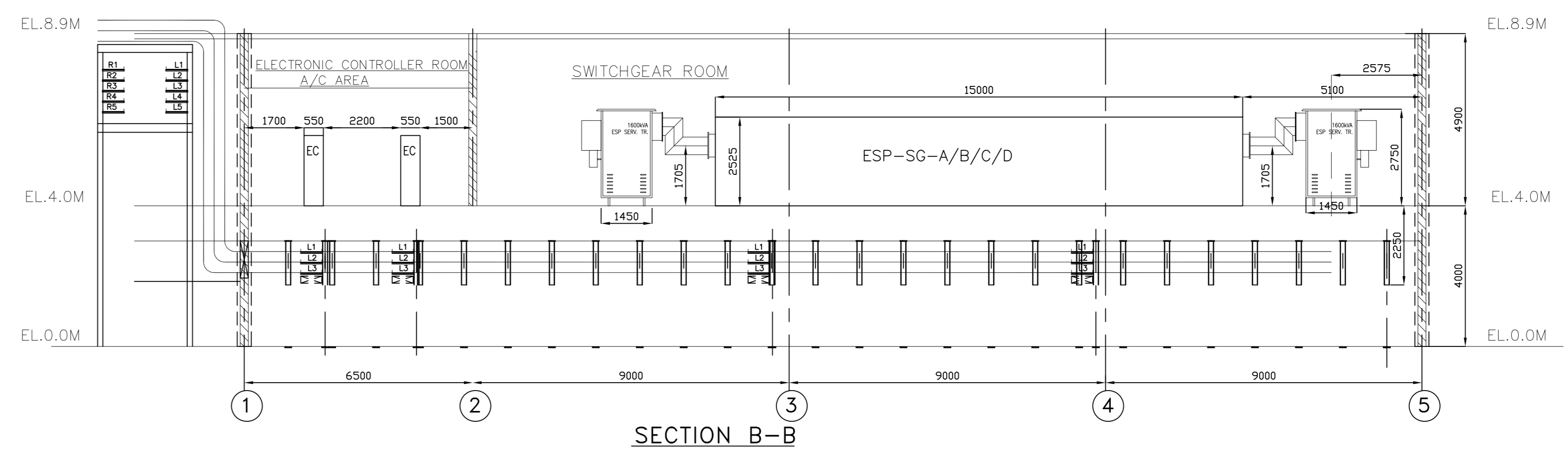
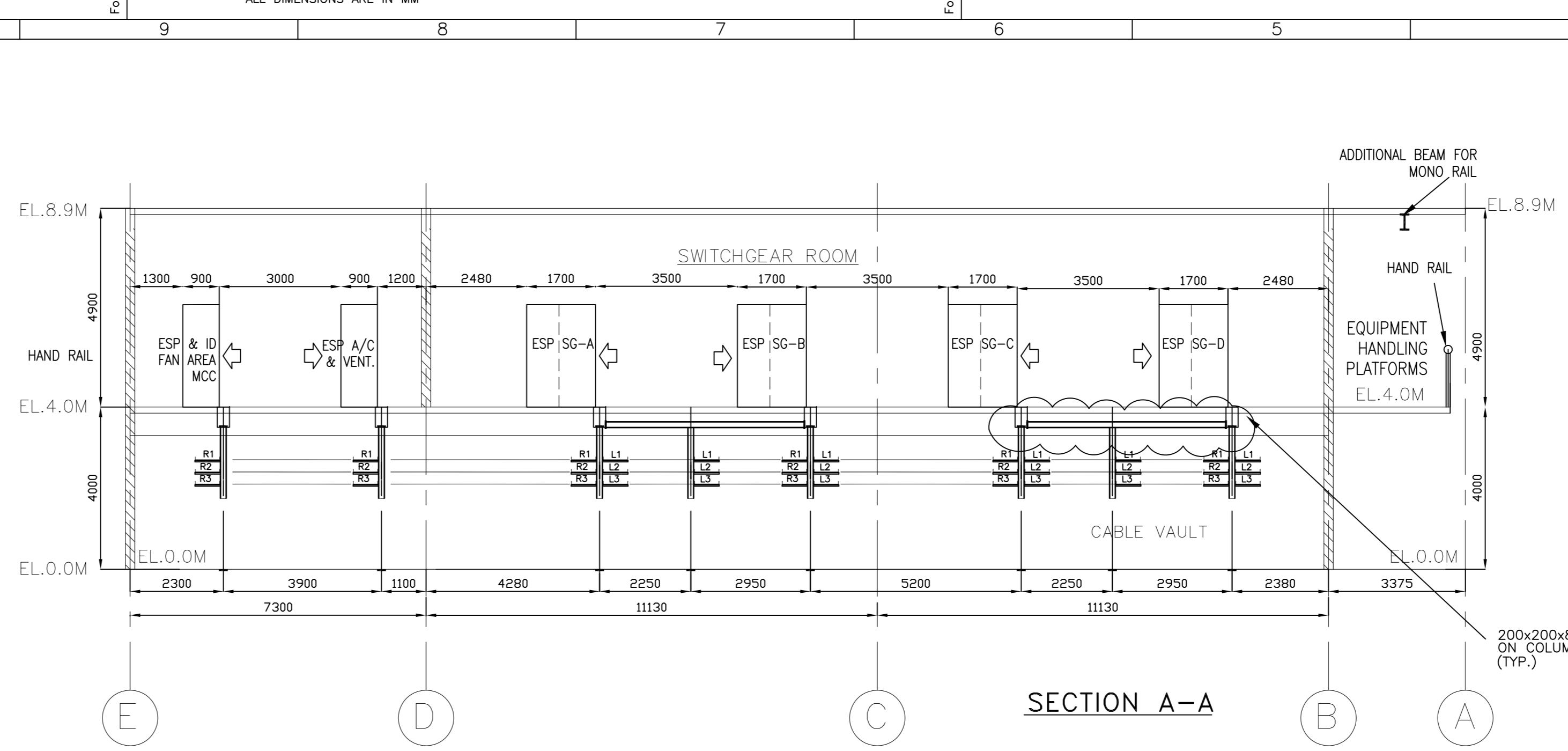
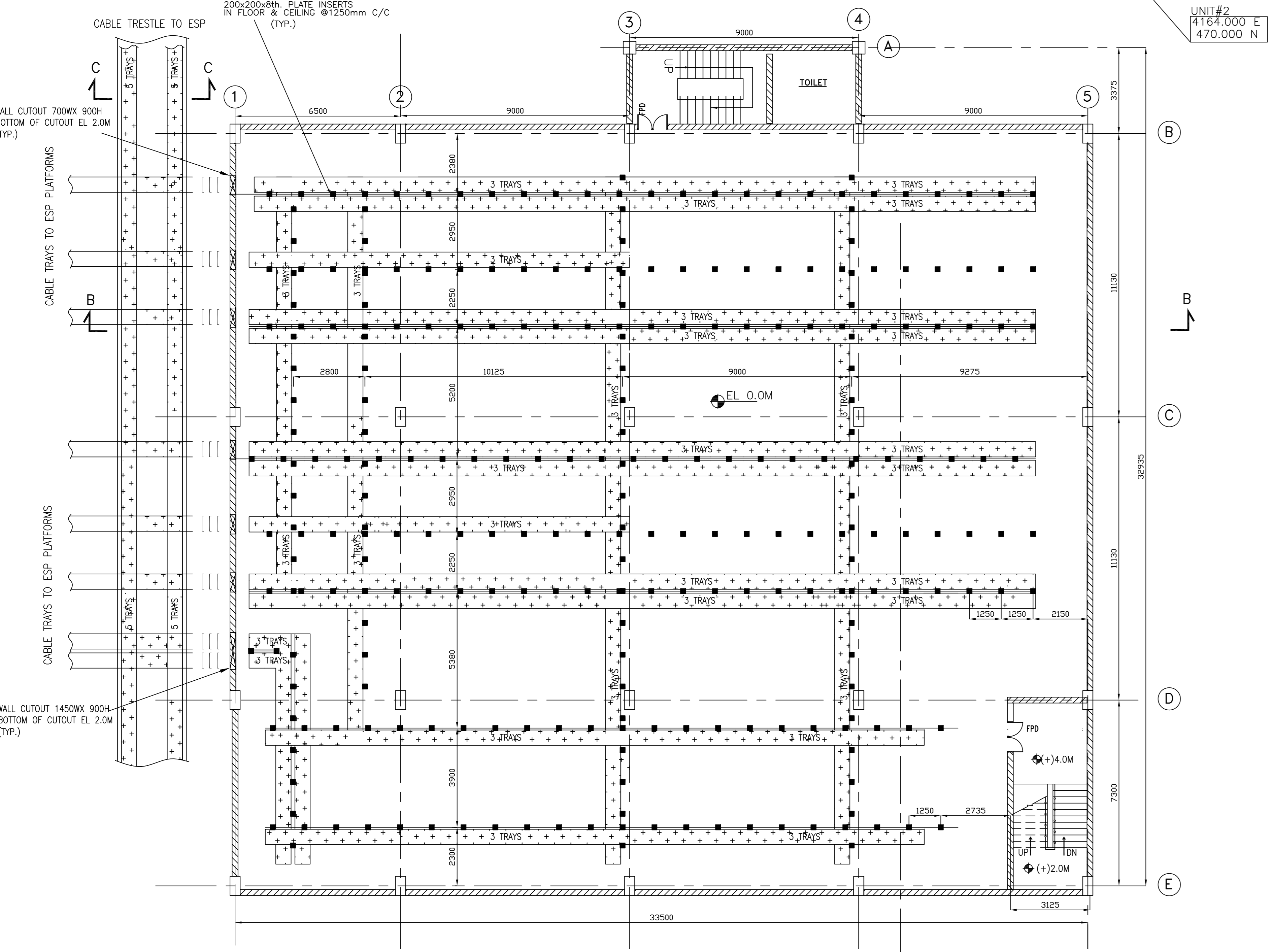
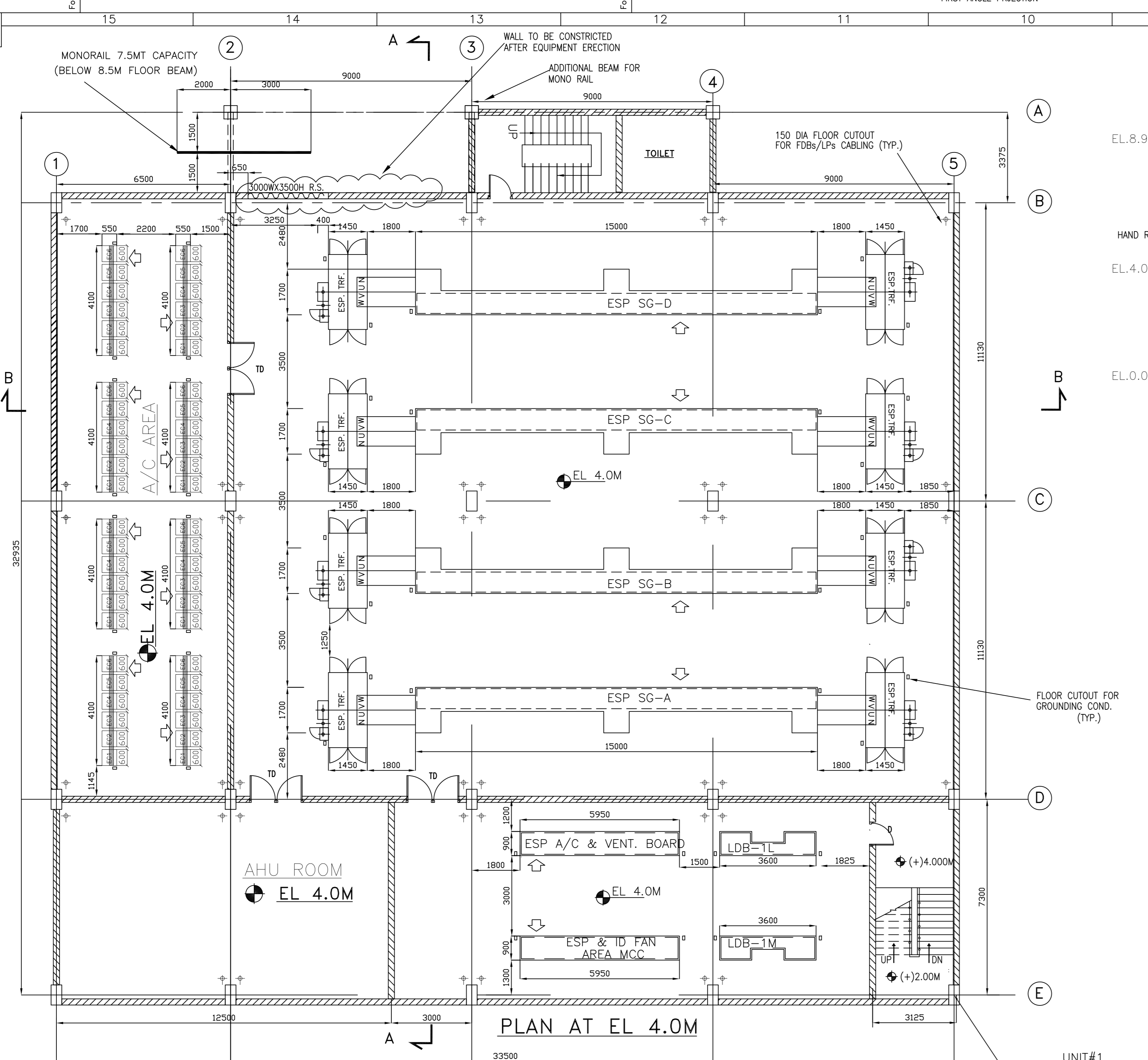
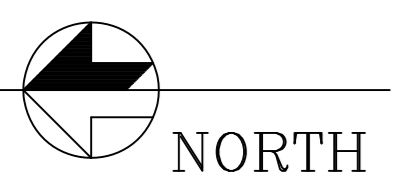
3. DRAWING GENERALLY UPDATED & AS MARKED THIS Δ.

TITLE	TG BUILDING EQUIPMENT PLAN AT 17.0M
DEPT.	POWER SECTOR
SCALE:	1:200
DRAWING NO.	PE-DG-402-100-M005
SHEET	1 OF 1
REV	1

Vaman Jain
 S A Khan
 Praveen Kishore

COPYRIGHT AND CONFIDENTIALITY INFORMATION: This information is the property of BHARAT HEAVY ELECTRICALS LIMITED. It must not be used directly or indirectly in any way detrimental to the interest of the company.

ELECTRONIC FILE NAME: 402_100_M005_R1



REFERENCE DRAWINGS :

S. NO.	TITLE	DRAWING NO.	SOURCE AGENCY
1.	MAIN PLANT EQUIPMENT LAYOUT PLAN	PE-DG-400-100-M002	PEM/ MPL
2.	CROSS SECTION OF MAIN PLANT	-	PEM/ MPL
3.	RECOMMENDED CONTROL ROOM LAYOUT FOR ESP	2-00-114-29869	BHEL/ RANIPET
4.	ELECTRICAL SINGLE LINE DIAGRAM	-	PEM/ ELECT
5.	CABLE ERECTION PHILOSOPHY	PE-DG-400-507-E004	BHEL/ ELECT
6.	DESIGN PHILOSOPHY FOR ELECTRICAL EQUIPMENTS LAYOUT	PE-DC-400-507-E101	BHEL/ ELECT

NOTES :

- ALL ELEVATIONS MARKED ARE W.R.T. T.G. HALL FINISHED FLOOR ELEVATION OF 0.0 M. WHICH CORRESPONDS TO RL +69.50 M.
- ALL DIMENSIONS ARE IN MM AND ELEVATIONS IN METRES UNLESS STATED OTHERWISE.
- THE PANEL DIMENSIONS INDICATED IN DRAWING ARE TENTATIVE AND ARE SHOWN FOR DEVELOPING CONCEPTUAL LAYOUT.
- FOR MOUNTING & FOUNDATION DETAILS AND FLOOR CUTOUTS RESPECTIVE DRAWINGS SHOWN IN 'REFERENCE DRAWINGS' SHALL BE REFERRED.
- THIS DRAWING IS TO BE REFERRED FOR DETAILS OF ELECTRICAL EQUIPMENT AND CABLING LAYOUT ONLY. LAYOUT SHOWN FOR FACILITIES SUCH AS AC & VENTILATION SYSTEM IS INDICATIVE & FOR INTERFACE PURPOSE. FOR EXACT LAYOUT OF OTHER SYSTEMS, RELEVANT DISCIPLINE DRAWINGS SHALL BE REFERRED.
- ALL AREAS SHOWN IN THIS DRAWING ARE NON A/C UNLESS STATED OTHERWISE.
- BOTTOM MOST/OUTERMOST TWO TRAY OF ALL RUNS SHALL BE PERFORATED TYPE.

LEGEND

- OPERATING FRONT OF THE PANEL
- BRICK WALL
- CABLE TRAYS
- PERFORATED TYPE CABLE TRAY
- DOUBLE LEAF DOOR WITH TRANSCOM ARRANGEMENT (3M (HT. INCLUSIVE OF TRANSCOM ARRANGEMENT) X 2M (WIDTH))
- SINGLE LEAF DOOR (1000Wx2100H)
- FIRE PROOF DOOR
- SPACE FOR FUTURE CABLE TRAYS

TABLE-I

S.NO.	EQUIPMENT	SOURCE
1	ESP SG	BHEL/RANIPET
2	EC	BHEL/RANIPET
3	DT TRANSFORMERS	BHEL/JHANSI.
4	NSP BUSDUCT	BHEL/CBU
5	ESP & ID FAN AREA MCCs	BHEL/CBU
6	AC & VENT MCC	BHEL/CBU
7	LDB	PEM/ELECT.

CUSTOMER		NEYVELI LIGNITE CORPORATION LIMITED (NLC LTD)
CONSULTANT		M/s LAHMEYER INTERNATIONAL (INDIA) PVT LTD

PACKAGE: STEAM GENERATOR AND AUXILIARIES (NATI)
 NEYVELI NEW THERMAL POWER PROJECT (NNTPP)
 2X500 MW LIGNITE FIRED UNITS AT NEYVELI

JOB NO.	400			
STATUS	CONTRACT			
DRG./REF. NO. (INTERNAL)				
PRINT SCALE IN METRE	1:100			
REV	DATE	ALTD	CHD	APPR

BHARAT HEAVY ELECTRICALS LTD.	DATE	10/06/2014
POWER SECTOR	CHK	10/06/2014
PROJECT ENGINEERING MANAGEMENT	APP	10/06/2014
NEW DELHI	APP	10/06/2014

PROJECT: ELECTRICAL EQUIPMENT & CABLING LAYOUT IN ESP CONTROL BUILDING (UNIT-1)

SCALE	1:100
DRG. NO.	PE-DG-400-100-E008
SHEET	1 OF 1

Varun Jain
 S A Khan
 Dinesh Kumar