

**BHARAT HEAVY ELECTRICALS LTD
TIRUCHIRAPPALLI – 620 014 (TN), India**

Ref: NIT-17112

Dt: 03.04.14

Notification No: 2001400149

**CORRIGENDA-I TO OUR ENQUIRY REF.2001400149 Dt 22.03.14
FOR THE SUPPLY OF PACKING SLIP CONTAINER
Due on 15.04.14**

Ref : NIT -17112

PACKING SLIP CONTAINER DRAWING NO. 4-SH-B-007/A NOT ATTACHED WITH THE ENQUIRY.

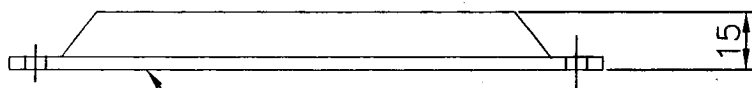
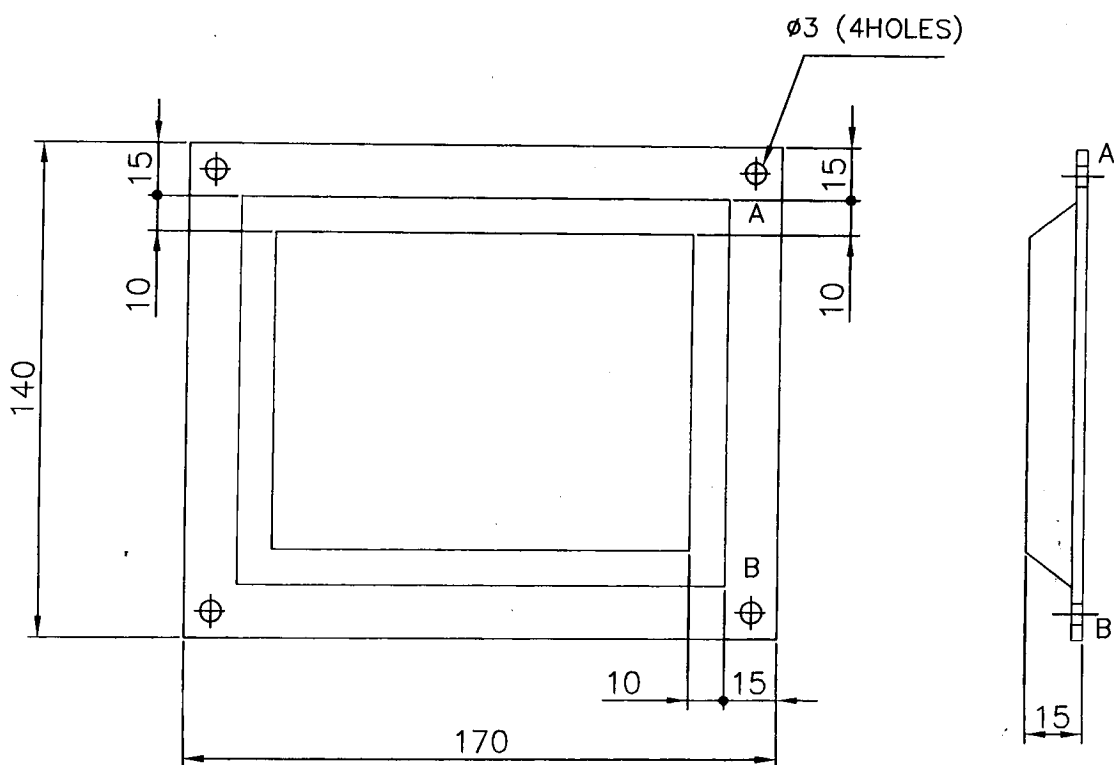
Correction :

PACKING SLIP CONTAINER DRAWING 4-SH-B-007/A IS ATTACHED .



**N. SHANMUGASUNDARAM
Purchase Officer / PSS
Materials Management (MFG)
Bharat Heavy Electricals Ltd
Tiruchirappalli - 620 014,**

THE INFMN ON THIS DOCUMENT IS THE PROPERTY OF BHEL.
 CAUTION: IT MUST NOT BE USED DIRECTLY OR INDIRECTLY
 IN ANY WAY DETRIMENTAL TO THE INTEREST OF BHEL



THICKNESS OF M.S. SHEET 22 GAUGE
 IS 513 D (149 GRAMS PER PIECE)



DRN	CHECKED	APPROVED	4-SH-B-007/A
R.D.SAMY	P.T.SAMY	V.K.PRABU	