



BHARAT HEAVY ELECTRICALS LIMITED

(A Government of India Undertaking)
HIGH PRESSURE BOILER PLANT
PURCHASE DEPARTMENT - FOSSIL BOILERS
THIRUCHIRAPALLI - 620014
TAMILNADU (INDIA)

PHONE :2577419
GRAMS : BHARATELEC
FAX NO: 2520719
E-mail: cmuthuvel@bheltry.co.in
Web:

429-002/A

	Enquiry No	Enquiry Date	Due Date for Quotation
	2001400736 - 51	16.12.2014	10.01.2015
Please quote Enquiry No, Date and due date in all correspondences. This is only a request for quotation and not an order			

Item	Description	Unit	Quantity	Delivery Quantity	Schedule Date
10	AIR HOSE NIPPLE AS PER DRG NO:4M-27A-01-27789-01 - 100 no's AIR HOSE NIPPLE AS PER DRG NO:4M-27A-02-29078 - 50 no's AIR HOSE NIPPLE	NO	150.000	150.00	10.02.15
20	WHEEL FRONT FLANGE AS PER DRG. NO. 4M-27A-02-28822 WHEEL FRONT FLANGE	NO	50.000	50.00	10.02.15

General Note:

- 1.Terms and conditions as per enclosed annexure.
- 2.The validity of the offer should be 90 days. If the supplier does not accept validity of the offer 90 days from the date of technical bid opening, such offer will be rejected.
- 3.The enquiry number and due date which is supercribe on the outer cover of the techno-commercial bid should be same as per our enquiry number and due date, otherwise we will not considered that offer.
4. IMPORTANT NOTE:-The commercial confirmation format (as per clause no.32) should be submitted along with the technical bid, without fail. Terms and conditions to be confirmed /accepted/mentioned in your technical bid and the format (which we have mentioned in our enquiry annexure clause no.32) should be the same, without any variation/deviation. In case of variation/deviation between the technical bid and format, the details furnished in the format (clause no.32) only are considered for evaluation.


Enclosures:

"LD clause has to be confirmed without fail."

The offers should reach us 30 minutes before the time of opening of tenders.
The offers will be opened at 14.30 hrs on the due date of tender in the presence of tenderers who have submitted their offer and who may like to be present for the tender opening.Late and delayed offers are liable to be rejected.

Yours faithfully,
For BHARAT HEAVY ELECTRICALS LIMITED

L. SHANNUGASUNDARAM
Purchase Officer
MR / MFG / Purchase / PSS
BHEL, TRICHY - 620 014.


MANAGER / PURCHASE
(FOSSIL BOILERS)
Yours faithfully,

BHARAT HEAVEY ELECTRICALS LIMITED
(A GOVT.OF INDIA UNDERTAKING)
HIGH PRESSURE BOILER PLANT
TIRUCHIRAPPALLI - 620 01

Annexure

218

TERMS AND CONDITIONS OF THE ENQUIRY (TWO PART BID)

1. The tender will be operated on two part bid basis i.e. (I).Techno-Commercial Bid & (II).Price Bid.

2. Techno-Commercial Bid: Containing Technical details, specifications, commercial terms and conditions like percentage of P&F charges, Freight & Insurance, ED, Cess, Taxes (BHEL will not provide "C" form for Non-Production Items), delivery terms, delivery schedule, validity of offer, payment terms (except price details), acceptance for LD clause, etc. shall be put in a cover and superscribed as "Techno-Commercial Bid" for Enquiry No. XXXXXXXXXXXX Dt:XX.XX.XX Due Dt.XX.XX.XX

3. Price Bid: Containing the price details shall be put in a separate cover and superscribed as "Price Bid" for Enquiry No: XXXXXXXXXXXX Dt:XX.XX.XX Due Dt.XX.XX.XX .

The enquiry number and due date which is superscribed on the outer cover of the techno-commercial bid and price bid should be same as our enquiry number and due date ,otherwise we will not considered such offers.

4. You are requested to put the above two envelopes (Techno-Commercial Bid & Price Bid) inside a separate larger sealed envelope and this envelope shall be superscribed as "Techno-Commercial Bid and Price Bid " for Enquiry No: XXXXXXXXXXXX Dt:XX.XX.XX Due Dt.XX.XX.XX Each tender should be sealed with tenderer's distinctive seal and super scribed with correct tender no., item of supply and due date of opening. Two or more quotation should not be sent in one cover but the quotation against each tender should be sent separately to avoid confusion. Tender should not be addressed to any individual's name but only by designation. **Your Quotations should be sent to:**

The Manager,
Purchase Department / PSS,
Materials Management / Raw Materials,
24 Building (4th Floor),
Bharat Heavy Electricals Limited,
Tiruchirappalli - 620 014.

5. Please submit point wise compliance to our specifications, terms and conditions, as mentioned commercial Terms confirmation format (i.e taxes & duties, F.O.R,ED cess, P&F,Frieght & insurance,payment terms,LD clause etc.). Otherwise it will be presumed that you are accepting BHEL's terms and conditions.

6. Offer/s received after due date and time: 02:00 pm will not be considered under any circumstances.

7. Validity of quoted rates shall be maintained at least for 90 days from the date of Tender opening for ordering, otherwise offer will not be considered against this enquiry. The quoted/Finalized rates shall be Firm till completion of the supplies.

8. The rates are to be quoted on F.O.R. destination basis (Inclusive of Packing, Forwarding, and Freight and Transit Insurance charges to supplier account. The material should be delivered at BHEL Complex, Trichy by your carrier and at your own cost (Delivery condition like Ex-works / Ex-godown / Transportation of materials through transport carriers from your works upto the transport carrier's office at Tiruchy and taking delivery of goods by BHEL from such office of transport carriers, Transportation of materials on "TO PAY" basis etc is not acceptable to us),such type of offer will be rejected.

09. Unloading at BHEL Site has to be done by the suppliers and BHEL will not be in a position to provide any handling / unloading facilities.

10. Payment Terms (Indigenous)

Stores:

Payment term is 100% direct payment after 45 days from the date of receipt and acceptance of materials.

Any deviation in the above payment term will attract loading as mentioned below.

"Base rate of SBI (as applicable on the date of bid opening. Techno-commercial bid opening in case of two part bids) + 6% shall be considered for loading for the period of relaxation sought by bidders.

Payment through Bank is not preferred. In case of Payment through Bank is opted by Supplier, BHEL prefers documents submission through bank with copy of LR and door delivery of Goods to Site/Stores with Consignee copy attached. In this case Loading will be 5% on the offered value. Any other option through bank, other than the above, is not acceptable to BHEL and the offer is liable for rejection.

LC/Advance Payment will not be operated for indigenous vendors. Offers of indigenous vendors with payment terms as LC/Advance Payment are liable for rejection. Exceptional deviation to the above after adequate loading will require approval of competent authority as per the Policy guidelines.

11. Liquidated Damages / Penalty:-

Liquidated damages shall be 0.5% of the total order value per week or part thereof subject to a maximum of 10% of the total order value.

Any deviation from the above LD clause, loading will be applied to the extent to which it is not agreed by the bidder (at offered value). BHEL will consider the ranking after the loading is applied as referred above (SL no.10 &11) wherever deviations are observed.

12. Tenders should be free from CORRECTION AND ERASURES. Corrections if any must be attested; all amounts shall be indicated both in words as well as in figures. Where there is difference between amount quoted in words and figures, amount quoted in words shall only be considered.

13. No revision of prices will be entertained after tenders are opened.

14. If any sales tax is payable as extra to the quoted price it should be specifically stated in quotations along with CST & VAT Number failing which the purchaser will not be liable for payment of sales tax. Our TIN 33243560005 dt.01.01.2007 & CST no 239383 DT, 11.06.1991

15. On the due date of tender opening, only the technical bids will be opened. Technical bids will be evaluated by us and clarifications required, if any, will be called for from the bidders on technical and commercial points. The price bids of techno-commercially suitable bidders will be opened on a later date with prior intimation to respective bidders.

16. Ranking L-1, L-2 etc. shall be done for individual items for the techno-commercially acceptable offers on landed cost to BHEL, Trichy basis and BHEL reserves the right to place order for individual items with different vendors.

17. BHEL reserves the right to increase or decrease the tendered quantity and split the tender quantity.

18. In the event of more than one vendor becoming L1 for any of the item / items, the enquiry quantity for those item / items will be shared equally among all the L1 vendors. For such item / items splitting will be done among L1 vendors.

19. BHEL reserves the right to increase or decrease the tender quantity and split up the tender quantity among more than one vendor at the lowest acceptable price to BHEL and place order accordingly in any proportion at our own discretion.

20. Lowest price received against BHEL tenders need not be the technically acceptable one and in that case BHEL reserves the right not to consider the same. The purchaser shall be under no obligation to accept the lowest or any other tender and shall be entitled to accept or reject any tender in part or full without assigning any reason whatsoever.

21. BHEL reserves the right to negotiate or refloat the tender opened if L1 price is not the lowest acceptable price to them inter-alia other reasons.

22. PACKING AND MARKING: The supplier shall arrange for securely protecting and packing the stores to avoid loss or damages during transit.

23. RISK PURCHASE: Alternatively the purchaser at his option will be entitled to terminate the contract and to purchase elsewhere at the risk and cost of the seller either the whole of the goods or any part which the supplier has failed to deliver or dispatch within the time stipulated as aforesaid or if the same were not available, the best and the nearest available substitutes therefore. The supplier shall be liable for any loss, which the purchaser may sustain by reason of such risk purchases in addition to penalty at the rate mentioned in our LD clause.

24. PREFERENTIAL DELIVERY: It should be noted if a contract is placed on a higher tendered as a result of this invitation to tender in preference to the lowest acceptable offer in consideration of the earlier delivery, the seller will be liable to pay to the purchaser the difference between the contract rate and that of the lowest acceptable tender on the basis of final price F.O.R destination, including all elements of freights, Sales tax, duties and other incidents, incidental in case of failure to complete supplies in terms of such contract within the date of delivery specified in the tender and incorporated in the contract.

25. CENVAT CREDIT: If any Excise Duty is payable, the Chapter Head / Sub-head reference and the rate of the duty should be quoted. If the Tenderer is availing CENVAT credit for this input material, the effect of Proforma credit should be passed on to the purchaser. Tenderer under "CENVAT" shall be preferred.

26. Any other conditions which might have been quoted by the seller and are in contravention to the terms prescribed in the order and which have not been specifically accepted in by purchaser will not be applicable to the contract.

27. All corrigenda, addend a, amendments, time extensions clarifications, etc. to the tender will be hosted on BHEL website (www.bhel.com) only (apart from unit website-if any). Bidders should regularly visit website(s) to keep themselves updated.

28. Special Provisions for Micro and Small Enterprises (MSE) bidders registered as per MSME act:

(Subject to participating MSE vendors should meet the tender requirements of BHEL)

- If L1 offer is from a Micro / Small enterprise, the 20% earmarking provision is not applicable.
- 20% of the tendered quantity is earmarked for MSE suppliers in this tender.
- Out of the 20% tendered quantity reserved for MSE suppliers, 4% shall be earmarked for procurement from MSE owned by SC/ST entrepreneurs.
- In case MSE vendor participating in the tender quotes within the price band of L1 + 15%, they will be allowed to supply the portion of the requirement subject to acceptance of L1 price by MSE vendor. In case of more than one such MSE, the supply shall be shared proportionately.
- MSE suppliers can avail the intended benefits only if they submit along with offer, attested copies of either EM II certificate having deemed validity (Two years from the date of issue of acknowledgement in EM II) or valid NSIC certificate or EM II certificate along with CA certificate applicable for the year, certifying quantum of investment in plant and machinery within the permissible limit as per the act for relevant status (Micro or small) where the deemed validity of EM II is over. Date to be reckoned for determining the deemed validity will be the last date of technical bid submission. Non submission of such documents will lead to consideration of their bids at par with other bidders and MSE status of such suppliers shall be shifted to Non MSE supplier till the supplier submits these documents.
- In case of any change in the MSE status of the bidder, it shall be the responsibility of the bidder to notify the change as a part of the bid document. If at a later date it comes to the knowledge of BHEL, that the change in the status has not been intimated by the bidder and the order is obtained under the premise of an MSE then BHEL would cancel the pending order against this tender and take necessary steps for suspension of the business dealing with the bidder as per the procurement policy of BHEL.
- In case after the bid opening it is seen that no MSE has become L1, then depending on the nature of the item, if it is not possible to split the tendered items / quantities on account of reasons like customer contract requirements of supplying one make for a given project or technical reasons like tendered items being a system or if it becomes meagre quantity in case of splitting the requirement among L1 and other MSME vendor etc., then BHEL would not counter offer the L1 prices even though there may be MSE bidders within the L1+15% band of L1. The total enquiry quantity will be equally shared among all the L1 vendors.

29. BHEL reserves the right to negotiate with L1 bidder.

30. IMPORTANT NOTE:- Terms and conditions to be confirmed /accepted/mentioned in your techno-commercial bid and price bid should be the same without any variation/deviation. In case of variation/deviation between the techno-commercial bid and price bid, the details furnished in techno-commercial bid only are considered for evaluation.

31. The new vendors for Trichy unit will be required to furnish the following documentary proof/information along with their offers:

1. Certificate of Registration (copy of Certificate to be submitted).
 2. Banker's Information (copy of Bank Pass Book first Page to be submitted).
 3. MSME Vendor Certificate (if applicable).
 4. Address of your organization (Complete Postal Address with PIN code)
 5. Contact Person/s, Phone No., Mobile No., FAX No., E-mail ID.
 6. Statutory documents – VAT/TIN/EXCISE REGISTRATION/SERVICE TAX REGISTRATION/CST REGN etc (copy to be furnished)
 7. NSIC/SSI Certificate (if applicable)
 8. ISO Certificate (if applicable)
 9. Experience certificate as proof of supply of similar item to any Govt.agencies/PSU/Organisations. (Copy of POs to be furnished).
 10. Audit Report / IT Return (if applicable).
 11. Agency Agreement with manufacturer (if applicable).
 12. Partnership Deed (if applicable)
- If the new vendors for Trichy unit fail to submit the above documentary proof/information, their offers will not be considered for this enquiry.

4/18

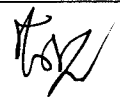
32. COMMERCIAL TERMS CONFIRMATION REQUIRED FROM THE SUPPLIER (TO BE SUBMITTED IN COVER NO: 1). The techno- commercial terms both in the offer and our enclosed format (clause 32) should be same and if any deviation/s in between the offers and enclosed format (clause 32) is found, the commercial terms as per our enclosed format will only be considered.

SL. NO	DESCRIPTION	BHEL REQUIREMENTS	SUPPLIER CONFIRMATION
1	VALIDITY	90 Days from Date of tender opening	
2	PRICE QUOTED	FOR-DESTINATION BHEL STORES TRICHY -620014	
3	PACKING & FORWARDING (Whether inclusive (or) extra) Clearly mention the percentage (or) amount	Supplier Options	INCLUDED / EXTRA (INCASE OF EXTRA MENTION THE PERCENTAGE _____)
4	EXCISE DUTY WITH CESS (Whether inclusive (or) extra) Clearly mention the percentage (or) amount	Supplier Options	INCLUDED / EXTRA (INCASE OF EXTRA MENTION THE PERCENTAGE _____)
5	VAT / CST Clearly mention the percentage	Supplier Options	
6	FREIGHT (Whether inclusive (or) extra) Clearly mention the percentage (or) amount	Supplier Options	INCLUDED / EXTRA (INCASE OF EXTRA MENTION THE PERCENTAGE _____)
7	DEIVERY SCHEDULE	AS PER BHEL SCHEDULE	
8	PAYMENT TERMS	100% After 45 days from the receipt and acceptance of materials.	
9	LD CLAUSE	0.5% per week to maximum of 10% for the total value.	
10	MSME CERTIFICATION	To be attached and please submit annexure-1.	ATTACHED / NOT ATTACHED
11	CONTACT PERSON DETAILS	NAME: MOBILE NO: EMAIL :	
12	For New Vendor	Document mentioned in clause no. 31 should be submitted.	Yes/No

BIDDERS SHALL SUBMIT THEIR PRICE IN THE FOLLOWING FORMAT ONLY. (TO SUBMITTED IN SEPARATE COVER NO: 2).

ENQ SL NO	BHEL SPECIFICATIONS	YOUR SPECIFICATION	PRICE IN RS
10			
20			

N. SHANMUGASUNDARAM
Purchase Officer
MM / MFG / Purchase / PSS
BHEL, TRICHY - 620 014.



Certificate by Chartered Accountant on letter head

This is to Certify that M/S
 (hereinafter referred to as 'company') having its registered office at
 is registered under MSMED Act 2006, (Entrepreneur
 Memorandum No (Part-II) dtd:.....
 Category: (Micro/Small)). (Copy enclosed).

Further verified from the Books of Accounts that the investment of the company as per the latest audited financial year as per MSMED Act 2006 is as follows:

1. **For Manufacturing Enterprises:** Investment in plant and machinery (i.e. original cost excluding land and building and the items specified by the Ministry of Small Scale Industries vide its notification No.S.O.1722(E) dated October 5, 2006 :
 Rs.....Lacs
2. **For Service Enterprises:** Investment in equipment (original cost excluding land and building and furniture, fittings and other items not directly related to the service rendered or as may be notified under the MSMED Act, 2006:
 Rs.....Lacs

(Strike off whichever is not applicable)

The above investment of Rs.....Lacs is within permissible limit of Rs.....Lacs forMicro / Small (Strike off which is not applicable) Category under MSMED Act 2006.

Or

The company has been graduated from its original category (Micro/ Small) (Strike off which is not applicable) and the date of graduation of such enterprise from its original category is (dd/mm/yyyy) which is within the period of 3 years from the date of graduation of such enterprise from its original category as notified vide S.O. No. 3322(E) dated 01.11.2013 published in the gazette notification dated 04.11.2013 by Ministry of MSME.

Date:



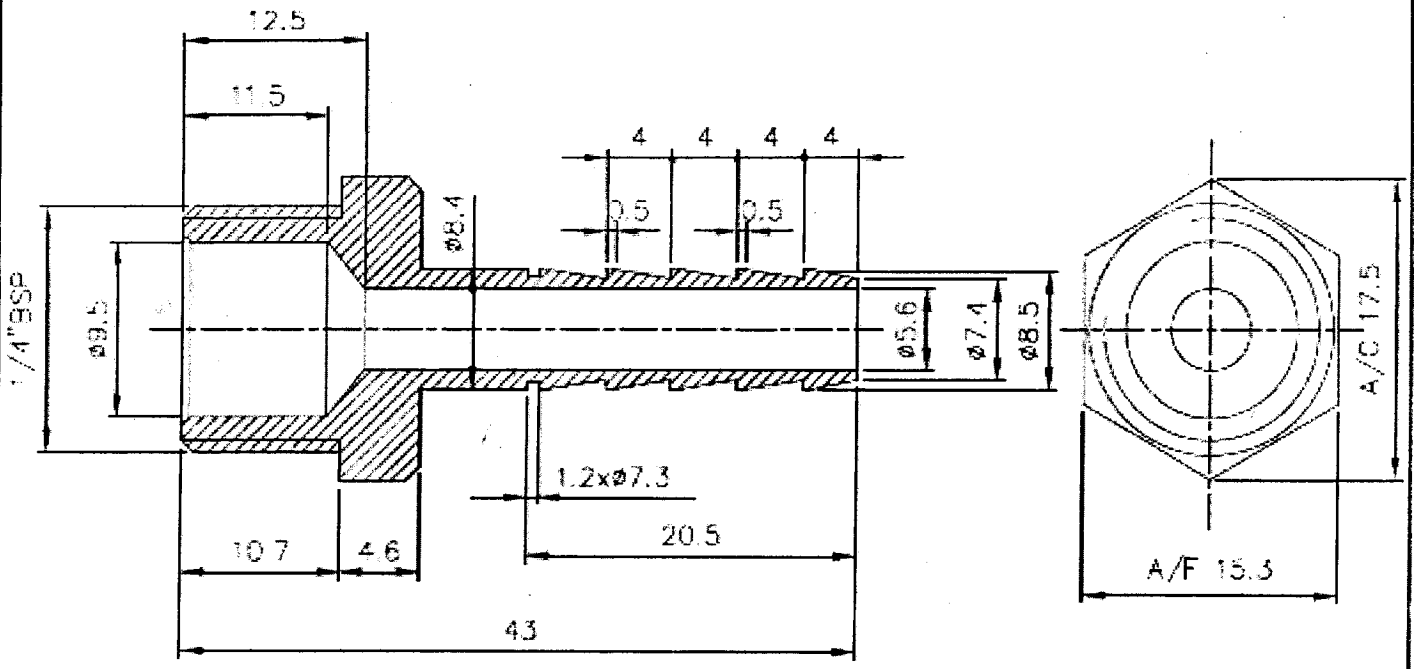
(Signature)

Name -

Membership number -

Seal of Chartered Accountant

SHOULD NOT BE USED IN ANY FORM OR PURPOSE WITHOUT THE WRITTEN PER OF BHARAT HEAVY ELECTRICALS LTD. (INDIANAPALLI) - 680 024.

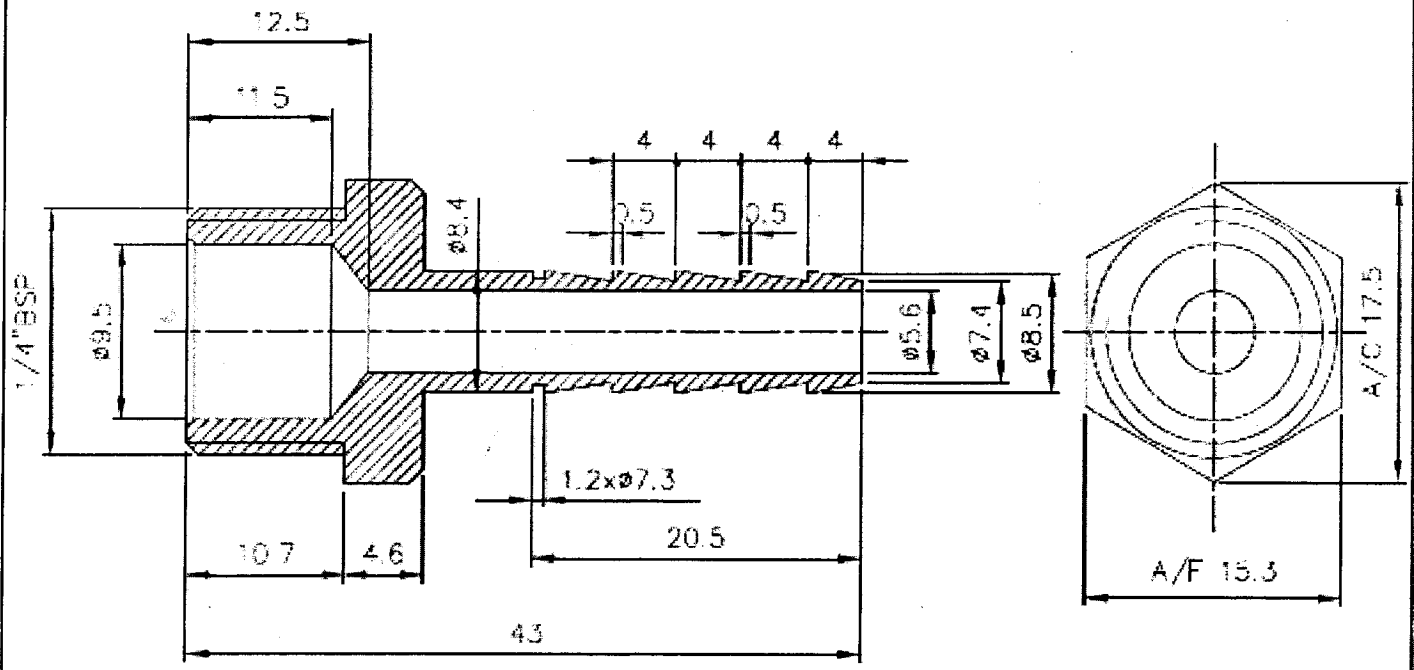


NOTE: -

AVOID SHARP CORNERS

		ROD ϕ 7.5 x 43 L	45 C8	IS. 7283	0.02		
No. of Pieces	DESCRIPTION		MATERIAL	STANDARD	NET. WT. IN KGS.	DRAWING No.	ITE* No.
	REFERENCE:			ALTERATIONS:	DCN REF	DATE	SIGN.
				MATL WAS PCJSH.7 IS28		251006	CSJ
SCALE 2:1	DRAWN	P. Albertose					
	CHECKED	R. Ramamoorthy					
	APPROVED:	C. S. Jayasheelan					
	DATE	10-01-06					
	MACHINE DIE GRINDER			TYPE: -CP 9107			
	TITLE:			DRAWING No.			
	NIPPLE 1/4" BSP			4M27A012778901			
			Sheet No.		No. of Sheets		

SHOULD NOT BE USED IN ANY FORM OR PURPOSE WITHOUT THE WRITTEN PERMISSION OF BHARAT HEAVY ELECTRICALS LTD. (INDIANAPOLIS) - 620 304.



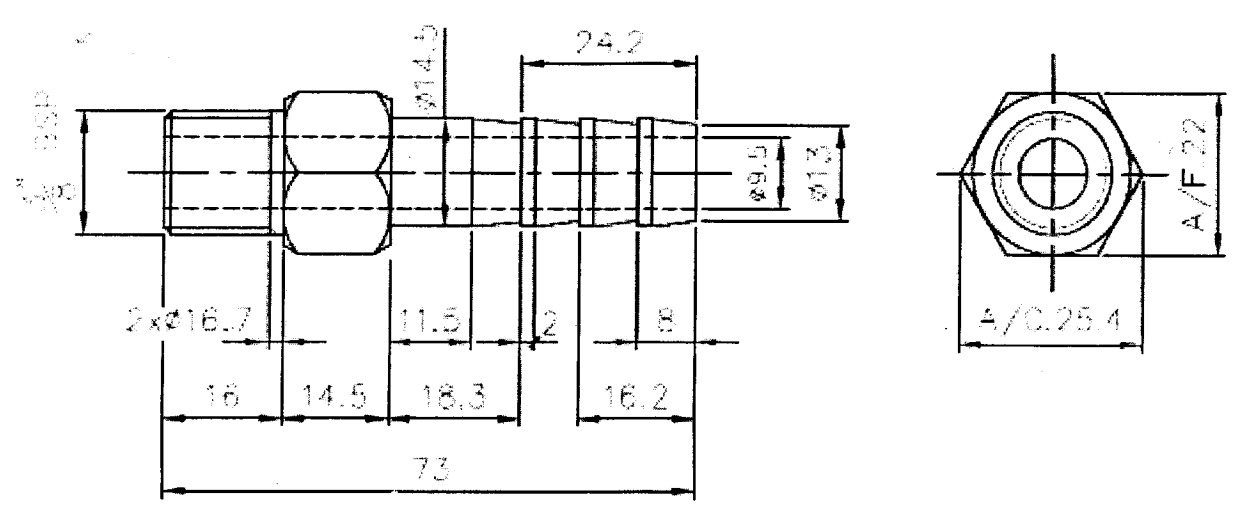
NOTE: -

AVOID SHARP CORNERS




No. of Pieces	DESCRIPTION		MATERIAL	STANDARD	NET.WT.IN KGS.	DRAWING No.	ITEM No.
	REFERENCE:		ALTERATIONS:		DCN REF	DATE	SIGN.
SCALE		DRAWN	P. Albertrose				
		CHECKED	R. Ramamoorthy				
2.1		APPROVED	C.S. Jayasheelan				
		DATE	10-07-08				
MACHINE DIE GRINDER				TYPE: -CP 9107			
TITLE				DRAWING No			
NIPPLE 1/4" BSP				4M27A01		2778901	
				Sheet No		No. of Sheets	

THIS DRAWING IS OUR SOLE PROPERTY
 SHOULD NOT BE USED IN ANY FORM FOR
 PURPOSE WITHOUT THE WRITTEN PERM
 OF BHARAT HEAVY ELECTRICALS LIMIT
 TRICHYRAPPALLI - 640 014.

CAUTION:



NOTE:
SHARP CORNERS TO BE REMOVED

X	$\phi 26 \times 73$ L		4508	IS: 7283	0.26		
	No. of Pieces	DESCRIPTION	MATERIAL	STANDARD	NET. WT. IN KGS.	DRAWING No.	ITEM No.
		REFERENCE:	ALTERATIONS:		DCN REF	DATE	SIGN.
SCALE 1:1	DRAWN	S. Selvamani					
	CHECKED	R. Ramamoorthy					
	APPROVED	C. S. Jayasheelan					
	DATE	17.09.11					
	MACHINE/PNEUMATIC GRINDER			TYPE: AG 150			
	TITLE:			DRAWING No:			REV.
	AIR HOSE NIPPLE			4M27A0229078			
			Sheet No:			No. of Sheets	