



# BHARAT HEAVY ELECTRICALS LIMITED

( A Government of India Undertaking )  
HIGH PRESSURE BOILER PLANT  
PURCHASE DEPARTMENT - FOSSIL BOILERS  
THIRUCHIRAPALLI - 620014  
TAMILNADU (INDIA)

Page  
1/1

PHONE :2577419  
GRAMS : BHARATELEC  
FAX NO: 2520719  
E-mail: cmuthuvel@bheltry.co.in  
Web:

	<b>Enquiry No</b> 2001500034 - 42	<b>Enquiry Date</b> 10.01.2015	<b>Due Date for Quotation</b> 04.02.2015
Please quote Enquiry No, Date and due date in all correspondences. This is only a request for quotation and not an order			

Item	Description	Unit	Quantity	Delivery Quantity	Schedule Date
10	WIRE FEED NOZZLE 1. As per sketch 4-NUC-166-0009 2. Sample to be provided to shop for approval before full quantity supply WIRE FEED NOZZLE	NO	25.000	25.00	30.04.15
20	WIRE FEED NOZZLE TIP 1. As per sketch No. 4-NUC-166-0007 2. Sample to be provided to shop and approved before full quantity supply WIRE FEED NOZZLE TIP	NO	25.000	25.00	30.04.15

**General Note:**

Enquiry terms and conditions are enclosed

**Enclosures:**

"LD clause has to be confirmed without fail."

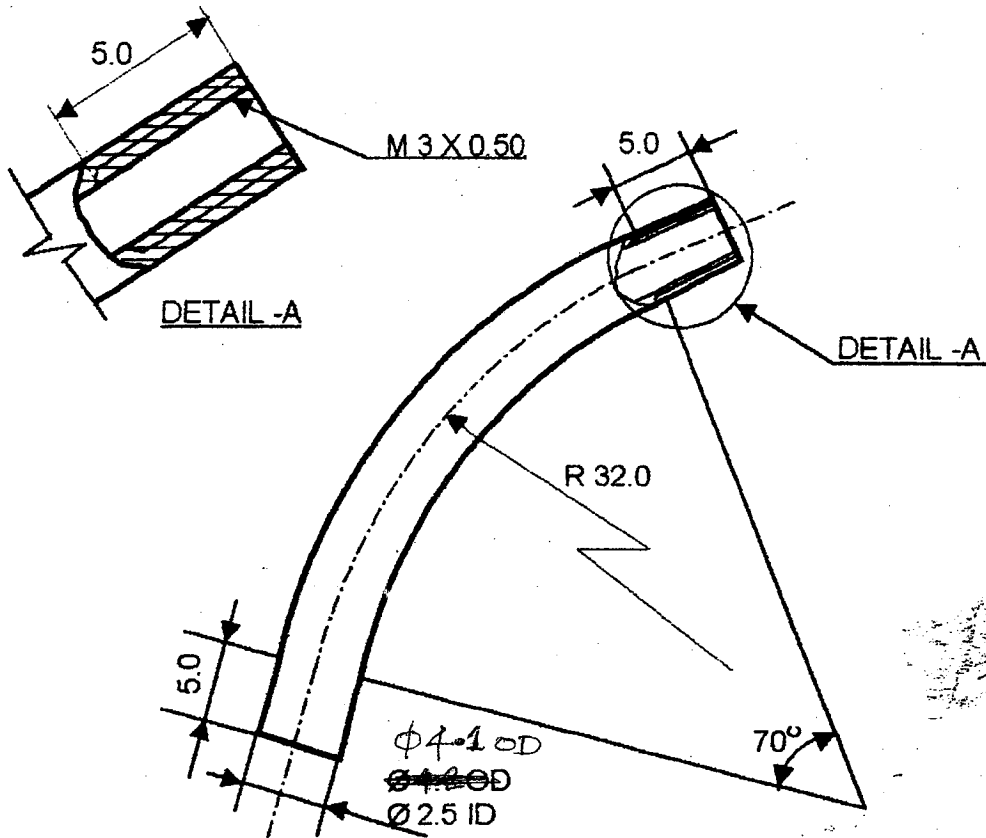
The offers should reach us 30 minutes before the time of opening of tenders.  
The offers will be opened at 14.30 hrs on the due date of tender in the presence of tenderers who have submitted their offer and who may like to be present for the tender opening. Late and delayed offers are liable to be rejected.

Yours faithfully,  
For BHARAT HEAVY ELECTRICALS LIMITED

*N. Shanmugasundaram*  
N. SHANMUGASUNDARAM  
Purchase Officer  
MM / MFG / Purchase / PSS  
GHEL, TRICHY - 620 014.  
MANAGER / PURCHASE  
(FOSSIL BOILERS)  
Yours faithfully,



BHARAT HEAVY ELECTRICALS LIMITED  
TIRUCHIRAPPALLI - 620 014



NOT TO SCALE  
ALL DIMENSIONS ARE IN MM  
MATERIAL : CARBON STEEL

**WIRE FEED NOZZLE**

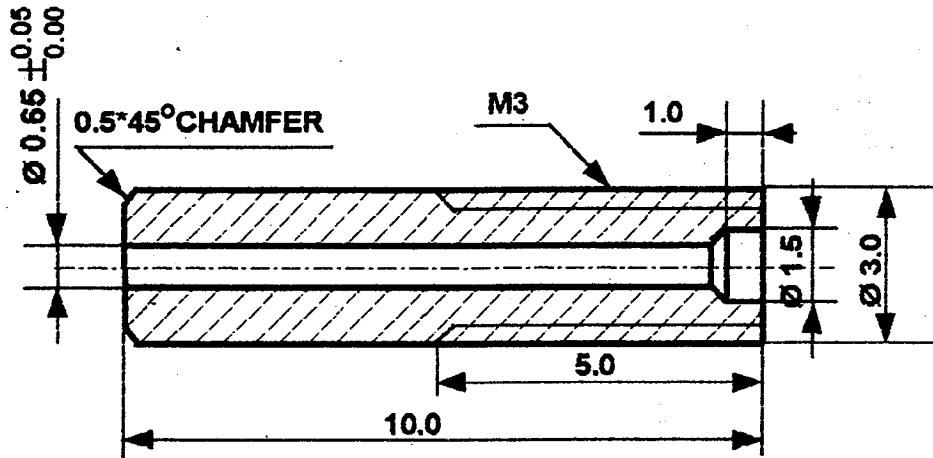
SKETCH NO : 4-NUC-166-0009

	NAME	SIGNATURE	DATE
DRAWN BY	MKS	<i>MKS</i>	01 03 01
CHECKED BY	TPH	<i>TPH</i>	01 03 01
APPROVED BY	I JAMES	<i>I James</i>	01 03 01



BHARAT HEAVY ELECTRICALS LIMITED  
TIRUCHIRAPPALLI 620 014  
NUCLEAR PRODUCTION - BUILD 77 (165)

11/28/00



NOT TO SCALE

ALL DIMENSIONS ARE IN MM

**WIRE FEED NOZZLE TIP**

**MATERIAL : DIE STEEL**

	NAME	SIGN	DATE
DRAWN BY	MKS	<i>[Signature]</i>	29 11 2000
CHECKED BY	TPH	<i>[Signature]</i>	29.11.2000
APPROVED BY	IJ	<i>[Signature]</i>	29.11.2000

SKETCH NO :4-NUC-166-0007

file 20

*[Signature]*

# BHARAT HEAVEY ELECTRICALS LIMITED

(A GOVT.OF INDIA UNDERTAKING)

## HIGH PRESSURE BOILER PLANT

TIRUCHIRAPPALLI-620 014

### TERMS AND CONDITIONS OF THE ENQUIRY (TWO PART BID)

1. The tender will be operated on two part bid basis i.e. (I). *Techno-Commercial Bid* & (II). *Price Bid*.

2. **Techno-Commercial Bid:** Containing Technical details, specifications, commercial terms and conditions like percentage of P&F charges, Freight & Insurance, ED WITH CESS, Taxes (BHEL will not provide "C" form for Non-Production Items), delivery terms, delivery schedule, validity of offer, payment terms (except price details), acceptance for LD clause, etc. as per ANNEXURE-A (submitted in your company letter head) shall be put in a cover (1) and super scribed as "Techno-Commercial Bid" for Enquiry No: .....Dt: .....Due Dt.: .....

3. **Price Bid:** Containing the price details shall be put in a separate cover (2) and superscribed as "Price Bid" for Enquiry No: .....Dt: .....Due Dt.: ..... as per ANNEXURE-B (submitted in your company letter head)

4. You are requested to put the above two envelopes (Techno-Commercial Bid & Price Bid) inside a separate larger sealed envelope and this envelope shall be super scribed as "Techno-Commercial Bid and Price Bid" for Enquiry No: .....Dt: .....Due Dt.: .....

Your Quotations should be sent to:

The Manager,  
Purchase Department / PSS,  
Materials Management / Raw Materials,  
24 Building (4<sup>th</sup> Floor),  
Bharat Heavy Electricals Limited,  
Tiruchirappalli - 620 014.

5. Tender should not be addressed to any individual's name but only by designation.

6. Tenders should be free from CORRECTION AND ERASURES. Corrections if any must be attested; all amounts shall be indicated both in words as well as in figures. Where there is difference between amount quoted in words and figures, amount quoted in words shall only be considered.

7. Please submit point wise compliance to our specifications, terms and conditions. **Otherwise it will be presumed that you are accepting BHEL's terms and conditions.**

8. Offer/s received after *due date* and time: 02:00 pm will not be considered under any circumstances.

9. **Validity of quoted rates should be maintained for 90 days from the date of Tender opening for ordering ( Technical Bid). The quoted/Finalized rates shall be Firm till completion of the supplies.**

10. The rates are to be quoted on F.O.R. destination basis (Inclusive of Packing, Forwarding, and Freight and Transit Insurance charges to supplier account). **All the items should be supplied at our stores, BHEL / TRICHY-14 at your own cost. Offers with any other delivery conditions will be rejected.**

**IMPORTANT NOTE:** (I) *Delivery condition like Ex-works / Ex-godown / Transportation of materials through transport carriers from your works up to the transport carrier's office at Tiruchy and taking delivery of goods by BHEL from such office of transport carriers is not acceptable to us)*

11. Unloading at BHEL Site has to be done by the suppliers and BHEL will not be in a position to provide any handling/unloading facilities.

12. **Payment Terms (Indigenous)**

Payment term is 100% direct payment after 45 days from the date of receipt and acceptance of materials.

Any deviation in the above payment term will attract loading as mentioned below.

"Base rate of SBI (as applicable on the date of bid opening. Techno-commercial bid opening in case of two part bids) + 6% shall be considered for loading for the period of relaxation sought by bidders.

N. SHANMUGASUNDARAM  
Purchase Officer  
MM / MFG / Purchase / PSS  
BHEL, TRICHY - 620 014.

### 13. Liquidated Damages / Penalty:-

Liquidated damages shall be 0.5% of the total order value per week or part thereof subject to a maximum of 10% of the total order value.

**Any deviation from the above LD clause, loading will be applied to the extent to which it is not agreed by the bidder (at offered value).**

14. If Guarantee / Warranty period is applicable as per tender specification, No deviation permitted and deviated offers are liable for rejection.

**15. IMPORTANT NOTE: BHEL WILL CONSIDER THE RANKING AFTER THE LOADING IS APPLIED AS REFERRED ABOVE WHEREVER DEVIATIONS ARE OBSERVED.**

16. No revision of prices will be entertained at any circumstances after tenders are opened.

17. If any sales tax is payable as extra to the quoted price it should be specifically stated in quotations along with CST & VAT Number failing which the purchaser will not be liable for payment of sales tax. Our TIN 33243560005 dt.01.01.2007 & CST no 239383 DT, 11.06.1991

18. On the due date of tender opening, only the technical bids will be opened. Technical bids will be evaluated by us and clarifications required, if any, will be called for from the bidders on technical and commercial points. The price bids of techno-commercially suitable bidders will be opened at a later date with prior intimation to respective suitable bidders.

19. Ranking L-1, L-2 etc. shall be done generally on each individual items for the techno-commercially acceptable offers on landed cost to BHEL, Trichy basis and BHEL reserves the right to place order for individual items with different vendors. At special circumstance ranking shall be done on compatible basis which will be indicated through Enquiry special instruction General Notes.

20. BHEL reserves the right to increase or decrease the tender quantity and split up the tender quantity among more than one vendor at the lowest acceptable price to BHEL and place order accordingly in any proportion at our own discretion.

21. Lowest price received against BHEL tenders need not be the technically acceptable one and in that case BHEL reserves the right not to consider the same. The purchaser shall be under no obligation to accept the lowest or any other tender and shall be entitled to accept or reject any tender in part or full without assigning any reason whatsoever.

22. BHEL reserves the right to negotiate or refloat the tender opened, if L1 price is not the lowest acceptable price to BHEL due to inter-alia other reasons.

**23. PACKING AND MARKING:** The supplier shall arrange for securely protecting and packing the stores to avoid loss or damages during transit.

**24. RISK PURCHASE:** Alternatively the purchaser at his option will be entitled to terminate the contract and to purchase elsewhere at the risk and cost of the seller either the whole of the goods or any part which the previous supplier has failed to deliver or dispatch within the time stipulated as aforesaid or if the same were not available, the best and the nearest available substitutes therefore. The new supplier shall be liable for any loss, which the purchaser may sustain by reason of such risk purchases in addition to penalty at the rate mentioned in our LD clause.

25. The Tender Due date falling on public holiday due to any circumstances, the tender will be opened on next working day.

**26. PREFERENTIAL DELIVERY:**(Applicable in the case of BHEL's Enquiry specifies Preferential Delivery in the Special Instructions) It should be noted if a contract is placed on a higher tendered as a result of this invitation to tender in preference to the lowest acceptable offer in consideration of the earlier delivery, the seller will be liable to pay to the purchaser the difference between the contract rate and that of the lowest acceptable tender on the basis of final price F.O.R destination, including all elements of freights, Sales tax, duties and other incidents, incidental in case of failure to complete supplies in terms of such contract within the date of delivery specified in the tender and incorporated in the contract, such difference amount in addition to penalty at the rate mentioned in our LD clause.

**27. CENVAT CREDIT:** If any Excise Duty is payable, the Chapter Head / Sub -head reference and the rate of the duty should be quoted. If the Tenderer is availing CENVAT credit for this input material, the effect of Performa credit should be passed on to the purchaser. Tenderer under "CENVAT" shall be preferred.

**28.** Any other conditions which might have been quoted by the seller and are in contravention to the terms prescribed in the order and which have not been specifically accepted by purchaser in written will not be applicable to the contract.

**29. VENDORS CURRENTLY NOT REGISTER WITH BHEL TRICHY & WISH TO PARTICIPATE TO IN THIS ENQUIRY SHOULD FURNISH THE FOLLOWING DOCUMENTRY PROOF / INFORMATION ALONG WITH OFFER, OTHERWISE YOUR OFFER WILL NOT BE CONSIDERED FOR EVALUATION.**

- a) Copy of Registration certificate
- b) Banker's Information with copy of Bank Pass Book first Page.
- c) Complete postal address with Pin Code.
- d) Contact Person /s , Phone No, Mobile No, FAX No, Email ID etc.
- e) Copy of statutory documents – VAT / TIN / EXICISE REGISTRATION / SERVICE TAX REGISTRATION / CST REGISTRATION etc
- f) ISO certificate ( if applicable)
- g) Copy Purchase Order & Experience certification as proof of supply of similar item to any Govt. Agencies / PSU / Organizations.
- h) Balance Sheet for last three financial years along with audit report is to be submitted.
- i) Partnership Deed if applicable.

**30.** For verification of data submitted towards evaluation of bidder's capability, BHEL may decide to visit the bidder(s) works. Any fact found deviating from submitted data shall make the bidder liable to be disqualified.

**31.** In the event of more than one vendor becoming L1 for any of the item / items, the enquiry quantity for those item / items will be shared equally among all the L1 vendors.

**32.** The correspondence between the bidder and BHEL through email is considered as valid document Legally though not signed. It is treated as valid confirmations made on behalf of the respective company and comes under the legal ambit of the business transaction and hence binding on both the parties.

**33.** Any corrigendum related to the enquiry will be hosted in the BHEL website only, Bidders should visit the website(s) to keep themselves updated.

**34.** The Enquiry Number and Due Date which is super scribed on the outer cover of "Techno-Commercial Bid and Price Bid" should be same as per our enquiry number and due date, otherwise BHEL will not be considered that offer for opening and further process.

**35.** Delivery goods/ items should be securely and suitably packed to avoid transit damages.



**N. SHANMUGASUNDARAM**  
Purchase Officer  
MM / MFG / Purchase / PSS  
BHEL, TRICHY - 620 014.

**ANNEXURE –A****KINDLY SPECIFY ALL ENQ SL NOS AS PER BHEL ENQUIRY. (SUBMITTED IN COVER NO: 1)**

ENQ SL NO	BHEL SPECIFICATIONS	YOUR SPECIFICATION	WHETHER QUOTED/ NOT QUOTED
10			

**COMMERCIAL TERMS CONFIRMATION REQUIRED FROM THE SUPPLIERS (SUBMITTED IN COVER NO: 1)**

SL NO	DESCRIPTION	BHEL REQUIREMENTS	SUPPLIER CONFIRMATION
1	VALIDITY	90 Days from Date of tender opening	Should be accepted by Vendor
2	DELIVERY REQUIREMENTS	FOR-DESTINATION BHEL STORES TRICHY -620014	Should be accepted by Vendor
3	PACKING & FORWARDING (Whether inclusive or extra) Clearly mention the percentage or amount.	SUPPLIER OPTION	INCLUDED / EXTRA INCASE OF EXTRA MENTION THE PERCENTAGE _____ OR AMONT _____
4	EXCISE DUTY WITH CESS (Whether inclusive (or) extra) Clearly mention the percentage (or) amount	SUPPLIER OPTIDN	INCLUDED / EXTRA INCASE OF EXTRA MENTION THE PERCENTAGE _____
5	VAT / CST Clearly mention the percentage.	SUPPLIER OPTION	INCLUDED / EXTRA INCASE OF EXTRA MENTION THE PERCENTAGE _____
6	FREIGHT (Whether inclusive or extra) Clearly mention the percentage or amount.	SUPPLIER OPTION	INCLUDED / EXTRA INCASE OF EXTRA MENTION THE PERCENTAGE _____ OR AMONT _____
7	SERVICE TAX IF ANY FOR FREIGHT ELEMENT ONLY	SUPPLIER TO QUOTE	NOT APPLICABLE/INCLUDED / EXTRA INCASE OF EXTRA MENTION THE PERCENTAGE _____
8	Service Tax if any for Erection and commissioning	SUPPLIER TO QUOTE	NOT APPLICABLE/INCLUDED / EXTRA INCASE OF EXTRA MENTION THE PERCENTAGE _____
9	DEIVERY SCHEDULE	AS PER TENDER SCHEDULE	
10	PAYMENT TERMS	As per Clause 12 of Terms and Conditions of the Enquiry (Two Part Bid)	
11	LD CLAUSE	As per Clause 13 of Terms and Conditions of the Enquiry (Two Part Bid)	
12	CONTACT PERSON DETAILS	NAME: MOBILE NO: EMAIL :	
13	GUARANTEE / WARRANTY	REQUIRED/ NOT REQUIRED	
14	PERFORMANCE BANK GURANTEE	REQUIRED / NOT REQUIRED	

**Vendors Seal & Signature**


**N. SHANMUGASUNDARAM**  
Purchase Officer  
MM / MFG / Purchase / PSS  
BHEL, TRICHY - 620 014

**ANNEXURE –B**

**PRICE BID FORMAT OF ALL QUOTED ITEMS, IF ANY ITEM YOUR ARE NOT QUOTED SIMPLY YOU SHOULD MENTION AS "NOT QUOTED" AGAINST THAT ENQ SL NO. (SUBMITTED IN SEPARATE COVER NO: 2)**

ENQ SL NO	BHEL SPECIFICATIONS	YOUR SPECIFICATION	SUPPLIER SHOULD BE QUOTOED EX-WORK BASIC PRICE ONLY IN RS ( ALL OTHER TERMS ARE ALREADY QUOTED IN ANNEXURE –A)
10			

**Vendors Seal & Signature**



**N. SHANMUGASUNDARAM**  
Purchase Officer  
MM / MFG / Purchase / PSS  
BHEL, TRICHY - 620 014.