



BHARAT HEAVY ELECTRICALS LIMITED

(A Government of India Undertaking)
HIGH PRESSURE BOILER PLANT
PURCHASE DEPARTMENT - FOSSIL BOILERS
THIRUCHIRAPALLI - 620014
TAMILNADU (INDIA)

PHONE :2577419
GRAMS : BHARATELEC
FAX NO: 2520719
E-mail: cmuthuvel@bheltry.co.in
Web:

429-002/A

	Enquiry No 2001600103	Enquiry Date 03.03.2016	Due Date for Quotation 26.03.2016
<p>Please quote Enquiry No, Date and due date in all correspondences. This is only a request for quotation and not an order. <i>Bid should be submitted in two parts. 1.Techno-commercial bid (Part-I) and 2.Price bid(Part-II) in a separate sealed cover and both covers must be placed in a third cover and sealed. Our Enquiry No., Enq. date & Enq. Due date must be written on all three covers.</i></p>			

Item	Description	Unit	Quantity	Delivery Quantity	Schedule Date
10	570020070000 SPECIFICATION FOR PLASTIC FACE SHIELD Material Code 57 002 007 1.It shall be Helmet type covering Forehead and neck to protect the wearer from the splashing of chemicals and other flying particles. 2.It shall be provided with clear transparent acrylic sheet of 2.5 mm thickness fixed in between grooved type fore head and bottom shield with rivets. 3.It shall have the arrangement allowing the shield to be lowered or raised easily. 4.It shall be provided with thick quality Head band adjustable (ratchet arrangement) type made out of either Fiber or Plastic, sponge shall be provided at the front and covered with rexine. 5.It shall be provided with adjustable nut,spring attachment for easy positioning. 6.The construction shall be as per drawing TLC : PPE : D : 403 7.Sample is required for our evaluation along with offer. 8. Supply should be as per accepted sample.	NO	1400.000	1,400.00	08.04.16

General Note:


TERMS AND CONDITIONS ENCLOSED

All the tenders may be addressed to the following address:

**The Tender Opening Cell / MM
Room No: 26, Building 24, Ground Floor
Bharat Heavy Electricals Limited
TIRUCHIRAPALLI 620014**

In case personal delivery of the offer, it shall be dropped into the respective box kept in Room No: 26, after duly entering the data in the system.

Offers will be accepted only up to 14.00 Hrs on the due date. Therefore, vendors shall ensure to submit

<p>The offers should reach us 30 minutes before the time of opening of tenders. The offers will be opened at 14.30 hrs on the due date of tender in the presence of tenderers who have submitted their offer and who may like to be present for the tender opening.Late and delayed offers are liable to be rejected.</p>	<p style="text-align: right;">Yours faithfully, For BHARAT HEAVY ELECTRICALS LIMITED</p> <p style="text-align: center;"> MANAGER / PURCHASE (FOSSIL BOILERS) Yours faithfully,</p>
<p>SHANMUGASUNDARAM Purchase Officer / PSS Materials Management (MFG) Bharat Heavy Electricals Ltd., Tiruchirappalli - 620 014.</p>	



BHARAT HEAVY ELECTRICALS LIMITED

(A Government of India Undertaking)
HIGH PRESSURE BOILER PLANT
PURCHASE DEPARTMENT - FOSSIL BOILERS
THIRUCHIRAPALLI - 620014
TAMILNADU (INDIA)

Page
2/2
PHONE :2577419
GRAMS : BHARATELEC
FAX NO: 2520719
E-mail: cmuthuvel@bheltry.co.in
Web:

2001600103 / 03.03.2016

23505

the offers well before this time. All due date extension requirements should be addressed to the respective Purchase mail IDs. All the due date extension requests from vendors will be considered only up to 48 hours before the due date and time.

Vendors are requested to avoid submission of offers through e mail / fax. In case of any unavoidable situation, offers shall be sent through e mail to the following mail ID only tender_cell@bheltry.co.in.

As tenders are being opened by Common Tender Opening Cell, offer covers should be sealed with tenderer's distinctive seal and super scribed with correct Tender No. item of supply and due date of opening.

The offers will be opened at 14.30 hrs on the due date of the tender in the presence of tenderers who have submitted their offer and who may like to be present for the tender opening. Late and delayed offers are liable to be rejected.

The bidder along with its associate/ collaborators/ sub-contractors/ sub-vendors/ consultants/ service providers shall strictly adhere to BHEL fraud prevention policy displayed on BHEL website <http://www.bhel.com> and shall immediately bring to the notice of BHEL management about any fraud or suspected fraud as soon as it comes to their notice.


Enclosures:

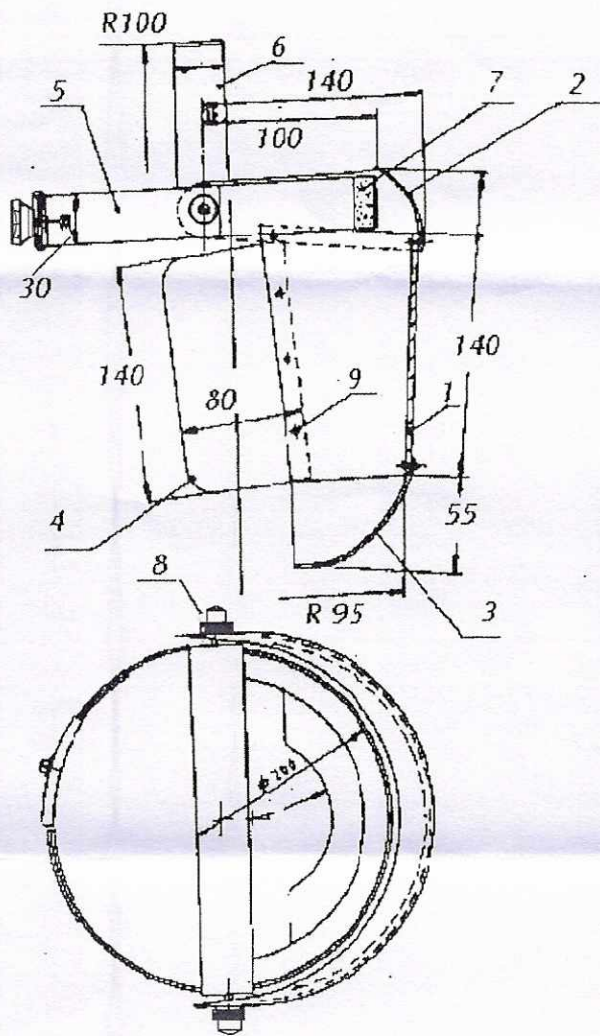
"LD clause has to be confirmed without fail."

The offers should reach us 30 minutes before the time of opening of tenders. The offers will be opened at 14.30 hrs on the due date of tender in the presence of tenderers who have submitted their offer and who may like to be present for the tender opening. Late and delayed offers are liable to be rejected.

N. SHANMUGASUNDARAM
Purchase Officer / PSB
Materials Management (MFG)
Bharat Heavy Electricals Ltd.,
Tiruchirappalli - 620 014.

Yours faithfully,
For BHARAT HEAVY ELECTRICALS LIMITED


J. MANAGER / PURCHASE
(FOSSIL BOILERS)
Yours faithfully,



1. ACRYLIC FACE PLATE
2. FORE HEAD SHIELD - PLASTIC
3. BOTTOM SHIELD - PLASTIC
4. SIDE SHIELD - PLASTIC
5. ADJUSTABLE HEADBAND
6. HEAD SEAT
7. FORE HEAD SEAT - FOAM
8. SCREW WITH ADJUSTABLE NUT
9. ALUMINIUM RIVETS



SAFTY MANAGEMENT DEPT.

Bharat Heavy Electricals Ltd.,
TIRUCHIRAPPALLI - 620 014

ALL DIMENSIONS IN MM
FIG. NOT TO SCALE

PLASTIC FACE SHIELD

MTL.CODE NO.

57 002 007

DRG. NO.

TLC : PPE : D : 403

REV.

00

S. S. e
S. SUNDARAMOORTHY
Sr. Manager
Safety Management
BHEL, TIRUCHY - 620 014.

N. SHANMUGASUNDARAM
Purchase Officer / PSS
Materials Management (MFG)
Bharat Heavy Electricals Ltd.,
Tiruchirappalli - 620 014.

BHARAT HEAVEY ELECTRICALS LIMITED

(A GOVT.OF INDIA UNDERTAKING)

HIGH PRESSURE BOILER PLANT

TIRUCHIRAPPALLI-620 014

TERMS AND CONDITIONS OF THE ENQUIRY (TWO PART BID)

1. The tender will be operated on two part bid basis i.e. (I).Techno-Commercial Bid & (II).Price Bid. Sample should be submitted along with Techno-Commercial Bid where sample is insisted in the Enquiry, if sample is not received for the Enquiry where BHEL is insisted, that offer will be summarily rejected. If sample is insisted in the enquiry, then the sample should be super scribed with the enquiry sl. no for identification and evaluation. Samples without the identification will not be considered and offer will be rejected

2. Techno-Commercial Bid: Containing Technical details, specifications, commercial terms and conditions like ED WITH CESS, Taxes (BHEL will not provide "C" form for Non-Production Items), delivery terms, delivery schedule, validity of offer, payment terms (except price details), acceptance for LD clause, etc. as per ANNEXURE-A(submitted in your company letter head) shall be put in a cover (1) and super scribed as "Techno-Commercial Bid" for Enquiry No:Dt.:Due Dt.:

3. Price Bid: Containing the price details shall be put in a separate cover (2) and superscribed as "Price Bid "for Enquiry No:Dt.:Due Dt.: as per ANNEXURE -B (submitted in your company letter head)

4. You are requested to put the above two envelopes (Techno-Commercial Bid & Price Bid) inside a separate larger sealed envelope and this envelope shall be super scribed as "Techno-Commercial Bid and Price Bid" for Enquiry No:Dt.:Due Dt.:

Your Quotations should be sent to:

*Tender opening cell/ MM,
Room No.26,
24 Building (Ground Floor),
Bharat Heavy Electricals Limited,
Tiruchirappalli - 620 014.*

5. Tender should not be addressed to any individual's name but only by designation.

6. Tenders should be free from CORRECTION AND ERASURES. Corrections if any must be attested; all amounts shall be indicated both in words as well as in figures. Where there is difference between amount quoted in words and figures, amount quoted in words shall only be considered.

7. Please submit point wise compliance to our specifications, terms and conditions. Otherwise it will be presumed that you are accepting BHEL's terms and conditions.

8. Offer/s received after due date and time: 02:00 pm will not be considered under any circumstances.

9. Validity of quoted rates should be maintained for 90 days from the date of Tender opening for ordering (Technical Bid). The quoted/Finalized rates shall be Firm till completion of the supplies.

10. The rates are to be quoted on F.O.R. destination basis (Inclusive of Packing, Forwarding, and Freight and Transit Insurance charges to supplier account). All the items should be supplied at our stores, BHEL / TRICHY-14 at your own cost. Offers with any other delivery conditions will be rejected.

IMPORTANT NOTE: (I) Delivery condition like Ex-works / Ex-godown / Transportation of materials through transport carriers from your works up to the transport carrier's office at Tiruchy and taking delivery of goods by BHEL from such office of transport carriers is not acceptable to us)

11. Unloading at BHEL Site has to be done by the suppliers and BHEL will not be in a position to provide any handling/ unloading facilities.

12. Payment Terms (Indigenous)

Payment term is 100% direct payment after 45 days from the date of receipt and acceptance of materials.

NOTE: 100% payment against dispatch document through bank / 90% payment against through document through bank + 10% payment after acceptance of materials / Cheque payment / payment against proforma invoice / advance payment / current cheque or post-dated cheque along with purchase order will not be accepted and those offers will not be considered.

13. Liquidated Damages / Penalty:-

Liquidated damages shall be 0.5% of the total order value per week or part thereof subject to a maximum of 10% of the total order value.

Any deviation from the above LD clause, loading will be applied to the extent to which it is not agreed by the bidder (at offered value).

14. If Guarantee / Warranty period is applicable as per tender specification, No deviation permitted and deviated offers are liable for rejection.

15. IMPORTANT NOTE: BHEL WILL CONSIDER THE RANKING AFTER THE LOADING IS APPLIED AS REFERRED ABOVE WHEREVER DEVIATIONS ARE OBSERVED.

16. No revision of prices will be entertained at any circumstances after tenders are opened.

17. If any sales tax is payable as extra to the quoted price it should be specifically stated in quotations along with CST & VAT Number failing which the purchaser will not be liable for payment of sales tax. Our TIN 33243560005 dt.01.01.2007 & CST no 239383 DT, 11.06.1991

18. On the due date of tender opening, only the technical bids will be opened. Technical bids will be evaluated by us and clarifications required, if any, will be called for from the bidders on technical and commercial points. The price bids of techno-commercially suitable bidders will be opened at a later date with prior intimation to respective suitable bidders.

19. Ranking L-1, L-2 etc. shall be done generally on each individual items for the techno-commercially acceptable offers on landed cost to BHEL, Trichy basis and BHEL reserves the right to place order for individual items with different vendors. At special circumstance ranking shall be done on compatible basis which will be indicated through Enquiry special instruction General Notes.

20. BHEL reserves the right to increase or decrease the tender quantity and split up the tender quantity among more than one vendor at the lowest acceptable price to BHEL and place order accordingly in any proportion at our own discretion.

21. Lowest price received against BHEL tenders need not be the technically acceptable one and in that case BHEL reserves the right not to consider the same. The purchaser shall be under no obligation to accept the lowest or any other tender and shall be entitled to accept or reject any tender in part or full without assigning any reason whatsoever.

22. BHEL reserves the right to negotiate or refloat the tender opened, if L1 price is not the lowest acceptable price to BHEL due to inter-alia other reasons.

23. PACKING AND MARKING: The supplier shall arrange for securely protecting and packing the stores to avoid loss or damages during transit.

24. RISK PURCHASE: Alternatively the purchaser at his option will be entitled to terminate the contract and to purchase elsewhere at the risk and cost of the seller either the whole of the goods or any part which the previous supplier has failed to deliver or dispatch within the time stipulated as aforesaid or if the same were not available, the best and the nearest available substitutes therefore. The new supplier shall be liable for any loss, which the purchaser may sustain by reason of such risk purchases in addition to penalty at the rate mentioned in our LD clause.

25. The Tender Due date falling on public holiday due to any circumstances, the tender will be opened on next working day.

26. PREFERENTIAL DELIVERY:(Applicable in the case of BHEL's Enquiry specifies Preferential Delivery in the Special Instructions) It should be noted if a contract is placed on a higher tendered as a result of this invitation to tender in preference to the lowest acceptable offer in consideration of the earlier delivery, the seller will be liable to pay to the purchaser the difference between the contract rate and that of the lowest acceptable tender on the basis of final price F.O.R destination, including all elements of freights, Sales tax, duties and other incidents, incidental in case of failure to complete supplies in terms of such contract within the date of delivery specified in the tender and incorporated in the contract, such difference amount in addition to penalty at the rate mentioned in our LD clause.

27. CENVAT CREDIT: If any Excise Duty is payable, the Chapter Head / Sub -head reference and the rate of the duty should be quoted. If the Tenderer is availing CENVAT credit for this input material, the effect of Performa credit should be passed on to the purchaser. Tenderer under "CENVAT" shall be preferred.

28. Any other conditions which might have been quoted by the seller and are in contravention to the terms prescribed in the order and which have not been specifically accepted by purchaser in written will not be applicable to the contract.

29. VENDORS CURRENTLY NOT REGISTER WITH BHEL TRICHY & WISH TO PARTICIPATE TO IN THIS ENQUIRY SHOULD FURNISH THE FOLLOWING DOCUMENTRY PROOF / INFORMATION ALONG WITH OFFER, OTHERWISE YOUR OFFER WILL NOT BE CONSIDERED FOR EVALUATION.

- a) Copy of Registration certificate
- b) Banker's Information with copy of Bank Pass Book first Page.
- c) Complete postal address with Pin Code.
- d) Contact Person /s , Phone No, Mobile No, FAX No, Email ID etc.
- e) Copy of statutory documents – VAT / TIN / EXICISE REGISTRATION / SERVICE TAX REGISTRATION / CST REGISTRATION etc
- f) ISO certificate (if applicable)
- g) Copy Purchase Order & Experience certification as proof of supply of similar item to any Govt. Agencies / PSU / Organizations.
- h) Balance Sheet for last three financial years along with audit report is to be submitted.
- i) Partnership Deed if applicable.

30 Special Provisions for Micro and Small Enterprises (MSE) bidders registered as per MSME act:

i) 20% of the tendered quantity is earmarked for MSE suppliers in this tender. If L1 offer is from a Micro / Small enterprise, this provision is not applicable.

ii) Out of the 20% tendered quantity reserved for MSE suppliers, 4% shall be earmarked for procurement from MSE owned by SC/ST entrepreneurs. In event of failure of such Micro and Small enterprises to participate in the tender process or meet the tender requirements and the L1 price, the 4% sub-target for procurement earmarked MSE owned by SC / ST entrepreneurs shall be met with other MSE enterprise/s.

iii) In case MSE vendor participating in the tender quotes within the price band of L1 + 15%, they will be allowed to supply the portion of the requirement subject to acceptance of L1 price by MSE vendor. In case of more than one such MSE, the supply shall be shared proportionately.

iv) MSE suppliers can avail the intended benefits only if they submit along with offer, attested copies of either EM II certificate having deemed validity (Five years from the date of issue of acknowledgement in EM II)

v) Valid NSIC certificate or EM II certificate along with CA certificate (Format enclosed as per **Annexure I**) applicable for the year, certifying quantum of investment in plant and machinery within the permissible limit as per the act for relevant status (Micro or small) where the deemed validity of EM II is over.

vi) Date to be reckoned for determining the deemed validity will be the last date of technical bid submission. Non submission of such documents will lead to consideration of their bids at par with other bidders and MSE status of such suppliers shall be shifted to Non MSE supplier till the supplier submits these documents. This provision for MSE will apply subject to the condition that the participating MSE meets the tender requirements.

vii) In case of any change in the MSE status of the bidder, it shall be the responsibility of the bidder to notify the change as a part of the bid document. If at a later date it comes to the knowledge of BHEL, that the change in the status has not been intimated by the bidder and the order is obtained under the premise of an MSE then BHEL would cancel the pending order against this tender and take necessary steps for suspension of the business dealing with the bidder as per the procurement policy of BHEL.

viii) In case after the bid opening it is seen that no MSE has become L1, then depending on the nature of the item, if it is not possible to split the tendered items / quantities on account of reasons like customer contract requirements of supplying one make for a given project or technical reasons like tendered items being a system etc., then BHEL would not counter offer the L1 prices even though there may be MSE bidders within the +15% band of L1.

31. For verification of data submitted towards evaluation of bidder's capability, BHEL may decide to visit the bidder(s) works. Any fact found deviating from submitted data shall make the bidder liable to be disqualified.

32. In the event of more than one vendor becoming L1 for any of the item / items, the enquiry quantity for those item / items will be shared equally among all the L1 vendors.

33. The correspondence between the bidder and BHEL through email is considered as valid document Legally though not signed. It is treated as valid confirmations made on behalf of the respective company and comes under the legal ambit of the business transaction and hence binding on both the parties.

34. Any corrigendum related to the enquiry will be hosted in the BHEL website only, Bidders should visit the website(s) to keep themselves updated.

35. The Enquiry Number and Due Date which is super scribed on the outer cover of "Techno-Commercial Bid and Price Bid" should be same as per our enquiry number and due date, otherwise BHEL will not be considered that offer for opening and further process.

36. Delivery goods/ items should be securely and suitably packed to avoid transit damages.

37. Documents submitted with the offer shall be signed and stamped in each page by authorized representative of the bidder.


M. MANJUNATHASUNDARAM
Purchasing Officer / PSS
Materials Management (MFG)
Bharat Heavy Electricals Ltd.,
Tiruchirappalli - 620 014.

Certificate by Chartered Accountant on letter head

This is to Certify that M/S
(hereinafter referred to as 'company') having its registered office at
..... is registered under MSMED Act 2006, (Entrepreneur
Memorandum No (Part-II) dtd:.....
Category: (Micro/Small). (Copy enclosed).

Further verified from the Books of Accounts that the investment of the company as per the
latest audited financial year as per MSMED Act 2006 is as follows:

1. **For Manufacturing Enterprises:** Investment in plant and machinery (i.e. original cost
excluding land and building and the items specified by the Ministry of Small Scale Industries vide its
notification No.S.O.1722(E) dated October 5, 2006 :
Rs.....Lacs
2. **For Service Enterprises:** Investment in equipment (original cost excluding land and building and
furniture, fittings and other items not directly related to the service rendered or as may be notified under the MSMED
Act, 2006:
Rs.....Lacs

(Strike off whichever is not applicable)

The above investment of Rs.....Lacs is within permissible limit of
Rs.....Lacs forMicro / Small (Strike off which is not applicable)
Category under MSMED Act 2006.

Or

The company has been graduated from its original category (Micro/ Small) (Strike off which is not
applicable) and the date of graduation of such enterprise from its original category is
(dd/mm/yyyy) which is within the period of 3 years from the date of graduation of such
enterprise from its original category as notified vide S.O. No. 3322(E) dated 01.11.2013 published
in the gazette notification dated 04.11.2013 by Ministry of MSME.

Date:

(Signature)

Name -

Membership number -

Seal of Chartered Accountant



SHANMUGASUNDARAM
Purchase Officer / PSS
Materials Management (MFG)
Bharat Heavy Electricals Ltd.
Tiruchirappalli - 620 014

38. COMMERCIAL TERMS CONFIRMATION REQUIRED FROM THE SUPPLIER (TO BE SUBMITTED IN COVER NO: 1). The techno- commercial terms both in the offer and our enclosed format (clause 38) should be same and if any deviation/s in between the offers and enclosed format (clause 38) is found, the commercial terms as per our enclosed format will only be considered.

ANNEXURE -A

KINDLY SPECIFY ALL ENQ SL NOS AS PER BHEL ENQUIRY. (SUBMITTED IN COVER NO: 1)

COMMERCIAL TERMS CONFIRMATION REQUIRED FROM THE SUPPLIERS (SUBMITTED IN COVER NO: 1)

SL NO	DESCRIPTION	BHEL REQUIREMENTS	SUPPLIER CONFIRMATION
1	VALIDITY	90 Days from Date of technical bid opening	Should be accepted by Vendor
2	PRICE QUOTED SHOULD BE INCLUSIVE OF PACKING & FORWARDING ,FRIGHT & INSURANCE	FOR-DESTINATION BHEL STORES TRICHY -620014	Should be accepted by Vendor
3	EXCISE DUTY WITH CESS (Whether inclusive (or) extra) Clearly mention the percentage	SUPPLIER OPTION	INCLUDED / EXTRA INCASE OF EXTRA MENTION THE PERCENTAGE_____
4	VAT	SUPPLIER OPTION	INCLUDED / EXTRA INCASE OF EXTRA MENTION THE PERCENTAGE_____
5	CST WITH FORM 'C'	SUPPLIER OPTION	INCLUDED / EXTRA INCASE OF EXTRA MENTION THE PERCENTAGE_____
6	CST WITHOUT FORM 'C'	SUPPLIER OPTION	INCLUDED / EXTRA INCASE OF EXTRA MENTION THE PERCENTAGE_____
7	DEIVERY SCHEDULE	AS PER TENDER SCHEDULE	
8	PAYMENT TERMS	As per Clause 12 of Terms and Conditions of the Enquiry (Two Part Bid)	
9	LD CLAUSE	As per Clause 13 of Terms and Conditions of the Enquiry (Two Part Bid)	
10	CONTACT PERSON DETAILS	NAME: MOBILE NO: EMAIL :	TO BE FILLED BY VENDOR COMPULSORY
11	GUARANTEE / WARRANTY	REQUIRED/ NOT-REQUIRED	
12	TEST CERTIFICATE	REQUIRED/ NOT-REQUIRED	
13	SAMPLE	REQUIRED/ NOT-REQUIRED	
14	MSE CERTIFICATION	To be attached	ATTACHED / NOT ATTACHED

ENQ SL NO	BHEL SPECIFICATIONS	VENDOR SPECIFICATIONS	WHETHER QUOTED/ NOT QUOTED
10			

Vendors Seal & Signature


N. SHANMUGASUNDARAM
 Purchase Officer / PSS
 Materials Management (MFG)
 Bharat Heavy Electricals Ltd.,
 Tiruchirappalli - 620 014, 6

ENQ SL NO	BHEL SPECIFICATIONS	VENDOR SPECIFICATIONS	SUPPLIER SHOULD BE QUOTED F.O.R PRICE ONLY IN RS (ALL OTHER TERMS ARE ALREADY QUOTED IN ANNEXURE -A)
10			

ANNEXURE -B

PRICE BID FORMAT OF ALL QUOTED ITEMS, IF ANY ITEM YOUR ARE NOT QUOTED SIMPLY YOU SHOULD MENTION AS "NOT QUOTED" AGAINST THAT ENQ SL NO. (SUBMITTED IN SEPARATE COVER NO: 2)

Vendors Seal & Signature



R. SHANMUGASUNDARAM
Purchase Officer / PSS
Materials Management (MFG)
Bharat Heavy Electricals Ltd.,
Truchirappalli - 620 014.