



MATERIALS MANAGEMENT / RM  
CAPITAL PURCHASE/CP & SP  
BHEL TRICHY -620014

**Enquiry Corrigendum-1**

NIT – 20041

Enquiry No. 2661400677 dated 18.9.2014

Item Description: “Hylam rollers”

**Details of Corrigendum:**

Drawings added.

4M-06F-03-28911-01

4M-06F-03-28437

All other terms & conditions as published in the above NIT No. remain unaltered.

**NOTE:**

Confirmation of acceptance for BHEL Commercial terms & conditions & Price Bids formats have been posted in BHEL corporate website [www.bhel.com](http://www.bhel.com) or from the government tender website <http://tenders.gov.in> (public sector→Bharat Heavy Electricals Limited page) under Enquiry reference “2661400677”

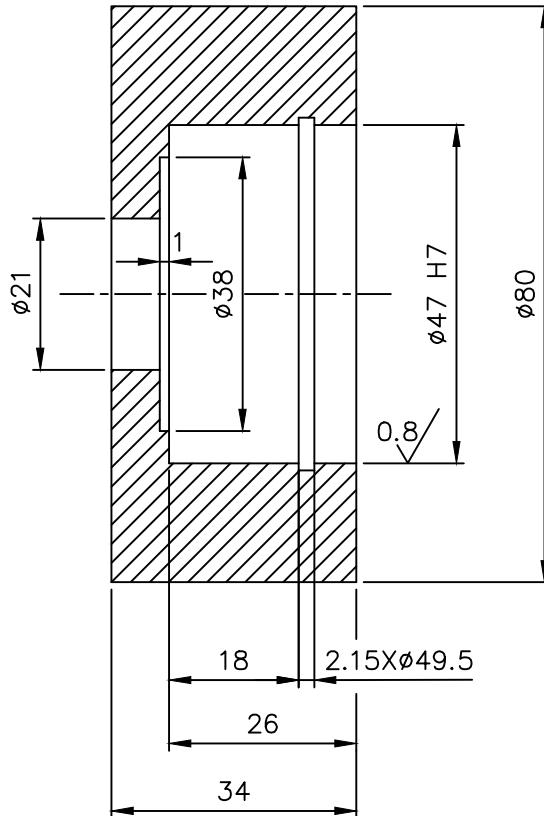
**FOR BHEL TRICHY:**

ASST.ENGINEER/CP&SP

**CAUTION:** THIS DRAWING IS OUR SOLE PROPERTY AND SHOULD NOT BE USED IN ANY FORM FOR ANY PURPOSE WITHOUT THE WRITTEN PERMISSION OF BHARAT HEAVY ELECTRICALS LIMITED TRICHIRAPPALLI - 620 014.

ALL DIMENSIONS ARE IN MM


ø47 H7	+0.025	3.2/0.8
	+0.000	



**NOTE: -**

ALL SHARP CORNERS TO BE REMOVED

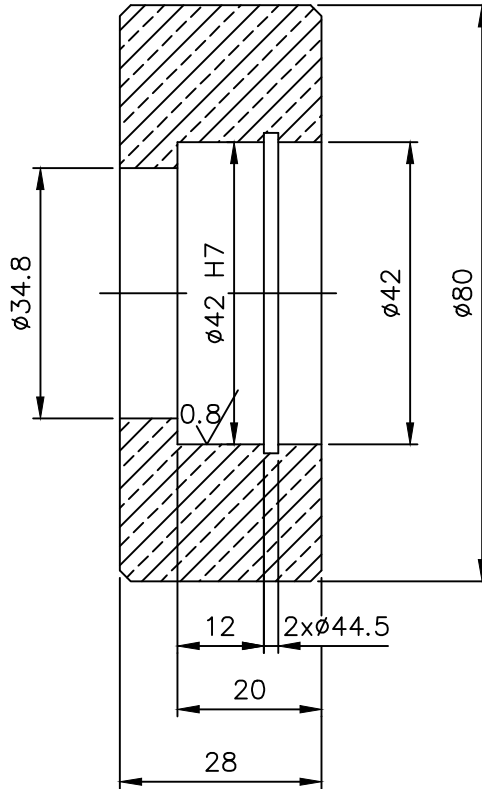
SHORE HARDNESS: D85

No. of Pieces		DESCRIPTION		MATERIAL		STANDARD		NET.WT.IN KGS.		DRAWING No.		ITEM No.
X		HYLAM										
REFERENCE:		ALTERATIONS:		DCN REF		DATE		SIGN.		INDEX		
SCALE		DRN		P.Albert ross								
1:1		CHD		R.Ramamoorthy								
		APPD		C.S.Jayasheelan								
		DATE		11.11.2009								
MACHINE: CENTRELESS CYLINDRICAL GRINDING		TYPE: GCL 100										
TITLE:		DRAWING No:										
 <b>ROLLER</b> ID.21xOD.80x34 t (JOB STEADY UNIT)		4M06F0328437		Sheet No:		No. of Sheets:						

THIS DRAWING IS OUR SOLE PROPERTY AND SHOULD NOT BE USED IN ANY FORM FOR ANY PURPOSE WITHOUT THE WRITTEN PERMISSION OF BHARAT HEAVY ELECTRICALS LIMITED TRICHIRAPPALLI - 620 014.


ALL DIMENSIONS ARE IN MM

ø42 H7	+0.025	3.2/0.8
	+0.000	



NOTE: -  
AVOID SHARP CORNERS  
SHORE HARDNESS: D85

01

No. of Pieces		DESCRIPTION		MATERIAL		STANDARD		NET.WT.IN KGS.		DRAWING No.		ITEM No.
X				HYLAM								
REFERENCE:		ALTERATIONS:		DCN REF		DATE		SIGN.		INDEX		
SCALE		DRN		P.Albert ross		MATERIAL WAS TUFLON		18.07.11'		CSJ		01
1:1		CHD		R.Ramamoorthy								
		APPD		C.S.Jayasheelan								
		DATE		07.05.2011								
MACHINE: CENTERLESS GRINDING						TYPE: CGL-150						
TITLE: ROLLER ø80x28t (ROLLER ASSY.)						DRAWING No:						
						4M06F032891101						
Sheet No:						No. of Sheets:						