



BHARAT HEAVY ELECTRICALS LIMITED
HEEP HARIDWAR INDIA-PIN 249403
FAX NO: 0091 1334 226462
PHONE NO: 0091 1334 281561

Enq. No.: **T/6410/2015/5621D/1**

Date of issue : 07.03.2016

M/S.....

Sub: BHEL-HEEP/OPEN-TENDER (COMPONENT)/2015

Dear Sir,

The Heavy Electricals Equipment Plant (HEEP) located in Haridwar, India is one of the major manufacturing plants of Bharat Heavy Electricals Ltd. The core business of HEEP includes design and manufacture of large steam and gas turbines, turbo generators and so on.

Sealed tenders with the Tender No. and opening date clearly super scribed on the cover are invited from the manufacturers (registered as well as unregistered) for the supply of the following items:-

Sl. No.	Tender No.	Description of Item	Qty (No)	Opening Date
1	T/6410/2015/5621D/1	HW7799924594 NR-10 UNIVERSAL MILLING HEAD OR EQUIVALENT FOR CNC HORIZONTAL BORING MACHINE RACEM-601 OF DFP SPECIFICATION: NR-10	1	11.04.2016
2		HW7799924586 NR-14 RIGHT ANGLE VERTICAL MILLING HEAD OR EQUIVALENT FOR CNC HORIZONTAL BORING MACHINE RACEM-601 OF DFP SPECIFICATION: NR-14	1	

The details with required delivery are given in **Annexure-1**.

The tender documents can be downloaded from our web site www.bhel.com or www.bhelhwr.co.in or www.tenders.gov.in; after downloading the tender documents from web site, while submitting tender as detailed in "Instruction to Bidders" intending vendors must submit **EMD of Rs.1, 50,000/- by demand draft or pay order only in favor of BHEL Haridwar against this tender. Tender fees shall be nil in this tender. If EMD and/or Tender fees are not submitted then offer may be out rightly rejected.** As per notification reference no. NSIC/HO/GP/15(4)/2013-14 dated 07.07.2013 Micro & Small Enterprises (MSEs) is not required to submit tender fees and/or EMDs. A certificate in Original (duly notarized/attested by Gazetted officer) issued from competent authority shall be submitted in support of Micro & Small Enterprises (MSEs). BHEL will not be responsible for any type of postal delay / incomplete information from vendor.

The date for opening of tender shall be 11.04.2016. Tenders will be received in tender box kept at Main ADM building, HEEP – BHEL Ranipur, Haridwar – 249403, Uttarakhand (INDIA) up to **1.45 P.M. on 11.04.2016** and opened on the same day at **2.00 P.M.** in the Tender Room. **Please note that tender received after due time & date (1.45PM on 11.04.2016) will not be REPEAT will not be opened.** BHEL will not be responsible for any type of delay due to postal / courier etc. and it shall be the responsibility of vendor to submit offer in time in tender box.

Complete Technical Specifications & Drawing cum scope of supply of the above items are available on our above mentioned website. Other cross referred Amendments/Corrigendum, if any, will be hosted on our web site only. Other terms and conditions will be as per tender documents.

Request for extension in tender opening date shall only be considered against proof of tender fees/EMD submission in genuine cases only.

The total quantity may undergo change at the time of ordering.

Any vendor who is under suspension at the time of price bid opening, their price bid shall not be opened. The bids of the bidder who are on the banned list and also the bids of the bidders, who engage the services of banned firms shall be rejected. The list of firms banned by BHE is available on BHEL website www.bhel.com.

Please submit your Techno-Commercial offer only for the above requirement subject to our terms and conditions.

BIDS shall be opened at **2 PM** on the due date in the presence of authorized representative of the bidders who may like to be present. The authorized representative should bring authority letter from their parent company (Manufacturer) for the specific tender no. attending the bid opening.

BHEL will forfeit the EMD if, the successful bidder / vendor refuses to honor the order after award of the same on him and / or withdraws his bid and / or unilaterally changes the offer and / or any of its terms & conditions within the validity period.

KINDLY READ “INSTRUCTIONS TO BIDDERS.” QUOTATION NOT IN ACCORDANCE WITH THE INSTRUCTIONS ARE LIABLE TO BE DISQUALIFIED AND IGNORED.

INSTRUCTIONS TO BIDDERS FOR OPEN TENDER

1.0 DEFINITION

Registered Vendors - Are those who are registered with BHEL, Haridwar for Megawatt rating/ Size/ Weight of tendered components in respective steel grade or machining of such components.

Un-registered Vendors - Are those who are not registered with BHEL, Haridwar for Megawatt rating/ Size/ Weight of tendered components in respective steel grade or machining of such components.

2.0 TECHNICAL QUALIFICATION

- Enclosed format – Annexure-2 to be submitted. It is the mandatory requirement. **Offer of Vendors not meeting these requirements may not be considered.**

3.0 ESSENTIAL INSTRUCTIONS

1. All un-registered vendors shall be approved by BHEL, if found suitable, on the basis of data furnished by them in Supplier Registration Form (SRF) Foreign Vendors or Indigenous Vendors. Vendor (s) shall not be considered for ordering if not approved by BHEL. All un-registered bidder shall submit inter alia duly filled-in supplier registration form (SRF) along with bid. Bidders can download SRF from www.bhel.com.
2. BHEL team may visit the vendor (s) works for verification of capability and capacity claimed in tender documents/offer (s).
3. The tenders shall be submitted **in three parts** as described below on or before the due date. Vendor Registration Form shall be submitted by unregistered vendors only.
 - i. **Part I (Envelop I)** – A. EMD & / or Tender Fee
or
Valid certificate towards exemption of tender fee & /or EMD, applicable for Micro and small Enterprises, as mentioned below:
MSE Suppliers can avail the intended benefits only if they submit along with the offer, attested copies of either EM II certificate having deemed validity (five years from the date of issue of acknowledgement in EM II) or valid NSIC certificate or EM II certificate along with attested copy of a CA certificate (format enclosed where deemed validity of EM II certificate of five years has expired) applicable for the relevant financial year (latest audited). Date to be reckoned for determining the deemed validity will be the date of bid opening (Part 1 in case of two part bid). Non submission of such documents will lead to disqualification of their offer. Documents should be notarized or attested by a Gazetted Officer.

B. Pre-Qualifying Requirement (PQR) – refer Annexure – 2.
C. Vendor Registration Form (SRF documents to be placed separately in part-I and not to be mixed with other documents).
 - ii. **Part II (Envelope II)**-Techno -Commercial Bid + Replica of Price Bid(Without prices)
 - iii. **Part III (Envelope III)** - Price Bid
4. The Quotation should be from the Principal / Original Manufacturer, failing which the quotation is likely to be ignored. However, if OEM / Principal insist on engaging the services of an agent, such agent shall not be allowed to represent more than one manufacturer / supplier in the same tender. Moreover, either the agent could bid on behalf of the manufacturer / supplier or the manufacturer / supplier could bid directly but not both. In case bids are received from both, the manufacturer / supplier and the agent, bid received from the agent shall be ignored. In Case the quotation is submitted through agent, the quotation must accompany original authorization letter from the Principal / Original Manufacturer.
5. **The bidders will have to submit ink-signed offer / bid in original directly to BHEL. Each and Every Page of offer must be duly signed and stamped. Unsigned bids shall be ignored.**
6. The suppliers or their authorized person may be allowed to attend the tender opening, if duly authorized by their principals, through a specific letter for a particular enquiry or for specific price bid opening on that particular day. General authorization letter is not acceptable
7. Any corrections / amendments shall be properly & fully authenticated with signature. No overwriting is acceptable.
8. Compliance of technical/ commercial terms and conditions as per Annexure-3

9. Part-I will be opened on the date and time specified in the tender notice in the presence of those vendors who wish to attend.
10. Part-II bid will be opened of the vendors who successfully qualify the PQR requirements and have submitted Tender Fees &/or EMD or valid certificate towards exemption of EMD & Tender fees, Applicable for Micro and Small Enterprises.
11. Part-III (Price Bids) along with supplementary price bids, if necessary, will be opened at a later date of only those bidders who successfully qualify the PQR requirements, their techno commercial bid has been found acceptable and have submitted tender fees or valid certificate towards exemption of tender fee, applicable for Micro and small Enterprises.
12. Vendor to quote best possible deliveries in the offer. Offers of those vendors may not be considered if it is not found suitable to BHEL requirement.
13. Currency exchange rate will be applicable on the date of opening of Part-I for evaluation purpose.
14. Depending upon the delivery suitability, BHEL reserves the right to split order on more than one vendor.
15. Evaluation of Bid: - The bid shall be evaluated
 - a. Cost to BHEL basis. (Basic Cost + Insurance + Transportation + Duty)
 - b. The loading, if any, on account of LD penalty, payment terms or any other cost determined at later stage, which shall be communicated to the vendor.
16. Tenders when finalized shall be in the name of the bidder only and change of name during tender evaluation (without certificate from registrar of company) and after submission of the tender is liable to make the offer ineligible for participation.
17. All test certificates / Guarantee certificates to be submitted in TRIPLICATE along with dispatch documents.
18. BHEL reserves the right to open the price bid (part-III) along with the opening of techno-commercial offer (Part-II) at its option and in that case vendor will be informed accordingly.
19. BHEL reserves the right to go for reverse auction. Vendors are requested to give their best price. In case of failure of reverse auction the paper bid shall be processed. Bidder should clearly indicate their acceptance for reverse auctioning in Annexure-3. The bids of those vendors who do not agree for reverse auction may not be considered. The Terms & Condition for Reverse Auctioning are enclosed.
20. Total weight -- /Gross / Net in Kg. & also package size essentially should be indicated if not exact then approximate.
21. BHEL will evaluate the technical bids against essential criteria/requirements. BHEL may seek clarifications, if required, from the qualified bidders only. These clarifications will be communicated to the eligible vendors. The offers of those bidders, who are unable to respond in specified time frame, are likely to be ignored.
22. SETTLEMENT OF DISPUTES
 - Indigenous Vendors: In all cases of dispute the matter shall be referred for arbitration to any arbitrator to be appointed by the Executive Director or any officer who is the administrative head of Bharat Heavy Electricals Ltd., at Haridwar. The venue of arbitration shall invariably be Ranipur Haridwar. The award of the arbitrator shall be final and binding on both the parties. The arbitrator shall have the power to extend, from time to time, the time for making his award with the consent of the parties.
 - Foreign Vendors: In the event of any dispute or difference arising between the parties to this contract regarding execution of same or their respective rights and liabilities there under, the same shall except as otherwise expressly provided therein, be referred to the arbitration of the two arbitrators, one to be appointed by each party; or in the case of the said arbitrators not agreeing then an umpire to be appointed by the two arbitrators in writing before entering on that reference and provisions of the Indian Arbitration Act ,1940 or any statutory notification, or re-enactment therefore and rules framed there under from time to time shall apply to such arbitration . If the two arbitrators do not agree on the appointment of umpire, the nomination of the umpire shall be done by the International Chamber of Commerce, Paris(France).The decision of arbitrators, or in case of their not agreeing, that of the said umpire shall be binding both on seller and purchaser. The venue of the arbitration invariably be New Delhi.
23. JURISDICTION

All question, dispute or differences arising under, out of or in connection with the purchase order shall be subject to the exclusive jurisdiction of Haridwar courts.
24. OVER RIDING CLAUSE

All stipulations made in any correspondence other than those exchanged in regards to “instruction” in our tender documents / enquiry for submission of your offer, if at all shall be void to the extent they are repugnant to the conditions contained herein above and in the purchase order.
25. FINALITY OF MANAGEMENT DECISION

At all places in the preceding clauses BHEL Management’s decision shall be final.

4.0 GENERAL INSTRUCTIONS

PART-I (EMD &/or Tender fees (or exemption certificate), PQR, SRF in envelope-I) shall comprise of following documents:

- a. Tender fees/EMD or exemption certificate (to be provided in separate envelope).
- b. ***Annexure-2 for Pre-qualification requirement. Point wise reply to all the points mentioned in Pre- Qualifying Requirement specified in the tender. Relevant documents as requested in Pre-Qualifying Requirement must be attached.***
- c. **Vendor Registration Form (SRF)**
(Kindly follow the link and follow instructions: <http://supplier.bhel.in/>)
The SRF duly filled up will be assessed for manufacturing capability quality systems being followed, organizational soundness and financial worthiness. The same shall be submitted with Part-I by un-registered vendor only with BHEL, HEPP, Haridwar or the proof of submission through online portal. BHEL registered vendors (registered with permanent code M, N, S) need not to submit SRF.
For vendors registered with T code, SRF is to be submitted essentially along with the offer.
- d. Non-disclosure agreement as per Annexure 6. The agreement shall be duly stamped & signed.

PART-II (Technical Clarification in Envelope-II) shall comprises of following documents:

- a. Complete technical offer.
- b. Annexure-3 for compliance of technical/ commercial terms and conditions.
- c. Complete technical offer as per specification, drawings, technical requirement along with un-priced bid indicating CIF rate, separate Lloyd's/BV/TUV inspection charges (for Foreign vendors) and delivery schedule(***Point wise reply to each and every point of Technical specification shall be submitted.***)
- d. Validity of offer to be indicated.
- e. Deviation with reference to specification/drawing, if any, should be clearly indicated on a separate sheet.
- f. Copy of price Bid (without prices).
- g. Any additional documents duly signed and stamped.

PART -III (Price Bid)

- a. Price bid with prices to be submitted as part-III of the tender.
- b. If price bid is not submitted along with Part-I bid, the offer will be rejected outrightly.
- c. In case of foreign vendors, prices to be quoted on CIF basis separately. In case of CIF, Loading port must be mentioned. However, for air shipment the rates to be quoted on CPT destination port basis. And air freight charges to be indicated separately in price bid. Further non-availability of flight will not be accepted for rescheduling the delivery or waiver of penalties on account of delayed delivery.
- d. In case of Indigenous vendor, prices must be quoted on FOR-Destination-CPS-HEPP-BHEL basis. However, the insurance will be arranged by BHEL. Vendor can dispatch good through any Indian Bank Association approved transporters having their branch at Haridwar / destination. For the convenience name and address of transporters approved by IBA and BHEL are posted at website www.bhelhwr.co.in. Further, non-availability of BHEL approved transporter will not be accepted for rescheduling of delivery or waiver of penalties.
- e. In case of foreign vendors, third party (Lloyd's/BV/TUV) inspection charges to be quoted separately as third party inspection (Lloyd's/BV/TUV) is in vendor's scope. For Indian vendors, inspection shall be by TUV/ BHEL nominated inspection agency. Prices shall be loaded by 0.18% on account of TUV/ BHEL nominated inspection agency inspection charges. Third Party inspection shall be in BHEL scope.
- f. Prices should remain firm till the execution of the order. However, in case vendor prefers to maintain their own PVC formula, they can do so. Vendors must give upper & lower cap. However, lower cap has to be either equal or more in percentage point than the upper cap from base prices. This is **must** for evaluation purpose. **Upper price limit** will be considered for evaluation purpose.
- g. Insurance during transportation shall be taken care of by BHEL.
- h. Applicable sales Tax, Excise duty, service tax, educational cess and any other statutory levy should be indicated separately and clearly in the quotation.
- i. **Prices are to be written in both Figures & Words. In case of any difference between the two, if there is a discrepancy between words and figures, the amount in words shall prevail for evaluation and establishing L1 status.**
- j. **Date of delivery will be considered as per the delivery terms mentioned in the Purchase order. Penalty will be applicable on total order value at the rate of ½% (half percent) per week or part thereof subject to a maximum of 10% of the PO value unless otherwise specified. Acceptance / non acceptance of this condition must be specifically mentioned in your offer. Any deviation from**

this will be loaded accordingly i.e BHEL shall load maximum penalty under penalty for late delivery clause, to the extent the same is not agreed by the bidder, for purpose of evaluation.

- k. Payment term preferably shall be “80% payment (80% of PO Value) against dispatch documents & 20% of PO value + Erection & Commissioning charges, if any after successful completion of commissioning/prove out, through irrevocable LC (for foreign vendors) with bank charges as either side’ and “80% payment (80% Of PO Value) against dispatch documents & 20% of PO Value + Erection & Commissioning charges, if any after successful completion of commissioning/prove out (for indigenous vendors)”. **BHEL as a rule do not agree to release advance payment.**
- l. Irrevocable LC is opened for one quarter (3 months) & is established 30 days prior to delivery schedule. The charges of establishing the LC are on either side i.e. charges in India to be borne by BHEL and charges outside of India to be borne by vendor. If any vendor insists for LC for more than one quarter, vendor has to essentially bear all charges (Within & outside India) for the period exceeding one quarter.
- m. **BHEL does not open confirmed LC even if vendor agrees to bear the confirmation charges.**
- n. **The comparison between foreign and indigenous bids shall be done based on the Total Landed cost at Destination basis.**
- o. **EMD given by all unsuccessful tenderers shall be refunded on acceptance of award/LOI/PO by successful Tenderer. The EMD of successful bidder shall be returned after submission of Contract Execution Bank Guarantee(CBG)**

Note:

After tender opening (Part-I), if it is found that:

- The bidder has not submitted the requisite Tender Fee and EMD (If applicable)

- The bidder has claimed to be an MSE vendor but no supporting documents have been submitted in this regard.

In both the above cases the offer of the bidder shall be straightaway rejected and no correspondence from the bidder in this regard shall be entertained.

However, offer of the bidder shall be treated as per the guideline in case the bidder has claimed to be an MSE vendor and submitted requisite MSE documents.

BHEL reserves the rights to place order for tendered quantity on more than one vendor

Superscription on envelopes:

The following shall be super scribed on the envelopes:

PART-I

1. TENDER NO. AND ITEMS DESCRIPTION
2. DUE DATE FOR OPENING.
3. TENDER FEE, EMD (IF APPLICABLE) OR MSE CERTIFICATE TOWARDS EXEMPTION OF EMD & TENDER FEE
4. PRE- QUALIFYING REQUIREMENT (PQR)
5. SUPPLIER REGISTRATION FORM (SRF)
6. NON DISCLOSURE AGREEMENT (NDA)

PART-II

1. TENDER NO. AND ITEMS DESCRIPTION
2. DUE DATE FOR OPENING OF PART-I
3. TECHNO-COMMERCIAL BID

PART- III

1. TENDER NO. AND ITEMS DESCRIPTION
2. DUE DATE FOR OPENING OF PART-I
3. PRICE BID

The part-I, part-II, & part-III shall be individually sealed and super scribed as indicated above and shall be enclosed further in the envelop duly sealed and super scribed as:

“TENDER FOR (ITEM NAME) AGAINST TENDER NO.----- DUE ON -----
CONTAINING PART-I,PART-II & PART-III OF THIS OFFER.” Vendor’s full name and address should be clearly mentioned on the envelope and shall be addressed to:

To,

Head of Materials Management,
Heavy Electrical Equipment Plant,
BHEL,
Hardwar- 249403

Envelopes not marked as above are liable to be ignored and will not be opened.

IN CASE YOU ARE NOT MAKING AN OFFER AGAINST THIS ENQUIRY, THEN PLEASE ARRANGE TO SEND A LETTER OF REGRET IF YOU HAVE COLLECTED THE TENDER DOCUMENTS FROM BHEL.

TERMS AND CONDITIONS OF REVERSE AUCTIONING

Against this enquiry for the subject item /system with detailed scope of supply as per enquiry specifications, BHEL may resort to “REVERSE AUCTION PROCEDURE” i.e., ON LINE BIDDING ON INTERNET.

- For the proposed reverse auction, technically and commercially acceptable bidders only shall be eligible to participate.
- BHEL will engage the services of a service provider who will provide all necessary training and assistance before commencement of on-line bidding on internet.
- BHEL will inform the vendor in writing in case of reverse auction, the details of Service Provider to enable them to contact & get trained.
- Business rules like event date, time, start price, bid decrement, extensions etc. also will be communicated through service provider for compliance.
- Vendors have to fax the Compliance form in the prescribed format (provided by Service provider) before start of Reverse auction. Without this, the vendor will not be eligible to participate in the event.
- BHEL will provide the calculation sheet (e.g., EXCEL sheet) which will help to arrive at “Total Cost to BHEL” like Packing & forwarding charges, Taxes and Duties, Freight charges, Insurance, Service Tax for Services and loading factors (for non-compliance to BHEL standard Commercial terms & conditions) for each of the vendor to enable them to fill-in the price and keep it ready for keying in during the Auction.
- Reverse auction will be conducted on scheduled date & time.
- At the end of Reverse Auction event, the lowest bidder value will be known on the network.
- The lowest bidder has to Fax the duly signed Filled-in prescribed format as provided on case-to-case basis to BHEL through Service provider within 24 hours of Auction without fail.
- Any variation between the on-line bid value and the signed document will be considered as sabotaging the tender process and will invite disqualification of vendor to conduct business with BHEL as per prevailing procedure.
- In case BHEL decides not to go for Reverse Auction procedure for this tender enquiry, the Price bids and price impacts, if any, already submitted and available with BHEL shall be opened as per BHEL’s standard practice.

Annexure- 1

Sl. No.	Tender No.	Description of Item	Delivery Required	Qty (No)
1	T/6410/2015/5621D/1	HW7799924594 NR-10 UNIVERSAL MILLING HEAD OR EQUIVALENT FOR CNC HORIZONTAL BORING MACHINE RACEM-601 OF DFP SPECIFICATION: NR-10	30.07.2016	1
2		HW7799924586 NR-14 RIGHT ANGLE VERTICAL MILLING HEAD OR EQUIVALENT FOR CNC HORIZONTAL BORING MACHINE RACEM-601 OF DFP SPECIFICATION: NR-14	30.07.2016	1

- *Vendor should quote best possible delivery dates.*
- *Early delivery is also acceptable.*

Against vendor's replies, BHEL reserves the right to ask for more information/ documents/ clarifications. Vendor's offer shall not be considered if vendor fails to furnish the document / information / clarifications as mentioned above or doesn't meet the acceptance criteria.

Annexure – 2

Special Instructions:

1. Technical Specification cum Scope of Supply and Pre-Qualification Requirement (PQR) for each item are enclosed. Vendor to give point wise reply to each and every point of Technical Specification & PQR and offer accordingly.
2. Operation and Maintenance Manual is required.
3. Recommended spares as per technical specification are required.
4. Erection and commissioning is required at site.
5. Erection and commissioning of the supplied attachment must be carried out by the party on our machine and its satisfactory operation must be demonstrated.
6. Vendor must confirm that the design of the head would be as per the drawing enclosed.
7. Vendor to quote erection and commissioning charges separately if required.
8. Warrantee certificate for minimum 12 month from date of commissioning is required.

Against vendor's replies, BHEL reserves the right to ask for more information/ documents/ clarifications. Vendor's offer shall not be considered if vendor fails to furnish the document / information / clarifications as mentioned above or doesn't meet the acceptance criteria.

Technical Specifications of Heads for CNC Horizontal Boring Machine (RACEM-601) equipped with SINUMERIK 840C

A. Universal Milling Head (NR-10) ~~NR-10~~

Size of the Machine Spindle taper	BT50
Spindle taper in Milling Head	BT50
Speed Ratio (transmission ratio)	1:1
Permissible speed	2500 rpm or more
Torque	1400 Nm or More
Head Clamping	Hydraulic
Tool clamping	Hydraulic
Indexing	360 deg with increment 1 deg

B. Right Angle Vertical Milling Head (NR-14) ~~NR-14~~

Size of the Machine Spindle taper	BT-50
Spindle taper in Milling Head	BT-50
Speed Ratio (transmission ratio)	1:1
Permissible speed	1000 rpm or more
Torque	600 Nm or More
Head Clamping	Hydraulic
Tool clamping	Supplier to inform
Indexing	360 deg with increment 1 deg

C. Supplier to offer following spares, as used in the heads separately for each head

- (a) Bevel Gears : 1 set each type
 - (b) Worm Gear and Worm Shaft: 1 set each type
 - (c) Bearings : 1 no each type
 - (d) Complete tool clamping and unclamping system : 1 set
 - (e) Any electrical or electronic item used in the head: 1 set
 - (f) Other spares as recommended by the supplier. : 1 no. each type ~~NR-14~~
- Prices for the above spares to be quoted separately.

SRM
20/1/16
(Shri Rsm Singh)

SRM
20/1/16
(Shakti Joshi)


SRM
20/1/16
(A.K. Sharma)

SRM
20.1.16

SRM
T.C. Garna

D. Other requirements

- 1) The milling heads should be able to hold BT-50 tool adapters.
- 2) The external dimensions (like head body width, Working length etc.) of the offered heads should be in line with the sketches of the already available heads which are attached at annexure-1 and annexure-2.
- 3) The offered head should be capable of mounting on the RAM with hydraulic clamping system.
- 4) Pull Stud for mounting the Head on the RAM and for mounting the Tools in the taper of the Head shall be supplied by the vendor. Pull studs design should be same as available on existing machine (RACEM-601). Supplier to provide detailed drawings of these pulls studs. Supplier may discuss the design of pull stud with BHEL prior to placement of P.O.
- 5) Supplier to provide all electrical, mechanical and other parts required for clamping and successful working of the above mentioned Head on the specified machine.
- 6) Commissioning of the Milling heads shall be carried out at BHEL Works by the supplier. Supplier shall demonstrate the performance of the heads separately by carrying out Facing, Milling, drilling, boring and tapping operations on a test piece, tooling to be provided by BHEL.
- 7) Warranty to be provided for minimum 12 months from date of commissioning.
- 8) The supplier shall supply complete assembly drawings along with drawing of components, their names and specifications in English language and identification numbers mentioned clearly, in two sets for each milling head.
- 9) 3 Nos. of operating manual in English language shall be supplied along with each milling head.
- 10) The supplier may be asked to visit the BHEL, Haridwar for technical discussion prior to placement of purchase order for any clarification regarding machine or specified requirement.


20/1/16
(Shri Ram Singh)


20/1/16

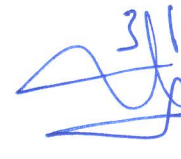

20-1-16


M.C. Gogna

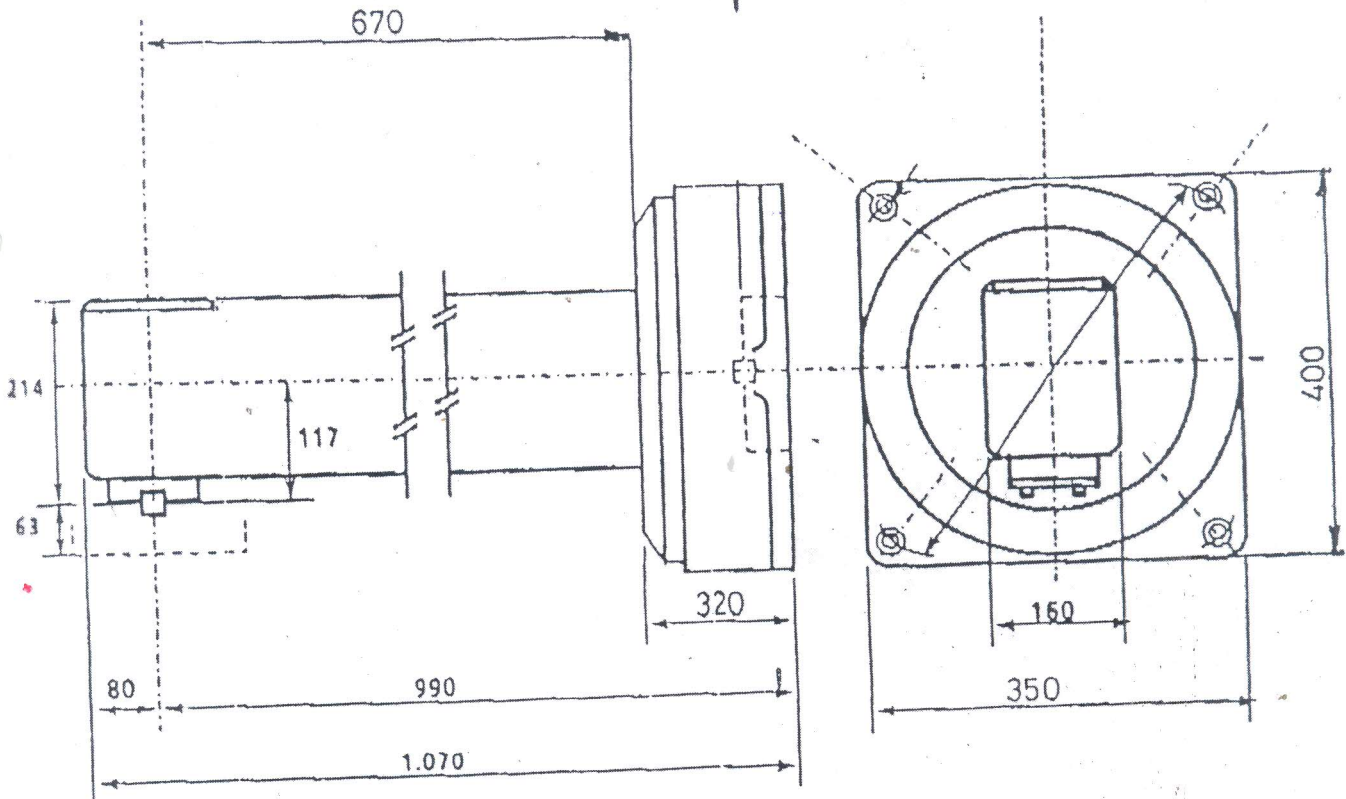
SL.NO.	DESCRIPTION FOR REQUIREMENT	FOR VENDOR		
		OFFERED	DEVIATIONS	REMARKS
1.0	QUALIFYING CONDITIONS : PQR FOR Right Angle			
1.1	Only those vendors (OEMs), who have supplied and commissioned a Right Angle Milling Head in the past 10 years (on the date of opening of Tender) and referred head is presently working satisfactorily for more than one year (on the original date of opening of Tender) after commissioning, should quote. The following information should be submitted by the vendor about the companies where referred head has been supplied. This is required from all the vendors for qualification of their offer.	Milling Head Vendor to accept & confirm	HW77999	24586
1.2	Name of the customer/ company where referred head is installed.	Vendor to inform		
	Complete postal address of the customer.	Vendor to inform		
1.3	Month & Year of commissioning.	Vendor to inform		
	Parameters of referred supplied head and application for which the accessory is supplied.	Vendor to inform		
1.4	Name and designation of the contact person of the customer.	Vendor to inform		
	Phone, FAX no. and e-mail address of the contact person of the customer.	Vendor to inform		
1.5	Confirmation about satisfactory performance of cutter supplied to referred customer from the vendor. However, BHEL may ask for submission of performance certificate of the supplied head from the referred customer which will have to be arranged by the vendor.	Vendor to confirm.		
1.6	If a vendor quotes on behalf of their principal, the vendor should submit an authority letter from the principal company, authorizing the Indian vendor to quote for their product.	Vendor to accept & confirm		
1.7	BHEL reserves the right to verify information submitted by vendor. In case the information is found to be false/incorrect, the offer shall be rejected.	Vendor to accept & confirm		

 Sushil Kumar
 Alaudy
 P.C. Garna

SL.NO.	DESCRIPTION FOR REQUIREMENT	FOR VENDOR		
		OFFERED	DEVIATIONS	REMARKS
1.0	QUALIFYING CONDITIONS : PQR For Univ. Milling Head (Mat. Code: HW77 99924594)			
1.1	Only those vendors (OEMs), who have supplied and commissioned a Universal Milling Head in the past 10 years (on the date of opening of Tender) and referred head is presently working satisfactorily for more than one year (on the original date of opening of Tender) after commissioning, should quote. The following information should be submitted by the vendor about the companies where referred head has been supplied. This is required from all the vendors for qualification of their offer.	Vendor to accept & confirm		
1.2	Name of the customer/ company where referred head is installed.	Vendor to inform		
	Complete postal address of the customer.	Vendor to inform		
1.3	Month & Year of commissioning.	Vendor to inform		
	Parameters of referred supplied head and application for which the accessory is supplied.	Vendor to inform		
1.4	Name and designation of the contact person of the customer.	Vendor to inform		
	Phone, FAX no. and e-mail address of the contact person of the customer.	Vendor to inform		
1.5	Confirmation about satisfactory performance of cutter supplied to referred customer from the vendor. However, BHEL may ask for submission of performance certificate of the supplied head from the referred customer which will have to be arranged by the vendor.	Vendor to confirm.		
1.6	If a vendor quotes on behalf of their principal, the vendor should submit an authority letter from the principal company, authorizing the Indian vendor to quote for their product.	Vendor to accept & confirm		
1.7	BHEL reserves the right to verify information submitted by vendor. In case the information is found to be false/incorrect, the offer shall be rejected.	Vendor to accept & confirm		


 S.C. Gagne.
 20.1.16
 20.1.16
 (Signature of S. C. Gagne)

NR-14 VERTICAL MILLING HEAD



SPECIFICATIONS

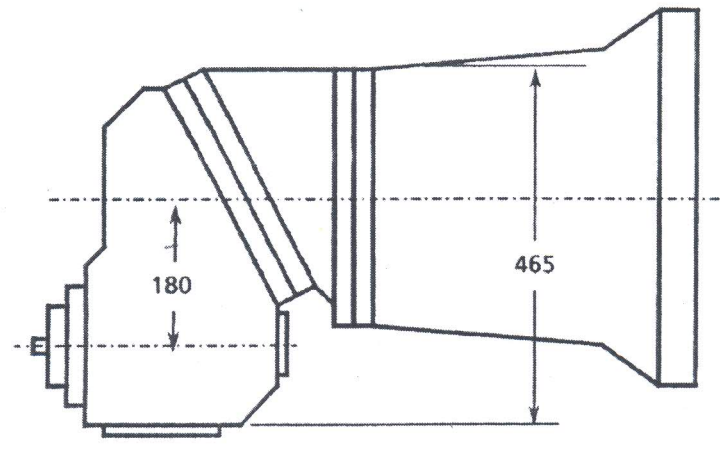
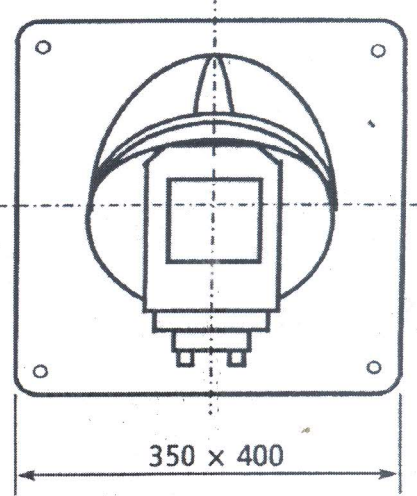
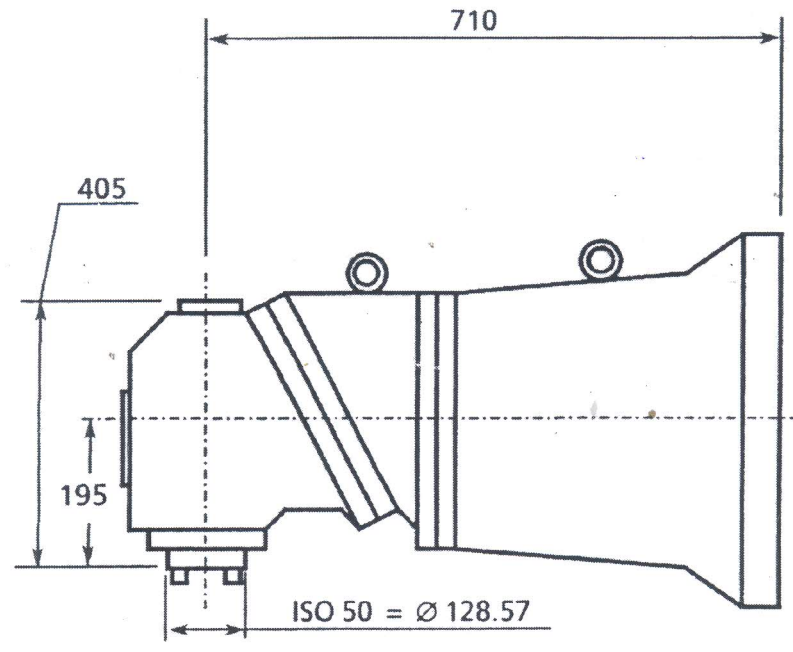
Speeds of cutter-holder spindle in continuous variation r.p.m.
 Rotation of the head
 Spindle inside taper
 External centring of the cutter-holder spindle
 Transmission Ratio
 Torque In te spindle

Máx. 1000
 360 x 1°
 ISO-50 / BT-50
 ISO-50 / BT-50
 1 : 1
 600 Nm.

[Handwritten signature]



NR-10 UNIVERSAL MILLING HEAD



SPEED - 2500 rpm
TORQUE - 140 Nm
TAPER - B7.56
CLAMPING - HYDRAULIC

ANNEXURE- 3

COMPLIANCE SHEET FOR TECHNICAL/COMMERCIAL TERMS AND CONDITIONS FOR THREE PART TENDER

PLEASE FILL THIS ANNEXURE & ATTACH WITH YOUR TECHNO-COMMERCIAL BID.

You are requested to kindly confirm /clarify the following:-

S.No.	Description	Your Confirmation
1.	Vendor to confirm that they meet each & every clause of our Specifications/Drawings.	
2.	If “No” to serial number 1, vendor to specify each deviated clause & submit in a separate sheet.	
3.	Vendor to list out on a separate sheet any activity which is outsourced. Please furnish details of out sourced vendor.	
4.	Validity: confirm that validity of the offer shall be 90 days from the date of tender opening	
5.	Confirm that un-priced part of price bid is enclosed with technical Commercial offer.	
6.	Confirm that prices have been quoted on CIF basis (For Foreign vendors)	
7.	Confirm that Loading Port has been mentioned.	
8.	Confirm that prices have been quoted on FOR BHEL Haridwar basis. (For Indigenous vendor)	
9.	Confirm that prices shall be firm and fixed throughout delivery period.	
10.	Confirm that payment term preferably shall be “80% (of PO Value) payment against dispatch documents & 20% of PO Value + E & C charges, if any after successful completion of commissioning/prove out at BHEL Haridwar (for Indigenous vendor) and “80%(of PO Value) payment against dispatch documents & 20% of PO Value + E & C charges, if any after successful completion of commissioning/prove out through irrevocable L/C (for foreign vendor) with Bank charges shall be either side.	
11.	LD Penalty shall be applicable on total order value at the rate of ½ % (half percent) per week or part thereof subject to a maximum of 10% of PO value. Any deviation from this will be loaded accordingly i.e BHEL shall load maximum penalty under penalty for late delivery clause, to extent the same is not agreed by bidder, for the purpose of evaluation.	
12.	Confirm that all test certificates / Guarantee certificates to be submitted as per BHEL specification. in TRIPLICATE along with dispatch documents	
13.	Right of acceptance – BHEL reserves the right to reject any or all quotations without assigning any reasons thereof. BHEL also reserves the right to increase or decrease the tendered quantities. Vendors should be prepared to accept order for reduced quantities without any extra charges. Vendor should also be prepared for giving discount in case of Increase in quantity.	
14.	Confirm specifically that material shall be supplied as per tender documents.	
15.	No grace period in delivery is acceptable. Please quote delivery accordingly.	
16.	Ink signed order acceptance shall be furnished within 15 days of order placement.	
17.	Confirm if there is Indian agency commission included in your price.	
18.	Kindly confirm ‘Testing & Certification as per ordering drawing’.	
19.	Please confirm your acceptance for Reverse Auctioning of these items.	
20.	In case of PO (if any), Invoices against goods and services have to be submitted immediately after supply of goods and services but not later than 30 days from the invoice date. In case of any delay, consequential losses like loss of input credit and non-availability of concessional forms etc., shall be to the vendor’s account (For Indigenous vendor). Kindly confirm.	
21.	‘In case of delays in supplies / defective supplies or nonfulfillment of any other terms and conditions given in Purchase Order the purchaser may cancel the Purchase Order in full or part thereof, and may also make the purchase of such material from elsewhere / alternative source at the risk and cost of the supplier.’. Kindly confirm.	

ANNEXURE - 6

NON-DISCLOSURE AND PROPRIETARY INFORMATION AGREEMENT

BETWEEN

_____ (Name of the Vendor), having its registered offices in
_____ (Address of Vendor), registered under the no.
of the Companies' register of _____ (Name of Place and Country),
capital stock of _____ (Value), with a place of business in
_____ (Name of Place and Country) (hereinafter referred to as
" _____ (Name of Vendor)");

AND

Bharat Heavy Electricals Ltd a company incorporated under the Indian Companies Act 1956 having its registered offices at BHEL House, Siri Fort, New Delhi -110 049 and having one of its works at Heavy Electrical Equipment Plant, Ranipur, Haridwar-249403 (Uttarakhand), India registered under the No. 4281 of 1964-65 of the companies register of Delhi, capital stock of Rs 4895.2 million with a place of registered office in New Delhi (hereinafter referred to as "BHEL") hereinafter also referred to individually as "the Party" or collectively as "the Parties".

BACKGROUND

This Agreement sets forth the rights and obligations of the Parties with respect to the use, handling, protection and safeguarding of Proprietary Information that is disclosed by and between the Parties.

WHEREAS

A) the Parties wish to pursue exploratory discussions concerning a possible collaboration between them in relation to the Program defined in Exhibit 1;

B) during the ensuing discussions and negotiations it may occur that either Party discloses to the other technical, financial or business information of a proprietary or confidential nature, which the Parties intend to protect against, making it available, by any means to any third person, and other unauthorized use and/or further disclosure by the recipient, in accordance with the terms and conditions set forth herein;

NOW, THEREFORE, the Parties have agreed as follows:

1. The term “Proprietary Information” shall mean any information or data of whatsoever kind of a confidential or proprietary nature, including but not limited to, commercial information, know how and technical information in the form of designs, drawings, concepts, requirements, specifications, software, interfaces, components, processes, or the like, that have been or will be disclosed by either Party to the other pursuant to this Agreement, either in writing, orally or other form, which is designated as “Proprietary” or “Confidential” by the disclosing Party by means of formal declaration or an appropriate stamp, legend or any other written or orally notice .

2. Proprietary Information may be conveyed, without limitation, through any written or printed documents, samples, models, electronic form on disk, tape, other storage media or any other means of disclosing such Proprietary Information that either Party may elect to use during the life of this Agreement, but if an originating Party originally discloses information orally or visually, the receiving Party will protect such information as Proprietary Information to the extent that the originating Party :
 - identifies the Information as Proprietary at the time of original disclosure,
 - summarizes the Proprietary Information in writing .

Information stored in electronic form on disk, tape, other storage media will be adequately marked if a proprietary legend displays when the information originally runs on a computer system and when the information is printed from its data file.

Proprietary Information also includes any information which can be obtained by examination, testing or analysis of any hardware or material substance or any component part of such hardware or material substance provided by the Disclosing Party even though the requirements in Clause 1 for marking and designation have not been fulfilled.

3. Each Party, to the extent of its rights to do so, shall disclose to the other only the Proprietary Information which the disclosing Party deems appropriate to fulfil the objectives of this Agreement. The Parties hereby represent that the disclosure of Proprietary Information by and between themselves shall be made in compliance with, and subject to the laws and regulations of the Disclosing Party's country.

4. The receiving Party hereby agrees and covenants that, from the effective date of this Agreement until the expiry date as per article 11 and the following period as per article 12, the Proprietary Information that either Party receives from the other shall:
 - a) be protected and kept in strict confidence by the receiving Party which must use the same degree of care it uses to protect its own confidential information and in no case less than a reasonable care;

 - b) be only disclosed to and used by those persons within the receiving Party's organization or that of its parent or controlled companies who have a need to know and solely for the purposes specified in this Agreement, and be treated by such persons or entities with the same degree of care and subject to the same restrictions;

 - c) to procure that each third party to whom Proprietary Information is disclosed under this Agreement is made aware of the provisions of this Agreement prior to such disclosure to it and that each such third party is

bound by obligations of confidentiality which are no less onerous than those contained in this Agreement;

- d) neither be disclosed nor caused to be disclosed or made available, either directly or indirectly, to any third Party or persons other than those mentioned in subparagraph b) above or other persons upon which both of the contractual Parties shall agree in an amendment to this Agreement;
- e) not to copy, reproduce or reduce to writing any part of such Proprietary Information except as may be reasonably necessary for the purpose referred to in the Recitals of this Agreement

PROVIDED THAT the Receiving Party shall be entitled to make any disclosure required by court order or government or regulatory requirement of the Disclosing Party's Proprietary Information subject to notifying the Disclosing Party as soon as possible of such requirement

- 5. Any Proprietary Information and copies thereof disclosed by either Party to the other shall remain the property of the disclosing Party and shall be immediately returned or destroyed by the receiving Party upon request.
- 6. The receiving Party shall have no obligations or restrictions with respect to any Proprietary Information for which the receiving Party can prove that:
 - a) is in or which comes into the public domain otherwise than as a result of a breach of this Agreement by any person to whom a disclosure of Proprietary Information is made as permitted under this Agreement or of any other duty of confidentiality relating to the Proprietary Information of which the Receiving Party has knowledge; or
 - b) it has been in its possession without restriction at the time of the disclosure, as evidenced by written documentation in its files; or
 - c) it has been lawfully received from a third Party without breach of this Agreement; or

- d) it has been or is published without violation of this Agreement; or
 - e) it has been independently developed in good faith by employees of the receiving Party who did not have access to the Proprietary Information; or
 - f) it has not been properly declared, designated or confirmed as Proprietary or Confidential; or
 - g) the protection period has expired according to articles 11 and 12 of this Agreement.
7. With respect to any exchange of Proprietary Information which may occur as a result of this Agreement, it is expressly understood and agreed that the persons listed in Exhibit 2 shall, on behalf of the respective Parties, be the exclusive individuals authorized to receive from and transmit to the other Party Proprietary Information under this Agreement. Each Party may replace at any time its respective authorized individuals identified in such Exhibit 2, within its own organization. Any such new designation by a Party shall be made by written notice to the other at the address indicated in such Exhibit 2.
8. Any Proprietary Information which is identified as “Classified Information”, or whose export is subject to an export license, shall be identified as such by the disclosing Party at the time of disclosure and the disclosure, protection, use and handling thereof, shall remain subject to the security procedures and restrictions imposed by the disclosing Party's Government.
9. The disclosure of Proprietary Information under this Agreement by either Party to the other shall not be construed as granting to the receiving Party any right, whether express or implied by licence or otherwise, on the matters, inventions or discoveries to which such information pertains, or as granting any trademark, patents, copyrights, trade secret right or other form of intellectual property right.

10. Nothing in this Agreement may be construed as an obligation of either Party to disclose any Proprietary Information to the other, or to enter into any subsequent contractual relationship with such other Party.
11. This Agreement covers the exchange of Proprietary Information which may be made by either Party to the other until ten years from signing of the agreement or any extension thereto which may be agreed upon by the Parties in writing. Proprietary information relevant to the Program detailed in Exhibit 1, already made available to the other contractual Party before the effective date, shall also be protected under this Agreement.

It is understood by the parties that, prior to disclosure, the Disclosing Party shall have obtained any government authorisation needed for the export of the Proprietary Information

12. The expiry of the period contemplated in Article 11 of this Agreement shall not relieve the receiving Party from complying with the obligations imposed by Article 4 here above with respect to the use and protection of the Proprietary Information, received prior the date of such expiry, for a period of ten (10) years after such expiry.
13. The Parties are independent contractors. Each will bear all costs and expenses in connection with this Agreement. This Agreement is intended to facilitate only the exchange of Proprietary Information and is not intended to be, and shall not be construed to create a teaming agreement, joint venture, association, partnership, or other business organisation or agency arrangement and no Party shall have the authority to bind the other without the other Party's separate prior written agreement .
14. This Agreement shall be governed by and shall be interpreted in accordance with the substantive federal laws of Switzerland excluding it's choice of law rules.

Irrespective of the foregoing each Party shall remain bound by the provisions of its own national laws and regulations with respect to the transfer or use of Classified Information or information whose export is subject to an export license.

15. All disputes among the Parties, in connection with or arising out of the existence, validity, construction, performance and termination of this Agreement (or any terms thereof), which the Parties are unable to resolve among themselves, shall be finally settled by an Arbitration. The Arbitration shall be held in Geneva (CH) in English language, in accordance with the rules of the ICC – International Chamber of Commerce by three arbitrators appointed in accordance with said rules.
16. The foregoing constitutes the entire Agreement among the Parties with respect to the subject matter hereof and supersedes and cancels all prior representations, negotiations, commitments, undertakings, communications, either oral or written, acceptances, understandings and agreements among the Parties with respect to or in connection with any of the matters to which such Agreement applies or refers.
17. Notices to _____ (**Name of Vendor**) shall be made at the following address:

(Complete Address of Vendor)

Attention: Mr. _____ (**Name of the Authorised Person of Vendor**)

Notices to BHEL shall be made at the following address:

BHARAT HEAVY ELECTRICALS LIMITED,

HEAVY ELECTRICAL EQUIPMENT PLANT,

Ranipur, Haridwar-249403 (Uttarakhand), India

Attention: Shri B.M.Bansal, General Manager- Materials Management

18. The effective date of this Agreement shall be the date of the last signature appearing herein.

IN WITNESS WHEREOF, each of the Parties has caused this Agreement, to be executed by its duly authorized officer.

Date :

Signed for and on behalf of

Signed for and on behalf of

(Name of Vendor)

BHEL

By:

By:

Title:

Title:

Signature:

Signature:

EXHIBIT 1

to the

NON-DISCLOSURE AGREEMENT

between

_____ **(Name of Vendor)**

and

BHARAT HEAVY ELECTRICALS LIMITED

dated:

The Non Disclosure Agreement covers the exchange of Proprietary Information which may occur during the discussions and negotiations in view of a possible cooperation between the Parties in the following programs:

-Description of Material or Services for which the order is placed

_____ **(Name of Vendor)** list of products that require an exchange of Proprietary Information which may be occur during the discussions and negotiations in view of a possible cooperation for the above programs :