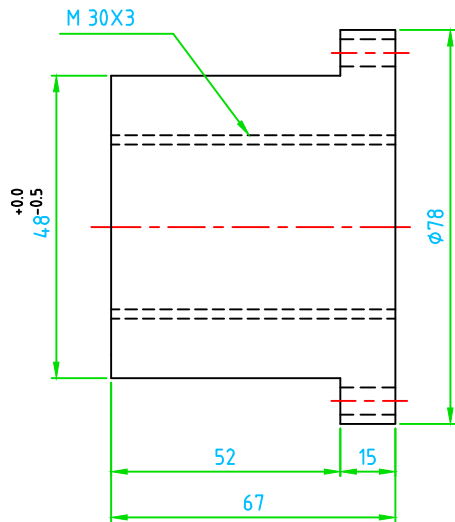
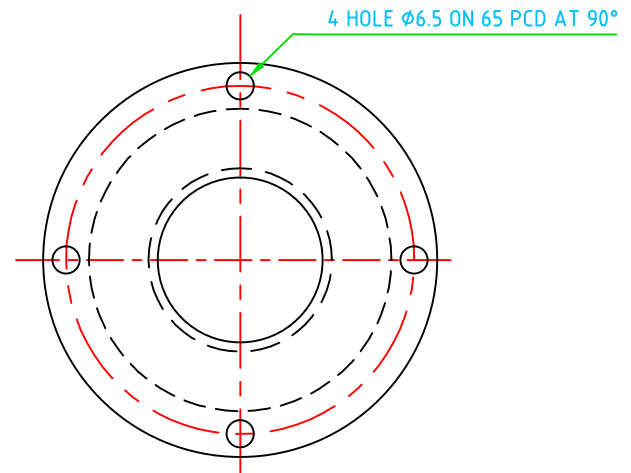


LH & RH THREAD NUT
(01 NO. EACH)
MATERIAL :PHOSPHOR BRONZE



LH & RH THREAD BOX NUT
(01 NO. EACH)
MATERIAL :PHOSPHOR



NOTE: -
AS PER SHEET 9 OF 21

FILE NAME # 1077 LEAD SCREW WITH CHUCK NUT	FSCM NO	SHEET 21 OF 21	SCALE N.T.S
SIZE A4		BHARAT HEAVY ELECTRICALS LTD.JHANSI	
DRAWN 31-10-2014 ANAND KUMAR		GUIDE WAY FOR GEORG #1077	
CHECK V.K. GUPTA		LINK NUT	
APPR. NITIN GAURI		DWG NO	
ISSUED		-BHEL/JHS/WE&S/A4 -1926	
REV			
CONTRACT NO			