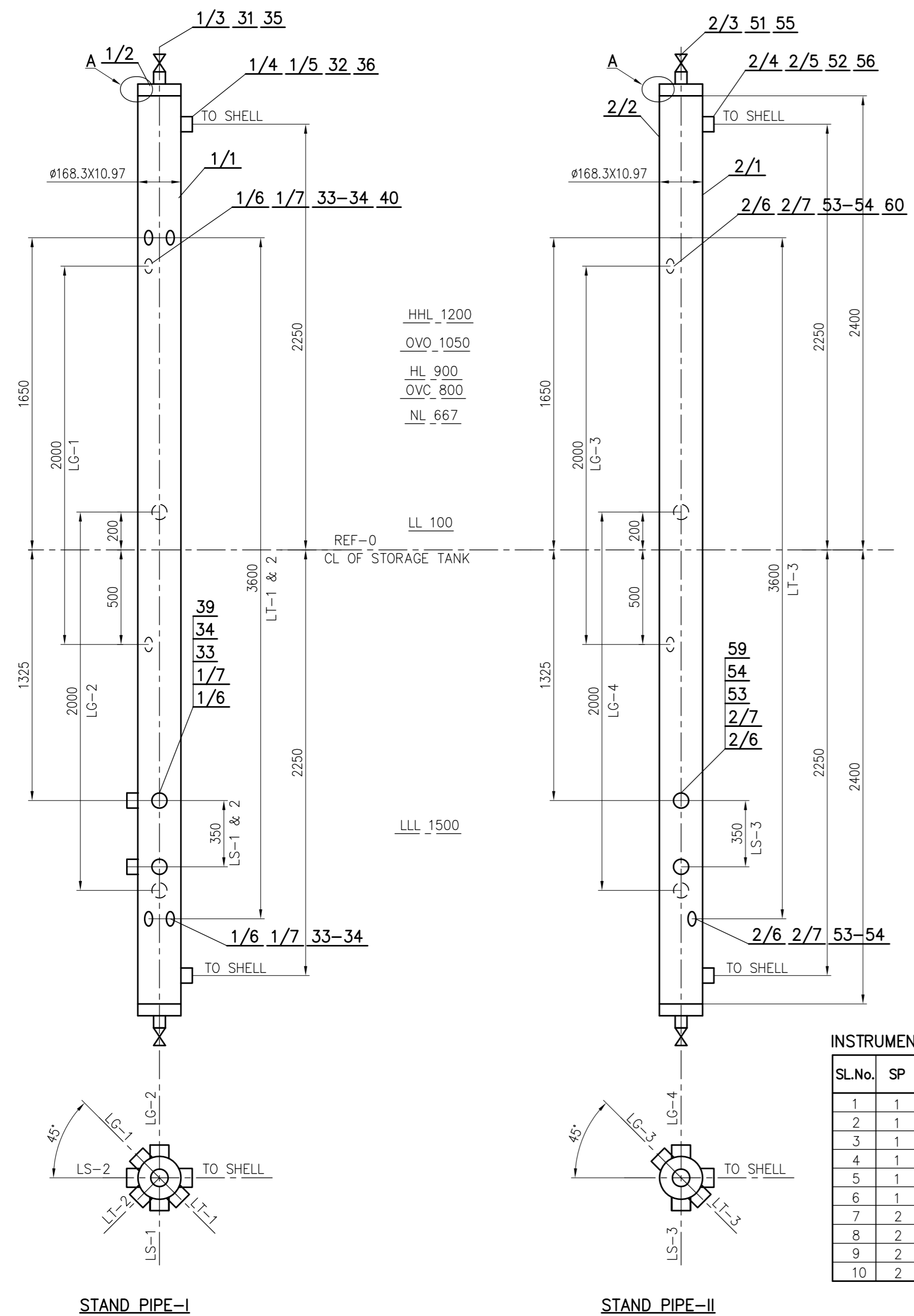


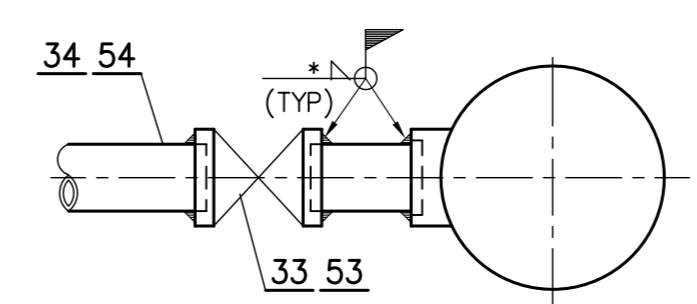
DRG. NO. 2-163-19-11671

THE INFORMATION ON THIS DOCUMENT IS THE PROPERTY OF BHARAT HEAVY ELECTRICALS LIMITED. IT MUST NOT BE USED DIRECTLY OR INDIRECTLY IN ANY DETRIMENTAL TO THE INTEREST OF THE COMPANY

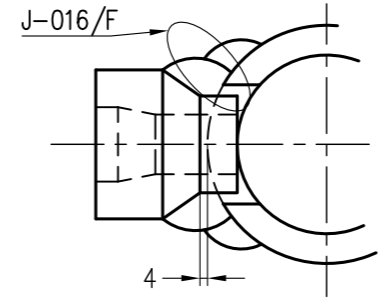
GENERAL DIMENSIONAL LIMITS, FITS & TOLERANCES AS PER HY0230261



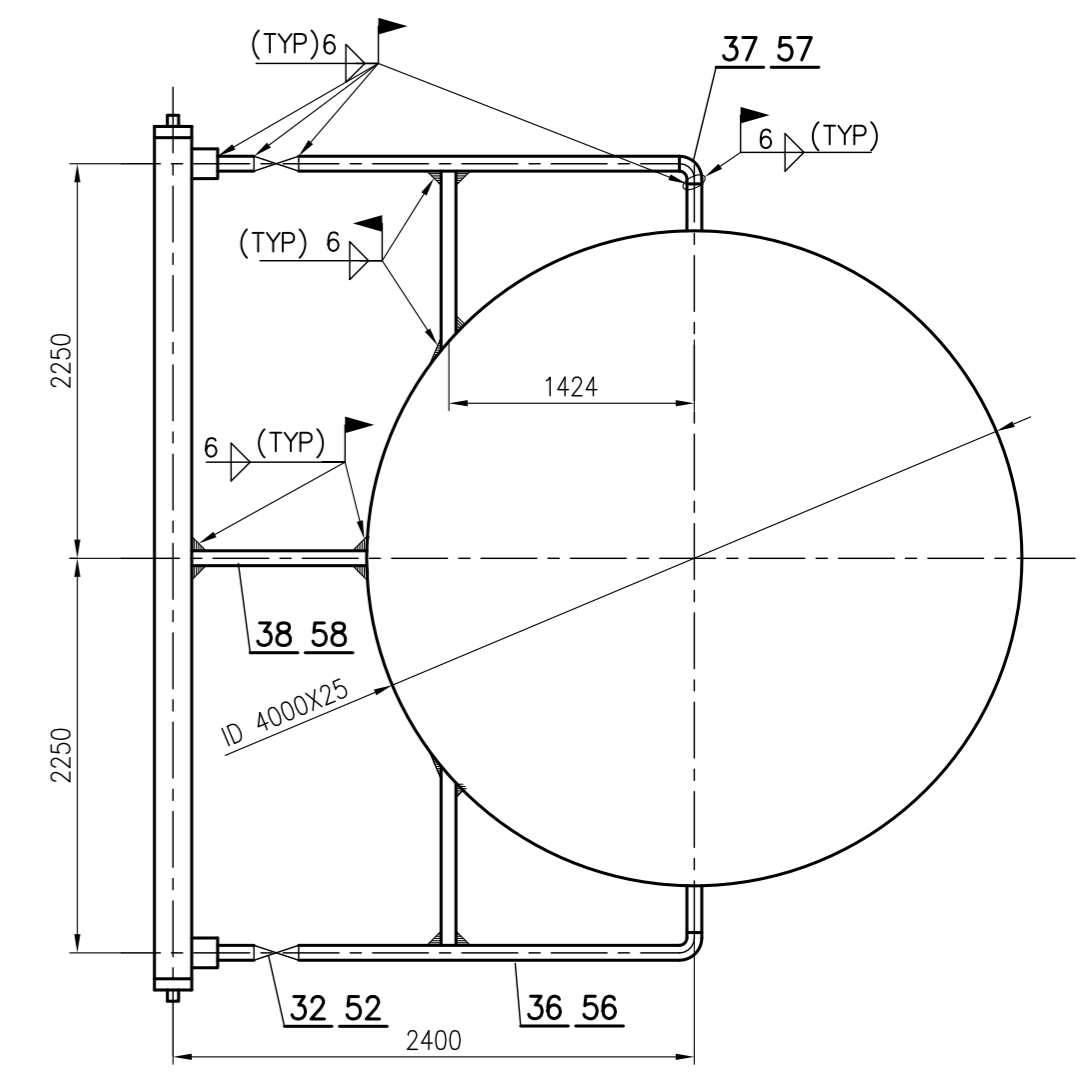
*=0.7 X CONNECTION PIPE THICKNESS.



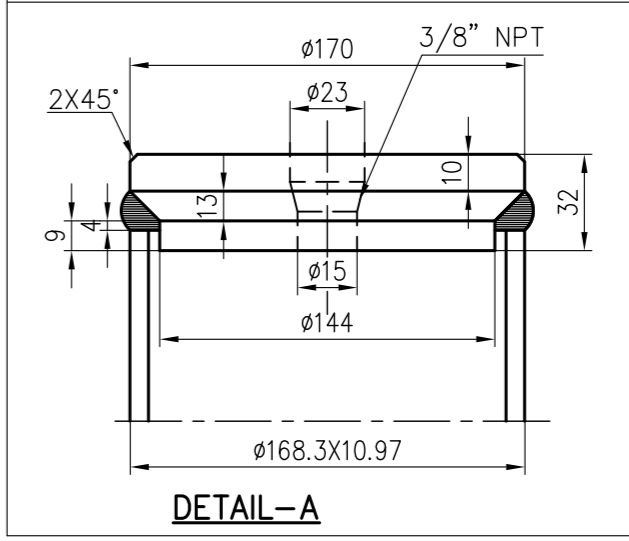
SW CONNECTION WELDING DETAIL (FOR LS, LG & LT)



PIPE TO COUPLING WELDING



STAND PIPE TO SHELL CONNECTION DETAIL



DETAIL-A

DESIGN DATA

SL.No.	DESCRIPTION	UNIT	VALUE
1	DESIGN PRESSURE	atg	14 & FULL VACUUM
2	DESIGN TEMPERATURE	°c	210
3	TEST PRESSURE	atg	21.0
4	TEST TEMPERATURE MAX/MIN	°c	AMBIENT/20
5	CORROSION ALLOWANCE	mm	3.2

WEIGHT TABLE

DESCRIPTION	WEIGHT (kgs)	
	SP-I	SP-II
DESPATCH WT.	236	232
TOTAL WT.	598	560

INSTRUMENT DETAILS

SL.No.	SP	DESCRIPTION	TAG NO.	C/C	END CONN.
1	1	LEVEL SWITCH-1	LAA01CL101	350	1" SW
2	1	LEVEL SWITCH-2	LAA01CL102	350	1" SW
3	1	LEVEL GUAGE-1	LAA01CL301	2000	1" SW
4	1	LEVEL GUAGE-2	LAA01CL302	2000	1" SW
5	1	LEVEL TRANSMITTER-1	LAA01CL011	3600	1" SW
6	1	LEVEL TRANSMITTER-2	LAA01CL012	3600	1" SW
7	2	LEVEL SWITCH-3	LAA02CL101	350	1" SW
8	2	LEVEL GUAGE-3	LAA02CL301	2000	1" SW
9	2	LEVEL GUAGE-4	LAA02CL302	2000	1" SW
10	2	LEVEL TRANSMITTER-3	LAA02CL011	3600	1" SW

NOTES :-

1. PAINTING INSIDE --- NIL
OUT SIDE --- ONE COAT OF HEAT RESISTANT ALUMINIUM PAINT AS PER AA56134.
2. HYDRAULIC TEST: AS PER HY0852061 & IBR REGULATION 601.
3. DESIGN CODE: IBR REGULATIONS.
4. INSPECTION: BY IBR/DOB & BHEL/ BHEL NOMINATED TPIA.
5. ▽ REPRESENT SITE WELDING.
6. FOR WELD DETAILS REFER DRG. 2-163-10-00014, WPS. NO. WE006.

TYPE OF PRODUCT OR NAME OF CUSTOMER/PROJECT: OPGCL-BANHARPALLI 2X660MW

		DRN. B UMA CHD. UMESH MENON APPD. ACS		SIGN. DATE 25.04.15 09.05.15 09.05.15		NO. OF VAR. NA NO. OF ITEMS NA	
DEPT. HEE CODE 405		GRADE OF TOL. DIM. C/M/F NTS		SCALE NA		WEIGHT (KG) NA	
TITLE: DEAERATOR STANDPIPE ASSEMBLY. (FOR STAND PIPE I & II)				DRAWING NO. 2-163-19-11671 SHEET No. 1 NO OF SHEETS 1		REV. 100	