



AN ISO 9001  
COMPANY

Bharat Heavy Electricals Limited  
(A Govt. of India Undertaking)  
High Pressure Boiler Plant, Tiruchirappalli 620 014, India  
Phone: (0431) 2577378  
Fax: (0431) 2520719  
e mail : rrvic@bheltry.co.in

Ref : 2661500161 /75  
Date: 22.05.2015


**CORRIGENDUM No. 1**

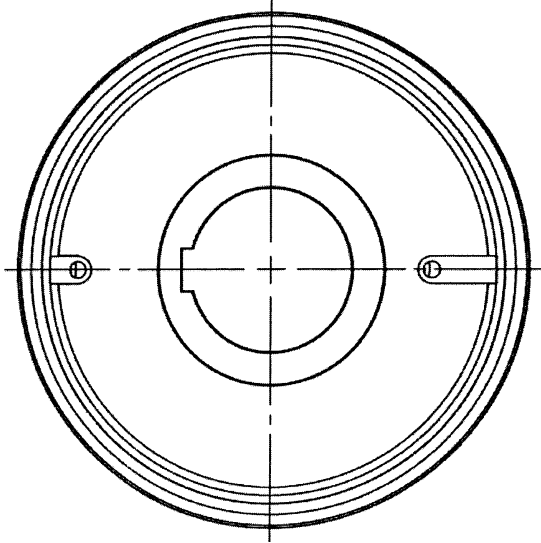
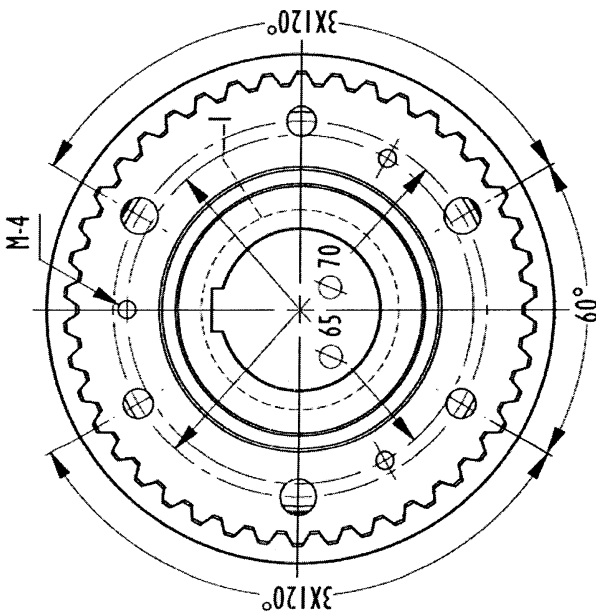
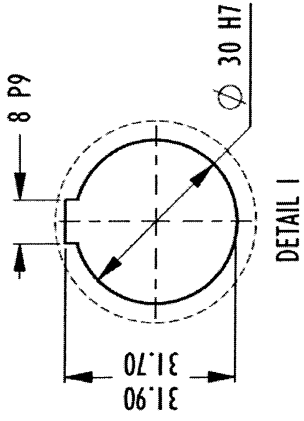
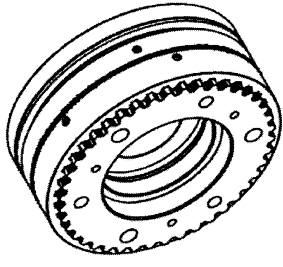
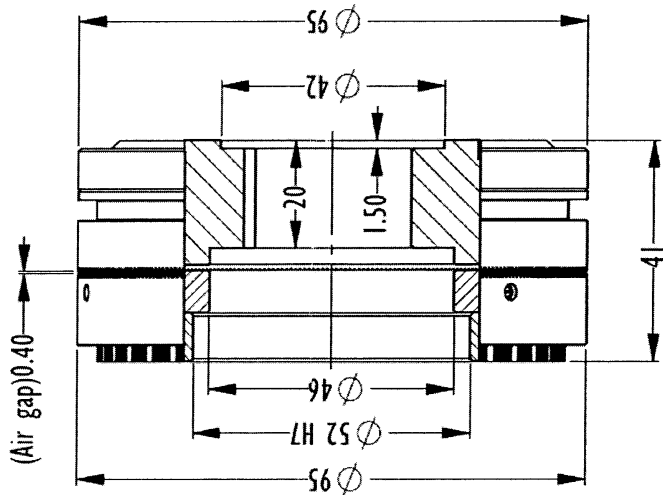
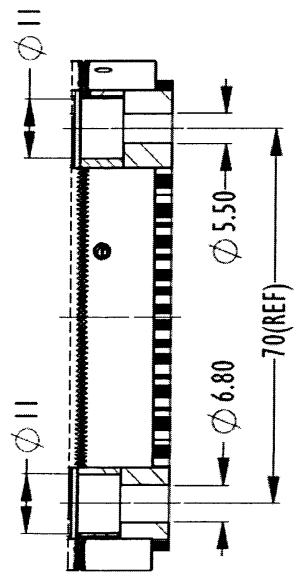
**With reference to BHEL enquiry ref: 2661500161 - 75 Dt. 18.05.2015, hosted in BHEL & NIC Portal on 19.05.2015 vide reference: NIT – 22560 , for Electromagnetic clutch for BFCV15 and L45 machines**

**In addition to previous tender documents drawings for Electromagnetic twin clutch & Electromagnetic slip ring type rotary motion teeth clutch are attached for the relevant tender.**

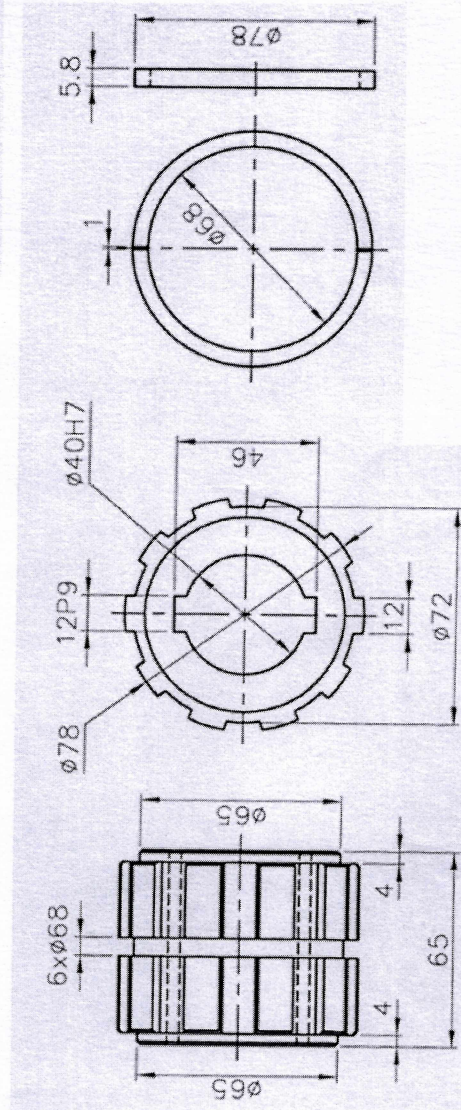
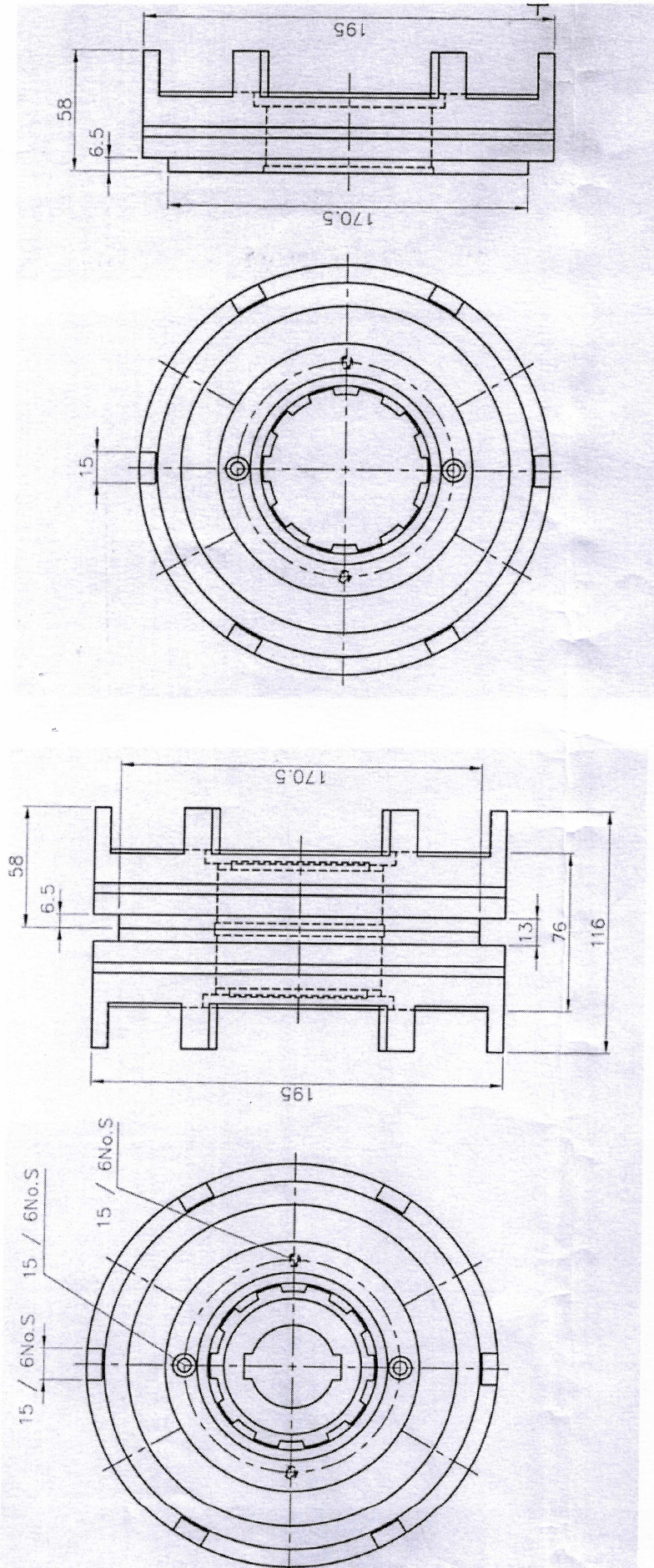
Please submit your offer within the due date & time.

All other terms & conditions remain same.

  
R. V. Ravichandran  
Purchase Manager  
BHEL, Tiruchirappalli



ITEM no 10 - ELECTROMAGNETIC SLIP RING TYPE ROTARY MOTION TEETH CLUTCH.



ITEM NO 20 - ELECTROMAGNETIC TWIN CLUTCH