

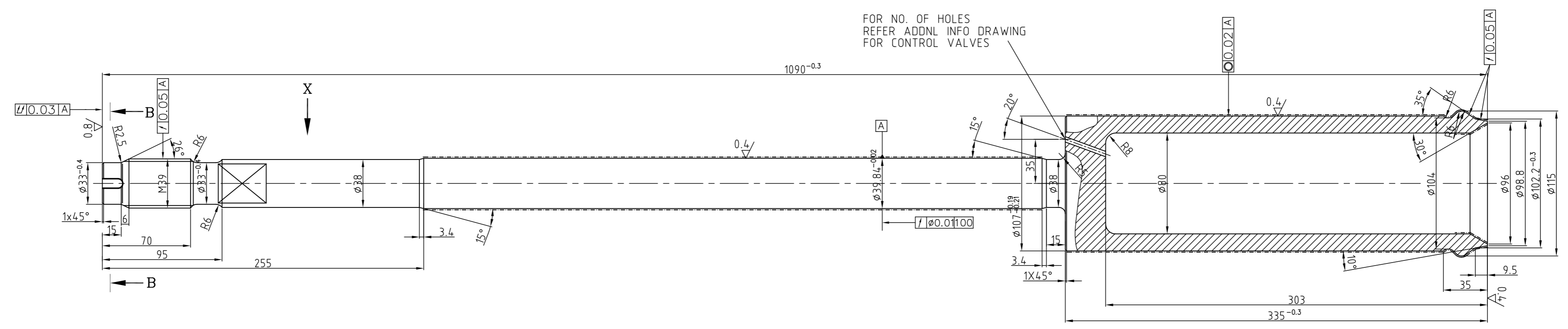
DRG. NO. 2-305-41-00065

SHT. 1 OF 1

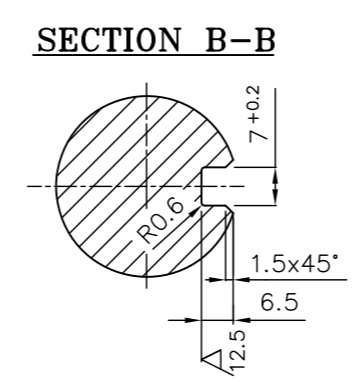
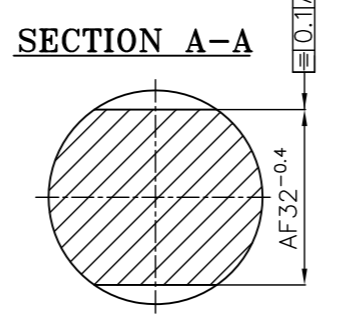
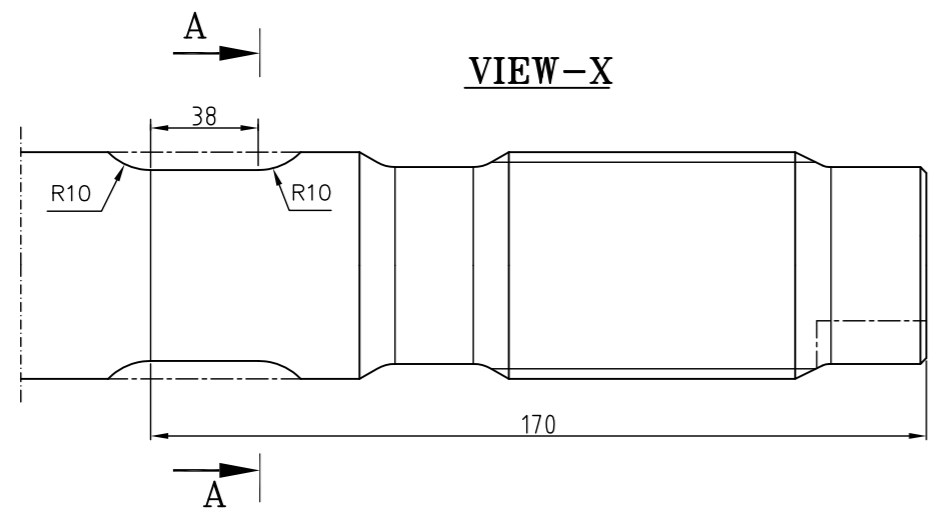
3.2 // 0.8 // 0.4 // 12.5 //

THE INFORMATION ON THIS DOCUMENT IS THE PROPERTY OF BHARAT HEAVY ELECTRICALS LIMITED. IT MUST NOT BE USED DIRECTLY OR INDIRECTLY IN ANY WAY DETRIMENTAL TO THE INTEREST OF THE COMPANY

GENERAL DIMENSIONAL LIMITS, FITS & TOLERANCES AS PER HY0230261



FOR NO. OF HOLES REFER ADDNL INFO DRAWING FOR CONTROL VALVES



NOTE:
MIN CCP COATING THICKNESS SHALL BE 150 MIC AFTER FINAL GRINDING.

		TO BE STELLITED	02
		TO BE NITRIDED	01
		Chromium Carbide Coating	00
HARDNESS	LAYER THICKNESS	SURFACE MATERIAL	VAR

ITEM NO.	DESCRIPTION	DRAWING NO.	MATL. CODE	UNIT WT.
			MATL. SPECN.	QTY.

TYPE OF PRODUCT OR NAME OF CUSTOMER/PROJECT

BHARAT HEAVY ELECTRICALS LTD. HYDERABAD	NAME	SIGN.	DATE	NO. OF VAR.
	DRN. SG		17.10.2013	
	CHD. KHS		17.10.2013	
APPD. KHS		17.10.2013	-N.A.-	

DEPT. I.T.D.	UNTO. DIM GR.	SCALE	WEIGHT (KG)	REF. TO ASSY. DRG.	ITEM NO.	NO. OF ITEMS
415	✓/M/H	1:2	18.5	-N.A.-	-N.A.-	-N.A.-
TITLE			CARD CODE	DRAWING NO.	REV.	
VALVE SPINDLE 40				2-305-41-00065	02	
				SHT. No	NO. OF SHT.	
				1	1	

INVENTORY NO	SIGN. AND DATE	REF. DRG. NO.	COMPUTER FILE NAME				
REV.	DATE	ALTERED	SG	REV.	DATE	ALTERED	SG
02	01.01.2015	CHD/APPD	KHS	01	17.12.2014	CHD/APPD	KHS
ZONE		NOTE ADDED.		ZONE		LENGTH CHANGED FROM 1099 TO 1090	