



An ISO 9001
Company

Bharat Heavy Electricals Limited

(High Pressure Boiler Plant)

Tiruchirappalli – 620014, TAMIL NADU, INDIA

MAINTANANCE SERVICE

TITLE CORRIGENDUM for NIT_24407	Phone: +91 431 2577022/2577074 Fax : +91 431 252 0719 Email : mathan@bheltry.co.in
--	--

	Reference Number: Enquiry 1801501073	Enquiry Date: 15.09.2015	Due date for submission of quotation: 16.10.2015
You are requested to quote the Enquiry number date and due date in all your correspondences. This is only a request for quotation and not an order			

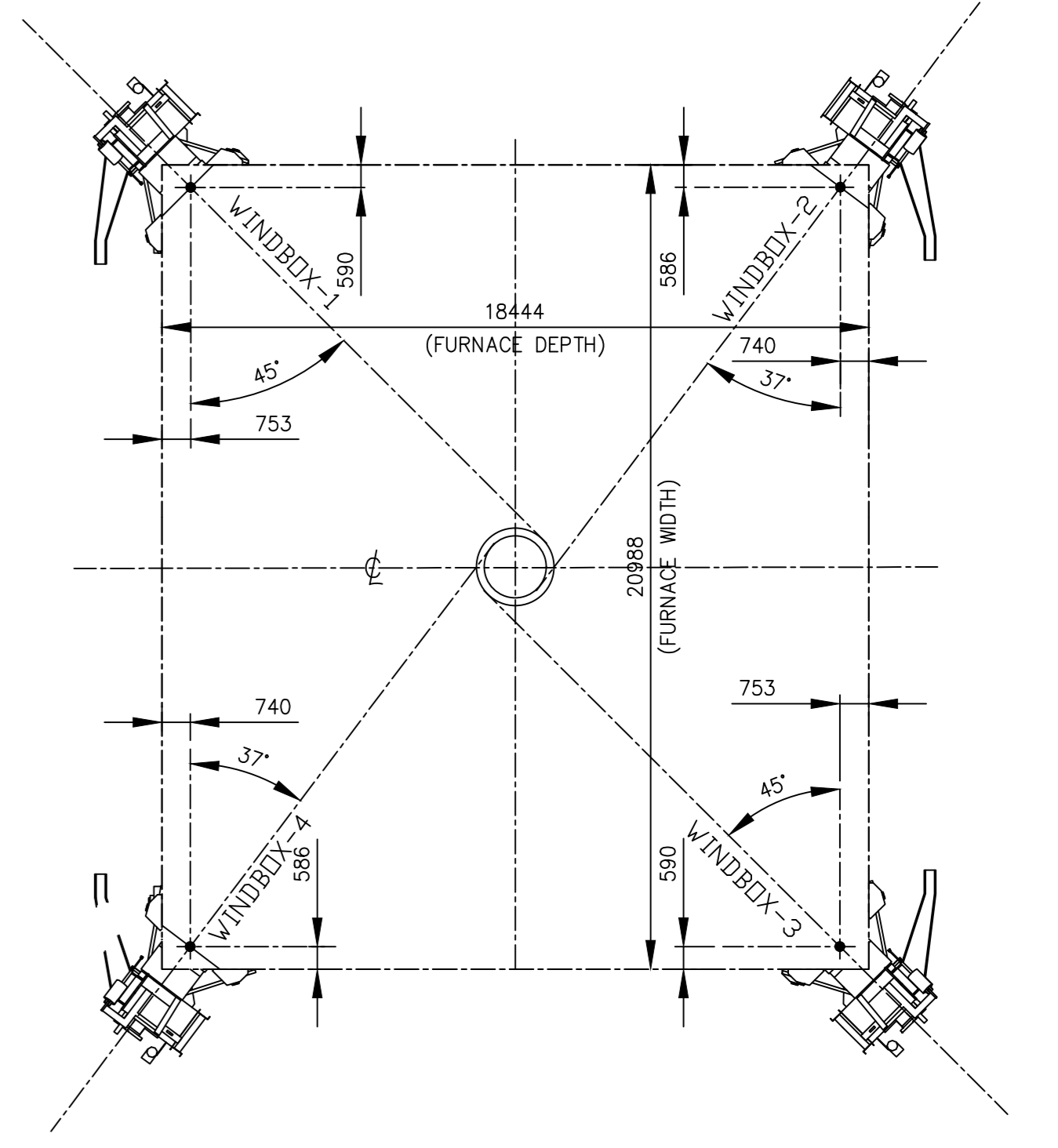
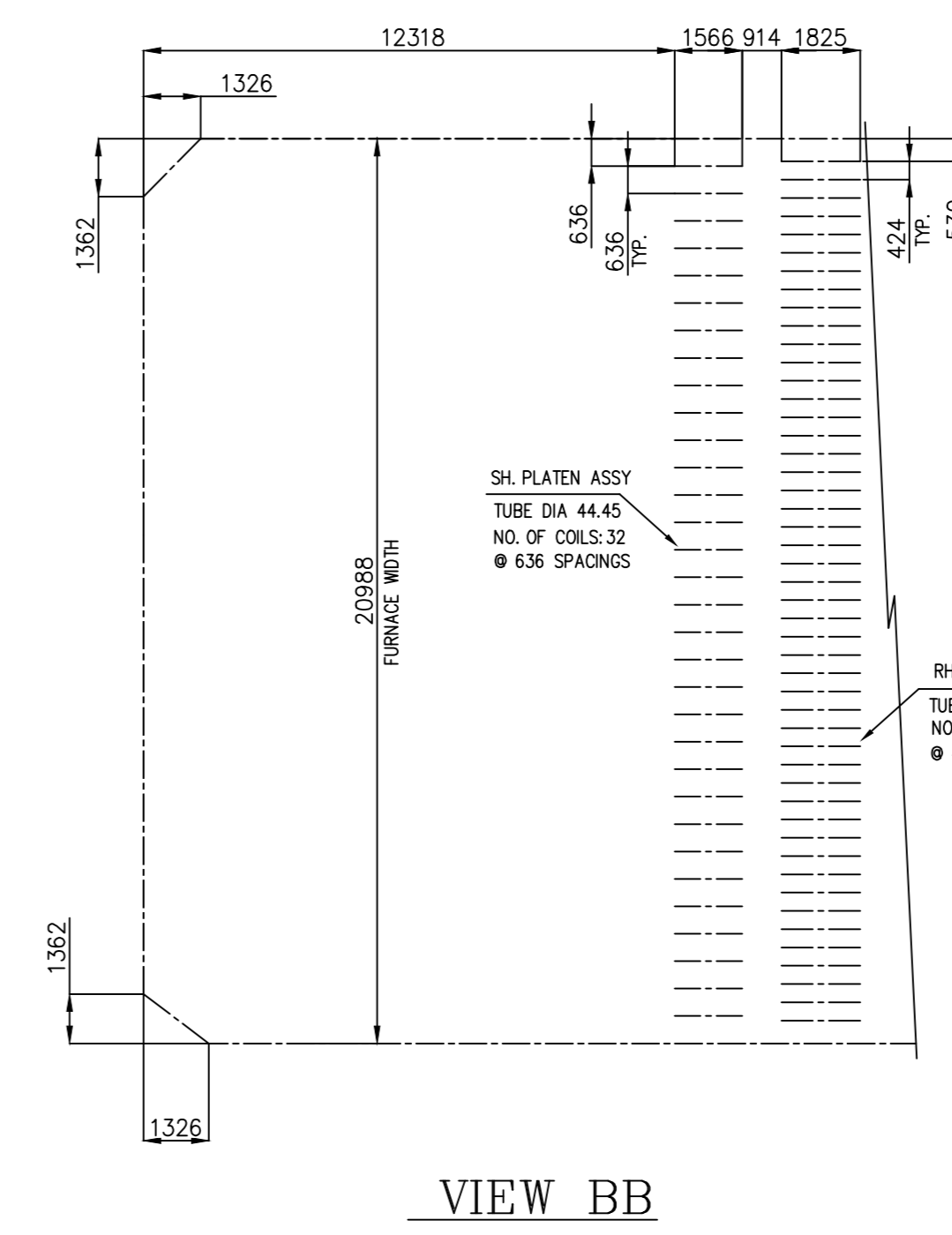
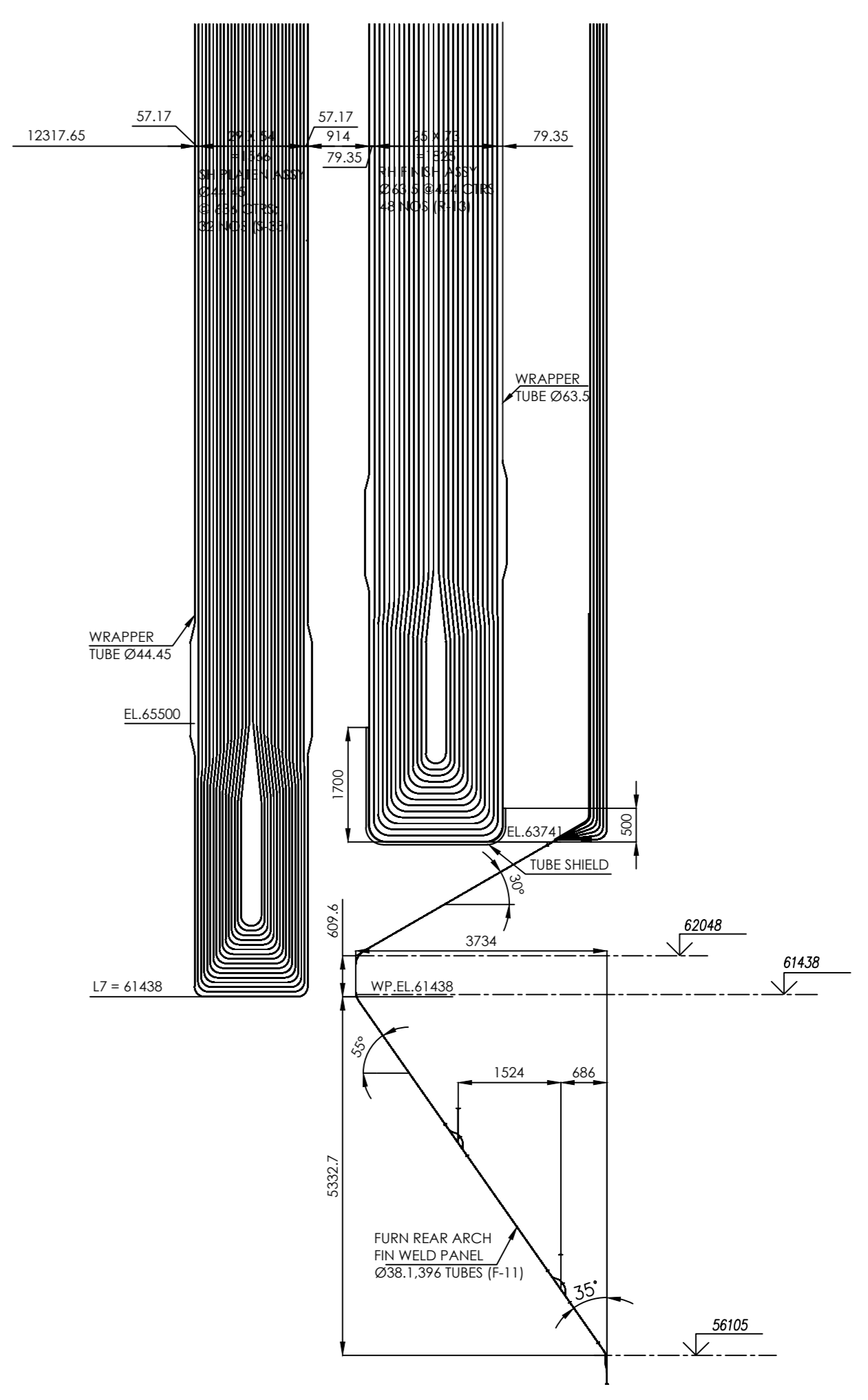
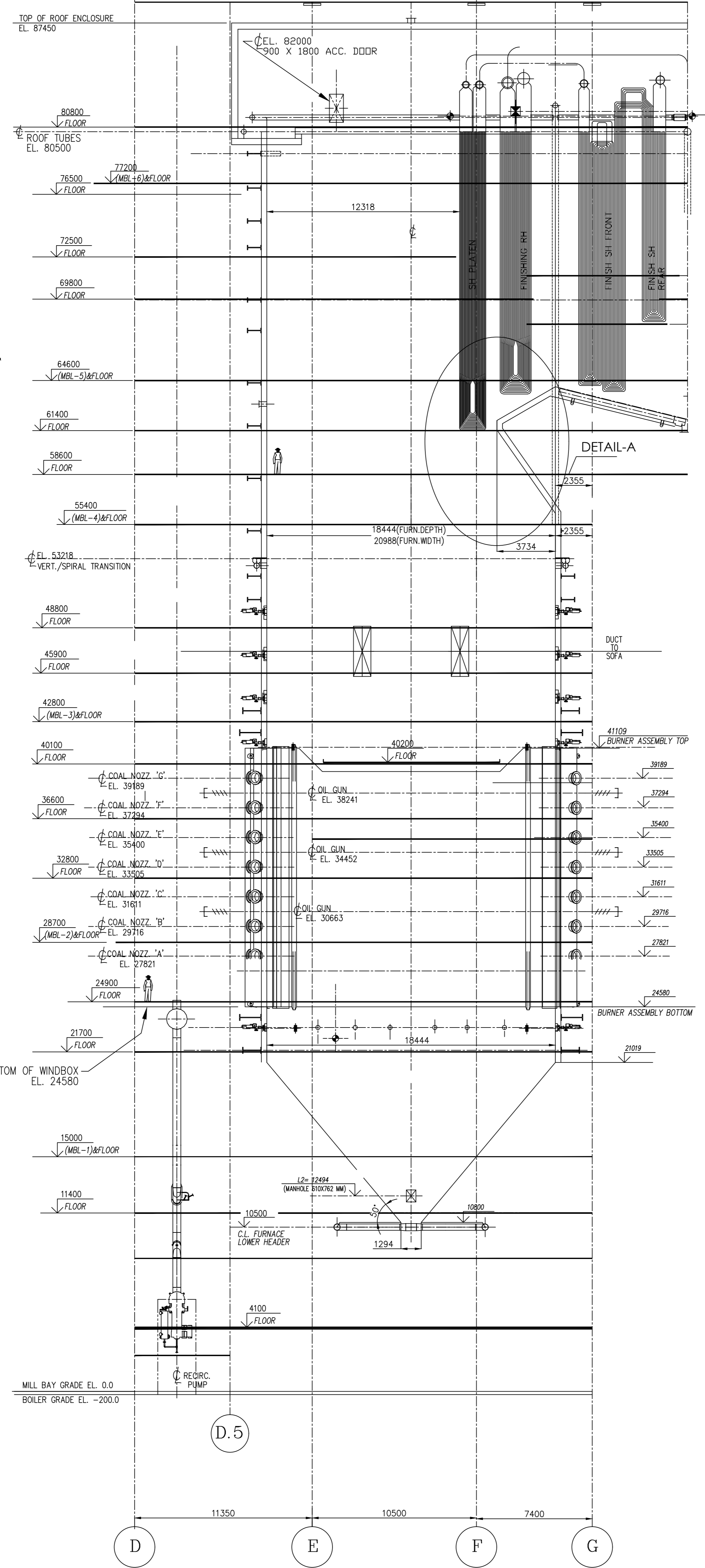
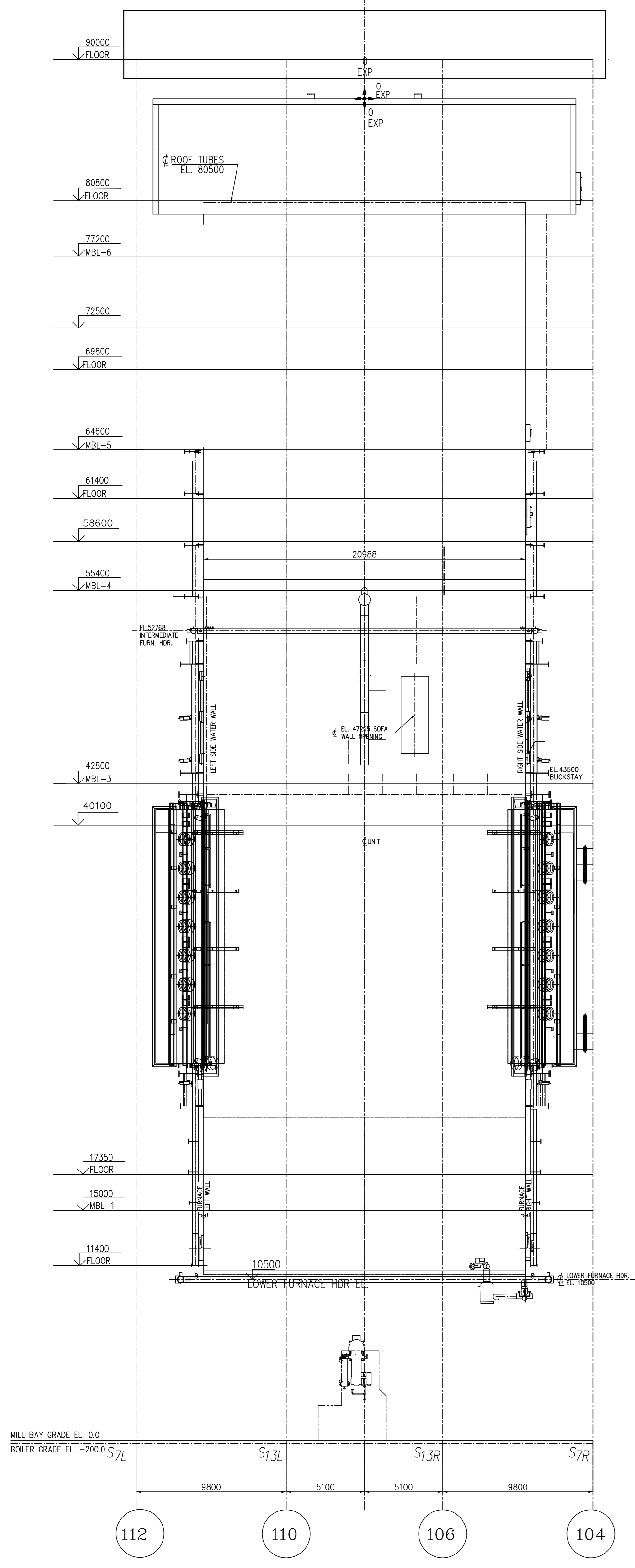
CORRIGENDUM

Revised Drawing 0-99-501-40283/Rev 01

Vendor shall note the above and requested to quote accordingly.

BHEL/Trichy is looking for empanelment of new vendors for supply of "Quick Erect Scaffolding"

BHEL commercial terms & conditions with Price Bid formats and all annexure can be downloaded from BHEL web site http://www.bhel.com or from the Government tender website http://tenders.gov.in (public sector units) Bharath Heavy Electricals Limited) under enquiry reference " 1801501073 "	
Tenders should reach us before 14:00 hours on the due date Technical bid will be opened at 14:30 hours on the due date Tenders would be opened in presence of the tenderers who have submitted their offers and who may like to be present.	Yours faithfully, For Bharath Heavy Electricals Limited



CUSTOMER NO. 1713

PROJECT: IB THERMAL POWER STATION, BANHARPALI
 2 x 660 MW UNITS 3&4

OWNER: ODISHA POWER GENERATION CORPORATION LIMITED

OWNER'S CONSULTANT: DEVELOPMENT CONSULTANTS PVT. LTD.
 CONSULTING ENGINEERS
 KOLKATA - MUMBAI - CHENNAI - NEW DELHI

BHARAT HEAVY ELECTRICALS LTD
 BOILER PLANT, TIRUCHIRAPALLI - 620014

SN	DATE	ALTD	CHD	APPD	REPT	NAME	DATE
01	28/09/2015				DESIGN	S.T	05-06-15
					CHKD	S.V.K	05-06-15
					APPR	E.V.KUMAR	05-06-15

TITLE: FURNACE ARRANGEMENT FOR QUICK ERECT SCAFFOLD

DEPT. SCALE NTS
 SIGN: [Signature]

DRAWING NO: 0-99-501-40283
 SHEET 10F1 REV. 01
 SIZE-A0

COPY RIGHT AND CONFIDENTIAL
 The information on this document is the property of Bharat Heavy Electricals Limited
 It must not be used directly or indirectly in any way detrimental to the interest of the company.
 COMPUTER FILE NAME: DRG_FILE_NAME