



Bharat Heavy Electricals Limited

(High Pressure Boiler Plant)

Tiruchirapalli – 620014, TAMIL NADU, INDIA

An ISO 9001 Company

MATERIALS MANAGEMENT

TITLE CORRIGENDUM-I for NIT-24561	Phone: +91 431 2577025 Fax : +91 431 252 0719 Email : dcm@bheltry.co.in / ssm@bheltry.co.in
--------------------------------------	---

Reference Number: Enquiry 2661500391	Enquiry Date: 30.09.2015	Due date for submission of quotation: 24.10.2015
---	-----------------------------	---

You are requested to quote the Enquiry number date and due date in all your correspondences. This is only a request for quotation and not an order

CORRIGENDUM- I

Details of Corrigendum

The following technical drawings are to be refered against Enquiry Sl. No. 110

331015510000 Two way Brass connector with porcelain base as per drawings 4E-20C-60-25342, 4E-20C-60-25343, 4E-20C-60-25344 (See the attachment)

All other terms and conditions as published in the **NIT-24561** remain unaltered.

commercial terms & conditions with Price Bid formats and all annexure can be downloaded from BHEL web site <http://www.bhel.com> or from the Government tender website <http://tenders.gov.in> (public sector units) Bharat Heavy Electricals Limited) under enquiry reference "2661500391"

Tenders should reach us before 14:00 hours on the due date Technical bid will be opened at 14:30 hours on the due date Tenders would be opened in presence of the tenderers who have submitted their offers and who may like to be present.

Yours faithfully,

For Bharat Heavy Electricals Limited

ARUN PRASATH. N

Senior Engineer

Purchase (CP & SP) / MM / RM

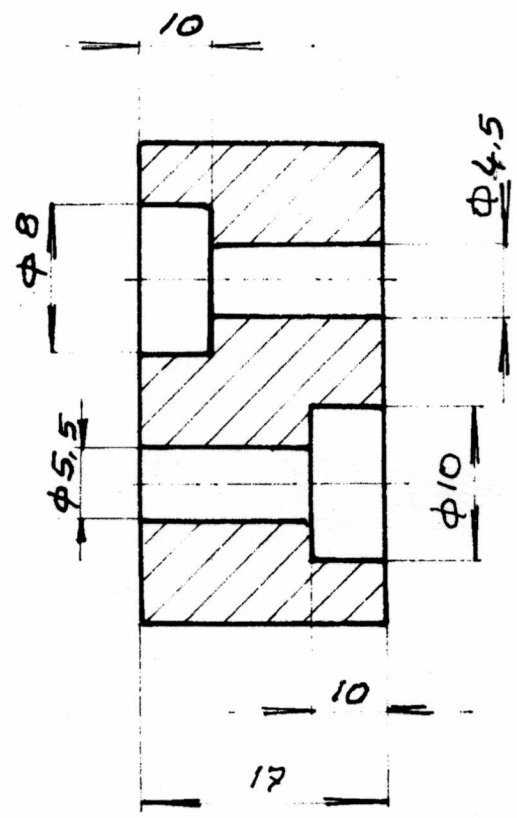
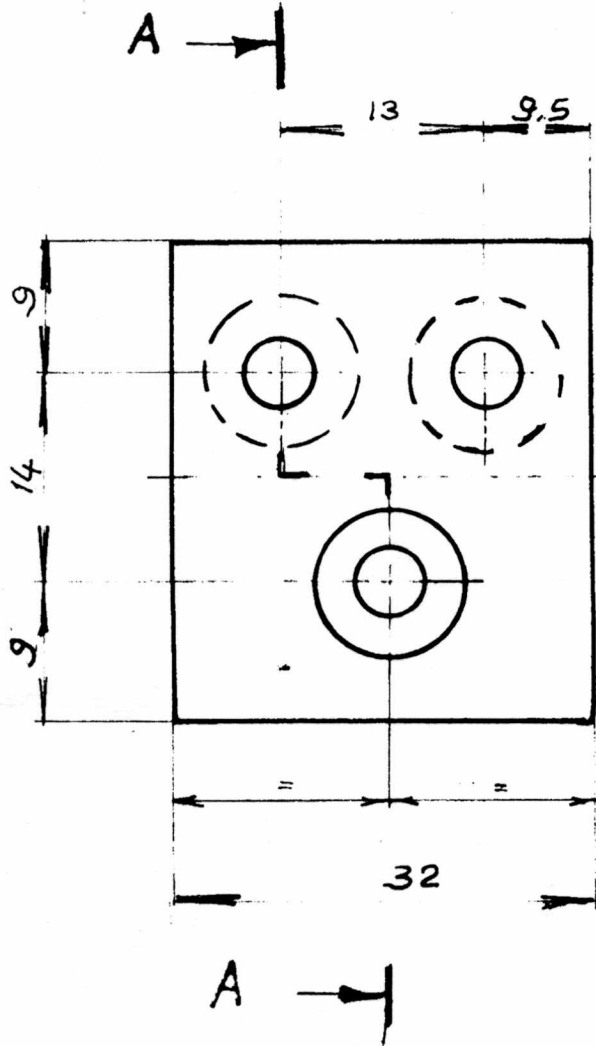
BHEL, TIRUCHY - 620 014.

Caution

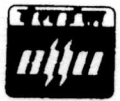
THIS DRAWING IS OUR SOLE PROPERTY AND SHOULD NOT BE USED IN ANY FORM FOR ANY OTHER PURPOSE WITHOUT THE WRITTEN PERMISSION OF BHARAT HEAVY ELECTRICALS LTD., TIRUCHIRAPALLI - 620 014.

3,2

39-607 A



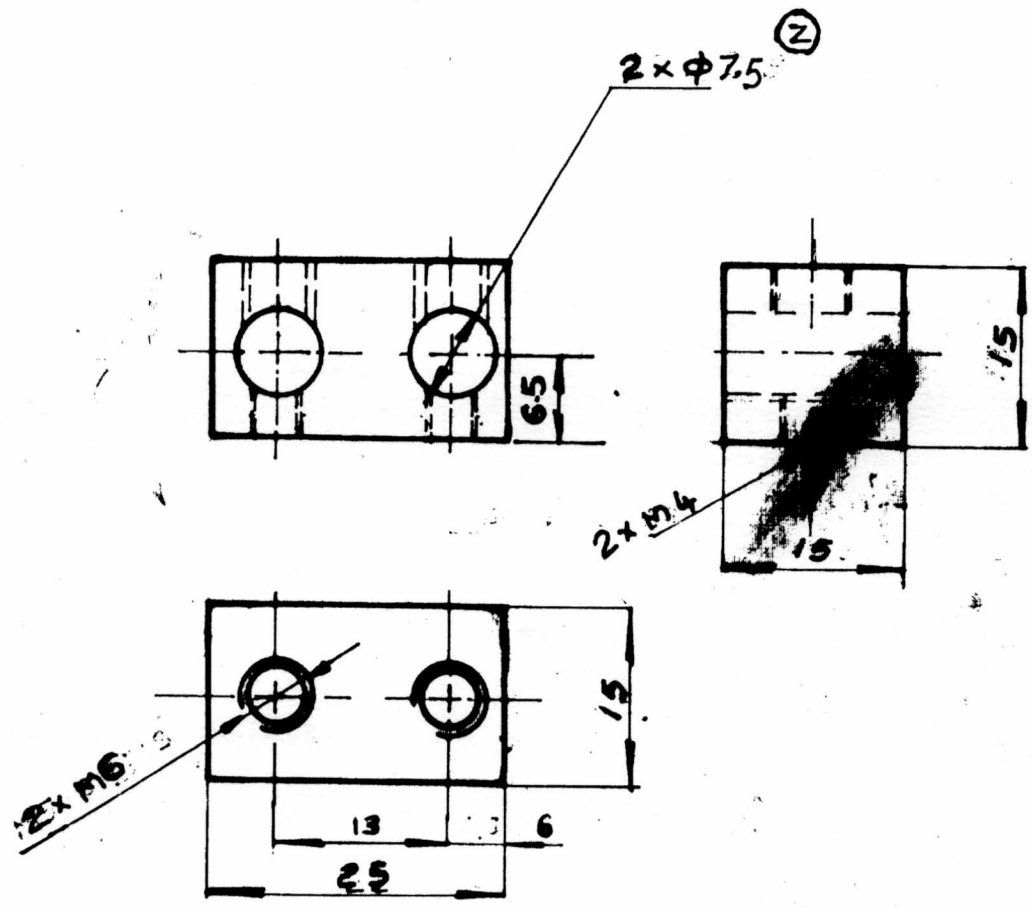
SEC-AA

17 X 32 X 32		UNGLAZED PORCELAIN	0.04	4-E-20c-25344	3	
No. of pcs.	DESCRIPTION	MATERIAL	STD/BPS	NET WT(KG)	DRAWING No.	Item No.
REFERENCE:		ALTERATIONS	EC-00 EC-60	DCN. REF	DATE	SIGN.
SCALE	DRAWN	<i>R. Ramamathy</i>				
2:1	CHECKED	<i>R. Ramamathy</i>				
	APPROVED	<i>[Signature]</i>				
	DATE	02-09-94				
MACHINE: CANTEEN EQUIPMENT		TYPE: CANTEEN		Total wt. (kg.)		
TITLE		DRAWING No.		REV.		
 <p>PORCELAIN BASE [FOR FRYING PAN]</p>		<p>4-E-20c⁶⁰-25342</p>				
No. of Sheets:		Sheet No.				

THIS DRAWING IS OUR SOLE PROPERTY AND SHOULD NOT BE USED IN ANY FORM OR FOR ANY OTHER PURPOSE WITHOUT THE WRITTEN PERMISSION OF THE HEAVY ELECTRICAL LAB, WASHINGTON - 20344.

32

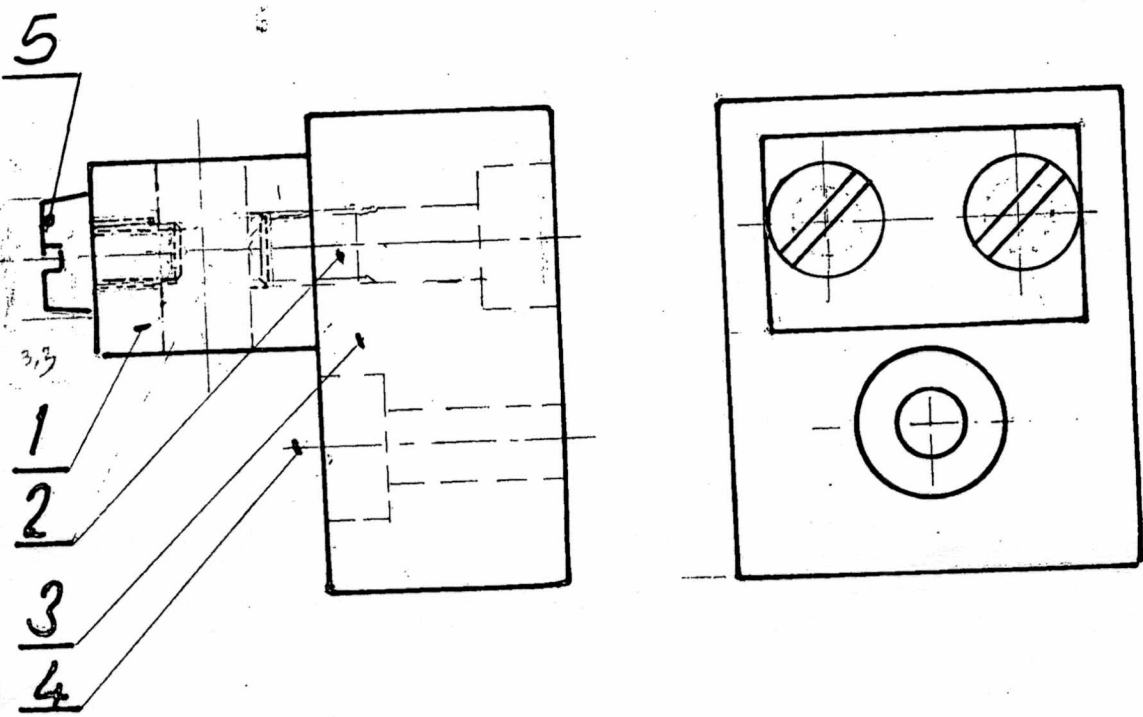
39-607 A



7		BRASS	153488	0.05	4-E-20c-25344	1.
No. of	DESCRIPTION	MATERIAL	STD/SPS	REV. DATE	DRAWING No.	REV.
REFERENCE:		ALTERATIONS	EE-00 EC-60	DATE	SIGN.	
SCALE	DRAWN	HOLE ϕ 7.5 WAS ϕ 6				
2:1	CHECKED					
	APPROVED					
	DATE	02 03 94				
	MACHINE: CANTEN EQUIPMENT	TYPE: CANTEN	Total wt. (kg.)			
	TITLE	DRAWING No.		REV.		
	TWO TERMINAL CONNECTOR	4-E-20c-25343				

CAUTION

THIS DRAWING IS OUR SOLE PROPERTY AND SHOULD NOT BE USED IN ANY FORM FOR ANY OTHER PURPOSE WITHOUT THE WRITTEN PERMISSION OF BHARAT HEAVY ELECTRICALS LTD. TIRUCHIRAPALLI-14



SCANNED

2	CHEESE HEAD SCREW M6-12		BRASS	IS: 3488			5
4	CHEESE HEAD SCREW M5-15		CADMIUM PLATED	BPS: 41241 IS: 1366			4
1	PORCELAIN BASE		UNGLAZED PORCELAIN		0.04	4-E-20c-25342	3
2	CHEESE HEAD SCREW M4-10 ^{6mm} _{3/16}		CADMIUM PLATED	BPS: 41241 IS: 1366			2
1	TWO TERMINAL CONNECTOR		BRASS	IS: 3488	0.05	4-M-20c-25331	
					0.09		
NO. OF PIECES	DESCRIPTION	SEMI-PRODUCT	FINAL MATERIAL	INITIAL MATERIAL	NET WT. (KGS)	DRAWING NO.	ITEM NO.
REMARKS					TOTAL NET WT (KG)	CC 29 EC 60	
SCALE	DRAWN	REFERENCE	ALTERATIONS	DCN REF	DATE	SIGNATURE	INDEX
2:1	M. M. M. M. M.		ITEM NO 5				(2)
	CHECKED		M6 WAS M5				
	APPROVED		MATL: BRASS				
	STDS. OFFICER		WAS S.S				
	DATE	2.9-94	TYPE: CANTEEN	INV. NO.			
MACHINE CANTEEN EQUIPMENT			DRAWING NO.				
TITLE: TWO TERMINAL (FOR RICE BOILER) CONNECTOR ASSY (FOR FRYING PAN)			4-E-20c ⁶⁰ -25344				
NO. OF SHEETS			SHEET NO.				

INDEX No. 39-607