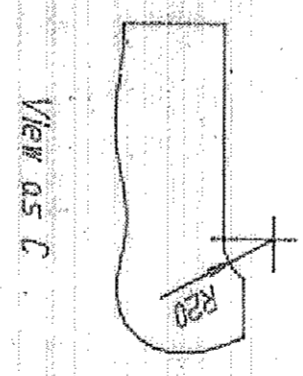
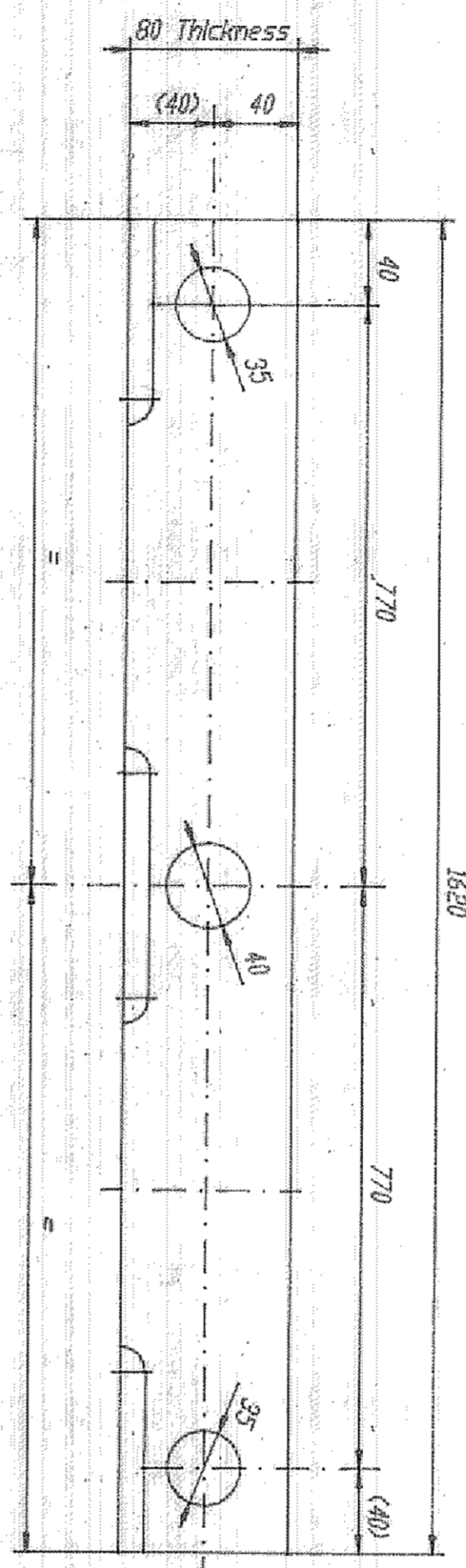
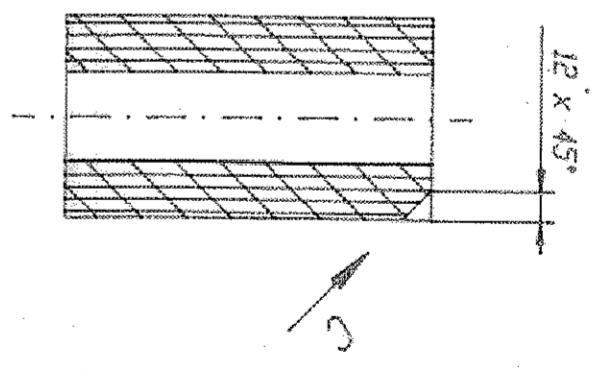
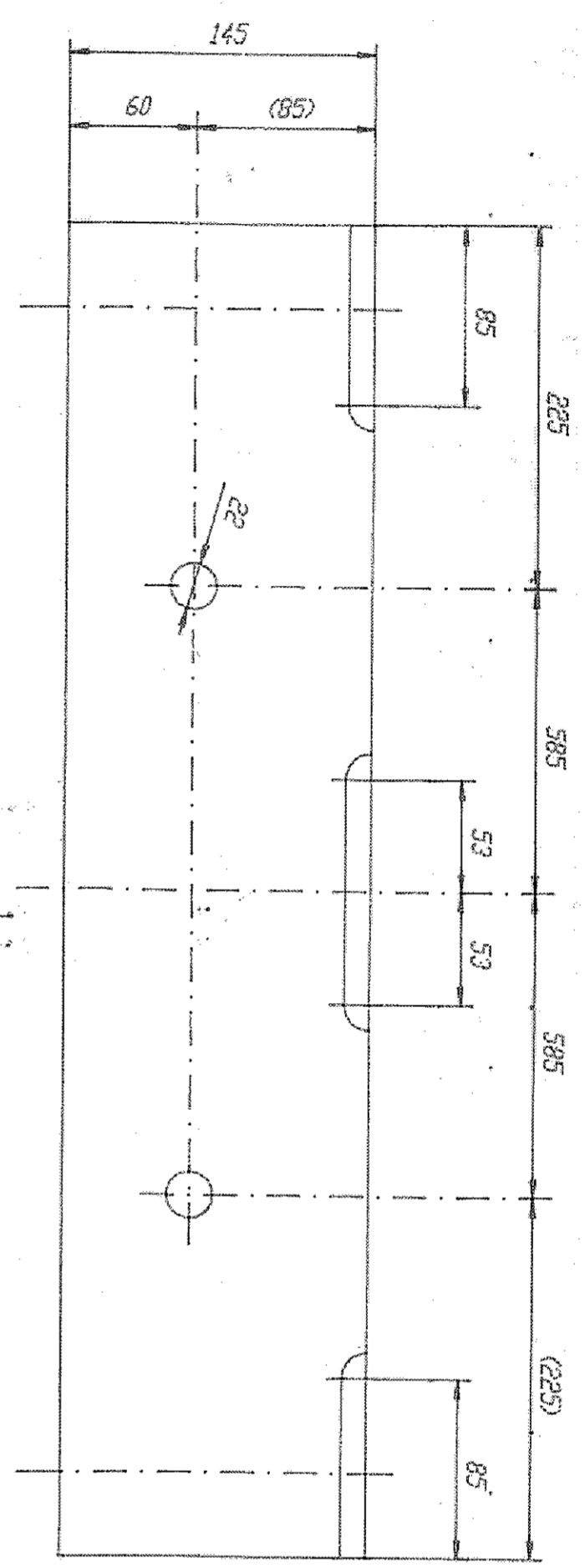


P1



001

REV	DATE	ALTERED	CHECKED
1	1	1	1
2	2	2	2
4	4	4	4

REV	DATE	ALTERED	CHECKED
1	1	1	1
2	2	2	2
4	4	4	4

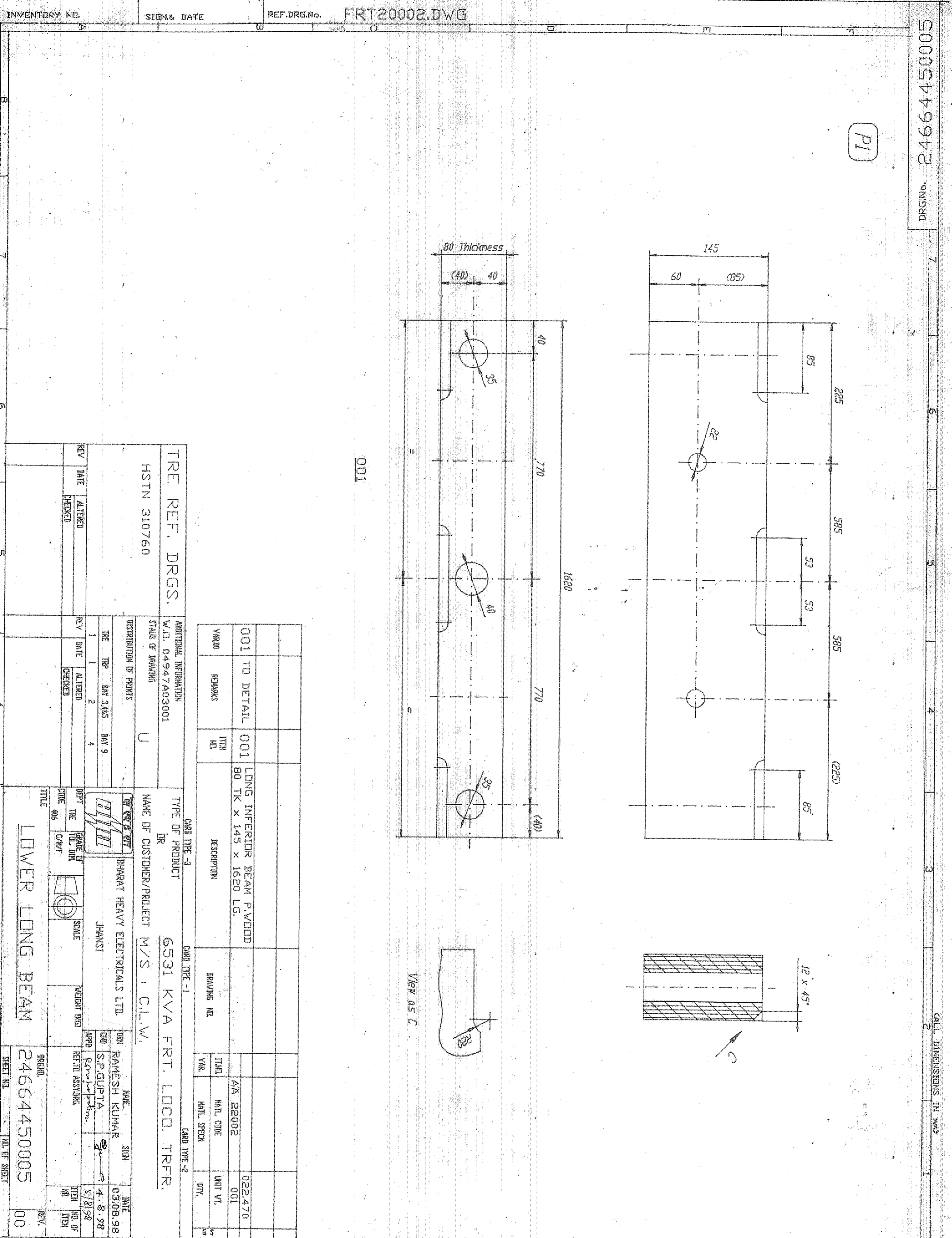
REV	DATE	ALTERED	CHECKED
1	1	1	1
2	2	2	2
4	4	4	4

REV	DATE	ALTERED	CHECKED
1	1	1	1
2	2	2	2
4	4	4	4

REV	DATE	ALTERED	CHECKED
1	1	1	1
2	2	2	2
4	4	4	4

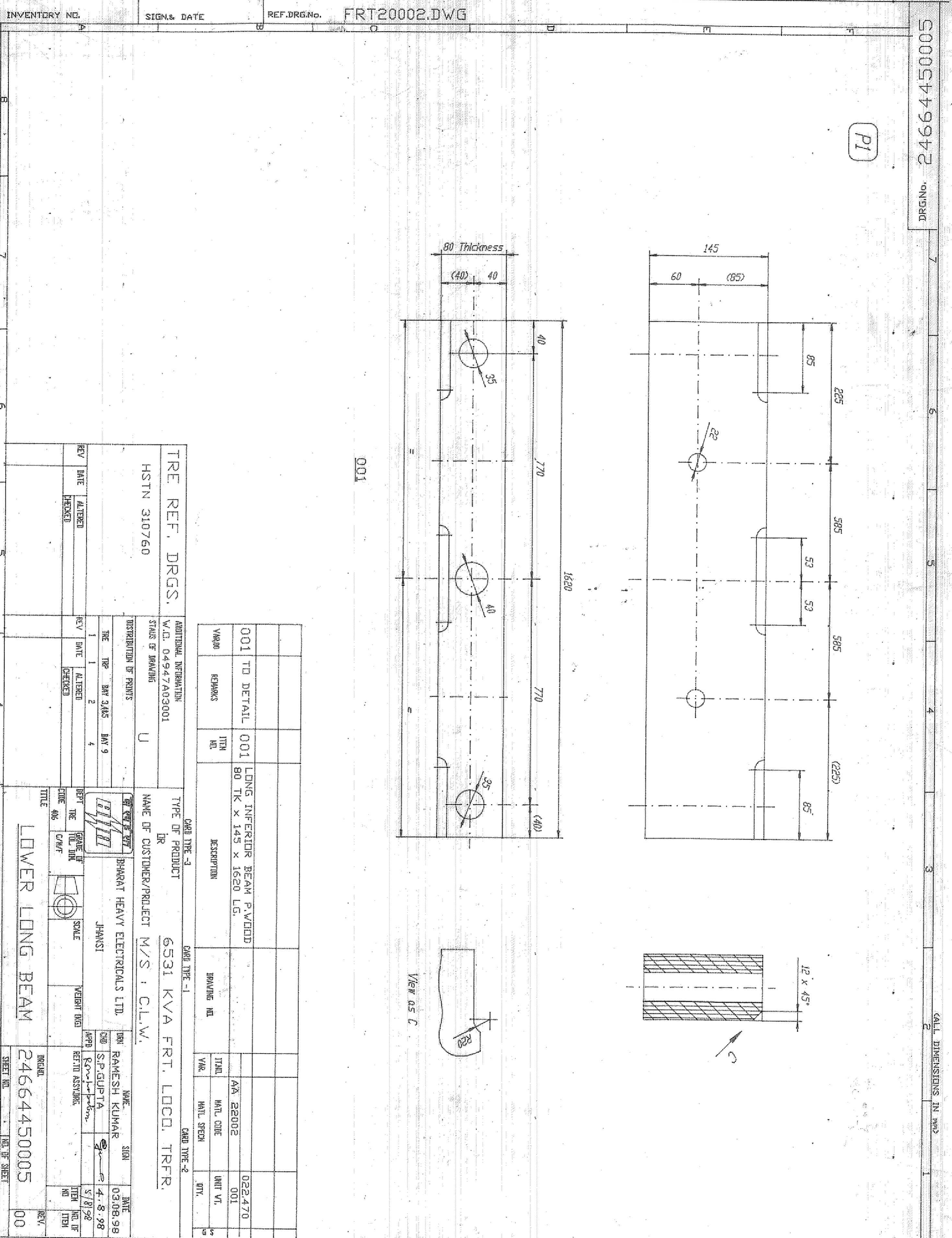
REV	DATE	ALTERED	CHECKED
1	1	1	1
2	2	2	2
4	4	4	4

REV	DATE	ALTERED	CHECKED
1	1	1	1
2	2	2	2
4	4	4	4



REV	DATE	ALTERED	CHECKED
1	1	1	1
2	2	2	2
4	4	4	4

REV	DATE	ALTERED	CHECKED
1	1	1	1
2	2	2	2
4	4	4	4



REV	DATE	ALTERED	CHECKED
1	1	1	1
2	2	2	2
4	4	4	4