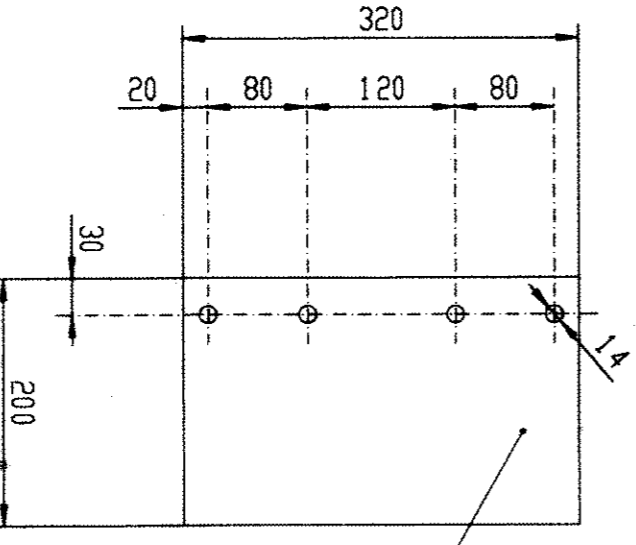
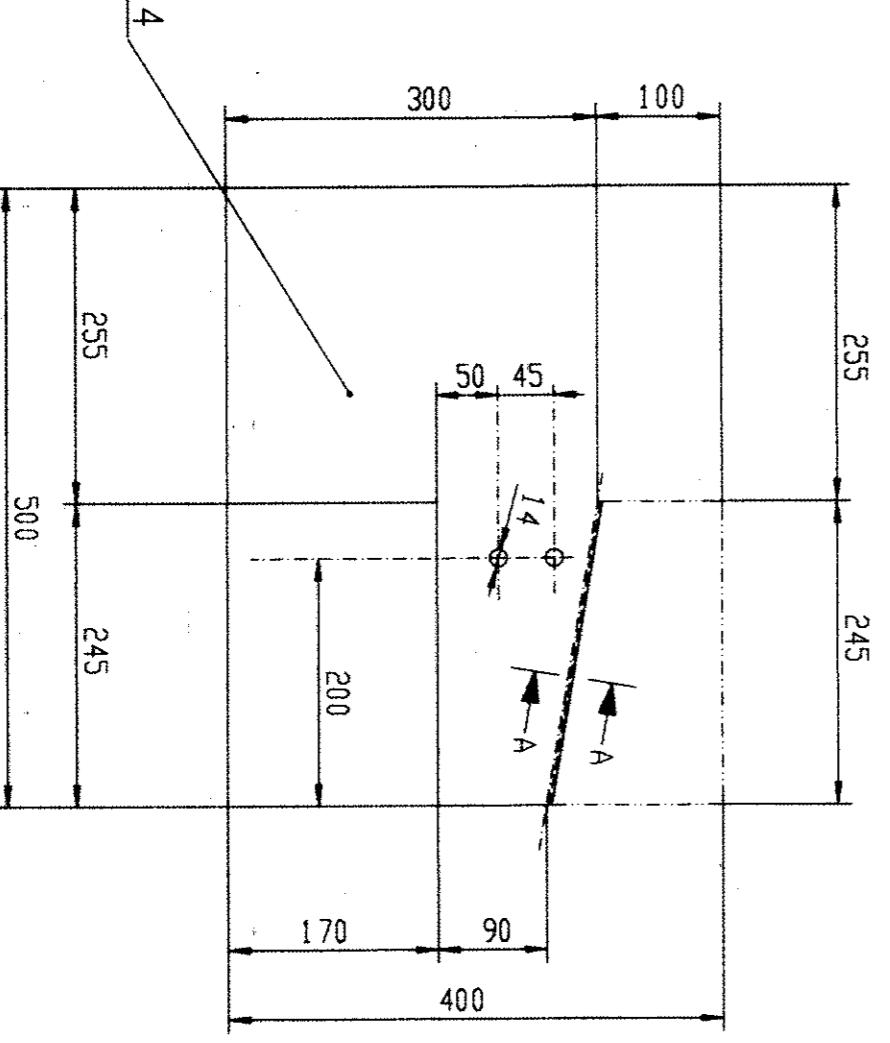
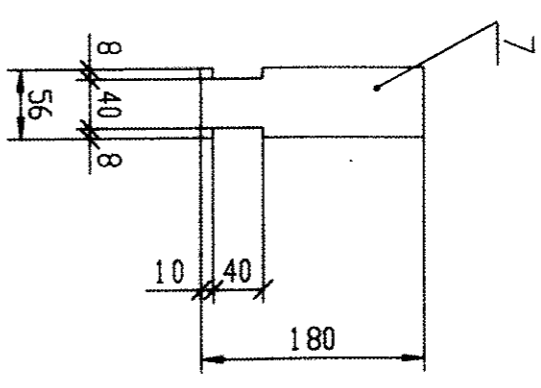
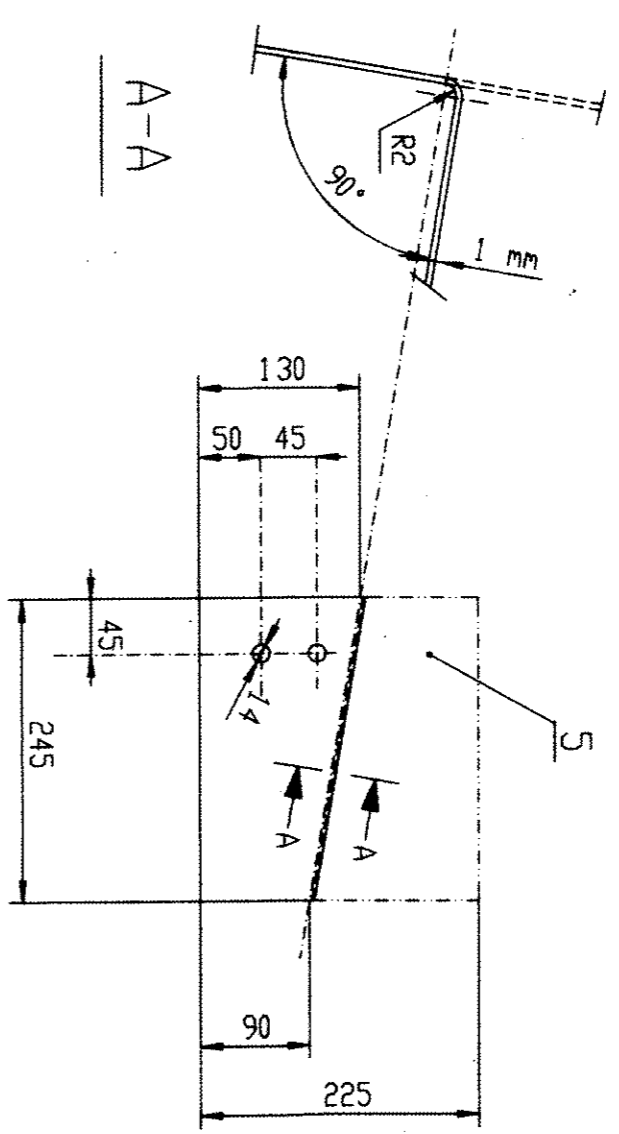
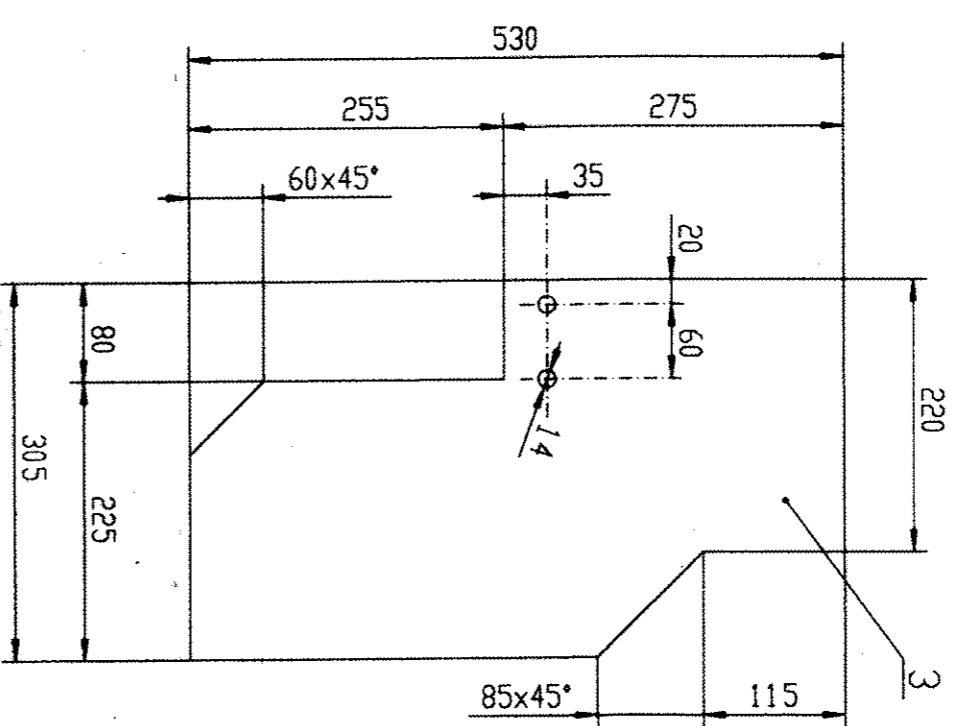
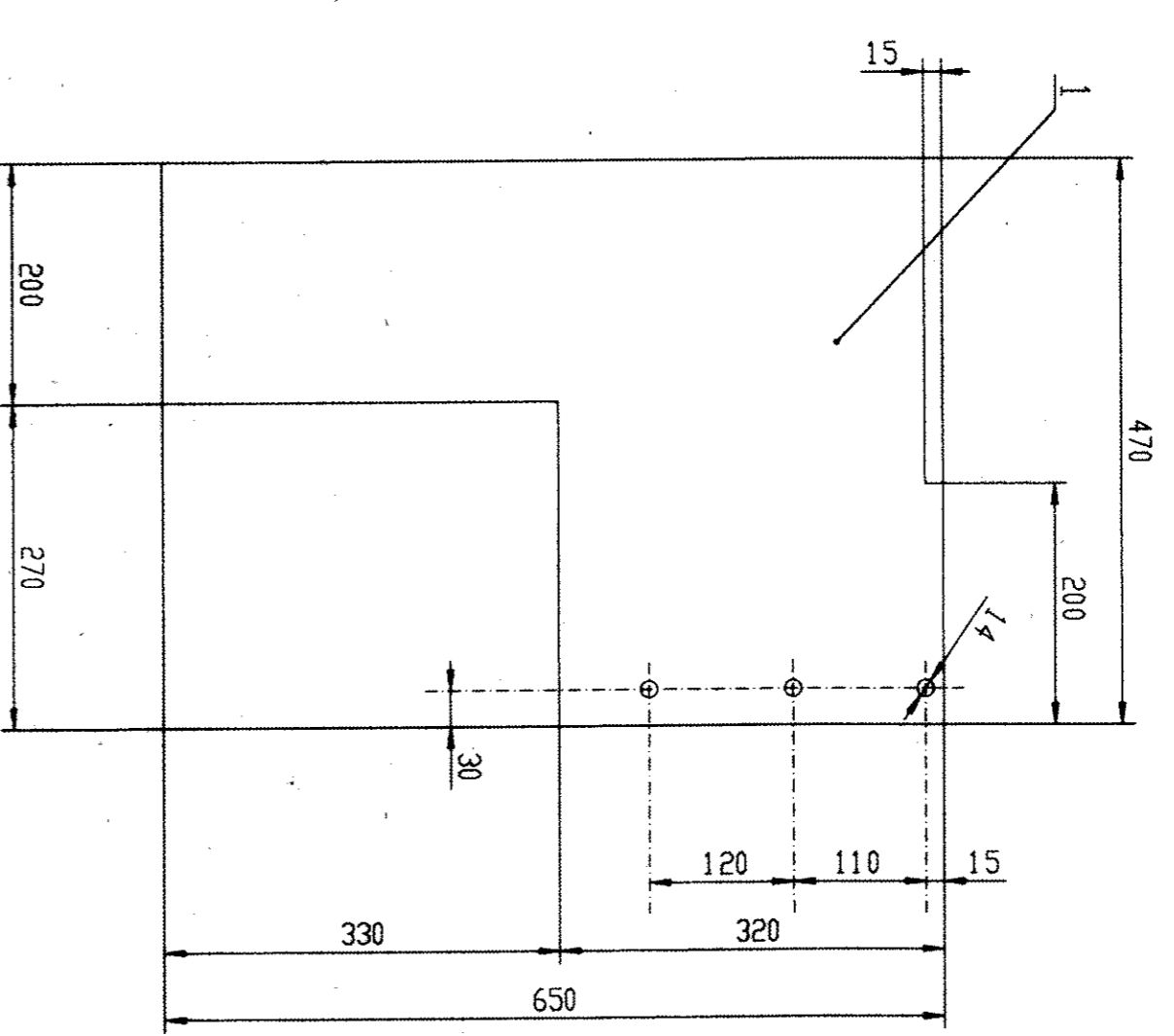


DRG. NO. 2466650005

(ALL DIMENSIONS IN MM)



NOTE :
ALL ITEMS ARE COVERED VIDE INDENT NO.
240680273 ANNEXURE SL. NO. 8a TO 8f.

VAR. NO.	REMARKS	ITEM NO.	DESCRIPTION	DRAWING NO.	IND. VAR.	MATL. CODE	UNIT	QTY.
001	TO DETAIL	7	SCREEN SOLID GREY P.BD. 1 TK x 56 x 180 LG.		AA 2111705012		000.010	
001	TO DETAIL	6	SCREEN SOLID GREY P.BD. 1 TK x 225 x 245 LG.		AA 2111705012		000.060	
001	TO DETAIL	5	SCREEN SOLID GREY P.BD. 1 TK x 400 x 500 LG.		AA 2111705012		000.150	
001	TO DETAIL	4	SCREEN SOLID GREY P.BD. 1 TK x 305 x 530 LG.		AA 2111705012		000.100	
001	TO DETAIL	3	SCREEN SOLID GREY P.BD. 1 TK x 200 x 320 LG.		AA 2111705012		000.050	
001	TO DETAIL	2	SCREEN SOLID GREY P.BD. 1 TK x 470 x 650 LG.		AA 2111705012		000.200	

TRE REF. DRGS.
HSTN 205438

ADDITIONAL INFORMATION
W/D. 04947A03001

TYPE OF PRODUCT
OR
NAME OF CUSTOMER/PROJECT

6531 KVA FRT. LOGD. TRFR.
M/S : C.L.W.

REV. DATE	ALTERED	REV. DATE	ALTERED	REV. DATE	ALTERED	REV. DATE	ALTERED	REV. DATE	ALTERED
	CHECKED		CHECKED		CHECKED		CHECKED		CHECKED

REV. DATE	ALTERED	REV. DATE	ALTERED	REV. DATE	ALTERED	REV. DATE	ALTERED	REV. DATE	ALTERED
	CHECKED		CHECKED		CHECKED		CHECKED		CHECKED

DEPT. CODE	TECH. CODE	GRADE OF UNIT.	SCALE	WEIGHT (KGS)	REF. TO ASSY DRG.	ITEM NO.
406			N.T.S.			

TRE TRP	BAY	BAY	BAY
3445	6	7	5

REV. DATE	ALTERED	REV. DATE	ALTERED
	CHECKED		CHECKED

DRN. CHD.	NAME	SIGN.	DATE
APPD	NAME SH. KUMAR		06.11.98

DRN. CHD.	NAME	SIGN.	DATE
APPD	JHANSI		27.8.98

DRN. CHD.	NAME	SIGN.	DATE
APPD	JHANSI		7/11

DRN. CHD.	NAME	SIGN.	DATE
APPD	JHANSI		7/11

DRN. CHD.	NAME	SIGN.	DATE
APPD	JHANSI		7/11

DRN. CHD.	NAME	SIGN.	DATE
APPD	JHANSI		7/11

DRN. CHD.	NAME	SIGN.	DATE
APPD	JHANSI		7/11

DRN. CHD.	NAME	SIGN.	DATE
APPD	JHANSI		7/11

DRN. CHD.	NAME	SIGN.	DATE
APPD	JHANSI		7/11

DRN. CHD.	NAME	SIGN.	DATE
APPD	JHANSI		7/11

DRN. CHD.	NAME	SIGN.	DATE
APPD	JHANSI		7/11

DRN. CHD.	NAME	SIGN.	DATE
APPD	JHANSI		7/11

DRN. CHD.	NAME	SIGN.	DATE
APPD	JHANSI		7/11

DRN. CHD.	NAME	SIGN.	DATE
APPD	JHANSI		7/11

DRN. CHD.	NAME	SIGN.	DATE
APPD	JHANSI		7/11

DRN. CHD.	NAME	SIGN.	DATE
APPD	JHANSI		7/11

DRN. CHD.	NAME	SIGN.	DATE
APPD	JHANSI		7/11

DRN. CHD.	NAME	SIGN.	DATE
APPD	JHANSI		7/11

DRN. CHD.	NAME	SIGN.	DATE
APPD	JHANSI		7/11

DRN. CHD.	NAME	SIGN.	DATE
APPD	JHANSI		7/11

DRN. CHD.	NAME	SIGN.	DATE
APPD	JHANSI		7/11

DRN. CHD.	NAME	SIGN.	DATE
APPD	JHANSI		7/11

DRN. CHD.	NAME	SIGN.	DATE
APPD	JHANSI		7/11

DRN. CHD.	NAME	SIGN.	DATE
APPD	JHANSI		7/11

DRN. CHD.	NAME	SIGN.	DATE
APPD	JHANSI		7/11

DRN. CHD.	NAME	SIGN.	DATE
APPD	JHANSI		7/11

DRN. CHD.	NAME	SIGN.	DATE
APPD	JHANSI		7/11

DRN. CHD.	NAME	SIGN.	DATE
APPD	JHANSI		7/11

DRN. CHD.	NAME	SIGN.	DATE
APPD	JHANSI		7/11

DRN. CHD.	NAME	SIGN.	DATE
APPD	JHANSI		7/11

DRN. CHD.	NAME	SIGN.	DATE
APPD	JHANSI		7/11

DRN. CHD.	NAME	SIGN.	DATE
APPD	JHANSI		7/11

DRN. CHD.	NAME	SIGN.	DATE
APPD	JHANSI		7/11

DRN. CHD.	NAME	SIGN.	DATE
APPD	JHANSI		7/11

DRN. CHD.	NAME	SIGN.	DATE
APPD	JHANSI		7/11

DRN. CHD.	NAME	SIGN.	DATE
APPD	JHANSI		7/11

DRN. CHD.	NAME	SIGN.	DATE
APPD	JHANSI		7/11

DRN. CHD.	NAME	SIGN.	DATE
APPD	JHANSI		7/11

DRN. CHD.	NAME	SIGN.	DATE
APPD	JHANSI		7/11

DRN. CHD.	NAME	SIGN.	DATE
APPD	JHANSI		7/11

DRN. CHD.	NAME	SIGN.	DATE
APPD	JHANSI		7/11

DRN. CHD.	NAME	SIGN.	DATE
APPD	JHANSI		7/11

DRN. CHD.	NAME	SIGN.	DATE
APPD	JHANSI		7/11

DRN. CHD.	NAME	SIGN.	DATE
APPD	JHANSI		7/11

DRN. CHD.	NAME	SIGN.	DATE
APPD	JHANSI		7/11

DRN. CHD.	NAME	SIGN.	DATE
APPD	JHANSI		7/11

DRN. CHD.	NAME	SIGN.	DATE
APPD	JHANSI		7/11

DRN. CHD.	NAME	SIGN.	DATE
APPD	JHANSI		7/11

DRN. CHD.	NAME	SIGN.	DATE
APPD	JHANSI		7/11

DRN. CHD.	NAME	SIGN.	DATE
APPD	JHANSI		7/11

DRN. CHD.	NAME	SIGN.	DATE
APPD	JHANSI		7/11

DRN. CHD.	NAME	SIGN.	DATE
APPD	JHANSI		7/11

DRN. CHD.	NAME	SIGN.	DATE
APPD	JHANSI		7/11

DRN. CHD.	NAME	SIGN.	DATE
APPD	JHANSI		7/11

DRN. CHD.	NAME	SIGN.	DATE
APPD	JHANSI		7/11

DRN. CHD.	NAME	SIGN.	DATE
APPD	JHANSI		7/11

DRN. CHD.	NAME	SIGN.	DATE
APPD	JHANSI		7/11

DRN. CHD.	NAME	SIGN.	DATE
APPD	JHANSI		7/11

DRN. CHD.	NAME	SIGN.	DATE
APPD	JHANSI		7/11

DRN. CHD.	NAME	SIGN.	DATE
APPD	JHANSI		7/11

DRN. CHD.	NAME	SIGN.	DATE
APPD	JHANSI		7/11

DRN. CHD.	NAME	SIGN.	DATE
APPD	JHANSI		7/11

DRN. CHD.	NAME	SIGN.	DATE
APPD	JHANSI		7/11

DRN. CHD.	NAME	SIGN.	DATE
APPD	JHANSI		7/11

DRN. CHD.	NAME	SIGN.	DATE
APPD	JHANSI		7/11

DRN. CHD.	NAME	SIGN.	DATE
APPD	JHANSI		7/11

DRN. CHD.	NAME	SIGN.	DATE
APPD	JHANSI		7/11

DRN. CHD.	NAME	SIGN.	DATE
APPD	JHANSI		7/11

DRN. CHD.	NAME	SIGN.	DATE
APPD	JHANSI		7/11

DRN. CHD.	NAME	SIGN.	DATE
APPD	JHANSI		7/11

DRN. CHD.	NAME	SIGN.	DATE
APPD	JHANSI		7/11

DRN. CHD.	NAME	SIGN.	DATE
APPD	JHANSI		7/11

DRN. CHD.	NAME	SIGN.	DATE
APPD	JHANSI		7/11

DRN. CHD.	NAME	SIGN.	DATE
APPD	JHANSI		