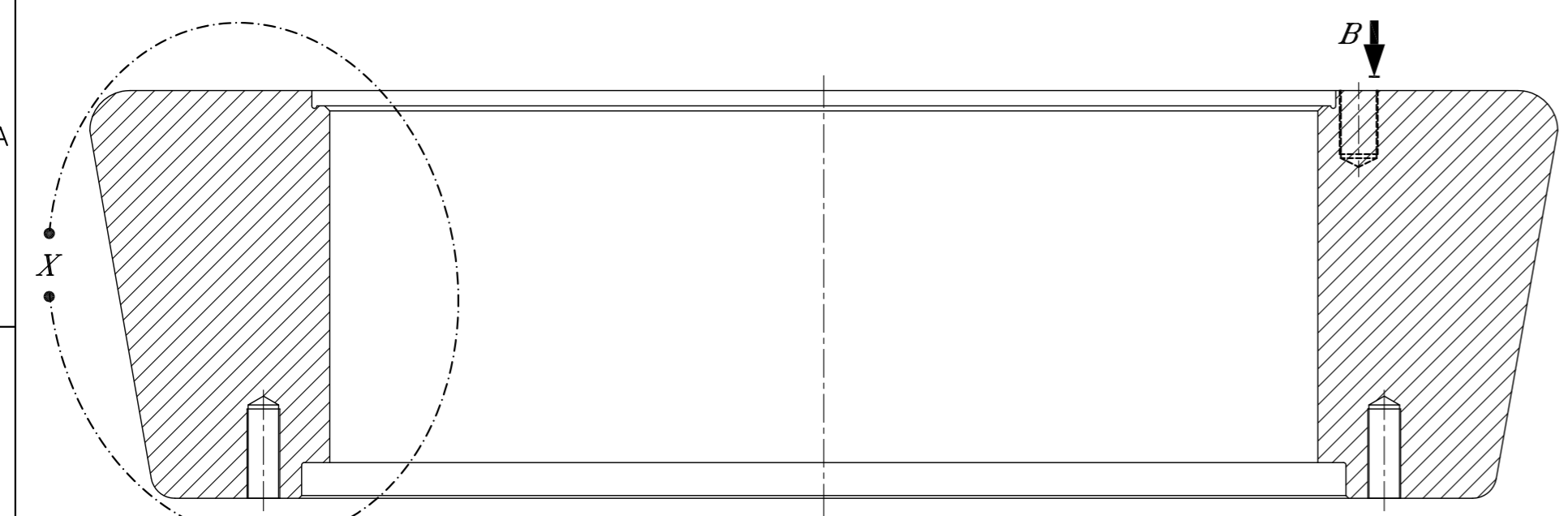
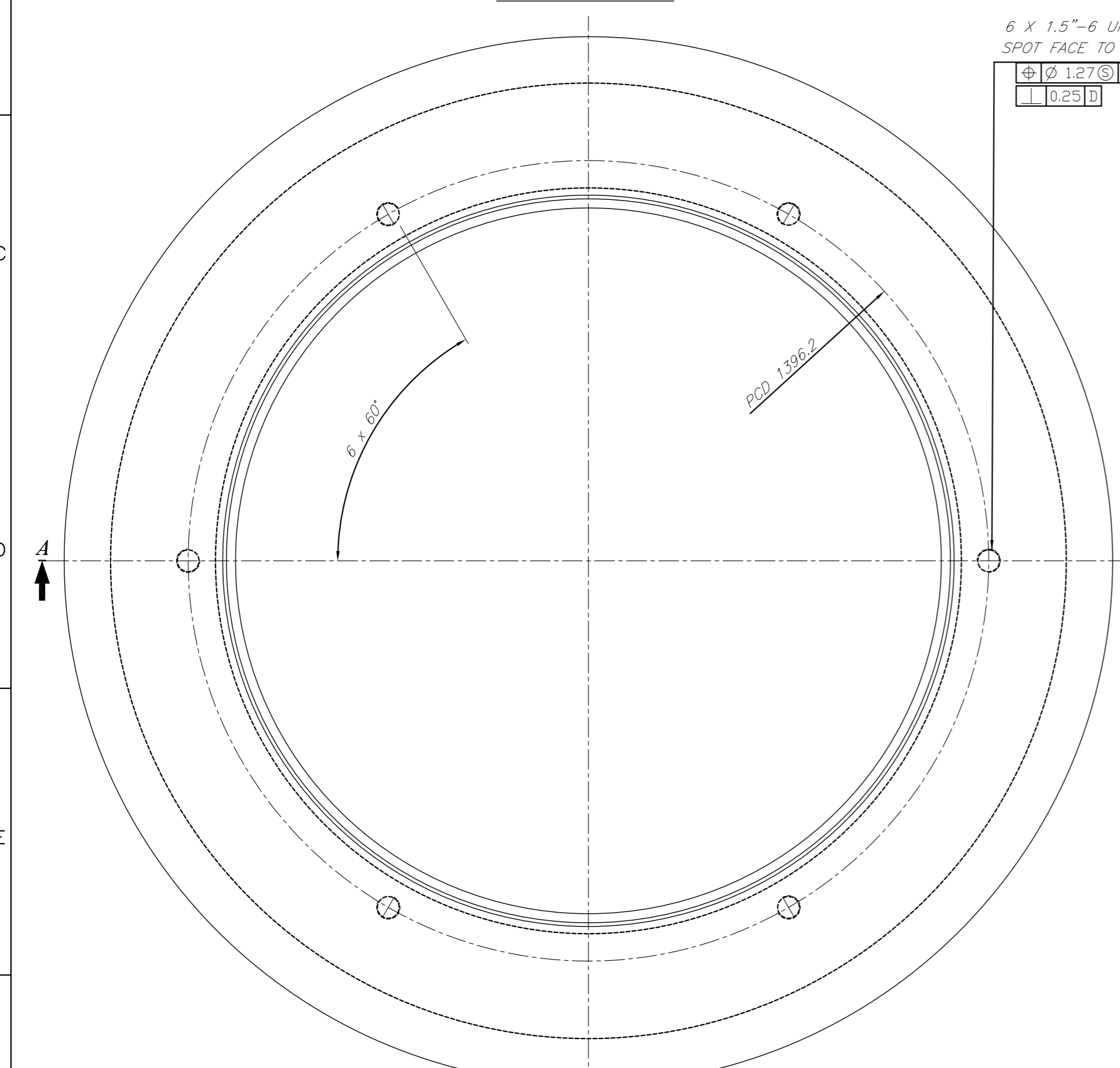


DRG. NO. 2-61-120-02903

THE INFORMATION ON THIS DOCUMENT IS THE PROPERTY OF BHARAT HEAVY ELECTRICALS LIMITED. IT MUST NOT BE USED DIRECTLY OR INDIRECTLY IN ANY WAY DETRIMENTAL TO THE INTEREST OF THE COMPANY.



SECTION: - A A

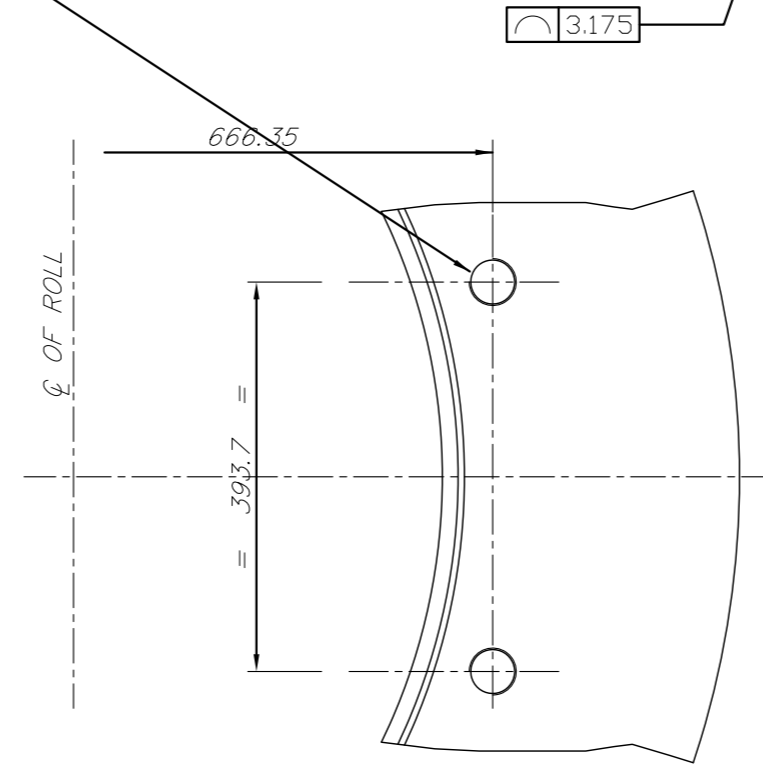


6 X 1.5"-6 UNC-2B X 111.25mm. DEEP.
SPOT FACE TO SUIT IF REQ'D FOR DRILLING

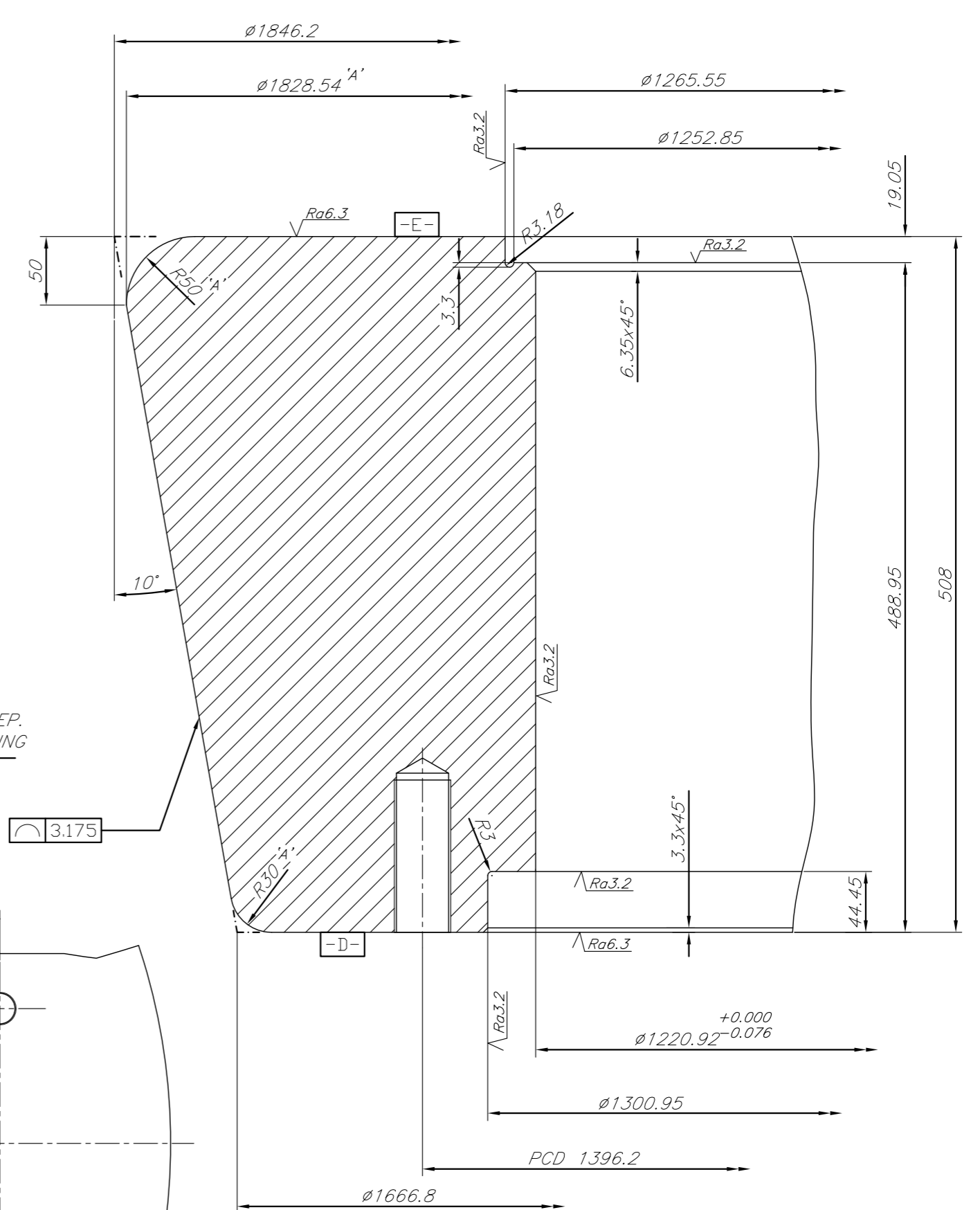
⊕ ⌀ 1.27 Ⓢ D B Ⓢ
Ⓛ 0.25 D

2 X 1.750"-5 UNC-2B X 79.25mm. DEEP.
SPOT FACE TO SUIT IF REQ'D FOR DRILLING

⊕ ⌀ 1.27 Ⓢ E B Ⓢ
Ⓛ 0.25 E



VIEW FROM: - B



ENLARGED DETAIL: - X

ITEM NO.	DESCRIPTION	DRAWING NO.	VAR. NO.	RAW MATERIAL SIZE OR CASTING DRG. NO. OR FORGING DRG. NO.	MATERIAL CODE	NET WT.	GROSS WT.
					MATERIAL SPECN.	QUANTITY	

THE FOLLOWING CONDITIONS APPLY EXCEPT OTHERWISE STATED. 1. REF. TO HY0230261 FOR UNSPECIFIED TOLERANCES. 2. CHAMFER M/CD. SHARP EDGES 1.2 TO 1.0 AT 45°. 3. INTERNAL M/CD. CORNER RADI 1 TO 0.7. 4. THE SURFACE ROUGHNESS WHERE-EVER NOT SHOWN SHALL BE TAKEN FROM THE SURFACE ROUGHNESS SHOWN OUT SIDE THE BACK SLASH GIVEN OR THE TOP MOST RIGHT CORNER OF THE DRG.				TYPE OF PRODUCT NAME OF CUSTOMER/PROJECT BHARAT HEAVY ELECTRICALS LIMITED HYDERABAD DRN. UDAY REDDY CHD. A.SURIN APPD. S.GHATGE			
DEPT. PULV ENGG. CODE 446	UNTO. DIMS. GR. ⌀/M/Ⓢ	SCALE 1:7.5	WEIGHT (KG) 4763.0	REF. TO ASSY DRG. 2-61-120-02903	ITEM NO. 00	NO.OF ITEMS	NO.OF VAR.
TITLE GRINDING ROLL- 72" (HP 1203 BOWL MILL)				DRAWING NO. 2-61-120-02903		REV. 00	
				SHEET NO. 01		NO OF SHEETS 01	

REV.	DATE	ALTERED CHD.	APPD.	REV.	DATE	ALTERED CHD.	APPD.	REV.	DATE	ALTERED CHD.	APPD.