



An ISO 9001
Company

Bharat Heavy Electricals Limited

(High Pressure Boiler Plant)

Tiruchirappalli – 620014, TAMIL NADU, INDIA

MATERIALS MANAGEMENT / CAPITAL EQUIPMENT

ENQUIRY – Corrigendum 1

Phone: +91 431 257 79 38
Fax : +91 431 252 00 31
Email : tvenkat@bheltry.co.in
Web : www.bhel.com

NIT No. 13891

**Enquiry
Number:**

2621300008

**Enquiry
Date:**

15.03.2013

**Due date for submission
of quotation:**

15.04.2013

You are requested to quote the Enquiry number date and due date in all your correspondences. This is only a request for quotation and not an order

Item Description: Optimizer and Vertical Storage with Sliding Door Unit (VSDU)

Details of Corrigendum

The following Drawings are attached:

- 1) General Arrangement of Three Bay Optimizer
- 2) General Arrangement of Two Bay Optimizer
- 3) General Arrangement of Bay Optimizer
- 4) General Arrangement of Vertical Storage Unit with Sliding Door (VSDU)

All other terms and conditions and specifications as published in the NIT 13891 remain unaltered.

Confirmation of acceptance for BHEL commercial terms & conditions and Price Bid formats have been posted in BHEL Corporate web site www.bhel.com or from the Government tender website <http://tenders.gov.in> (public sector units > Bharat Heavy Electricals Limited page) under Enquiry reference "2621300008".

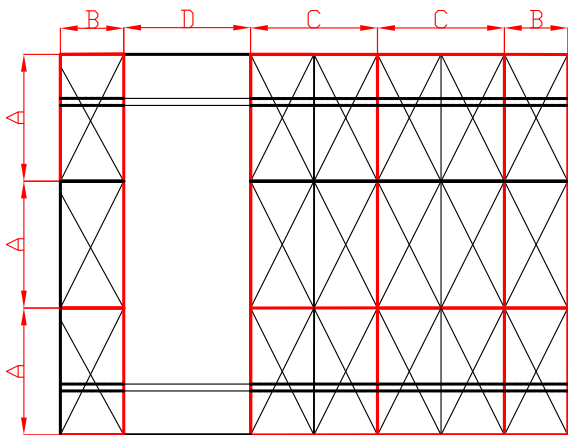
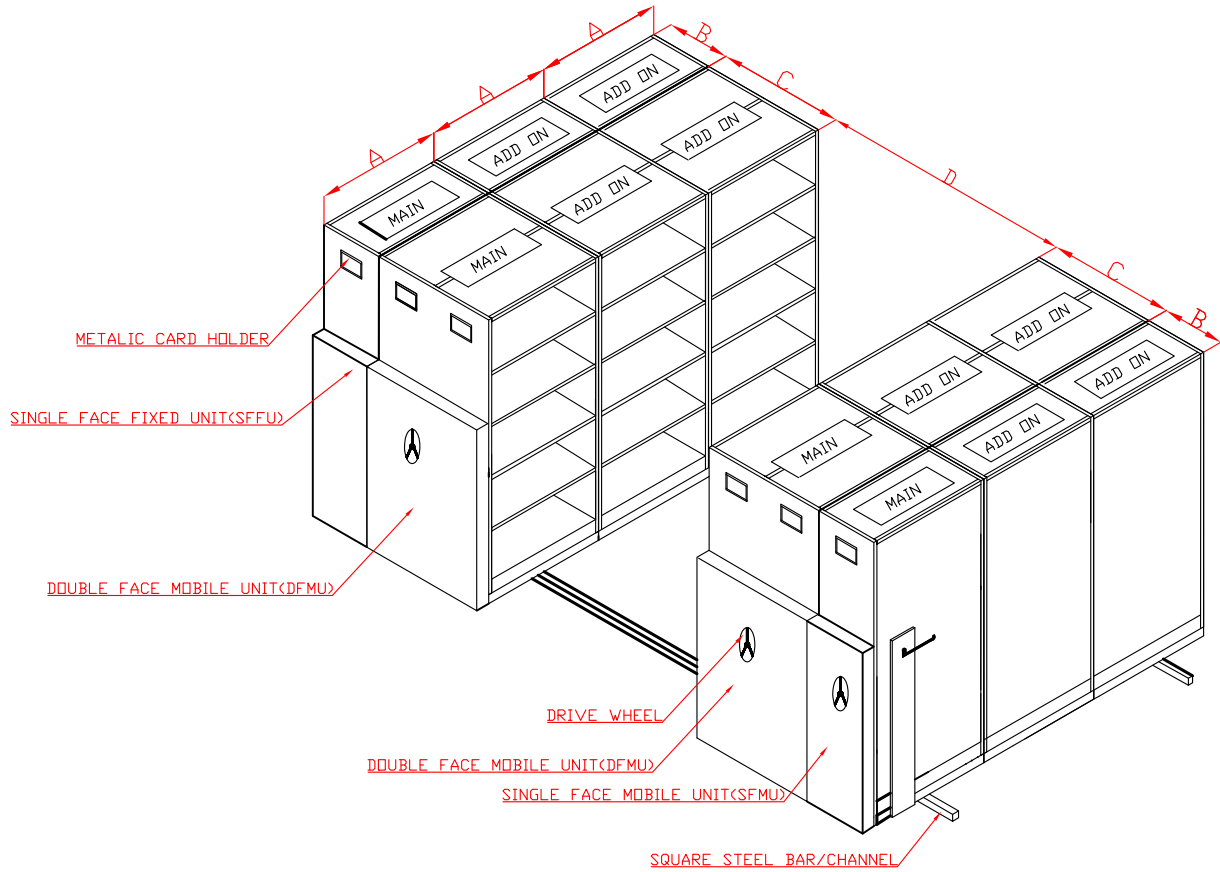
Tenders should reach us before 14:00 hours on the due date
Tenders will be opened at 14:30 hours on the due date
Tenders would be opened in presence of the tenderers who have submitted their offers and who may like to be present

Yours faithfully,
For **BHARAT HEAVY ELECTRICALS LIMITED**


Sr. Manager / MM / Capital Equipment

T. VENKATESWARAN
Senior Manager
Capital Equipment / MM
BHEL, Tiruchirappalli - 620 014.

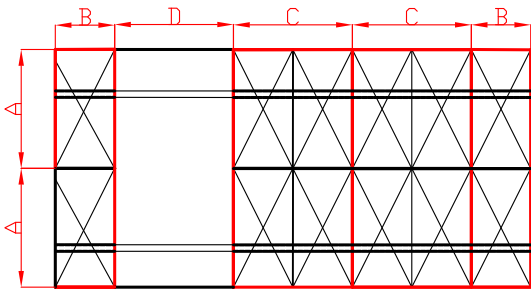
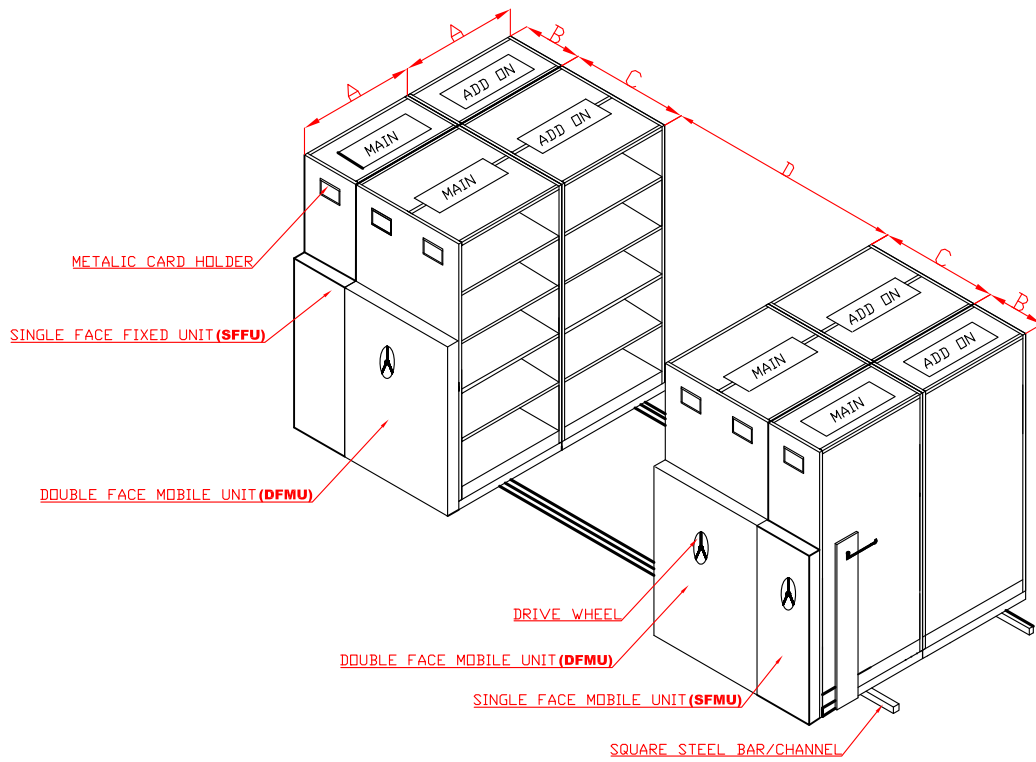
GENERAL ARRANGEMENT OF THREE BAY OPTIMIZER



DIMENSIONS IN MM (APPROX.)

TYPE	A	B	C	D
TYPE-I	900-3 Nos	450	900-02 Nos	900
TYPE-II	900-3 Nos	450	900-03 Nos	900

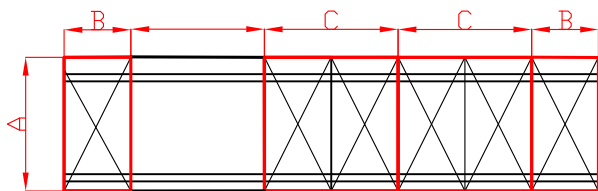
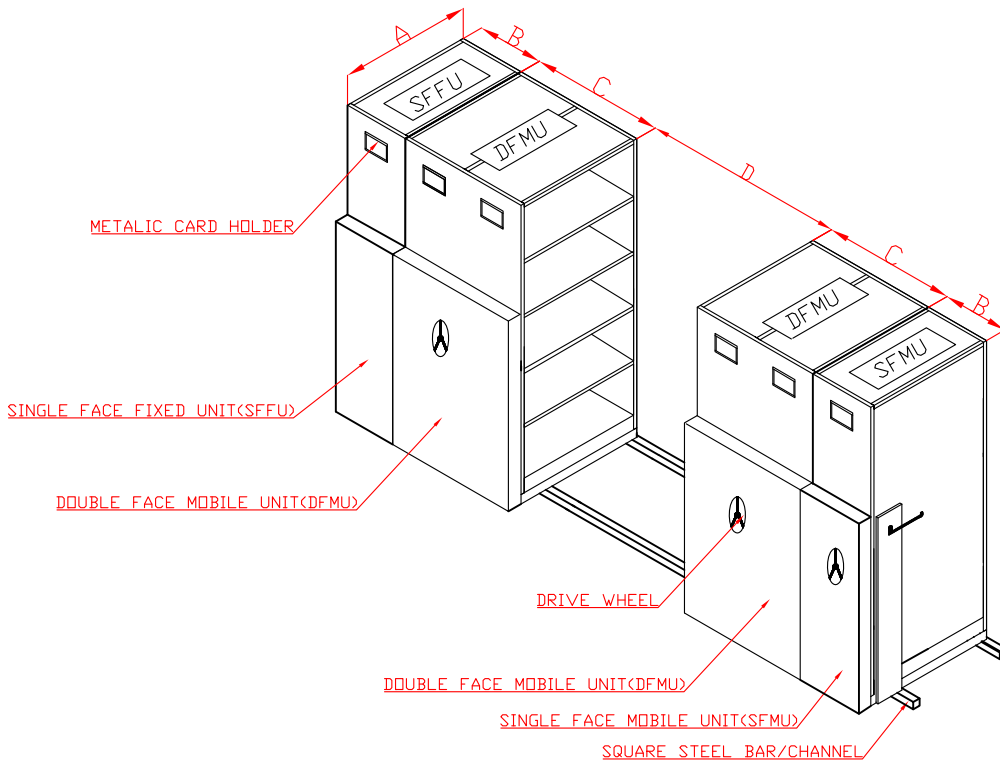
GENERAL ARRANGEMENT OF TWO BAY OPTIMIZER



DIMENSIONS IN MM (APPROX.)

TYPE	A	B	C	D
TYPE-I	900-02 Nos	450	900-02 Nos	900
TYPE-II	900-02 Nos	450	900-03 Nos	900

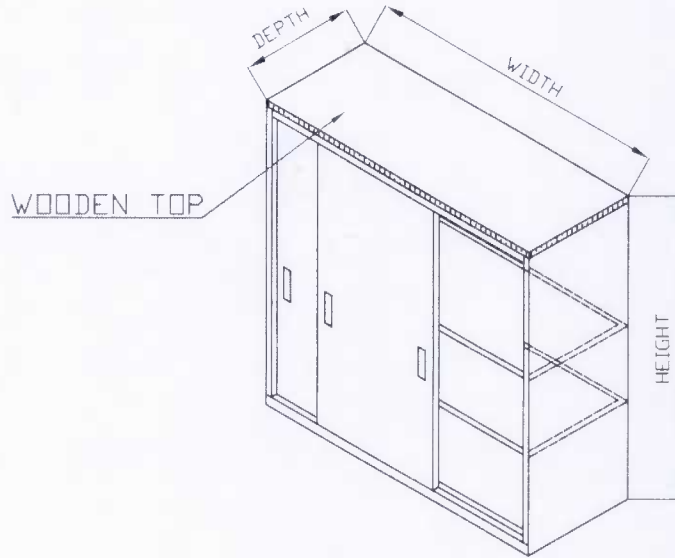
GENERAL ARRANGEMENT OF SINGLE BAY OPTIMIZER



DIMENSIONS IN MM (APPROX.)

TYPE	A	B	C	D
TYPE-I	900	450	900-02 Nos	900
TYPE-II	900	450	900-03 Nos	900

GENERAL ARRANGEMENT OF VERTICAL STORAGE UNIT WITH SLIDING DOOR



DIMENSIONS IN MM (APPROX.)			
TYPE	WIDTH(W)	DEPTH(D)	HIGHT(H)
TYPE-A	1200	450	1200
TYPE-B	900	450	1200
TYPE-C	1200	450	740

G. MADHURAMANI
Senior Manager
Management Services
BHEL, TIRUCHY 14