



BHARAT HEAVY ELECTRICALS LIMITED

(A Government of India Undertaking)
HIGH PRESSURE BOILER PLANT
PURCHASE DEPARTMENT - FOSSIL BOILERS
THIRUCHIRAPALLI - 620014
TAMILNADU (INDIA)

PHONE :2577629
GRAMS : BHARATELEC
FAX NO: 2520719
E-mail: srchandran@bheltry.co.in
Web:

429 002/A

| | | | |
|---|-------------------|---------------------|-------------------------------|
| | Enquiry No | Enquiry Date | Due Date for Quotation |
| | 2661400152 - 55 | 04.03.2014 | 27.03.2014 |
| Please quote Enquiry No, Date and due date in all correspondences. This is only a request for quotation and not an order | | | |

| Item | Description | Unit | Quantity | Delivery Quantity | Schedule Date |
|------|---|------|----------|-------------------|---------------|
| 10 | 7518A1500100 ANCHORING TOOTHED STUD AS PER DRG NO 4M 18A 15 28241-01, SL.NO: 01, LENGTH (A) = 150 MM, MATERIAL: INCONNEL 600, WORKING TEMPERATURE: 1150 D/G C. | NO | 400.000 | 400.00 | 27.05.14 |
| | VENDOR QUALIFYING CRITERIA Only those vendors who satisfy the following conditions will get qualified to participate in the tender: 1. Vendor must have minimum 3 year experience in this field and must be an ISO:9001:2008 certified company. 2. Previous PO details for supplying same or similar kind of items should be submitted along with offer. Otherwise offer will be rejected. 3. Company profile with details of contact person and their contact numbers have to be provided along with offer. 4. BHEL reserves the right to visit the vendor's works for verifying the manufacturing facilities and any other credential furnished by the vendor. In case the information furnished with the offers found to be false /incorrect, in future or later stage, the offer / PO shall be rejected /cancelled as the case may be. | | | | |
| 20 | 7518A1500200 ANCHORING TOOTHED STUD AS PER DRG. NO. 4M 18A 15 28241-01, SLNO: 02, LENGTH (A) = 175 MM, MATERIAL: INCONNEL 600, WORKING TEMPERATURE: 1150 D/G C. | NO | 400.000 | 400.00 | 27.05.14 |
| 30 | 7518A1500300 ANCHORING TOOTHED STUD AS PER DRG.NO. 4M 18A 15 28241-01, SLNO: 03, LENGTH (A) = 200 MM, MATERIAL: INCONNEL 600, WORKING TEMPERATURE: 1150 D/G C. | NO | 400.000 | 400.00 | 27.05.14 |

The offers should reach us 30 minutes before the time of opening of tenders.
The offers will be opened at 14.30 hrs on the due date of tender in the presence of
tenderers who have submitted their offer and who may like to be present for the tender
opening. Late and delayed offers are liable to be rejected.

Yours faithfully,
For **BHARAT HEAVY ELECTRICALS LIMITED**

MANAGER / PURCHASE
(FOSSIL BOILERS)
Yours faithfully,



BHARAT HEAVY ELECTRICALS LIMITED

(A Government of India Undertaking)
HIGH PRESSURE BOILER PLANT
PURCHASE DEPARTMENT - FOSSIL BOILERS
THIRUCHIRAPALLI - 620014
TAMILNADU (INDIA)

Page
2/2

PHONE :2577629
GRAMS : BHARATELEC
FAX NO: 2520719
E-mail: srchandran@bheltry.co.in
Web:

2661400152 / 04.03.2014

| | | | | | |
|----|---|----|---------|--------|----------|
| 40 | 7518A1501200 ANCHORING TOOTHED STUD AS PER DRG.NO 4M 18A 15 28241-01, SL.NO: 05, LENGTH: (A) = 225 MM, MATERIAL: INCONNEL 600, WORKING TEMPERATURE: 1150 DEG C. | NO | 400.000 | 400.00 | 27.05.14 |
| 50 | 7518A1503600 ACHORING TOOTHED STUD AS PER DRG NO 4M 18A 15 28241-01, SL.NO: 06, LENGTH (A) = 115 MM, MATERIAL: INCONNEL 600, WORKING TEMPERATURE: 1150 DEG C. | NO | 400.000 | 400.00 | 27.05.14 |
| 60 | 7518A1503300 ANCHORING TOOTHED STUD AS PER DRG.NO 4M 18A 15 28241-01, SL.NO: 07, LENGTH (A) = 75 MM, MATERIAL: INCONNEL 600, WORKING TEMPERAURE: 1150 DEG C. | NO | 400.000 | 400.00 | 27.05.14 |
| 70 | 7518A2400300 M6 HEXAGON NUT AS PER IS 1364, MATERIAL: AISI 310 STAINLESS STEEL | NO | 300.000 | 300.00 | 27.05.14 |
| 80 | 7518A2200100 HOOK AS PER DRG. NO. 4M 18A 22 26220-01, ITEM NO-01 | NO | 400.000 | 400.00 | 27.05.14 |
| 90 | 7518A2200500 HOOK AS PER DRG. NO. 4M 18A 22 26220-01, ITEM NO-02 | NO | 400.000 | 400.00 | 27.05.14 |

General Note:

GENERAL NOTE:

PLEASE SUBMIT YOUR OFFER IN "TWO PART BID SYSTEM"
AS PER ANNEXURE ENCLOSED.

ENCLOSURE:

ANNEXURE II,III,IV AND V

Enclosures:

"LD clause has to be confirmed without fail."

"Payment to vendors will be made only thro E-Payment mode"

Offers should reach us 30 minutes before the time of opening of tenders.
Offers will be opened at 14.30 hrs on the due date of tender in the presence of
tenderers who have submitted their offer and who may like to be present for the tender
opening.Late and delayed offers are liable to be rejected.

Yours faithfully,
For BHARAT HEAVY ELECTRICALS LIMITED

MANAGER / PURCHASE
(FOSSIL BOILERS)
Yours faithfully,

CAPITAL PURCHASE**COMMERCIAL TERMS AND CONDITIONS****1.0 QUOTATIONS**

The Bidders shall submit the offer in **TWO INNER ENVELOPES** as indicated below which shall be sealed in one outer envelope.

Envelope I This sealed envelope should contain all the copies of technical bid together with un-priced commercial bid & annexure III. This envelope should be clearly marked **'Part I - Technical and commercial bid'**,

Indicating Enquiry No., Due Date and Address & Reference of the Bidder.

Envelope II This sealed envelope should contain **price as per Annexure-IV format**. This envelope should be clearly marked **"Part II - Price bid"**, indicating **Enquiry No., Due Date and Address & Reference of the Bidder**.

Both the envelopes (Part I & II) shall be put in one cover (**Envelope III**), duly sealed, superscribing as Part I and Part II of Enquiry No., due date of opening and the address and reference of the Bidder

The above offer should reach this office on or before the due date by 14.00 hours (IST). Late offers will not be considered.

Tender should not be addressed to any individual's name but only by designation to

**SENIOR MANAGER /PURCHASE/ CP & SP/ MM / MFG
BHARAT HEAVY ELECTRICALS LIMITED
HIGH PRESSURE BOILER PLANT
TIRUCHIRAPALLI - 620 014
TAMIL NADU**

Tenders should be free from **CORRECTION AND ERASURES**, Corrections if any, must be attested. All Amounts shall be indicated both in words as well as in figures. Where there is difference between amount quoted in words and figures, amount quoted in words shall prevail.

Offers should be in **ENGLISH** and accompanied by detailed technical literature, catalogue and detailed dimensional drawings in **ENGLISH** or otherwise, the offers will not be considered.

2.0 OPENING OF TENDERS

The Part I - Technical & commercial bid alone would be opened on the Tender opening date.

The Part II - Price bid of technically suitable Bidders alone would be opened. The Technically Suitable Bidders would be informed about the tender opening date through e-mail.

Clarifications if any required by BHEL for Technical evaluation **would be** sought from Bidders before opening of Part II - price bid

For any queries clarifications the bidders may contact us through our FAX NO. +91 431 2520719 or through e-mail < arjerome@bheltry.co.in > & < chells@bheltry.co.in >

MM: CP & SP

Annexure For Techno Commercial Bid
Check List - to be filled and submitted along with Technical Bid

| BHEL Commercial Terms and Conditions for Indigenous Supplies | Vendor's Confirmation / Comments |
|--|----------------------------------|
| Technical confirmation to BHEL's Specification as called for in BHEL Format shall be furnished. If needed additional sheets shall be used. | |
| Prices shall be quoted item wise only as per the model format enclosed | |
| Prices shall be quoted on " FIRM PRICE " basis only The prices should be only on F.O.R / Despatching station basis with Packing & Forwarding charges if any. Applicable % of ED & Sales Tax, Freight & Insurance, Installation & Commissioning Charges should be clearly Indicated | |
| Validity of offer shall be for a minimum period of 120 days from the date of Tender opening | |
| Delivery period from the date of Letter of Intent / Purchase order shall be clearly mentioned in the offer | |
| Liquidated damages @ '0.5% per week subject to a maximum of 10% of the order value shall be applicable for delay in deliveries For Details Refer Annexure- v | |
| Following Risk Purchase clause shall be applicable The purchaser at his option will be entitled to terminate the contract and to purchase elsewhere at the risk and cost of the seller either the whole of the goods or any part which the supplier has failed to deliver or dispatch within the time stipulated or if the same were not available, the best and the nearest available substitute therefore The supplier shall be liable for any loss which the Purchaser may sustain by reason of such risk purchases | |
| Payment term for supply portion: Payment term is 100% direct payment after 45 days from the date of receipt and acceptance of materials For details Refer Annexure- v | |
| Errection / commissioning: (if applicable only) Errection / commissioning charges if any has been mentioned in the offer or else confirmation that Errection / commissioning shall be done at free of cost is available in the offer, | |
| The equipment shall be guaranteed for a period of 12 months from the date of commissioning | |
| Final inspection and acceptance of equipment will be after installation at BHEL, Trichy | |
| The vendor shall provide necessary drawings, Test Certificates and Operating Maintenance Manuals etc., as called for in the Technical Specification, in the required number of copies at no extra cost | |
| Any warranty replacement during warranty period shall be supplied free of charge on FOR BHEL, Trichy basis. | |
| Offers should be submitted only in sealed cover super-scribing clearly the Enquiry reference and due date. | |
| % of Excise Duty with cess | |
| % of TAX (CST/VAT):(INGST with FORM-17 or CST with C-FORM) | |
| Packing & Forwarding Charges (if any in % only) | |
| Percentage of Freight& transit insurance charges, if any Freight charges from Dispatching station to BHEL, Tiruchirappalli • Supplier should quote for F.O.R-BHEL Trichy Stores. | |
| As per Commercial terms and conditions, acceptance for participation in Reverse auction (RA).Yes/No to be indicated | |
| Name of the person for participating reverse auction | |
| Land Line Number | |
| Fax Number | |
| Mobile Number | |
| E mail ID | |

NOTE:-

- It is confirmed that all the terms and conditions stipulated In the Enquiry have been fully understood by us and all clarifications & details have been obtained.
- Your offer should be indicating applicable If any P&F Charges, % of ED, Sales Tax -CST or VAT, Service Tax), Freight, Insurance and Installation and Commissioning Charges etc., as per our Price Format
- Your specific acceptance to our Payment terms, LD & Risk Purchase Clause are essential for consideration of your offer. Other wise your offer is liable for rejection.
- No row shall be left blank. Please indicate NA, in case the item is "not applicable"

Payment Term (Indigenous)

| | |
|---|---|
| If materials are receivable at Stores/Trichy without PBG | Payment term is 100% direct payment after 45 days from the date of receipt and acceptance of materials. |
| If materials are receivable at Stores/Trichy with PBG | Payment term is 100% direct payment after 45 days from the date of receipt and acceptance of materials and against 10% PBG valid for the warranty period. |

Any deviation in the above payment term will attract loading as mentioned below.

**Base rate of SBI (as applicable on the date of bid opening. Techno-commercial bid opening in case of two part bids) + 6% shall be considered for loading for the period of relaxation sought by bidders.

Payment through Bank is not preferred. In case of Payment through Bank is opted by Supplier, BHEL prefers documents submission through bank with copy of LR and door delivery of Goods to Site/Stores with Consignee copy attached. In this case Loading will be 3% on the offered value.

Offers of indigenous Suppliers with payment terms as LC/Advance Payment are liable for rejection.

Liquidated Damages / Penalty -

Liquidated damages shall be 0.5% of the total order value per week or part thereof subject to a maximum of 10% of the total order value.

For staggered delivery schedule, LD shall be 0.5% of the undelivered portion per week of the delay or part thereof subject to a maximum of 10% of the total order value.

Any deviation from the above LD clause, loading will be applied to the extent to which it is not agreed by the bidder (at offered value).

Guarantee / Warranty Period – (if applicable)

Normally No deviation permitted and the deviated offers are liable for rejection.

Ranking-

BHEL will consider the ranking after the loading is applied as referred above wherever deviations are observed.

Performance Bank Guarantee – (if applicable)

Normally No deviation permitted and the deviated offers are liable for rejection.

NOTE:-

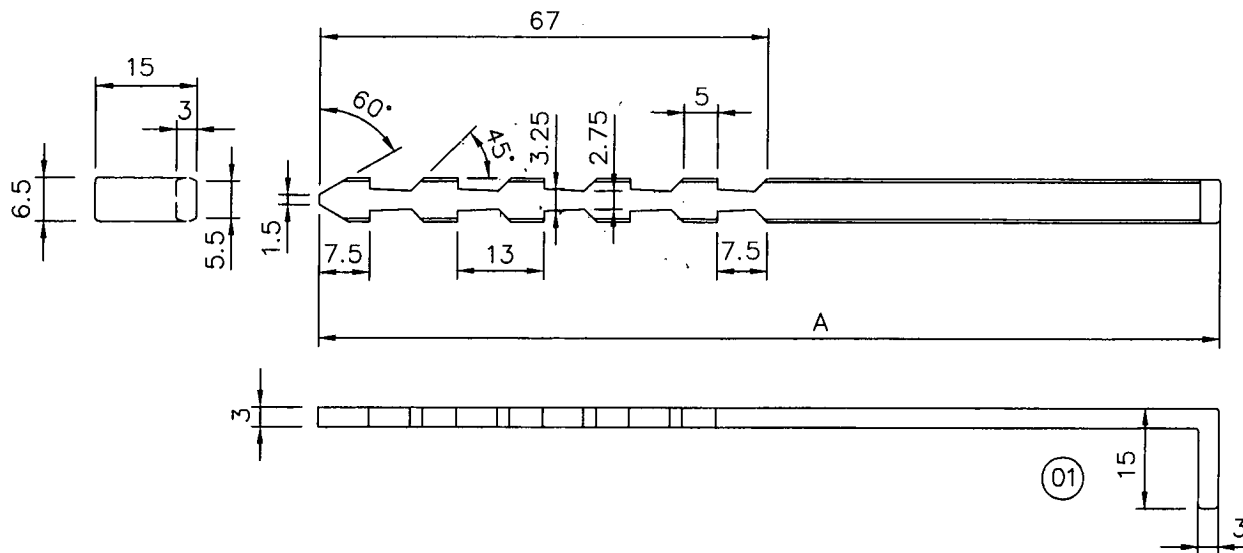
1. If the due date of tender opening happens to be a holiday, the tenders will be opened on the next working day.
2. BHEL reserves the right to go for a reverse auction (RA) instead of opening the submitted sealed bid which will be decided after technical evaluation. Information and general terms and conditions covering RA are given in commercial terms and conditions.
3. Corrigendum if any, with respect to this tender will be hosted only in the website <http://www.bhel.com> or <http://tenders.gov.in>. You are requested to visit the website regularly for updates.

THIS DRAWING IS OUR SOLE PROPERTY AND SHOULD NOT BE USED IN ANY FORM FOR ANY PURPOSE WITHOUT THE WRITTEN PERMISSION OF BIHARAT HEAVY ELECTRICALS LIMITED TRICHIRAPPALLI - 620 014.

CAUTION:

ALL DIMENSIONS ARE IN MM

3.2/1



| SL No. | A | Wt |
|--------|-------|-------|
| 01 | 150 | 0.021 |
| 02 | (175) | 0.025 |
| 03 | 200 | 0.028 |
| 04 | 100 | 0.014 |
| 05 | (225) | 0.032 |
| 06 | (115) | 0.016 |
| 07 | 75 | 0.011 |
| 08 | 300 | 0.042 |

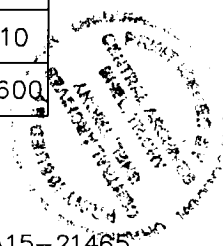
| WORKING TEMP | MATAL. * |
|--------------|-------------|
| 950°C | SS AISI 310 |
| 1150°C | INCONEL 600 |

NOTE: -

FOR METAL LOCK REF.DRG.No.4M-18A15-21465.

FOR CUP LOCK REF.DRG No.4M-18A15-21460.

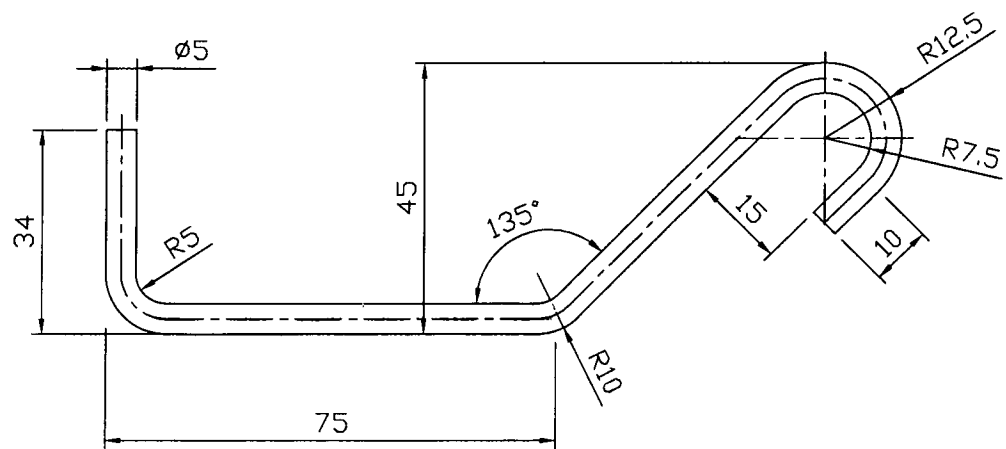
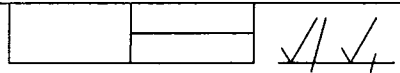
BRACKETED DIMENSION USED FOR PRECON-17-96KW.



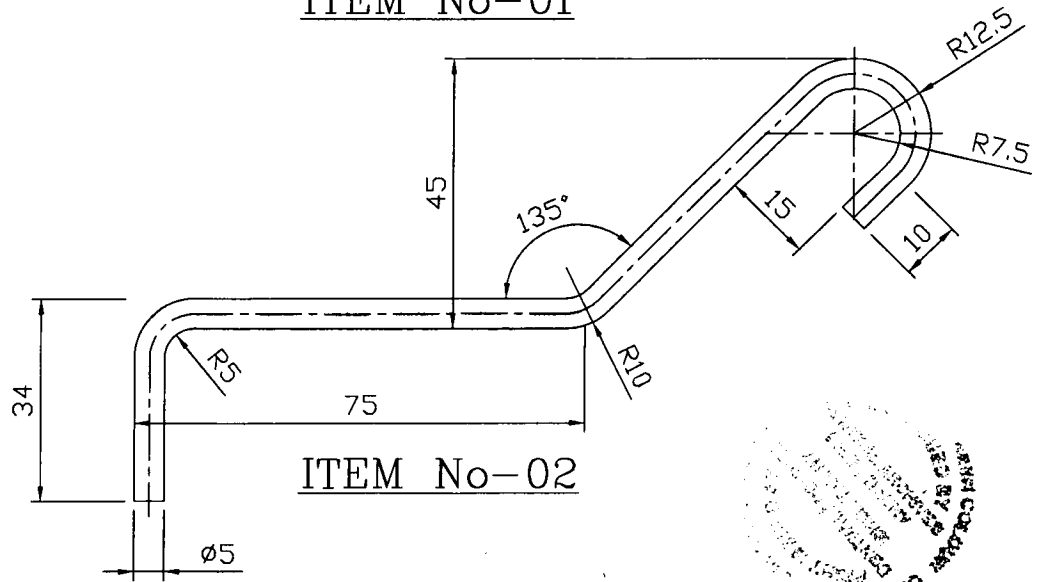
| No. of Pieces | DESCRIPTION | MATERIAL | STANDARD | NET.WT.IN KGS. | DRAWING No. | ITEM No. |
|-----------------------------------|-------------------------------|-------------------|-----------------------------|----------------|-------------|----------|
| | | * | | | | |
| REFERENCE: | TCD FROM 3M-18A15-08953 Y. | | ALTERATIONS: | DCN REF | DATE | SIGN. |
| SCALE | DRAWN/TCD | N.MANOJ | BEND PORTION 15 MM ADDED | | 04/10/12 | RRM |
| 1:1 | CHECKED | R.Ramamoorthy | | | | |
| | APPROVED | C.S.Jayasheelan | | | | |
| | DATE | 03-01-84/12-09-08 | | | | |
| MACHINE: ELE. FURNACE ACCESSORIES | | | TYPE: CERAMIC LINING. | | | |
| TITLE: ANCHORING TOOTHED STUD. | | | DRAWING No: | | | REV. |
| | | | 4M18A152824101 | | | |
| | | | No. of Sheets: | | Sheet No: | |

CAUTION: THIS DRAWING IS OUR SOLE PROPERTY AND SHOULD NOT BE USED IN ANY FORM FOR ANY PURPOSE WITHOUT THE WRITTEN PERMISSION OF BHARAT HEAVY ELECTRICALS LIMITED TRICHIRAPPALLI - 620 014.

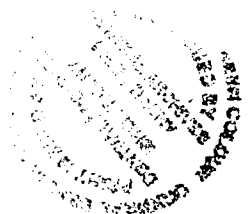
ALL DIMENSIONS ARE IN MM



ITEM No-01



ITEM No-02



| | | | | | | | | |
|--------------------------------------|-------------|-----------------|----------------------|-----------------|----------------|----------|-------|--|
| EACH ROD $\phi 5 \times 200L$ | | INCONNEL -600 | | 0.3 | | | | |
| No. of Pieces | DESCRIPTION | MATERIAL | STANDARD | NET.WT. IN KGS. | DRAWING No. | ITEM No. | | |
| | REFERENCE: | | ALTERATIONS: | DCN REF | DATE | SIGN. | INDEX | |
| SCALE | DRAWN | (TTB) | ITEM NO: 01&02 ADDED | | 28.03.07 | CSJ | 01 | |
| 1:1 | CHECKED | R.RAMAMOORTHY | | | | | | |
| | APPROVED | C.S.JAYASHEELAN | | | | | | |
| | DATE | 17.06.98 | | | | | | |
| MACHINE: PIT TYPE HIGH TEMP | | | TYPE: THERILEK-120KW | | | | | |
| TITLE: HOOK ($\phi 5 \times 200L$) | | | DRAWING No: | | REV. | | | |
| | | | 4M18A2226220 | | 01 | | | |
| | | | Sheet No: | | No. of Sheets: | | | |