



429-002/A

BHARAT HEAVY ELECTRICALS LIMITED

(A Government of India Undertaking)
HIGH PRESSURE BOILER PLANT
PURCHASE DEPARTMENT - FOSSIL BOILERS
THIRUCHIRAPALLI - 620014
TAMILNADU (INDIA)

Page
1/2

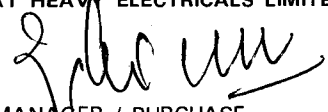
PHONE :2577629
GRAMS : BHARATELEC
FAX NO: 2520719
E-mail: srchandran@bheltry.co.in
Web:

Enquiry No	Enquiry Date	Due Date for Quotation
2661400477 - 55	23.07.2014	18.08.2014

Please quote Enquiry No, Date and due date in all correspondences.
This is only a request for quotation and not an order

Item	Description	Unit	Quantity	Delivery Quantity	Schedule Date
10	7517A2301100 M72 FOUNDATION BOLT AS PER DRG. NO 2M-17A-23-05159 WITH HEXAGON NUT, HEXAGON LOCK NUT AND PLAIN WASHER. NOTE: SUPPLY SHOULD BE IN ASSEMBLED CONDITION. VENDOR QUALIFYING CRITERIA: ONLY THOSE VENDORS WHO SATISFY THE FOLLOWING CONDITIONS WILL GET QUALIFIED TO PARTICIPATE IN THE TENDER: 1.VENDOR SHOULD HAVE MINIMUM 2 YEAR EXPERIENCE IN THIS FIELD. 2.PREVIOUS PO DETAILS FOR SUPPLYING SIMILAR KIND OF ITEMS SHOULD BE SUBMITTED ALONG WITH OFFER. OTHERWISE OFFER WILL BE REJECTED.	SET	15.000	15.00	31.10.14
20	7504D1600200 M20 FOUNDATION BOLT AS PER DRG. NO. 3M-04D-16-15277-01 WITH HEXAGON NUT NOTE: SUPPLY SHOULD BE IN ASSEMBLED CONDITION	SET	60.000	60.00	31.10.14
30	7544C1300100 SPECIFICATION FOR EXPANSION BOLT WITH NUT UNIT FOR M/C BASE FIXING WORK M16 X 150 MM LENGTH WITH CENTRE ROD UNIT COMPLETE SET OF EXPANSION BOLT. (EXPANSION BOLT CONSISTS OF FOUR PARTS. (1) EXPANSION TYPE BOLT, (2) CENTRE ROD, (3) M16 NUT (4) WASHER)	NO	650.000	650.00	31.10.14
40	7504D1000500 M36 FOUNDATION BOLT AS PER DRG. NO. 2M-04D-10-05164-01 WITH HEXAGON NUT AND PLAIN WASHER. NOTE: SUPPLY SHOULD BE IN ASSEMBLED CONDITION	SET	95.000	95.00	31.10.14
50	7544C0109000 LOW HEAD HEXAGON SOCKET HEAD (ALLEN) BOLT, SIZE: M16 X 60 MM, DIN 7984, 10.9 GRADE	NO	300.000	300.00	31.10.14

The offers should reach us 30 minutes before the time of opening of tenders.
The offers will be opened at 14.30 hrs on the due date of tender in the presence of tenderers who have submitted their offer and who may like to be present for the tender opening.Late and delayed offers are liable to be rejected.

Yours faithfully,
For **BHARAT HEAVY ELECTRICALS LIMITED**

MANAGER / PURCHASE
(FOSSIL BOILERS)
Yours faithfully,



BHARAT HEAVY ELECTRICALS LIMITED

(A Government of India Undertaking)
HIGH PRESSURE BOILER PLANT
PURCHASE DEPARTMENT - FOSSIL BOILERS
THIRUCHIRAPALLI - 620014
TAMILNADU (INDIA)

PHONE : 2577629
GRAMS : BHARATELEC
FAX NO: 2520719
E-mail: srchandran@bheltry.co.in
Web:

Page
2/2

2661400477 / 23.07.2014

60	7544C1202100 COUNTER SUNK HEAD BRASS SCREW, SIZE: M6 X 15 MM LONG.	NO	200.000	200.00	31.10.14
70	7544C1202200 COUNTER SUNK HEAD BRASS SCREW, SIZE: M5 X 15 MM LONG.	NO	200.000	200.00	31.10.14

General Note:

GENERAL NOTE : PLEASE SUBMIT YOUR OFFER IN "TWO PART BID SYSTEM" ,AS PER THE ANNEXURES ENCLOSED

ENCLOSURES:

ANNEXURE II,III,IV,V,VI,VII AND DRAWINGS(3 NOS)

Enclosures:

"LD clause has to be confirmed without fail."

"Payment to vendors will be made only thro E-Payment mode"

The offers should reach us 30 minutes before the time of opening of tenders.
The offers will be opened at 14.30 hrs on the due date of tender in the presence of tenderers who have submitted their offer and who may like to be present for the tender opening.Late and delayed offers are liable to be rejected.

Yours faithfully,
For **BHARAT HEAVY ELECTRICALS LIMITED**

MANAGER (PURCHASE
(FOSSIL BOILERS)
Yours faithfully,

CAPITAL PURCHASE
COMMERCIAL TERMS AND CONDITIONS

1.0 QUOTATIONS

The Bidders shall submit the offer in **TWO INNER ENVELOPES** as indicated below which shall be sealed in one outer envelope.

Envelope I This sealed envelope should contain all the copies of technical bid together with un-priced commercial bid & annexure III. This envelope should be clearly marked **'Part I - Technical and commercial bid'**,

Indicating Enquiry No., Due Date and Address & Reference of the Bidder.

Envelope II This sealed envelope should contain **price as per Annexure-IV format**. This envelope should be clearly marked **"Part II - Price bid"**, indicating **Enquiry No., Due Date and Address & Reference of the Bidder**.

Both the envelopes (Part I & II) shall be put in one cover (**Envelope III**), duly sealed, superscribing as Part I and Part II of Enquiry No., due date of opening and the address and reference of the Bidder

The above offer should reach this office on or before the due date by 14.00 hours (IST). Late offers will not be considered.

Tender should not be addressed to any individual's name but only by designation to

**SENIOR MANAGER /PURCHASE/ CP & SP/ MM / MFG
BHARAT HEAVY ELECTRICALS LIMITED
HIGH PRESSURE BOILER PLANT
TIRUCHIRAPALLI - 620 014
TAMIL NADU**

Tenders should be free from **CORRECTION AND ERASURES**, Corrections if any, must be attested. All Amounts shall be indicated both in words as well as in figures. Where there is difference between amount quoted in words and figures, amount quoted in words shall prevail.

Offers should be in **ENGLISH** and accompanied by detailed technical literature, catalogue and detailed dimensional drawings in **ENGLISH** or otherwise, the offers will not be considered.

2.0 OPENING OF TENDERS

The Part I - Technical & commercial bid alone would be opened on the Tender opening date.

The Part II - Price bid of technically suitable Bidders alone would be opened. The Technically Suitable Bidders would be informed about the tender opening date through e-mail.

Clarifications if any required by BHEL for Technical evaluation **would be** sought from Bidders before opening of Part II - price bid

For any queries clarifications the bidders may contact us through our FAX NO. +91 431 2520719 or through e-mail < mmcpmfg1@bheltry.co.in > & < chells@bheltry.co.in>

Bharat Heavy Electricals Limited, Tiruchirappalli -620 014
MM: CP & SP
Annexure For Techno Commercial Bid
 Check List - to be filled and submitted along with Technical Bid

Annexure-III

BHEL Commercial Terms and Conditions for Indigenous Supplies	Vendor's Confirmation / Comments
Technical confirmation to BHEL's Specification as called for in BHEL Format shall be furnished. If needed additional sheets shall be used.	
Prices shall be quoted item wise only as per the model format enclosed	
Prices shall be quoted on "FIRM PRICE" basis only The prices should be only on F.O.R / Despatching station basis with Packing & Forwarding charges if any. Applicable % of ED & Sales Tax, Freight & Insurance, Installation & Commissioning Charges should be clearly Indicated	
Validity of offer shall be for a minimum period of 120 days from the date of Tender opening	
Delivery period from the date of Letter of Intent / Purchase order shall be clearly mentioned in the offer	
Liquidated damages @ '0.5% per week subject to a maximum of 10% of the order value shall be applicable for delay in deliveries For Details Refer Annexure- v	
Following Risk Purchase clause shall be applicable The purchaser at his option will be entitled to terminate the contract and to purchase elsewhere at the risk and cost of the seller either the whole of the goods or any part which the supplier has failed to deliver or dispatch within the time stipulated or if the same were not available, the best and the nearest available substitute therefore The supplier shall be liable for any loss which the Purchaser may sustain by reason of such risk purchases	
Payment term for supply portion: Payment term is 100% direct payment after 45 days from the date of receipt and acceptance of materials For details Refer Annexure- v	
Erection / commissioning: (if applicable only) Erection / commissioning charges if any has been mentioned in the offer or else confirmation that Erection / commissioning shall be done at free of cost is available in the offer,	
The equipment shall be guaranteed for a period of 12 months from the date of commissioning	
Final inspection and acceptance of equipment will be after installation at BHEL, Trichy	
The vendor shall provide necessary drawings, Test Certificates and Operating Maintenance Manuals etc., as called for in the Technical Specification, in the required number of copies at no extra cost	
Any warranty replacement during warranty period shall be supplied free of charge on FOR BHEL, Trichy basis.	
Offers should be submitted only in sealed cover super-scribing clearly the Enquiry reference and due date.	
% of Excise Duty with cess	
% of TAX (CST/VAT)-(INGST with FORM-17 or CST with C-FORM)	
Packing & Forwarding Charges (if any in % only)	
Percentage of Freight& transit insurance charges, if any Freight charges from Dispatching station to BHEL, Tiruchirappalli • Supplier should quote for F.O.R-BHEL Trichy Stores.	
As per Commercial terms and conditions, acceptance for participation in Reverse auction (RA).Yes/No to be indicated	
Name of the person for participating reverse auction	
Land Line Number	
Fax Number	
Mobile Number	
E-mail ID	

NOTE:-

- It is confirmed that all the terms and conditions stipulated In the Enquiry have been fully understood by us and all clarifications & details have been obtained.
- Your offer should be indicating applicable If any P&F Charges, % of ED, Sales Tax -CST or VAT, Service Tax), Freight, Insurance and Installation and Commissioning Charges etc., as per our Price Format
- Your specific acceptance to our Payment terms, LD & Risk Purchase Clause are essential for consideration of your offer. Other wise your offer is liable for rejection.
- No row shall be left blank. Please indicate NA, in case the item is "not applicable"

Payment Term (Indigenous)	
If materials are receivable at Stores/Trichy without PBG	Payment term is 100% direct payment after 45 days from the date of receipt and acceptance of materials.
If materials are receivable at Stores/Trichy with PBG	Payment term is 100% direct payment after 45 days from the date of receipt and acceptance of materials and against 10% PBG valid for the warranty period.
Any deviation in the above payment term will attract loading as mentioned below. “Base rate of SBI (as applicable on the date of bid opening. Techno-commercial bid opening in case of two part bids) + 6% shall be considered for loading for the period of relaxation sought by bidders.	

Payment through Bank is not preferred. In case of Payment through Bank is opted by Supplier, BHEL prefers documents submission through bank with copy of LR and door delivery of Goods to Site/Stores with Consignee copy attached. In this case Loading will be 3% on the offered value.

Offers of indigenous Suppliers with payment terms as LC/Advance Payment are liable for rejection.

Liquidated Damages / Penalty -

Liquidated damages shall be 0.5% of the total order value per week or part thereof subject to a maximum of 10% of the total order value.

For staggered delivery schedule, LD shall be 0.5% of the undelivered portion per week of the delay or part thereof subject to a maximum of 10% of the total order value.

Any deviation from the above LD clause, loading will be applied to the extent to which it is not agreed by the bidder (at offered value).

Guarantee / Warranty Period – (if applicable)

Normally No deviation permitted and the deviated offers are liable for rejection.

Ranking-

BHEL will consider the ranking after the loading is applied as referred above wherever deviations are observed.

Performance Bank Guarantee – (if applicable)

Normally No deviation permitted and the deviated offers are liable for rejection.

NOTE:-

1. If the due date of tender opening happens to be a holiday, the tenders will be opened on the next working day.
2. BHEL reserves the right to go for a reverse auction (RA) instead of opening the submitted sealed bid which will be decided after technical evaluation. Information and general terms and conditions covering RA are given in commercial terms and conditions.
3. Corrigendum if any, with respect to this tender will be hosted only in the website <http://www.bhel.com> or <http://tenders.gov.in>. You are requested to visit the website regularly for updates.

Special Provisions for Micro and Small Enterprises (MSE)

1. 20% of the tendered quantity is earmarked for MSE suppliers in this tender.
2. Out of the 20% tendered quantity reserved for MSE suppliers, 4% shall be earmarked for procurement from MSE owned by SC/ST entrepreneurs.
3. In case MSE vendor participating in the tender quotes within the price band of L1+15%, they will be allowed to supply the portion of the requirement subject to acceptance of L1 price by MSE vendor. In case of more than one such MSE, the supply shall be shared proportionately.
4. "MSE suppliers can avail the intended benefits only if they submit along with the offer, attested copies of either EM II certificate having deemed validity (five years from the date of issue of acknowledgement in EM-II) or valid NSIC certificate or EM II certificate along with attested copy of a CA certificate (Format enclosed at Annexure -VII where deemed validity of EM II certificate of five Years has expired) applicable for the relevant financial year (latest audited). Date to be reckoned for determining the deemed validity will be the date of bid opening (Part I in case of two part bid). Non submission of such documents will lead to consideration of their bid at par with other bidders. No benefit shall be applicable for this enquiry if any deficiency in the above required documents are not submitted before price bid opening. If the tender is to be submitted through e-procurement portal, then the above required documents are to be uploaded on the portal. Documents should be notarized or attested by a Gazetted officer."

Certificate by Chartered Accountant on letter head

This is to Certify that MIS
(hereinafter referred to as 'company') having its registered office at
..... is registered under MSMED Act 2006, (Entrepreneur
Memorandum No (Part—II) dtd.
Category:,..... (Micro/Small)). (Copy enclosed).

Further verified from the Books of Accounts that the investment of the company
as per the latest audited financial year as per MSMED Act 2006 is as follows:

For Manufacturing enterprises: Investment in plant and machinery (i.e original cost
excluding land and building and the items specified by the Ministry of Small Scale Industries vide its
notification No.S.O,1722(E) dated October 6. 2006:

Rs... ..Lacs

2. **For Service Enterprises:** Investment in equipment (original cost excluding land and building and
furniture, fittings and other items not directly related to the service rendered Or as may be notified under the
MSMED Act, 2006.

Rs..... Lacs

(Strike off whichever is not applicable)

The above investment of RsLacs is within permissible limit of
Rs..... Lacs for Micro I Small (Strike off which is not applicable)
Category under MSMED Act 2006.

Or

The company has been graduated from its original category (Micro/ Small) (Strike off which is not
applicable) and the date of graduation of such enterprise from its original category is
(dclimmiyyyy) which is within the period of 3 years from the date of graduation of such
enterprise from its original category as notified vide S.D. No. 3322(E) dated 01.11.2013
published in the gazette notification dated 04.11.2013 by Ministry of MSME.

Date:

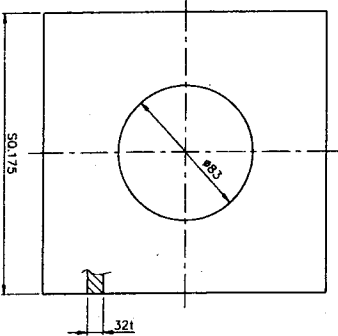
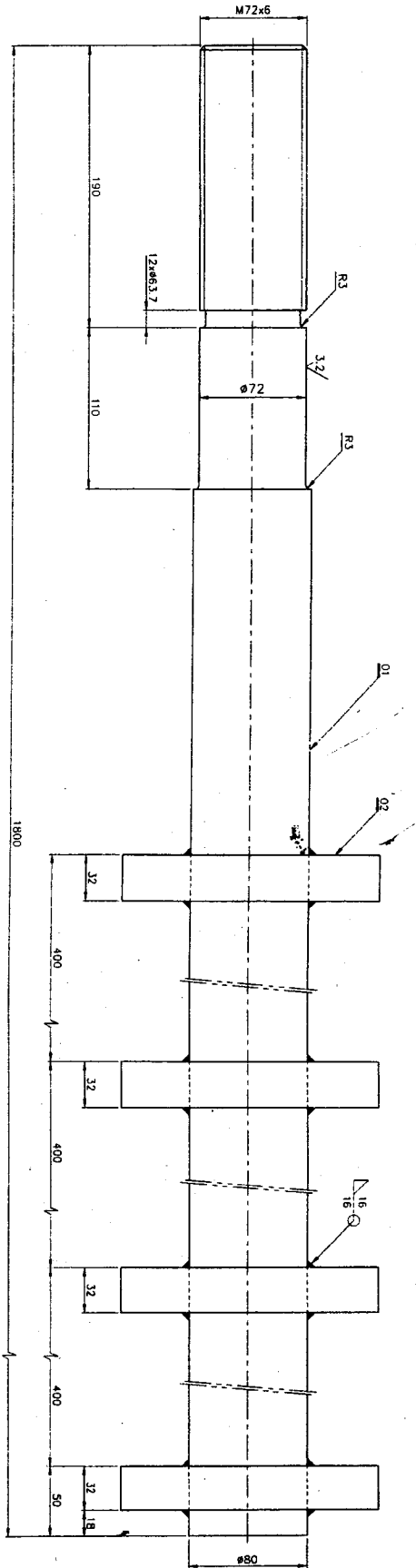
(Signature)

Name -

Membership number -

Seal of Chartered Accountant

DRAWING NO. 2M17A2305159



REV	DATE	BY	CHKD	DESCRIPTION
01				

CAUTION: THE INFORMATION ON THIS DOCUMENT IS THE PROPERTY OF BHARAT HEAVY ELECTRICALS LIMITED. IT MUST NOT BE USED DIRECTLY OR INDIRECTLY IN ANY WAY DETRIMENTAL TO THE INTEREST OF THE COMPANY.

REV	DATE	BY	CHKD	DESCRIPTION	ITEM NO.	QTY	UNIT WT
02	15.12.20			PL-300-164416			8.00
01	15.11.82			ROD Ø80x1800			71.00

PL-300-164416	15.2062	4	8.00
IS. 1720	E 250 A	15.2004	71.00
IS. 1782	45CB	1	

ITEM NO.	DESCRIPTION	DRAWING NO.	MATERIAL SPEC.	MATERIAL CODE	UNIT WT

EXPT.	STRIGHTENING PRESS-ISOCC 600T	DATE	15.12.20
DRW. NO.		BY	
CHKD.		CHKD.	
APPD.		APPD.	

SCALE	1:2	WEIGHT (KG)	10.00
DATE	15.12.20	REF TO LAST DRG. NO.	
TITLE	FOUNDATION BOLT	DRAWING NO.	2M17A2305159

NOTE:-
SHARP CORNERS TO BE REMOVED
ALL WELDED CONSTRUCTION

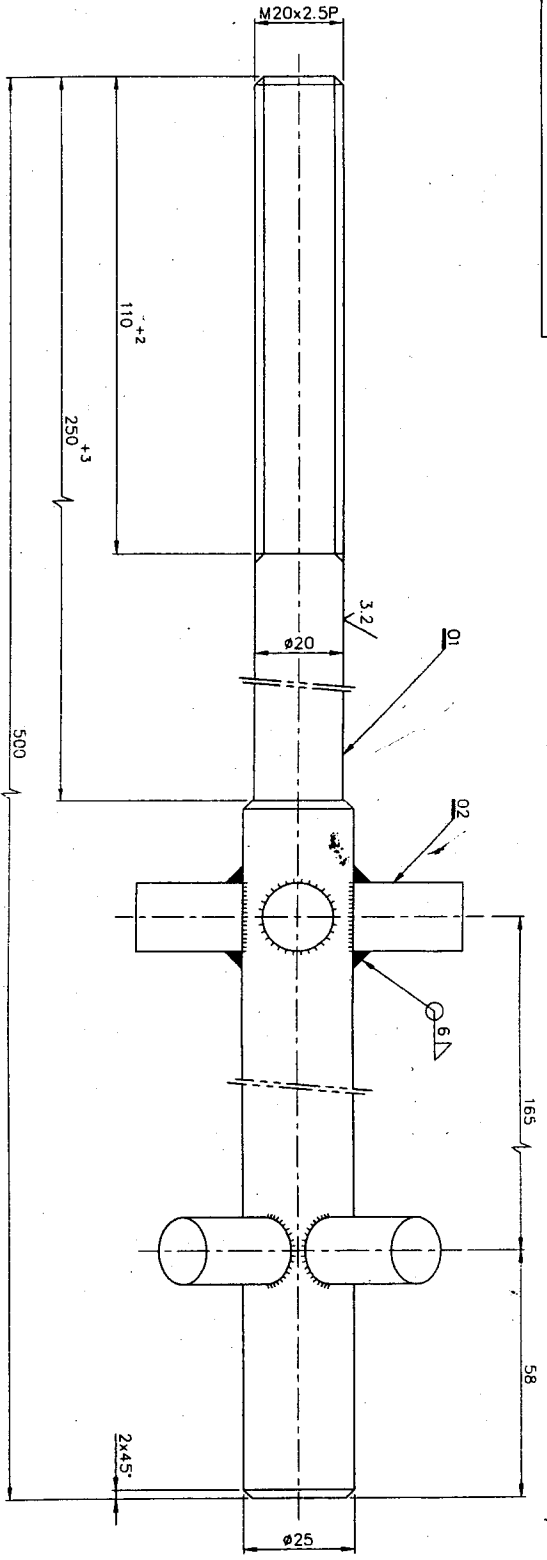


ALL DIMENSIONS ARE IN MILLIMETERS

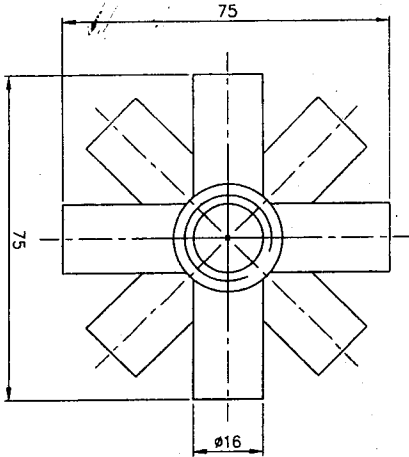
A2-SIZE

DRAWING NO: 3M04D1615277

ALL DIMENSIONS ARE IN MILLIMETRES



NOTE: - ALL WELDED CONSTRUCTION
SHARP CORNERS TO BE REMOVED



NO.	DATE	ALTERED BY	CHECKED BY	APPROVED BY
01	08.06.14	S.SELVAMANNICKAM	G.GONDOORAL	S.S. INKERSAL
IS: 1762 WAS IS: 1732				

CAUTION: THE INFORMATION ON THIS DOCUMENT IS THE PROPERTY OF BHAKAT HEAVY ELECTRICALS LIMITED. IT MUST NOT BE USED DIRECTLY OR INDIRECTLY IN ANY WAY DETRIMENTAL TO THE INTEREST OF THE COMPANY.

ITEM NO	DESCRIPTION	DRAWING NO	MATL SPEC	MATL CODE	UNIT WT	QTY
02	ROD ø16x28 IS: 1762			45C8	IS: 2004	0.04
01	ROD ø25x500 IS: 1762			45C8	IS: 2004	1.92

EOP: CNC GANTRY HEADER PIPE DRILLING BFW (BHFL 869 MODEL) Bhakt Heavy Electricals Ltd HIGH PRESSURE BOILER PLANT TRUCHIRAPALLI - 620014	NAME: S.SELVAMANNICKAM DESIG: GONDOORAL DATE: 02.06.14	SIGNATURE: <i>S. Selvamannickam</i> DATE: 02.06.14
S.P. INKERSAL DATE: 03.06.14	S.P. INKERSAL DATE: 03.06.14	S.P. INKERSAL DATE: 03.06.14

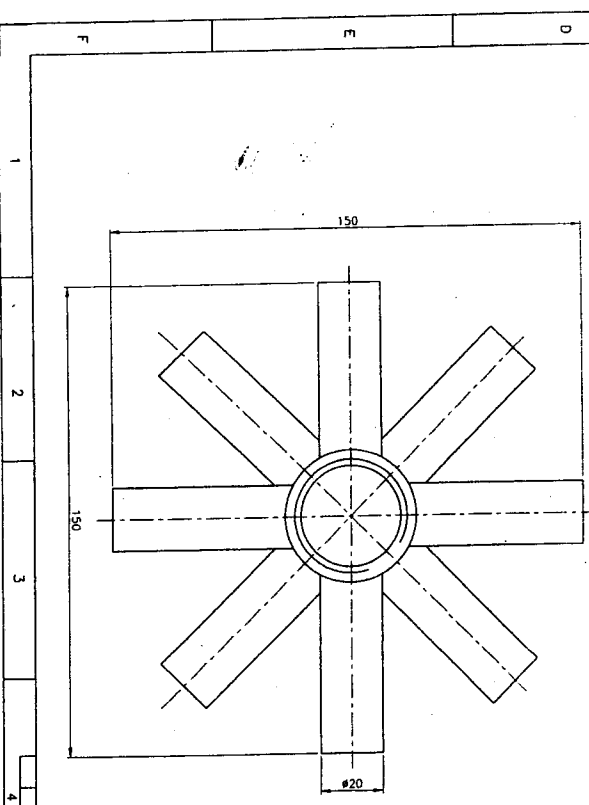
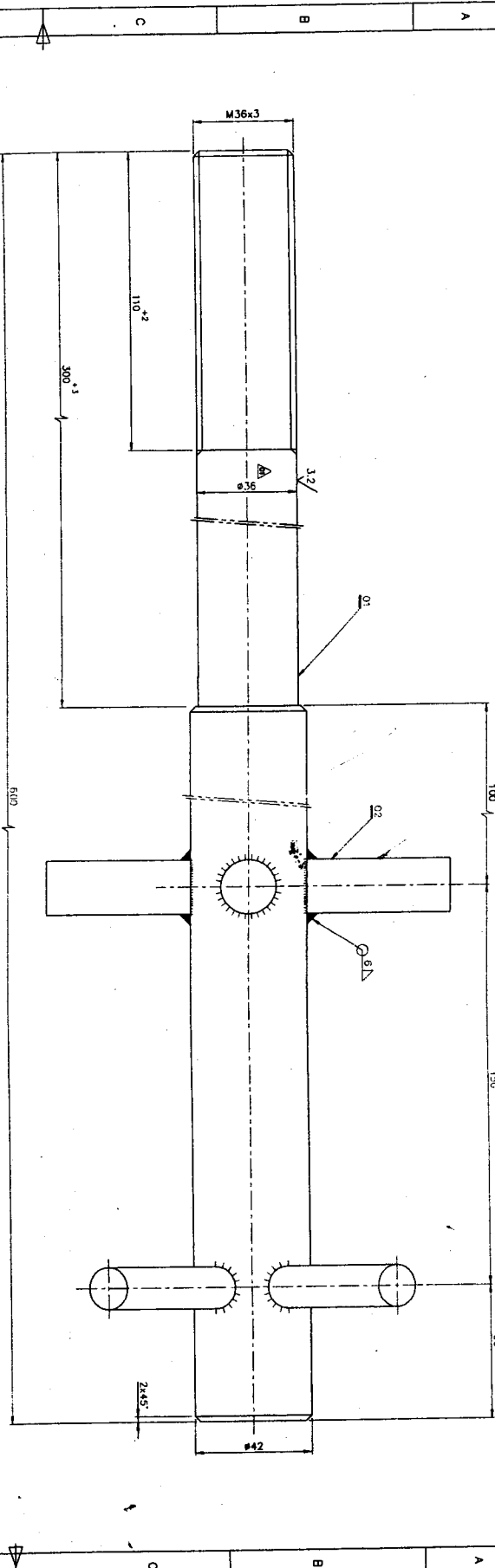
DEPT: MAS CODE: 2987 TITLE: FOUNDATION BOLT	GRADE OR UNITS: 6/M/1/1 IS: 2002	SCALE: 1:1	WEIGHT (KGS): 2.24	REF TO OLD Dwg NO: REF TO NEW Dwg NO:	DRAWING NO: 3M04D1615277
---	-------------------------------------	------------	--------------------	--	--------------------------

A3-SIZE



DRAWING NO: 2-M-04D10-05164

ALL DIMENSIONS ARE IN MILLIMETERS



NOTE:-
ALL WELDED CONSTRUCTION
SHARP CORNERS TO BE REMOVED.

CAUTION: THE INFORMATION ON THIS DOCUMENT IS THE PROPERTY OF BHARAT HEAVY ELECTRICALS LIMITED. IT MUST NOT BE USED DIRECTLY OR INDIRECTLY IN ANY WAY DETRIMENTAL TO THE INTEREST OF THE COMPANY.

ITEM NO	DESCRIPTION	DRAWING NO	MATL SPEC	MATL CODE	UNIT WT
02	ROD #20x57		IS:2004		0.14
	IS:1782		45C8		8
01	ROD #42x800		IS:2004		8.52
	IS:1782		45C8		1

DATE	15/08/2014	SCALE	1:1
BY	U/01	WEIGHT (kg)	7.84
CHECKED		REF TO OLD DRAWING NO	
APPROVED			
DESIGNED			

REP'D BY	TRUCHARAN ALU	DATE	11/08/14
DESIGNER		SCALE	1:1
CHECKED		WEIGHT (kg)	7.84
APPROVED		REF TO OLD DRAWING NO	
DESIGNED			

COMPANY	Bharat Heavy Electricals Ltd	ADDRESS	53, VANDANA, COCHIN, S.P. INDIA
PROJECT	HIGH PRESSURE BREAKER PLANT	DATE	11/08/14
CLIENT	TRUCHARAN ALU - 620014	SCALE	1:1
DESIGNER		WEIGHT (kg)	7.84
CHECKED		REF TO OLD DRAWING NO	
APPROVED			
DESIGNED			

TITLE	FOUNDATION BOLT	DRAWING NO	2-M-04D10-05164
SCALE	1:1	WEIGHT (kg)	7.84
REF TO OLD DRAWING NO			