



# BHARAT HEAVY ELECTRICALS LIMITED

( A Government of India Undertaking )  
HIGH PRESSURE BOILER PLANT  
PURCHASE DEPARTMENT - FOSSIL BOILERS  
THIRUCHIRAPALLI - 620014  
TAMILNADU (INDIA)

Page  
1/2  
PHONE :2577629  
GRAMS : BHARATELEC  
FAX NO: 2520719  
E-mail: srchandran@bheltry.co.in  
Web:

429-002/A

Enquiry No	Enquiry Date	Due Date for Quotation
2661400772 - 55	25.10.2014	25.11.2014

Please quote Enquiry No, Date and due date in all correspondences.  
This is only a request for quotation and not an order

Item	Description	Unit	Quantity	Delivery Quantity	Schedule Date
10	<p>7512A2503200 WORM WHEEL ASSY AS PER DRG. NO. 3-M-12A25-15244 NOTE FOR SL.NO. 10 AND 20: (1) ITEM NO. 10 AND 20 ARE MATING COMPONENTS.HENCE THESE ITEMS SHOULD BE PROCURED FROM SINGLE SOURCE ONLY. (2) AFTER PLACEMENT OF PURCHASE ORDER ONE NUMBER OF WORM WHEEL AND ONE NUMBER OF WORM SHAFT HAS TO BE SUPPLIED FOR BHEL ACCEPTANCE PREFERABLY WITHIN 3 WEEKS. AFTER ACCEPTANCE OF SAMPLE ONLY BALANCE QUANTITY TO BE SUPPLIED. ACCEPTENCE BY BHEL WILL BE GIVEN WITHIN 2 WEEKS. THIS PERIOD (3+2 = 5 WEEKS) IS TO BE TAKEN INTO ACCOUNT WHILE QUOTING DELIVERY PERIOD BY THE SUPPLIER. COMMON NOTE FOR ALL ITEMS: VENDOR SHALL SUBMIT THE MATERIAL TEST CERTIFICATE OBTAINED FROM APPROVED AGENCIES ALONG WITH DELIVERY OF THE MATERIAL. VENDOR QUALIFYING CRITERIA: Only those vendors who satisfy the following conditions will get qualified to participate in the tender: 1. Vendor should have minimum 3 years of experience in this field. 2. Previous PO details for supplying similar kind of items to BHEL and/or any-other Organisation should be submitted along with offer r.Otherwise offer will be rejected. 3. Company profile details has to be provided along with offer. 4. BHEL reserves the right to visit the vendor's works for verifying the manufacturing facilities and any other credential furnished by the vendor. In case the information furnished with the offers found to be false /incorrect, the offer shall be rejected.</p>	NO	4.000	4.00	16.02.15
20	7512A2503300	NO	4.000	4.00	16.02.15

The offers should reach us 30 minutes before the time of opening of tenders.  
The offers will be opened at 14.30 hrs on the due date of tender in the presence of tenderers who have submitted their offer and who may like to be present for the tender opening.Late and delayed offers are liable to be rejected.

**VIGILANCE AWARENESS WEEK**

**27 th OCT to 1st NOV 2014**

**FOR VIGILANCE RELATED COMPLAINTS,**

**CONTACT DGM/VIGILANCE**

**PHONE:0431-2577552,2577636**

Yours faithfully,  
For **BHARAT HEAVY ELECTRICALS LIMITED**

MANAGER / PURCHASE  
(FOSSIL BOILERS)

Yours faithfully,



# BHARAT HEAVY ELECTRICALS LIMITED

( A Government of India Undertaking )  
HIGH PRESSURE BOILER PLANT  
PURCHASE DEPARTMENT - FOSSIL BOILERS  
THIRUCHIRAPALLI - 620014  
TAMILNADU (INDIA)

Page  
2/2

PHONE :2577629  
GRAMS : BHARATELEC  
FAX NO: 2520719  
E-mail: srchandran@bheltry.co.in  
Web:

2661400772 / 25.10.2014

WORM SHAFT AS PER DRG. NO.  
3-M-12A25-15245

30	7503A2202500 GEAR BOX FLANGE AS PER DRG.NO. 2-M-03A22-05160-01	NO	2.000	2.00	16.02.15
40	7504B1707700 RACK HELICAL 503L AS PER DRG.NO. 2-M-04B17-05197 NOTE FOR SL.NO. 40 AND 50: (1) FOR ITEM NO. 40 AND 50 ARE MATING COMPONENTS. HENCE THESE ITEMS SHOULD BE PROCURED FROM SINGLE SOURCE ONLY. (2) AFTER PLACEMENT OF PURCHASE ORDER FIVE NUMBERS OF RACK AND TWO NOS OF PINION SHAFT HAS TO BE SUPPLIED FOR BHEL ACCEPTANCE PREFERABLY WITHIN 3 WEEKS. AFTER ACCEPTANCE OF SAMPLE ONLY BALANCE QUANTITY TO BE SUPPLIED. ACCEPTENCE BY BHEL WILL BE GIVEN WITHIN 2 WEEKS. THIS PERIOD (3+2 = 5 WEEKS) IS TO BE TAKEN INTO ACCOUNT WHILE QUOTING DELIVERY PERIOD BY THE SUPPLIER.	NO	40.000	40.00	16.02.15
50	7504B1707800 PINION SHAFT (HELICAL) DIA. 72.92 x 12T AS PER DRG.NO. 3-M-04B17-15300-01	NO	4.000	4.00	16.02.15

**General Note:**

**Enclosures:**

"LD clause has to be confirmed without fail."

The offers should reach us 30 minutes before the time of opening of tenders.  
The offers will be opened at 14.30 hrs on the due date of tender in the presence of  
tenderers who have submitted their offer and who may like to be present for the tender  
opening. Late and delayed offers are liable to be rejected.

**VIGILANCE AWARENESS WEEK**


**27 th OCT to 1st NOV 2014**

**FOR VIGILANCE RELATED COMPLAINTS,**

**CONTACT DGM/VIGILANCE**

**PHONE:0431-2577552,2577636**

Yours faithfully,  
For **BHARAT HEAVY ELECTRICALS LIMITED**

  
MANAGER / PURCHASE  
(FOSSIL BOILERS)  
Yours faithfully,

**CAPITAL PURCHASE**  
**COMMERCIAL TERMS AND CONDITIONS**

**1.0 QUOTATIONS**

The Bidders shall submit the offer in **TWO INNER ENVELOPES** as indicated below which shall be sealed in one outer envelope.

**Envelope I** This sealed envelope should contain all the copies of technical bid together with un-priced commercial bid & annexure III. This envelope should be clearly marked **'Part I - Technical and commercial bid'**,

Indicating Enquiry No., Due Date and Address & Reference of the Bidder.

**Envelope II** This sealed envelope should contain **price as per Annexure-IV format**. This envelope should be clearly marked **"Part II - Price bid"**, indicating **Enquiry No., Due Date and Address & Reference of the Bidder**.

Both the envelopes (Part I & II) shall be put in one cover (**Envelope III**), duly sealed, superscribing as Part I and Part II of Enquiry No., due date of opening and the address and reference of the Bidder

The above offer should reach this office on or before the due date by 14.00 hours (IST). Late offers will not be considered.

Tender should not be addressed to any individual's name but only by designation to

**SENIOR MANAGER /PURCHASE/ CP & SP/ MM / MFG  
BHARAT HEAVY ELECTRICALS LIMITED  
HIGH PRESSURE BOILER PLANT  
TIRUCHIRAPALLI - 620 014  
TAMIL NADU**

Tenders should be free from **CORRECTION AND ERASURES**, Corrections if any, must be attested. All Amounts shall be indicated both in words as well as in figures. Where there is difference between amount quoted in words and figures, amount quoted in words shall prevail.

Offers should be in **ENGLISH** and accompanied by detailed technical literature, catalogue and detailed dimensional drawings in **ENGLISH** or otherwise, the offers will not be considered.

**2.0 OPENING OF TENDERS**

The Part I - Technical & commercial bid alone would be opened on the Tender opening date.

The Part II - Price bid of technically suitable Bidders alone would be opened. The Technically Suitable Bidders would be informed about the tender opening date through e-mail.

Clarifications if any required by BHEL for Technical evaluation **would be** sought from Bidders before opening of Part II - price bid

**For any queries clarifications the bidders may contact us through our FAX NO. +91 431 2520719 or through e-mail <mmcpmfg1@bheltry.co.in >&< chells@bheltry.co.in>**

**MM: CP & SP**  
**Annexure For Techno Commercial Bid**

Check List - to be filled and submitted along with Technical Bid

BHEL Commercial Terms and Conditions for Indigenous Supplies	Vendor's Confirmation / Comments
Technical confirmation to BHEL's Specification as called for in BHEL Format shall be furnished. If needed additional sheets shall be used.	
Prices shall be <b>quoted Item wise</b> only as per the model format enclosed	
Prices shall be quoted on " <b>FIRM PRICE</b> " basis only The prices should be only on <b>F.O.R / Despatching station</b> basis with <b>Packing &amp; Forwarding</b> charges if any. <b>Applicable % of ED &amp; Sales Tax, Freight &amp; Insurance, Installation &amp; Commissioning Charges should be clearly Indicated</b>	
<b>Validity of offer</b> shall be for a minimum period of 120 days from the date of Tender opening	
Delivery period from the date of Letter of Intent / Purchase order shall be clearly mentioned in the offer	
<b>Liquidated damages @ 0.5% per week</b> subject to a maximum of 10% of the order value shall be applicable for delay in deliveries <b>For Details Refer Annexure- v</b>	
<b>Following Risk Purchase clause</b> shall be applicable The purchaser at his option will be entitled to terminate the contract and to purchase elsewhere at the risk and cost of the seller either the whole of the goods or any part which the supplier has failed to deliver or dispatch within the time stipulated or if the same were not available, the best and the nearest available substitute therefore The supplier shall be liable for any loss which the Purchaser may sustain by reason of such risk purchases	
<b>Payment term for supply portion:</b> Payment term is 100% direct payment after 45 days from the date of receipt and acceptance of materials <b>For details Refer Annexure- v</b>	
Erection / commissioning: (if applicable only) Erection / commissioning charges if any has been mentioned in the offer or else confirmation that Erection /commissioning shall be done at free of cost is available in the offer,	
The equipment shall be guaranteed for a period of 12 months from the date of commissioning	
Final inspection and acceptance of equipment will be after installation at BHEL, Trichy	
The vendor shall provide necessary drawings, Test Certificates and Operating Maintenance Manuals etc., as called for in the Technical Specification, in the required number of copies at no extra cost	
Any warranty replacement during warranty period shall be supplied free of charge on FOR BHEL, Trichy basis.	
Offers should be submitted only in <b>sealed cover super-scribing clearly the Enquiry reference and due date.</b>	
% of Excise Duty with cess	
% of TAX (CST/VAT)-(INGST with FORM-17 or CST with C-FORM)	
Packing & Forwarding Charges ( if any in % only)	
Percentage of Freight& transit insurance charges, if any Freight charges from Dispatching station to BHEL, Tiruchirappalli • Supplier should quote for F.O.R-BHEL Trichy Stores.	
As per Commercial terms and conditions, acceptance for participation in Reverse auction (RA).Yes/No to be indicated	
Name of the person for participating reverse auction	
Land Line Number	
Fax Number	
Mobile Number	
E-mail ID	

## NOTE:-

- It is confirmed that all the terms and conditions stipulated in the Enquiry have been fully understood by us and all clarifications & details have been obtained.
- Your offer should be indicating applicable if any P&F Charges, % of ED, Sales Tax -CST or VAT, Service Tax), Freight, Insurance and Installation and Commissioning Charges etc., as per our Price Format
- Your specific acceptance to our Payment terms, LD & Risk Purchase Clause are essential for consideration of your offer. Other wise your offer is liable for rejection.
- No row shall be left blank. Please indicate NA, in case the item is "not applicable"

## Annexure For Price Bid

**Bharat Heavy Electricals Limited TIRUCHIRAPPALLI CAPITAL PURCHASE**  
**MODEL PRICE BID FORMAT FOR INDIAN BIDDERS**

Annexure-IV

Enquiry No. & Date:

Bidder's Offer No. & Date:

SI No	Description of item	Unit	Quantity	Rate in Rs.	Value in Rs.
	<b>TOTAL VALUE IN RS.</b>				
	<b>Packing &amp; Forwarding charges in % if any</b>				
	<b>Freight &amp; Insurance Charges In % if freight charges are not mentioned it will be considered as FOR-BHEL TRICHY.</b>				
	<b>Excise Duty (indicate in %)</b>				
	<b>A) TNGST — VAT (%)</b>				
	<b>B) CST with C-FORM — (%)</b>				
	<b>C) CST without C-Form — (%)</b>				
	<b>Approximate Net weight of the total consignment</b>				
	<b>Approximate Gross weight of the total consignment</b>				
	<b>Approximate Dimensions of the Consignment</b>				
	<b>The price indicated shall be inclusive of all accessories, spares etc. as given in the scope of supply. Individual item-wise break-up price shall be attached as an annexure to this price bid format.</b>				

Signature & Seal of Vendor

**NOTE:**

1. The price bid should be submitted only as per the above format. No row shall be left blank. Please indicate NA, in case the item is "not applicable".
2. Prices shall be quoted item-wise only as per the above format.
3. If Price quoted is Inclusive of ED, the included ED Value and Base Value shall be indicated item-wise.

<b>Payment Term (Indigenous)</b>	
<b>If materials are receivable at Stores/Trichy <u>without</u> PBG</b>	Payment term is 100% direct payment after 45 days from the date of receipt and acceptance of materials.
<b>If materials are receivable at Stores/Trichy <u>with</u> PBG</b>	Payment term is 100% direct payment after 45 days from the date of receipt and acceptance of materials and against 10% PBG valid for the warranty period.
Any deviation in the above payment term will attract loading as mentioned below. “Base rate of SBI (as applicable on the date of bid opening. Techno-commercial bid opening in case of two part bids) + 6% shall be considered for loading for the period of relaxation sought by bidders.	

Payment through Bank is not preferred. In case of Payment through Bank is opted by Supplier, BHEL prefers documents submission through bank with copy of LR and door delivery of Goods to Site/Stores with Consignee copy attached. In this case Loading will be 3% on the offered value.
Offers of indigenous Suppliers with payment terms as LC/Advance Payment are liable for rejection.

<b>Liquidated Damages / Penalty -</b>
Liquidated damages shall be 0.5% of the total order value per week or part thereof subject to a maximum of 10% of the total order value.
For staggered delivery schedule, LD shall be 0.5% of the undelivered portion per week of the delay or part thereof subject to a maximum of 10% of the total order value.
Any deviation from the above LD clause, loading will be applied to the extent to which it is not agreed by the bidder (at offered value).

<b>Guarantee / Warranty Period – (if applicable)</b>
Normally No deviation permitted and the deviated offers are liable for rejection.

<b>Ranking-</b>
BHEL will consider the ranking after the loading is applied as referred above wherever deviations are observed.

<b>Performance Bank Guarantee – (if applicable)</b>
Normally No deviation permitted and the deviated offers are liable for rejection.

**NOTE:-**

1. If the due date of tender opening happens to be a holiday, the tenders will be opened on the next working day.
2. BHEL reserves the right to go for a reverse auction (RA) instead of opening the submitted sealed bid which will be decided after technical evaluation. Information and general terms and conditions covering RA are given in commercial terms and conditions.
3. Corrigendum if any, with respect to this tender will be hosted only in the website <http://www.bhel.com> or <http://tenders.gov.in>. You are requested to visit the website regularly for updates.

**Special Provisions for Micro and Small Enterprises (MSE)**

1. 20% of the tendered quantity is earmarked for MSE suppliers in this tender.
2. Out of the 20% tendered quantity reserved for MSE suppliers, 4% shall be earmarked for procurement from MSE owned by SC/ST entrepreneurs.
3. In case MSE vendor participating in the tender quotes within the price band of L1+15%, they will be allowed to supply the portion of the requirement subject to acceptance of L1 price by MSE vendor. In case of more than one such MSE, the supply shall be shared proportionately.
4. "MSE suppliers can avail the intended benefits only if they submit along with the offer, attested copies of either EM II certificate having deemed validity (five years from the date of issue of acknowledgement in EM-II) or valid NSIC certificate or EM II certificate along with attested copy of a CA certificate (Format enclosed at Annexure -VII where deemed validity of EM II certificate of five Years has expired) applicable for the relevant financial year (latest audited). Date to be reckoned for determining the deemed validity will be the date of bid opening (Part 1 in case of two part bid). Non submission of such documents will lead to consideration of their bid at par with other bidders. No benefit shall be applicable for this enquiry if any deficiency in the above required documents are not submitted before price bid opening. If the tender is to be submitted through e-procurement portal, then the above required documents are to be uploaded on the portal. Documents should be notarized or attested by a Gazetted officer."

**Certificate by Chartered Accountant on letter head**

This is to Certify that M/S .....  
(hereinafter referred to as 'company') having its registered office at .....  
is registered under MSMED Act 2006, (Entrepreneur  
Memorandum No (Part-II) ..... dtd:.....,  
Category: ..... (Micro/Small)). (Copy enclosed).

Further verified from the Books of Accounts that the investment of the company as on  
date..... as per MSMED Act 2006 is as follows:

1. **For Manufacturing Enterprises:** Investment in plant and machinery (i.e. original cost excluding land and building and the items specified by the Ministry of Small Scale Industries vide its notification No.S.O.1722(E) dated October 5, 2006 :  
Rs.....Lacs
2. **For Service Enterprises:** Investment in equipment (original cost excluding land and building and furniture, fittings and other items not directly related to the service rendered or as may be notified under the MSMED Act, 2006:  
Rs.....Lacs

The above investment of Rs.....Lacs is within permissible limit of  
Rs.....Lacs for .....Micro / Small (~~Strike off which is not applicable~~)  
Category under MSMED Act 2006.

Date:

(Signature)

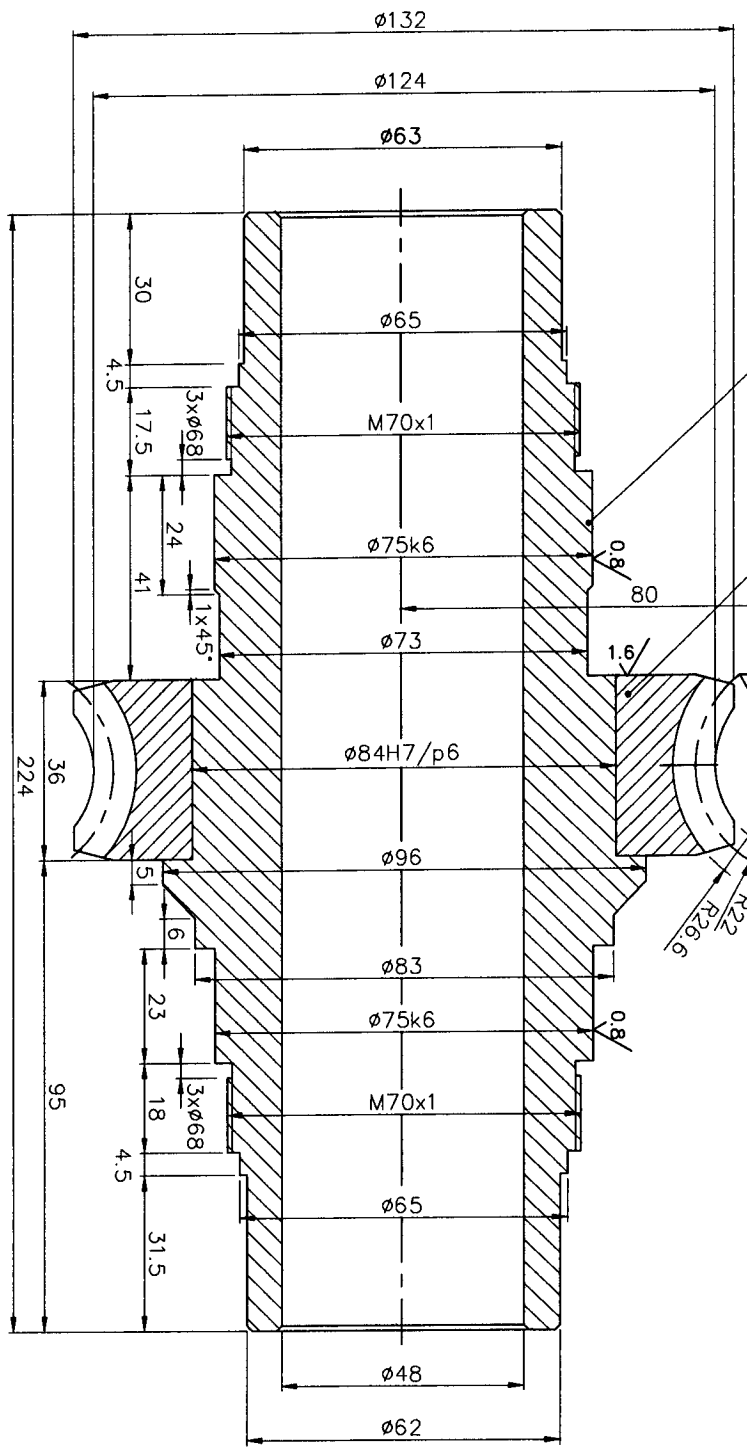
Name -

Membership number -

Seal of Chartered Accountant

DRAWING NO: 4425152V21W3 3M12A2515244

01 02



ALL DIMENSIONS ARE IN MILLIMETRES

ø75k6	+0.021	ø84H7	+0.030	ø84p6	+0.059
	+0.002		+0.000		+0.037

3.2/1.6/0.8  
1/1.6/1.6

NO. OF TEETH	29
MODULE	4
PRESSURE ANGLE	20°
HELIX ANGLE	51°1'39"
HAND OF HELIX	RH
MATING WORM NO. OF STARTS	SINGLE
MATING GEAR DRAWING NO:	3M12A2515245
CENTRE DISTANCE	80

NOTE:  
AVOID ALL SHARP CORNERS  
HARDENED TO HRC 35 ±2

REV	DATE	ALTERED	APPROVED

CAUTION: THE INFORMATION ON THIS DOCUMENT IS THE PROPERTY OF BHARAT HEAVY ELECTRICALS LIMITED. IT MUST NOT BE USED DIRECTLY OR INDIRECTLY IN ANY WAY DETRIMENTAL TO THE INTEREST OF THE COMPANY.

02	WORM WHEEL OD132XID84X36	IS 28	1	PCUSn7
01	WORM HUB OD96XID48X224L	IS 5517	1	55C8

DEPT. M/S	GRADE OF UNTIL DIM	SCALE	WEIGHT (Kg)
2397	ø/M/F IS-2102	1:1	-

EOPF: CNC PIPE BENDING / PINES 150 / LOC.No. 3872 4178		NAME	DATE
Bharat Heavy Electricals Ltd		G. GOVINDARAJ	05.03.14
HIGH PRESSURE BOILER PLANT		R. RAMAMOORTHY	15.09.14
TRUCHIRAPALLI - 620014		G. THIAGARAJAN	17.09.14

TITLE	CARD CODE	DRAWING NO :	REV
WORM WHEEL ASSY. Ø132x224L (CARRIAGE UNIT GEAR BOX)	U 01	3M12A2515244	00

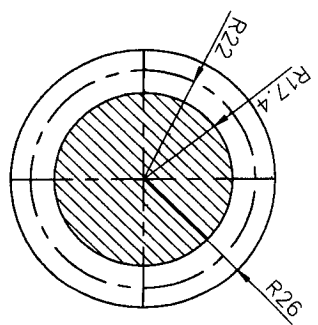
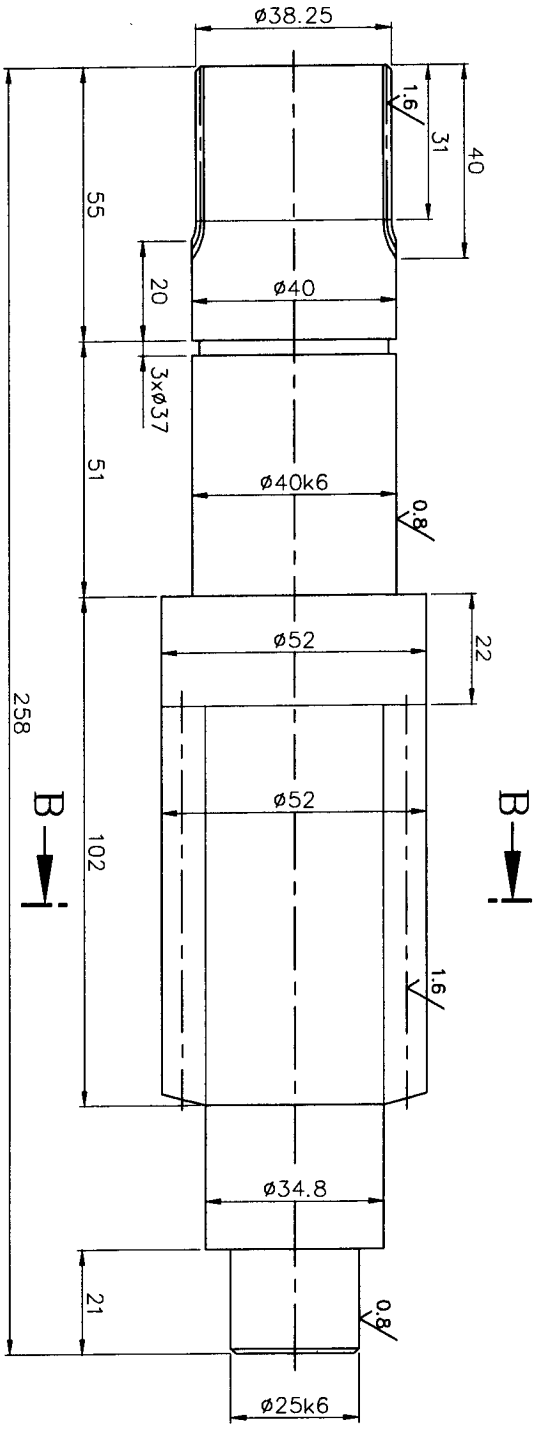
A3-SIZE

DRAWING NO: 3M12A2515244

ALL DIMENSIONS ARE IN MILLIMETRES

Ø40k6	+0.018	Ø25k6	+0.015
	+0.002		+0.002

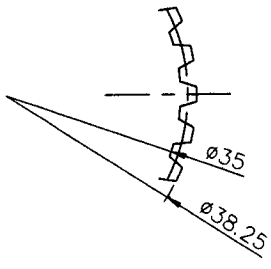
3.2/1.6/0.8



SEC-BB

**INVOLUTE SPLINE**

NO. OF TEETH	29
MODULE	1.25
PRESSURE ANGLE	30°



NO. OF STARTS	SINGLE
MODULE	4
AXIAL PITCH	12.56
PRESSURE ANGLE	20°
LEAD ANGLE	51°1'39"
HAND OF HELIX	RH
MATING WORM NO. OF TEETH	29
MATING GEAR DRAWING NO.	3M12A2515244
CENTRE DISTANCE	80

NOTE:  
 AVOID ALL SHARP CORNERS  
 HARDENED TO HRC 35 ±2

CAUTION: THE INFORMATION ON THIS DOCUMENT IS THE PROPERTY OF BHARAT HEAVY ELECTRICALS LIMITED. IT MUST NOT BE USED DIRECTLY OR INDIRECTLY IN ANY WAY DETRIMENTAL TO THE INTEREST OF THE COMPANY.

ITEM NO	01	DESCRIPTION	Ø52x258L	DRAWING NO	5508	MATL SPEC	IS 5517	UNIT WT	1	QTY	-
EQUIP:		CNC PIPE BENDING / PINES 150 / LOC.No. 3872 4178		NAME		SIGNATURE		DATE			
DEPT:		Bharat Heavy Electricals Ltd		DRN		G. GOVINDARAJU		05.03.14			
GRADE OF UNITS DIM		HIGH PRESSURE BOILER PLANT		CHD		R. RAMAMOORTHY		15.09.14			
SCALE		1:1		APRD		G. THIRUGARAJAN		17.09.14			
WEIGHT (Kg)		2.75		REF TO ASSY DWG NO				REF TO OLD DWG NO			
TITLE		WORM SHAFT Ø52x258L (CARRIAGE UNIT GEAR BOX)		DRAWING NO :		3M12A2515245		REV		00	

A3-SIZE



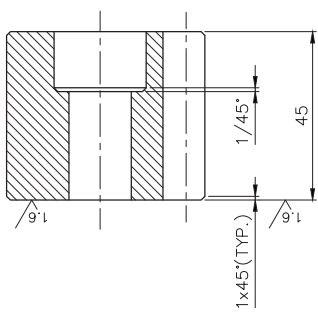
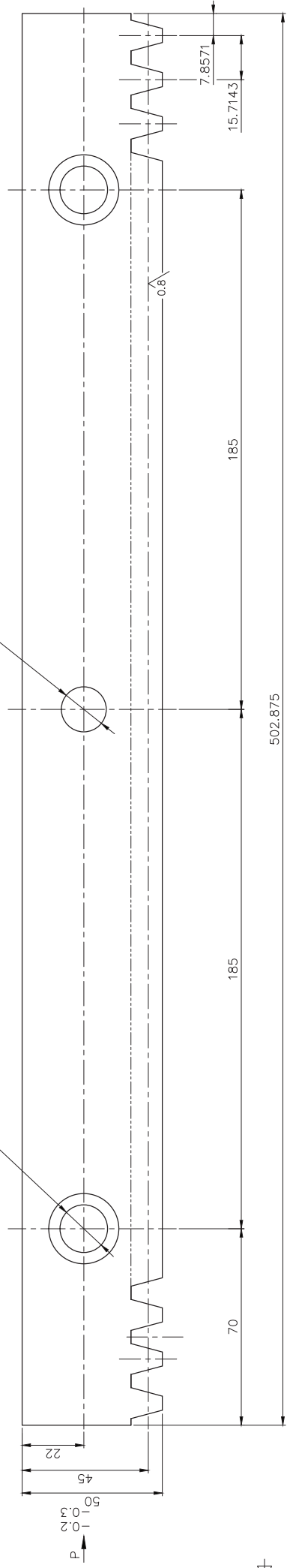
DRAWING NO: 2-M-04B17-05197

ALL DIMENSIONS ARE IN MILLIMETERS

$3.2 \sqrt{1.6/0.8}$

2 HOLES  $\phi 17$  CBR 25-16 DEEP AT ASSY.

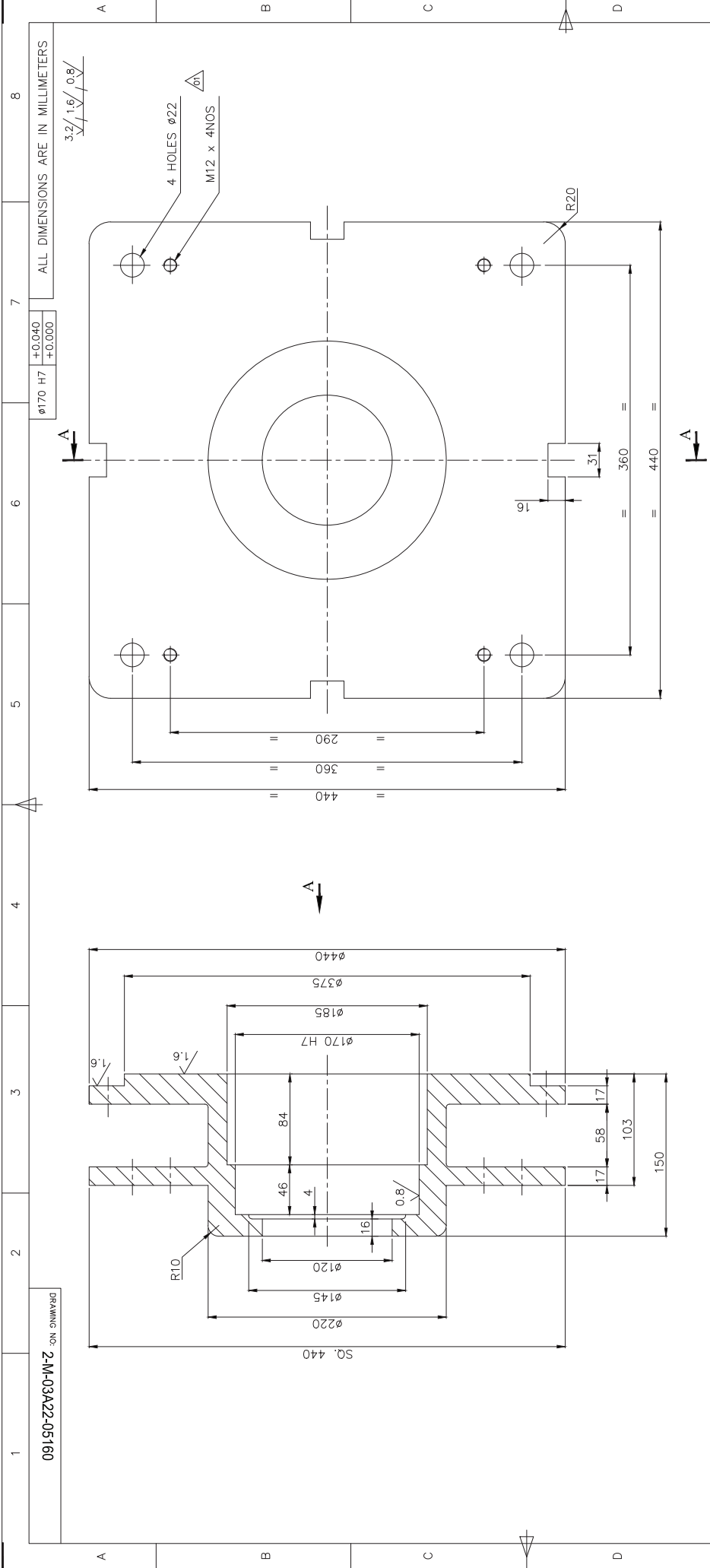
FOR  $\phi 16$  TAPER PIN REAMED DURING ASSY.



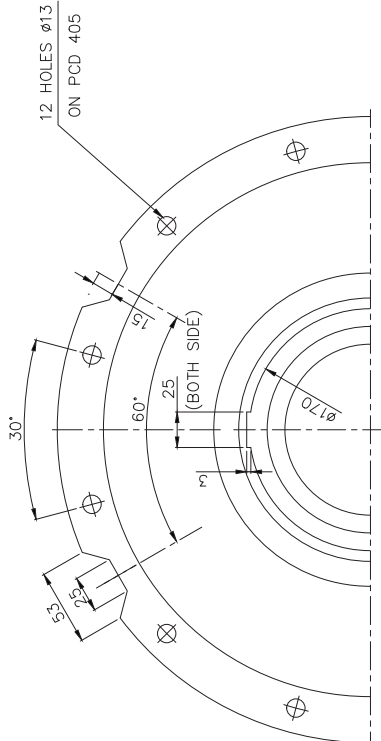
NO. OF TEETH	~(RACK)
MODULE	5
PRESSURE ANGLE	20°
AXIAL PITCH	15.71
MATING GEAR NO. OF TEETH	12
HELIX ANGLE	10°
HAND OF HELIX	LH
MATING GEAR DRAWING NO.	3-M-04B17-15300

NOTE: - SHARP CORNERS TO BE REMOVED  
 $\pm 2$   
 HARDENED TO HRc:35

ITEM NO	50x45x503 L	DESCRIPTION	55C8	MATL. CODE	IS:2004	UNIT	8.90	
DRW NO		DRW NO						
EQUIP: RADIAL DRILLING (PORTABLE) DRT 10								
DEPT	MKS	GRADE OF UNTO. DM	SCALE	WEIGHT (Kg)	REF TO ASSY DWS NO	REF TO OLD DWS NO	ITEM	
2597	2597	$\phi/M/f$ IS:2102	1:1	8.90				
TITLE								
RACK HELICAL 503 L								
(BED LONG TRAVEL GEAR BOX ASSY.)								
REV	DATE	ALTERED	CHECKED	APPROVED	SIGNATURE			DATE
					S.SELVAMURUGAN	S.SELVAMURUGAN	07.07.14	
					R.RAMAMOORTHY	R.RAMAMOORTHY	06.07.14	
					G.THIVAGARAJAN	G.Thivagarajan	25.07.14	
PROPERTY OF BHARAT HEAVY ELECTRICALS LIMITED MAY BE LOANED TO THE INTEREST OF THE COMPANY MUST NOT BE USED DIRECTLY OR INDIRECTLY IN ANY MANNER								
EQUIP: RADIAL DRILLING (PORTABLE) DRT 10				BHARAT HEAVY ELECTRICALS LTD HIGH PRESSURE BOILER PLANT TIRUCHIRAPALLI - 620014				
DEPT: MKS				NAME: S.SELVAMURUGAN				
GRADE OF UNTO. DM: $\phi/M/f$ IS:2102				SIGNATURE: S.SELVAMURUGAN				
SCALE: 1:1				DATE: 07.07.14				
WEIGHT (Kg): 8.90				APPD: G.THIVAGARAJAN				
REF TO ASSY DWS NO: -				REF TO OLD DWS NO: -				
REF TO OLD DWS NO: -				ITEM: 25.07.14				
TITLE: RACK HELICAL 503 L				DRAWING NO: 2-M-04B17-05197				
(BED LONG TRAVEL GEAR BOX ASSY.)				REV: 00				



NOTE:  
1. ALL SHARP CORNERS TO BE REMOVED



VIEW-A

ALL DIMENSIONS ARE IN MILLIMETERS

$\pm 0.040$   
 $\pm 0.000$

$\sqrt{3.2}$  /  $\sqrt{1.6}$  /  $\sqrt{0.8}$

4 HOLES  $\phi 22$

M12 x 4NOS

R20

31

15

360

01

SQ.440 x 150L

DESCRIPTION

DRAWING NO

IS 28

50.00

1

FG 220

MATL CODE

UNIT WT

01

HORIZONTAL BANDSAW / IT 1000 DCA-ITL

NAME

DATE

10/06/14

DRK

C.PONNUSAMY

DR

G.GOWINDARAJ

11/06/14

01

APPR

S.P.INEERSAL

12/06/14

WEIGHT (kg)

50.00

SCALE

1:2.5

REF TO ASSY DWG NO

REF TO OLD DWG NO

01

2897

GRADE OF UNCL. DIM

$\phi$  /  $\phi$  /  $\phi$

IS:2102

DEPT

2897

SCALE

1:2.5

REF TO ASSY DWG NO

01

2897

GRADE OF UNCL. DIM

$\phi$  /  $\phi$  /  $\phi$

IS:2102

DEPT

2897

SCALE

1:2.5

REF TO ASSY DWG NO

01

2897

GRADE OF UNCL. DIM

$\phi$  /  $\phi$  /  $\phi$

IS:2102

DEPT

2897

SCALE

1:2.5

REF TO ASSY DWG NO

01

2897

GRADE OF UNCL. DIM

$\phi$  /  $\phi$  /  $\phi$

IS:2102

DEPT

2897

SCALE

1:2.5

REF TO ASSY DWG NO

01

2897

GRADE OF UNCL. DIM

$\phi$  /  $\phi$  /  $\phi$

IS:2102

DEPT

2897

SCALE

1:2.5

REF TO ASSY DWG NO

01

2897

GRADE OF UNCL. DIM

$\phi$  /  $\phi$  /  $\phi$

IS:2102

DEPT

2897

SCALE

1:2.5

REF TO ASSY DWG NO

01

2897

GRADE OF UNCL. DIM

$\phi$  /  $\phi$  /  $\phi$

IS:2102

DEPT

2897

SCALE

1:2.5

REF TO ASSY DWG NO

01

2897

GRADE OF UNCL. DIM

$\phi$  /  $\phi$  /  $\phi$

IS:2102

DEPT

2897

SCALE

1:2.5

REF TO ASSY DWG NO

01

2897

GRADE OF UNCL. DIM

$\phi$  /  $\phi$  /  $\phi$

IS:2102

DEPT

2897

SCALE

1:2.5

REF TO ASSY DWG NO

01

2897

GRADE OF UNCL. DIM

$\phi$  /  $\phi$  /  $\phi$

IS:2102

DEPT

2897

SCALE

1:2.5

REF TO ASSY DWG NO

01

2897

GRADE OF UNCL. DIM

$\phi$  /  $\phi$  /  $\phi$

IS:2102

DEPT

2897

SCALE

1:2.5

REF TO ASSY DWG NO

01

2897

GRADE OF UNCL. DIM

$\phi$  /  $\phi$  /  $\phi$

IS:2102

DEPT

2897

SCALE

1:2.5

REF TO ASSY DWG NO

01

2897

GRADE OF UNCL. DIM

$\phi$  /  $\phi$  /  $\phi$

IS:2102

DEPT

2897

SCALE

1:2.5

REF TO ASSY DWG NO

01

2897

GRADE OF UNCL. DIM

$\phi$  /  $\phi$  /  $\phi$

IS:2102

DEPT

2897

SCALE

1:2.5

REF TO ASSY DWG NO

01

2897

GRADE OF UNCL. DIM

$\phi$  /  $\phi$  /  $\phi$

IS:2102

DEPT

2897

SCALE

1:2.5

REF TO ASSY DWG NO

01

2897

GRADE OF UNCL. DIM

$\phi$  /  $\phi$  /  $\phi$

IS:2102

DEPT

2897

SCALE

1:2.5

REF TO ASSY DWG NO

01

2897

GRADE OF UNCL. DIM

$\phi$  /  $\phi$  /  $\phi$

IS:2102

DEPT

2897

SCALE

1:2.5

REF TO ASSY DWG NO

01

2897

GRADE OF UNCL. DIM

$\phi$  /  $\phi$  /  $\phi$

IS:2102

DEPT

2897

SCALE

1:2.5

REF TO ASSY DWG NO

01

2897

GRADE OF UNCL. DIM

$\phi$  /  $\phi$  /  $\phi$

IS:2102

DEPT

2897

SCALE

1:2.5

REF TO ASSY DWG NO

01

2897

GRADE OF UNCL. DIM

$\phi$  /  $\phi$  /  $\phi$

IS:2102

DEPT

2897

SCALE

1:2.5

REF TO ASSY DWG NO

01

2897

GRADE OF UNCL. DIM

$\phi$  /  $\phi$  /  $\phi$

IS:2102

DEPT

2897

SCALE

1:2.5

REF TO ASSY DWG NO

01

2897

GRADE OF UNCL. DIM

$\phi$  /  $\phi$  /  $\phi$

IS:2102

DEPT

2897

SCALE

1:2.5

REF TO ASSY DWG NO

01

2897

GRADE OF UNCL. DIM

$\phi$  /  $\phi$  /  $\phi$

IS:2102

DEPT

2897

SCALE

1:2.5

REF TO ASSY DWG NO

01

2897

GRADE OF UNCL. DIM

$\phi$  /  $\phi$  /  $\phi$

IS:2102

DEPT

2897

SCALE

1:2.5

REF TO ASSY DWG NO

01

2897

GRADE OF UNCL. DIM