



429-002/A

**BHARAT HEAVY ELECTRICALS LIMITED**

( A Government of India Undertaking )  
HIGH PRESSURE BOILER PLANT  
PURCHASE DEPARTMENT - FOSSIL BOILERS  
THIRUCHIRAPALLI - 620014  
TAMILNADU (INDIA)

Page  
1/3

PHONE :2577629  
GRAMS : BHARATELEC  
FAX NO: 2520719  
E-mail: srchandran@bheltry.co.in  
Web:

	<b>Enquiry No</b> 2661400812 - 55	<b>Enquiry Date</b> 06.11.2014	<b>Due Date for Quotation</b> 01.12.2014
Please quote Enquiry No, Date and due date in all correspondences. This is only a request for quotation and not an order			

Item	Description	Unit	Quantity	Delivery Quantity	Schedule Date
10	7504B0300800 INNER DISC AS PER DRG.NO: 4-M-04B03-04844-01 VENDOR QUALIFYING CRITERIA: Only those vendors who satisfy the following conditions will get qualified to participate in the tender: 1.Vendor should have minimum 2 years experience in this field. 2.Previous PO details for supplying similar kind of machining items should be submitted along with offer.Otherwise offer will be rejected. 3.Bhel reserves the right to visit the vendor's works for verifying the manufacturing facilities and any other credential furnished by the vendor in case the information furnished with the offers found to be false /incorrect, the offer shall be rejected.	NO	230.000	230.00	16.02.15
20	7504B0301000 OUTER DISC AS PER DRG.NO. 4-M-04B03-04852-01	NO	230.000	230.00	16.02.15
30	7504B0600300 OUTER CLUTCH PLATE AS PER DRG.NO.4-M-04B06-23783-02 OF SL.NO.1, t = 1 MM, M/C = DR 10	NO	200.000	200.00	16.02.15
40	7504B1702400 OUTER CLUTCH PLATE AS PER DRG.NO.4-M-04B17-23783-01 OF SL.NO.02, t = 1.4 MM, M/C = DRT 10	NO	200.000	200.00	16.02.15
50	7501B0400700 INNER DISC AS PER DRG.: 4-M-01B04-1157.	NO	200.000	200.00	16.02.15
60	7501B0400800 CLUTCH PLATE INNER AS PER DRG.: 4-M-01B04-12747	NO	200.000	200.00	16.02.15

The offers should reach us 30 minutes before the time of opening of tenders.  
The offers will be opened at 14.30 hrs on the due date of tender in the presence of tenderers who have submitted their offer and who may like to be present for the tender opening.Late and delayed offers are liable to be rejected.

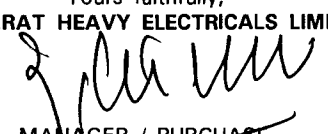
**VIGILANCE AWARENESS WEEK**  
**27 th OCT to 1st NOV 2014**

**FOR VIGILANCE RELATED COMPLAINTS,**

**CONTACT DGM/VIGILANCE**

**PHONE:0431-2577552,2577636**

Yours faithfully,  
For **BHARAT HEAVY ELECTRICALS LIMITED**

  
MANAGER / PURCHASE  
(FOSSIL BOILERS)  
Yours faithfully,



# BHARAT HEAVY ELECTRICALS LIMITED

( A Government of India Undertaking )  
HIGH PRESSURE BOILER PLANT  
PURCHASE DEPARTMENT - FOSSIL BOILERS  
THIRUCHIRAPALLI - 620014  
TAMILNADU (INDIA)

Page  
2/3

PHONE :2577629  
GRAMS : BHARATELEC  
FAX NO: 2520719  
E-mail: srchandran@bheltry.co.in  
Web:

2661400812 / 06.11.2014

70	7501B0501900 CLUTCH PLATE OUTER AS PER DRG.NO. 4-M-01B04-12748	NO	200.000	200.00	16.02.15
80	7504B0306800 INNER DISC AS PER DRG NO. 4-M-04B03-4840-01	NO	80.000	80.00	16.02.15
90	7504B0307100 OUTER DISC AS PER DRG. No. 4M-04B-03/05-04843	NO	230.000	230.00	16.02.15
100	7504B1702300 INNER DISC AS PER DRG NO: 4-M-04B17-28033	NO	200.000	200.00	16.02.15
110	7501B0400600 CLUTCH HOUSING AS PER DRG. No.: 3-M-01B04-5556.	NO	10.000	10.00	16.02.15
120	7504B1000200 INNER CLUTCH PLATE AS PER DRG.NO. 4M-04B-10/12/14-6145	NO	340.000	340.00	16.02.15
130	7504B1000100 OUTER CLUTCH PLATE AS PER DRG.NO. 4M-04B-10/12-6144	NO	340.000	340.00	16.02.15
140	7501B2200200 CLUTCH PLATE (INNER) AS PER DRG.NO. 4-M-01B22-28899	NO	30.000	30.00	16.02.15
150	7501B2200100 CLUTCH PLATE (OUTER) AS PER DRG 4-M-01B22-28900	NO	30.000	30.00	16.02.15
160	7508A1001200 CLUTCH PLATE - INNER AS PER DRG NO. 4-M-08A-10-26918	NO	30.000	30.00	16.02.15
170	7508A1001100 CLUTCH PLATE - OUTER AS PER DRG NO. 4-M-08A-10-26917	NO	30.000	30.00	16.02.15
180	7508A0902300 INNER PLATE AS PER DRG NO. 4-M-08A09-23129	NO	30.000	30.00	16.02.15
190	7508A0902400 OUTER PLATE AS PER DRG NO. 4-M-08A09-23128	NO	30.000	30.00	16.02.15

The offers should reach us 30 minutes before the time of opening of tenders.  
The offers will be opened at 14.30 hrs on the due date of tender in the presence of  
tenderers who have submitted their offer and who may like to be present for the tender  
opening.Late and delayed offers are liable to be rejected.

**VIGILANCE AWARENESS WEEK**


**27 th OCT to 1st NOV 2014**

**FOR VIGILANCE RELATED COMPLAINTS,**

**CONTACT DGM/VIGILANCE**

**PHONE:0431-2577552,2577636**

Yours faithfully,  
For **BHARAT HEAVY ELECTRICALS LIMITED**

  
MANAGER / PURCHASE  
(FOSSIL BOILERS)

Yours faithfully,



# BHARAT HEAVY ELECTRICALS LIMITED

( A Government of India Undertaking )  
HIGH PRESSURE BOILER PLANT  
PURCHASE DEPARTMENT - FOSSIL BOILERS  
THIRUCHIRAPALLI - 620014  
TAMILNADU (INDIA)

Page  
3/3

PHONE :2577629  
GRAMS : BHARATELEC  
FAX NO: 2520719  
E-mail: srchandran@bheltry.co.in  
Web:

2661400812 / 06.11.2014

200	7508B1200400 CLUTCH PLATE (INNER) AS PER DRG. NO. 4-M-08B12-25643	NO	20.000	20.00	16.02.15
210	7508B1200500 CLUTCH PLATE (OUTER) AS PER DRG NO. 4-M-08B12-25642	NO	20.000	20.00	16.02.15
220	7509A0401200 CLUTCH PLATE (OUTER) AS PER DRG. NO. 4-M-09A04-29641	NO	15.000	15.00	16.02.15
230	7509A0401300 CLUTCH PLATE (INNER) AS PER DRG. NO. 4-M-09A04-29642	NO	15.000	15.00	16.02.15
240	7508B2400900 CLUTCH PLATE (INNER) AS PER DRG.NO. 3-M-08B24-15340 (SUPERCEDED BY DRG.NO. 4M-08B11/24-23883)	NO	24.000	24.00	16.02.15
250	7508B2400800 CLUTCH PLATE (OUTER) AS PER DRG.NO. 3-M-08B24-15341 (SUPERCEDED BY DRG.NO. 4M-08B-11/24-23884)	NO	24.000	24.00	16.02.15

**General Note:**

GENERAL NOTE:PLEASE SUBMIT YOUR OFFER IN "TWO PART BID SYSTEM" AS PER THE ANNEXURES ENCLOSED.  
ENCLOSURES:ANNEXURE II,III,IV,V,VI,VII.

**Enclosures:**

"LD clause has to be confirmed without fail."

The offers should reach us 30 minutes before the time of opening of tenders.  
The offers will be opened at 14.30 hrs on the due date of tender in the presence of tenderers who have submitted their offer and who may like to be present for the tender opening.Late and delayed offers are liable to be rejected.

**VIGILANCE AWARENESS WEEK**

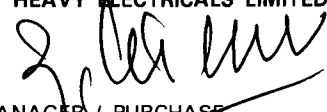
**27 th OCT to 1st NOV 2014**

**FOR VIGILANCE RELATED COMPLAINTS,**

**CONTACT DGM/VIGILANCE**

**PHONE:0431-2577552,2577636**

Yours faithfully,  
For **BHARAT HEAVY ELECTRICALS LIMITED**

  
MANAGER / PURCHASE  
(FOSSIL BOILERS)

Yours faithfully,

**CAPITAL PURCHASE**  
**COMMERCIAL TERMS AND CONDITIONS**

**1.0 QUOTATIONS**

The Bidders shall submit the offer in **TWO INNER ENVELOPES** as indicated below which shall be sealed in one outer envelope.

**Envelope I** This sealed envelope should contain all the copies of technical bid together with un-priced commercial bid & annexure III. This envelope should be clearly marked **'Part I - Technical and commercial bid'**,

Indicating Enquiry No., Due Date and Address & Reference of the Bidder.

**Envelope II** This sealed envelope should contain **price as per Annexure-IV format**. This envelope should be clearly marked **'Part II - Price bid'**, indicating **Enquiry No., Due Date and Address & Reference of the Bidder**.

Both the envelopes (Part I & II) shall be put in one cover (**Envelope III**), duly sealed, superscribing as Part I and Part II of Enquiry No., due date of opening and the address and reference of the Bidder

The above offer should reach this office on or before the due date by 14.00 hours (IST). Late offers will not be considered.

Tender should not be addressed to any individual's name but only by designation to

**SENIOR MANAGER /PURCHASE/ CP & SP/ MM / MFG  
BHARAT HEAVY ELECTRICALS LIMITED  
HIGH PRESSURE BOILER PLANT  
TIRUCHIRAPALLI - 620 014  
TAMIL NADU**

Tenders should be free from **CORRECTION AND ERASURES**, Corrections if any, must be attested. All Amounts shall be indicated both in words as well as in figures. Where there is difference between amount quoted in words and figures, amount quoted in words shall prevail.

Offers should be in **ENGLISH** and accompanied by detailed technical literature, catalogue and detailed dimensional drawings in **ENGLISH** or otherwise, the offers will not be considered.

**2.0 OPENING OF TENDERS**

The Part I - Technical & commercial bid alone would be opened on the Tender opening date.

The Part II - Price bid of technically suitable Bidders alone would be opened. The Technically Suitable Bidders would be informed about the tender opening date through e-mail.

Clarifications if any required by BHEL for Technical evaluation **would be** sought from Bidders before opening of Part II - price bid

**For any queries clarifications the bidders may contact us through our FAX NO. +91 431 2520719 or through e-mail <mmcpmfg1@bheltry.co.in >&< chells@bheltry.co.in>**

**MM: CP & SP**  
**Annexure For Techno Commercial Bid**

Check List - to be filled and submitted along with Technical Bid

BHEL Commercial Terms and Conditions for Indigenous Supplies	Vendor's Confirmation / Comments
Technical confirmation to BHEL's Specification as called for in BHEL Format shall be furnished. If needed additional sheets shall be used.	
Prices shall be <b>quoted item wise</b> only as per the model format enclosed	
Prices shall be quoted on " <b>FIRM PRICE</b> " basis only The prices should be only on <b>F.O.R / Despatching station</b> basis with <b>Packing &amp; Forwarding</b> charges if any. <b>Applicable % of ED &amp; Sales Tax, Freight &amp; Insurance, Installation &amp; Commissioning Charges</b> should be clearly indicated	
<b>Validity of offer</b> shall be for a minimum period of 120 days from the date of Tender opening	
Delivery period from the date of Letter of Intent / Purchase order shall be clearly mentioned in the offer	
<b>Liquidated damages @ '0.5%</b> per week subject to a maximum of 10% of the order value shall be applicable for delay in deliveries <b>For Details Refer Annexure- v</b>	
<b>Following Risk Purchase clause</b> shall be applicable The purchaser at his option will be entitled to terminate the contract and to purchase elsewhere at the risk and cost of the seller either the whole of the goods or any part which the supplier has failed to deliver or dispatch within the time stipulated or if the same were not available, the best and the nearest available substitute therefore The supplier shall be liable for any loss which the Purchaser may sustain by reason of such risk purchases	
<b>Payment term for supply portion:</b> Payment term is 100% direct payment after 45 days from the date of receipt and acceptance of materials <b>For details Refer Annexure- v</b>	
Erection / commissioning: (if applicable only) Erection / commissioning charges if any has been mentioned in the offer or else confirmation that Erection /commissioning shall be done at free of cost is available in the offer,	
The equipment shall be guaranteed for a period of 12 months from the date of commissioning	
Final inspection and acceptance of equipment will be after installation at BHEL, Trichy	
The vendor shall provide necessary drawings, Test Certificates and Operating Maintenance Manuals etc., as called for in the Technical Specification, in the required number of copies at no extra cost	
Any warranty replacement during warranty period shall be supplied free of charge on FOR BHEL, Trichy basis.	
Offers should be submitted only in <b>sealed cover super-scribing clearly the Enquiry reference and due date.</b>	
% of Excise Duty with cess	
% of TAX (CST/VAT) (INGST with FORM-17 or CST with C-FORM)	
Packing & Forwarding Charges ( if any in % only)	
Percentage of Freight& transit insurance charges, if any Freight charges from Dispatching station to BHEL, Tiruchirappalli • Supplier should quote for F.O.R-BHEL Trichy Stores.	
As per Commercial terms and conditions, acceptance for participation in Reverse auction (RA).Yes/No to be indicated	
Name of the person for participating reverse auction	
Land Line Number	
Fax Number	
Mobile Number	
E-mail ID	

## NOTE:-

- a) It is confirmed that all the terms and conditions stipulated in the Enquiry have been fully understood by us and all clarifications & details have been obtained.
- b) Your offer should be indicating applicable if any P&F Charges, % of ED, Sales Tax -CST or VAT, Service Tax), Freight, Insurance and Installation and Commissioning Charges etc., as per our Price Format
- c) Your specific acceptance to our Payment terms, LD & Risk Purchase Clause are essential for consideration of your offer. Other wise your offer is liable for rejection.
- d) No row shall be left blank. Please indicate NA, in case the item is "not applicable"



<b>Payment Term (Indigenous)</b>	
<b>If materials are receivable at Stores/Trichy <u>without</u> PBG</b>	Payment term is 100% direct payment after 45 days from the date of receipt and acceptance of materials.
<b>If materials are receivable at Stores/Trichy <u>with</u> PBG</b>	Payment term is 100% direct payment after 45 days from the date of receipt and acceptance of materials and against 10% PBG valid for the warranty period.
Any deviation in the above payment term will attract loading as mentioned below. “Base rate of SBI (as applicable on the date of bid opening. Techno-commercial bid opening in case of two part bids) + 6% shall be considered for loading for the period of relaxation sought by bidders.	

Payment through Bank is not preferred. In case of Payment through Bank is opted by Supplier, BHEL prefers documents submission through bank with copy of LR and door delivery of Goods to Site/Stores with Consignee copy attached. In this case Loading will be 3% on the offered value.
Offers of indigenous Suppliers with payment terms as LC/Advance Payment are liable for rejection.

<b>Liquidated Damages / Penalty -</b>
Liquidated damages shall be 0.5% of the total order value per week or part thereof subject to a maximum of 10% of the total order value.
For staggered delivery schedule, LD shall be 0.5% of the undelivered portion per week of the delay or part thereof subject to a maximum of 10% of the total order value.
Any deviation from the above LD clause, loading will be applied to the extent to which it is not agreed by the bidder (at offered value).

<b>Guarantee / Warranty Period – (if applicable)</b>
Normally No deviation permitted and the deviated offers are liable for rejection.

<b>Ranking-</b>
BHEL will consider the ranking after the loading is applied as referred above wherever deviations are observed.

<b>Performance Bank Guarantee – (if applicable)</b>
Normally No deviation permitted and the deviated offers are liable for rejection.

**NOTE:-**

1. If the due date of tender opening happens to be a holiday, the tenders will be opened on the next working day.
2. BHEL reserves the right to go for a reverse auction (RA) instead of opening the submitted sealed bid which will be decided after technical evaluation. Information and general terms and conditions covering RA are given in commercial terms and conditions.
3. Corrigendum if any, with respect to this tender will be hosted only in the website <http://www.bhel.com> or <http://tenders.gov.in>. You are requested to visit the website regularly for updates.

**Special Provisions for Micro and Small Enterprises (MSE)**

1. 20% of the tendered quantity is earmarked for MSE suppliers in this tender.
2. Out of the 20% tendered quantity reserved for MSE suppliers, 4% shall be earmarked for procurement from MSE owned by SC/ST entrepreneurs.
3. In case MSE vendor participating in the tender quotes within the price band of L1+15%, they will be allowed to supply the portion of the requirement subject to acceptance of L1 price by MSE vendor. In case of more than one such MSE, the supply shall be shared proportionately.
4. "MSE suppliers can avail the intended benefits only if they submit along with the offer, attested copies of either EM II certificate having deemed validity (five years from the date of issue of acknowledgement in EM II) or valid NSIC certificate or EM II certificate along with attested copy of a CA certificate (Format enclosed at Annexure -VII where deemed validity of EM II certificate of five Years has expired) applicable for the relevant financial year (latest audited). Date to be reckoned for determining the deemed validity will be the date of bid opening (Part 1 in case of two part bid). Non submission of such documents will lead to consideration of their bid at par with other bidders. No benefit shall be applicable for this enquiry if any deficiency in the above required documents are not submitted before price bid opening. If the tender is to be submitted through e-procurement portal, then the above required documents are to be uploaded on the portal. Documents should be notarized or attested by a Gazetted officer."

**Certificate by Chartered Accountant on letter head**

This is to Certify that M/S .....  
(hereinafter referred to as 'company') having its registered office at  
..... is registered under MSMED Act 2006, (Entrepreneur  
Memorandum No (Part-II) ..... dtd:.....,  
Category: ..... (Micro/Small)). (Copy enclosed).

Further verified from the Books of Accounts that the investment of the company as on  
date..... as per MSMED Act 2006 is as follows:

1. **For Manufacturing Enterprises:** Investment in plant and machinery (i.e. original cost  
excluding land and building and the items specified by the Ministry of Small Scale Industries vide its  
notification No.S.O.1722(E) dated October 5, 2006 :  
Rs.....Lacs
2. **For Service Enterprises:** Investment in equipment (original cost excluding land and building and  
furniture, fittings and other items not directly related to the service rendered or as may be notified under the MSMED  
Act, 2006:  
Rs.....Lacs

The above investment of Rs.....Lacs is within permissible limit of  
Rs.....Lacs for .....Micro / Small (~~Strike off which is not applicable~~)  
Category under MSMED Act 2006.

Date:

(Signature)

Name -

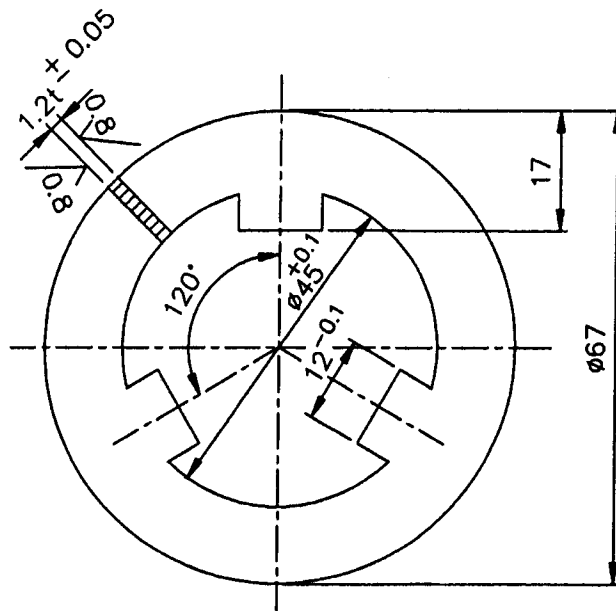
Membership number -

Seal of Chartered Accountant

**CAUTION:** THIS DRAWING IS OUR SOLE PROPERTY AND SHOULD NOT BE USED IN ANY FORM FOR ANY PURPOSE WITHOUT THE WRITTEN PERMISSION OF BHARAT HEAVY ELECTRICALS LIMITED TRICHIRAPPALLI - 620 014.

ALL DIMENSIONS ARE IN MM

3.2 / 0.8 /



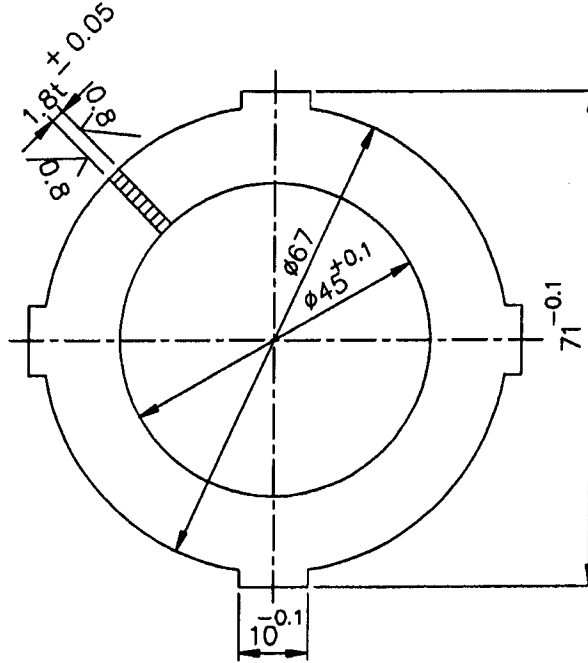
**NOTE: -**  
 ± 2  
 HARDENED TO HRC.35  
 SHARP CORNERS TO BE REMOVED

	1.2txø67	55 C8	IS: 5517				
No. of Pieces	DESCRIPTION	MATERIAL	STANDARD	NET.WT.IN KGS.	DRAWING No.		ITEM No.
	REFERENCE:	ALTERATIONS:		DCN REF	DATE	SIGN.	INDEX
SCALE	DRAWN/TCD	P.A.ROSS					
1:1	CHECKED						
	APPROVED						
	DATE	16-10-67/25-05-10					
	MACHINE: DRILLING MACHINE		TYPE: VR 8				
	TITLE: INNER DISC		DRAWING No:				
	ID.45xOD.67x1.2t		4M04B0304844		01		
			Sheet No:		No. of Sheets:		

CAUTION: THIS DRAWING IS OUR SOLE PROPERTY AND SHOULD NOT BE USED IN ANY FORM FOR ANY PURPOSE WITHOUT THE WRITTEN PERMISSION OF BHARAT HEAVY ELECTRICALS LIMITED TRICHIRAPPALLI - 620 014.

ALL DIMENSIONS ARE IN MM

3.2/0.8/  
✓/✓



NOTE: -

HARDENED TO HRC.35 ± 2

SHARP CORNERS TO BE REMOVED

1.8txø71		55 C8	IS: 5517			
No. of Pieces	DESCRIPTION	MATERIAL	STANDARD	NET.WT.IN KGS.	DRAWING No.	ITEM No.
	REFERENCE:		ALTERATIONS:	DCN REF	DATE	SIGN. INDEX
SCALE	DRAWN/TCD	P. A. ROSS				
1:1	CHECKED					
	APPROVED					
	DATE	16-10-67/25-05-10				
MACHINE: DRILLING MACHINE			TYPE: VR 8			
TITLE: <b>OUTER DISC</b> ID.45xOD.71x1.8t			DRAWING No:			
			4M04B030485201			
			Sheet No:		No. of Sheets:	

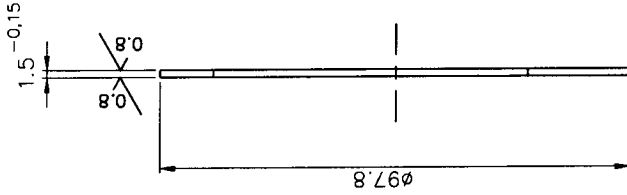
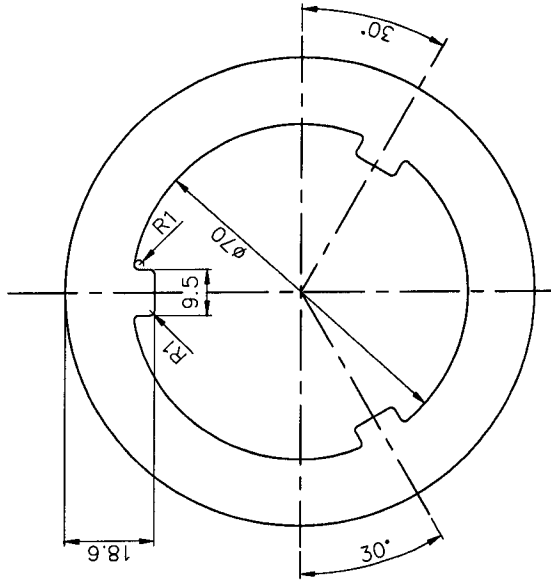


ALL DIMENSIONS ARE IN MILLIMETRES

DRAWING NO:

3-M-08B24-15340

3.2/b.8/  
V/V4



SUPERCEDED BY DRG. NO.: 4M08B1123883

NOTE:  
HARDENED TO HRC 35±2

CAUTION: THE INFORMATION ON THIS DOCUMENT IS THE PROPERTY OF BHARAT HEAVY ELECTRICALS LIMITED. IT MUST NOT BE USED DIRECTLY OR INDIRECTLY IN ANY WAY DETRIMENTAL TO THE INTEREST OF THE COMPANY.

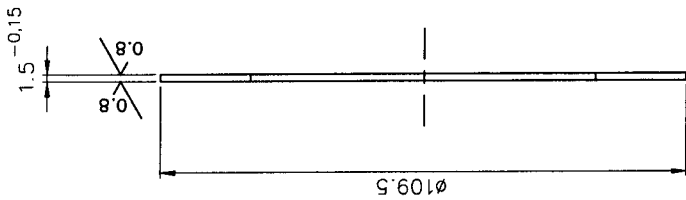
01	φ98xID60x1.5t IS 1762	DESCRIPTION	DRAWING NO	IS 5517	UNIT WT
ITEM NO				55 C8	MATL CODE
					MATL SPEC
EQPT: CENTRE LATHE / ENTERPRISE-2620					QTY
Bharat Heavy Electricals Ltd		DRN	G.GOVINDARAJ	NAME	DATE
HIGH PRESSURE BOILER PLANT		CHK	R.RAMAMOORTHY	G.GOVINDARAJ	18.10.14
TIRUCHIRAPALLI - 620014		APPD	G.THAGARAJAN	R.RAMAMOORTHY	18.10.14
				G.THAGARAJAN	18.10.14
DPT	GRADE OF UNITOL DM	SCALE	WEIGHT (Kg)	REF TO ASSY DWG NO	ITEM
MMS	φ/M/f	1:1	-	REF TO OLD DWG NO	
2597	IS 2102				
TITLE		DRAWING NO :		REV	
CLUTCH PLATE Ø97.8xØ60.5x1.5		3-M-08B24-15340		00	
(INNER)					

REV	DATE	ALTERED	APPROVED
ZONE			

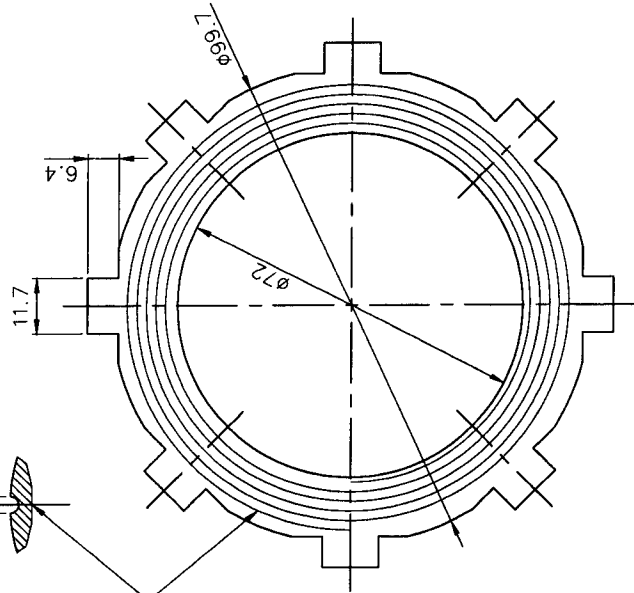
A3-SIZE

ALL DIMENSIONS ARE IN MILLIMETRES

3.2/0.8/√t



Ø0.7/PITCH 2



SPIRAL GROOVE  
ON BOTH SIDE

SUPERCEDED BY DRG. NO.: 4M08B1123884

DRAWING NO.: 3-M-08B24-15341

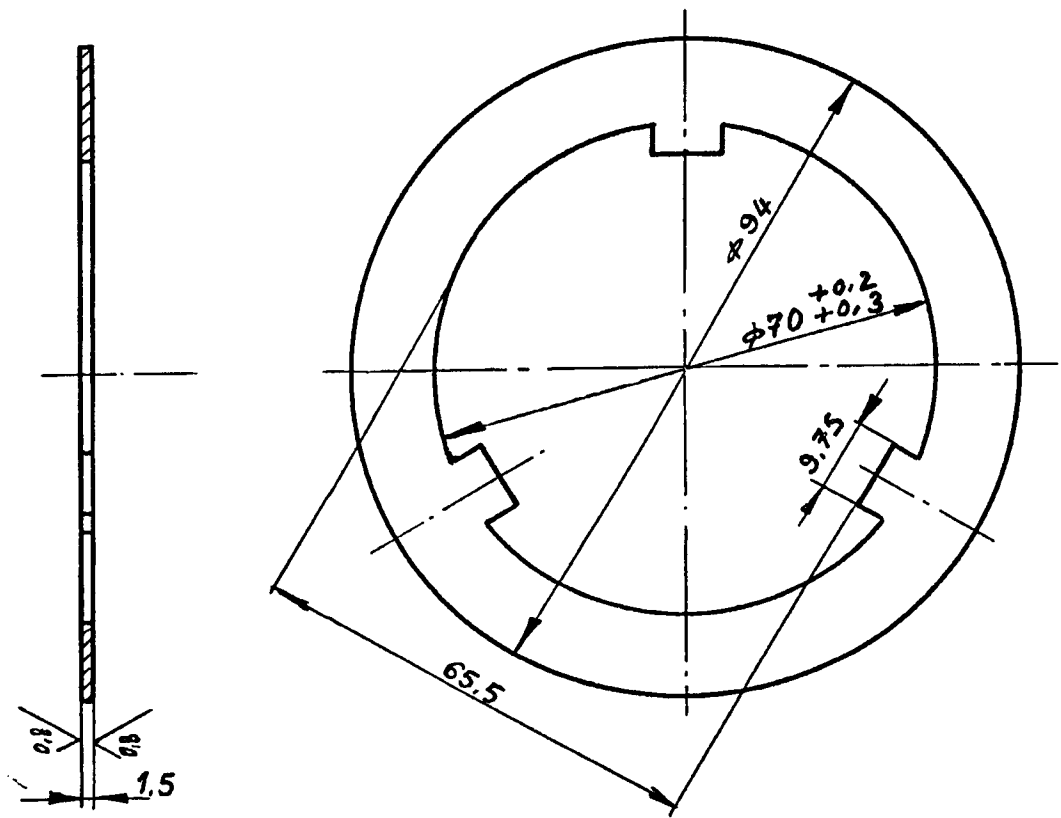
NOTE:  
HARDENED TO HRC 48±2

CAUTION: THE INFORMATION ON THIS DOCUMENT IS THE PROPERTY OF BHARAT HEAVY ELECTRICALS LIMITED. IT MUST NOT BE USED DIRECTLY OR INDIRECTLY IN ANY WAY DETRIMENTAL TO THE INTEREST OF THE COMPANY.

01	IS 1762	DESCRIPTION	DRAWING NO	IS 5517	UNIT WT
ITEM NO				55 C8	
EQPT:		CENTRE LATHE / ENTERPRISE-2620	MATL SPEC		QTY
DEPT: MAS		Bharat Heavy Electricals Ltd	NAME	G. GOVINDARAJ	DATE
CODE: 2567		HIGH PRESSURE BOILER PLANT	DRM	R. RAMAMOORTHY	18.10.14
GRADE OF UNITOL: DIN		TIRUCHIRAPALLI - 620014	CRD	G. THIAGARAJAN	18.10.14
SCALE		1:1	APPR		18.10.14
WEIGHT (Kg)		-	REF TO ASSY DWG NO		
GRADE OF UNITOL: DIN		φ/M/f	REF TO OLD DWG NO		
IS:2102					
TITLE		CLUTCH PLATE Ø109.5xØ72x1.5	DRAWING NO :	3-M-08B24-15341	REV
(OUTER)					00


A3-SIZE

63 ✓ / 0,8 ✓



HARDEN TO HRC 55 ± 2

(2)

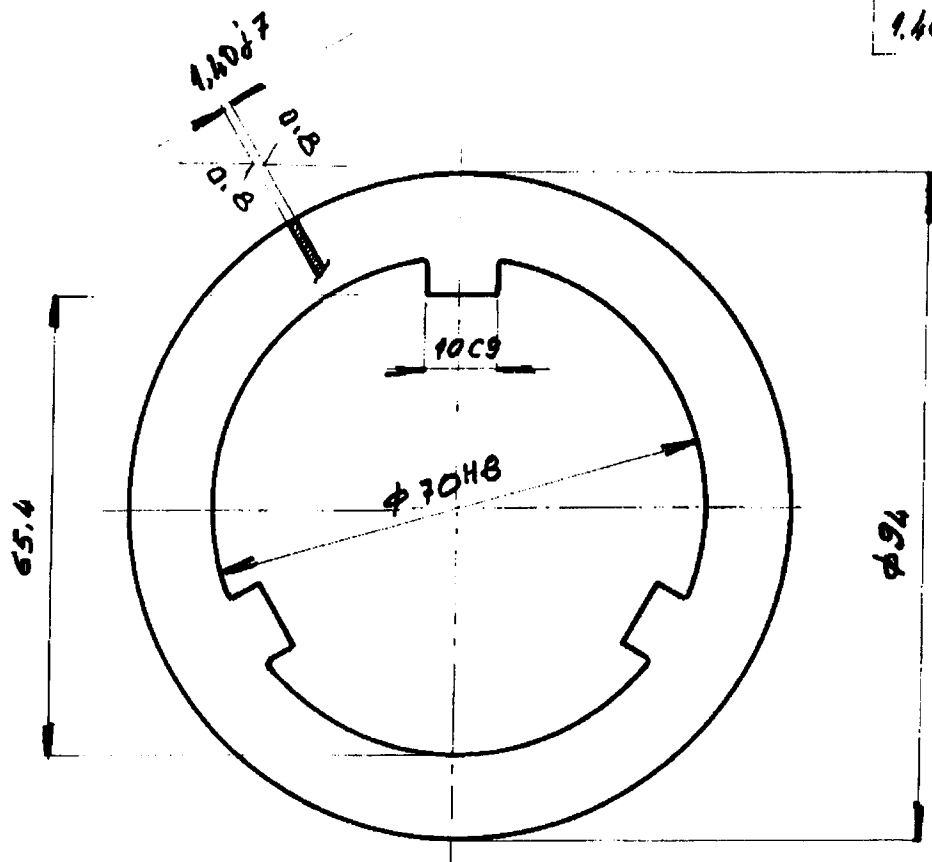
			BM-5P1	B5CG IS: 2507		0,02	I.M. 01B. 1065	24
NO OF PIECES	NAME - DIMENSIONS	SEMI PRODUCT	FINAL MATERIAL	INITIAL MATERIAL	SCRAP SOFT	NET WT	DRAWING NO	REV
REMARKS				TOTAL NET WT (KG) CC: 00 EC: 04				
SCALE	DRAWN BY	<i>C. Sharangam</i> <i>[Signature]</i> <i>[Signature]</i> DATE 1-2-1967		ALTERATIONS	DATE	SIGN	INDEX	
1:1	CHECKED BY			WAS BM-C45		<i>[Signature]</i>	(2)	
	APPROVED BY							
	STDS. OFFICER							
	DATE	M12: HORIZANDAL BORING & MILLING M/C TYPE: H-100-A, H80 LOC. NO.: 10/5						
		<b>INNER DISC</b> 100 A0 505		BH100 0B4 <b>4-M-016-1157</b>				

**CAUTION**

THIS DRAWING IS OUR SOLE PROPERTY AND SHOULD NOT BE USED IN ANY FORM FOR ANY OTHER PURPOSE WITHOUT THE WRITTEN PERMISSION OF  
**BHARAT HEAVY ELECTRICALS LTD.**  
 TIRUCHIRAPALLI-14

1.6 ✓ 0.8 ✓

φ 70H8	+0.046
	+0.000
10C9	-0.115
	-0.080
1.40d7	+0.006
	-0.004



HARDEN TO HRC = 50 ±2

NO. OF PIECES		DESCRIPTION		SEMI-PRODUCT		FINAL MATERIAL		INITIAL MATERIAL		SCRAP SORT		NET WT (kg)		GROSS WT (kg)		DRAWING NO.		ITEM NO.	
						EN 42 J BS 970		B5CG IS 2507		0.03				1-M-01B-12747		5/1			
REMARKS										TOTAL NET WT (kg) CC 19 SEC 04									
SCALE		DRAWN		CHECKED		APPROVED		STDS. OFFICER		DATE		ALTERATIONS		DATE		SIGNATURE		INDEX	
1:1		Handian		S. Rajan						17.10.1974									
MACHINE				TYPE				INV. NO.				DRAWING NO.							
HORIZONTAL BORING				H 100								04							
TITLE										NO. OF SHEETS									
CLUTCH PLATE INNER 4-M-01B-12747										SHEET NO.									



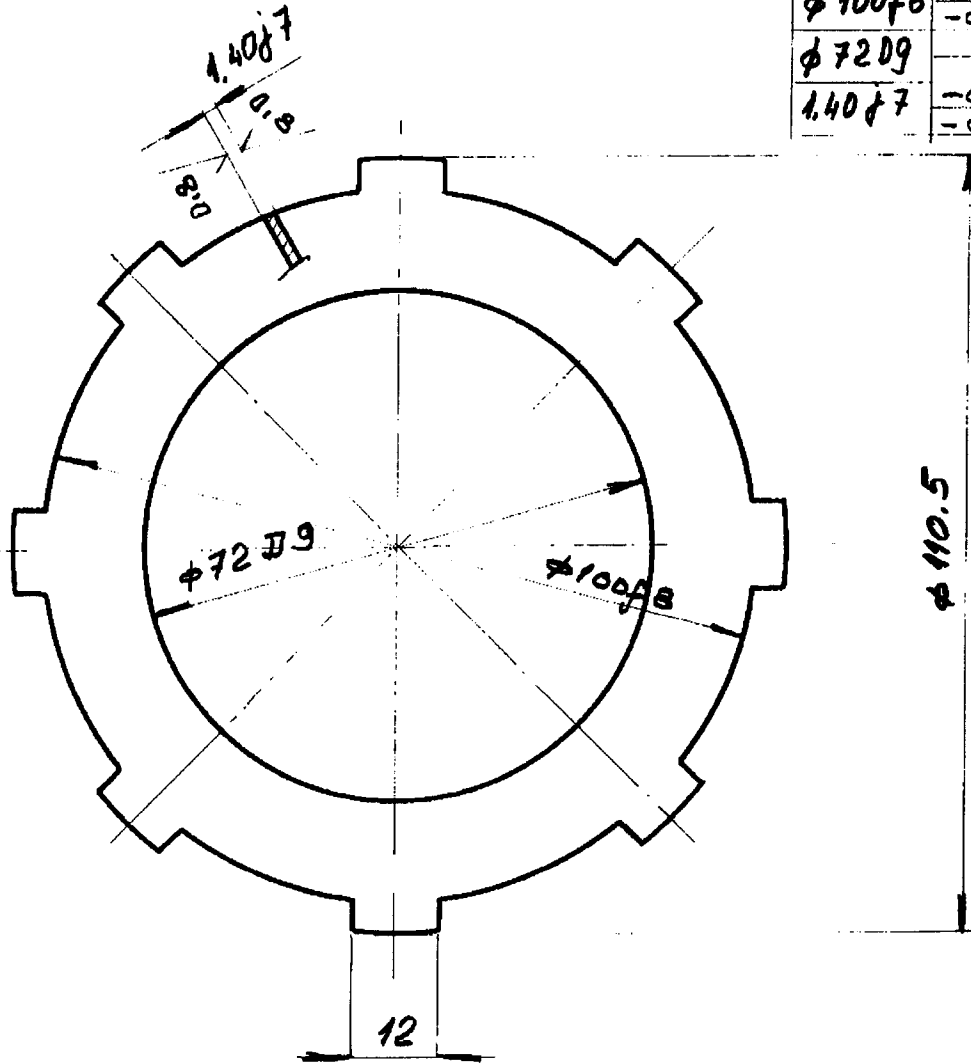
INDEX No. 39 - 607

**CAUTION**

THIS DRAWING IS OUR SOLE PROPERTY AND SHOULD NOT BE USED IN ANY FORM FOR ANY OTHER PURPOSE WITHOUT THE WRITTEN PERMISSION OF  
**BHARAT HEAVY ELECTRICALS LTD.,**  
 TIRUCHIRAPALLI 14

1.6 / 0.8

φ 100f8	-0.080
	-0.035
φ 72D9	
1.40f7	-0.006
	-0.004



HARDEN TO HRC = 50<sup>±2</sup>

NO. OF PIECES		DESCRIPTION		SEMI-PRODUCT	FINAL MATERIAL	INITIAL MATERIAL	SCRAP SURT	NET Wt (kg)	GROSS Wt (kg)	DRAWING NO.	ITEM NO.
										14M-05-N17	52
REMARKS		TOTAL NET Wt (kg)		CC 19		EC 05					
SCALE	DRAWN	REFERENCE	ALTERATIONS	DATE	SIGNATURE	INDEX					
	CHECKED										
11	APPROVED										
	STDS. OFFICER										
	DATE	17.10.1974									
MACHINE		HORIZONTAL BORING		TYPE:		H100, B100 INV. NO.					
TITLE:		CLUTCH PLATE OUTER		DRAWING NO.		4-M-018-12748 <sup>04</sup>					
NO. OF SHEETS				SHEET NO.							

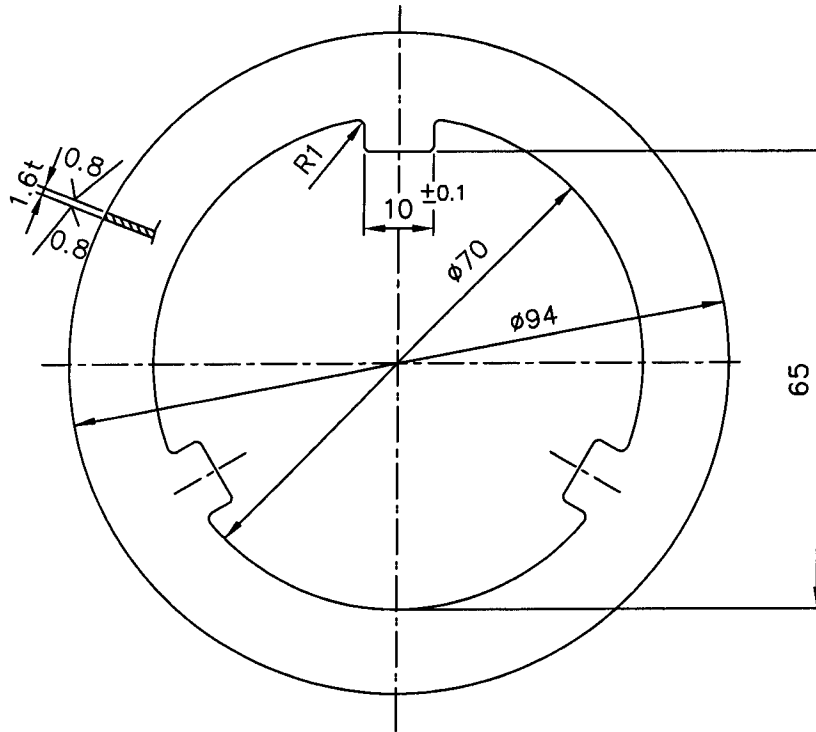


INDEX No. 39 - 607

CAUTION: THIS DRAWING IS OUR SOLE PROPERTY AND SHOULD NOT BE USED IN ANY FORM FOR ANY PURPOSE WITHOUT THE WRITTEN PERMISSION OF BHARAT HEAVY ELECTRICALS LIMITED TRICHIRAPPALLI - 620 014.

ALL DIMENSIONS ARE IN MM

1.6 / 0.8



NOTE: -

AVOID SHARP CORNERS  
HARDENED TO HRc 45±<sup>2</sup>

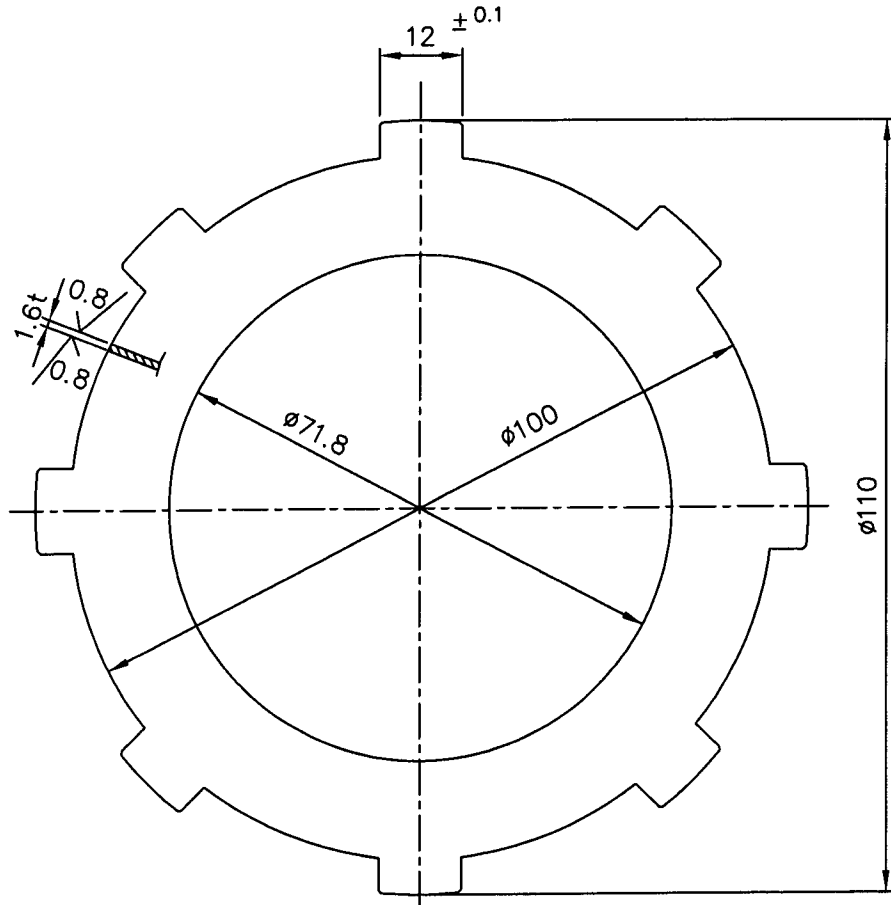
1.6txø94		En.48	IS:970	0.04		
No.of Pieces	DESCRIPTION	MATERIAL	STANDARD	NET.WT.IN KGS.	DRAWING No.	ITEM No.
	REFERENCE:		ALTERATIONS:	DCN REF	DATE	SIGN.
SCALE	DRAWN	P.ALBERT ROSS				
	CHECKED	R.RAMAMOORTHY				
1:1	APPROVED	C.S.JAYASHEELAN				
	DATE	08-04-11				
	MACHINE: HORIZONTAL BORING M/C	TYPE: TOS-W100 A				
	TITLE:	DRAWING No:				
	CLUTCH PLATE-INNER (WORK HEAD ASSY.)	4M01B2228899				
		Sheet No:	No.of Sheets:			

THIS DRAWING IS OUR SOLE PROPERTY AND SHOULD NOT BE USED IN ANY FORM FOR ANY PURPOSE WITHOUT THE WRITTEN PERMISSION OF BHARAT HEAVY ELECTRICALS LIMITED TRICHIRAPPALLI - 620 014.

CAUTION:

ALL DIMENSIONS ARE IN MM

1.6 / 0.8



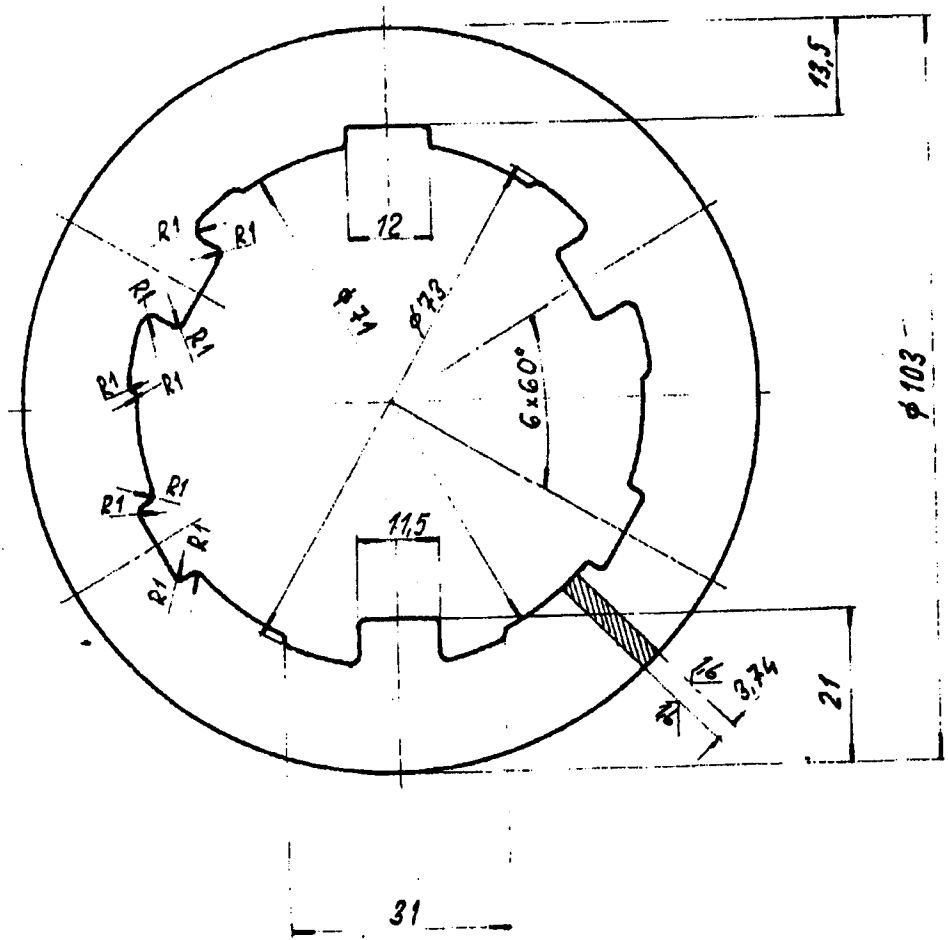
NOTE: -

AVOID SHARP CORNERS

HARDENED TO HRC 45±<sup>2</sup>

1.6txø110		En.48	IS:970	0.05		
No.of Pieces	DESCRIPTION	MATERIAL	STANDARD	NET.WT.IN KGS.	DRAWING No.	ITEM No.
	REFERENCE:	ALTERATIONS:		DCN REF	DATE	SIGN.
SCALE	DRAWN	P.ALBERT ROSS				
	CHECKED	R.RAMAMOORTHY				
1:1	APPROVED	C.S.JAYASHEELAN				
	DATE	08-04-11				
MACHINE: HORIZONTAL BORING M/C			TYPE: TOS-W100 A			
TITLE: CLUTCH PLATE-OUTER (WORK HEAD ASSY.)			DRAWING No:			
			4M01B2228900			
			Sheet No:		No.of Sheets:	

32/16



HARDENED TO HRC. 35 ± 2

55C8  
13:5517

NO. OF PIECES	DESCRIPTION	SEMI PRODUCT	FINAL MATERIAL	INITIAL MATERIAL	SCRAP SORT	NET WT	GROSS WT	DRAWING NO.	ITEM NO.
REMARKS				TOTAL NET wt (kg)					
SCALE	DRAWN	REFERENCE	ALTERATIONS		DATE	SIGNATURE	ALTERATION INDEX		
1:1	<i>M. Gyan</i>		MATL EN 48-B272		220711	CSJ	01		
	CHECKED		WAS BM-1956						
	APPROVED		MATL. CHANGED						
	STDB. OFFICER								
	DATE								
MACHINE: RADIAL DRILLING MACHINE				TYPE: VRD; 104 A		INV. NO.			
TITLE:				DRAWING NO: YR 104 A		03			
<b>INNER DISC</b>				<b>4-M. 046-4840</b>		01			
(END PLATE)									
NO. OF SHEETS				SHEET NO:					

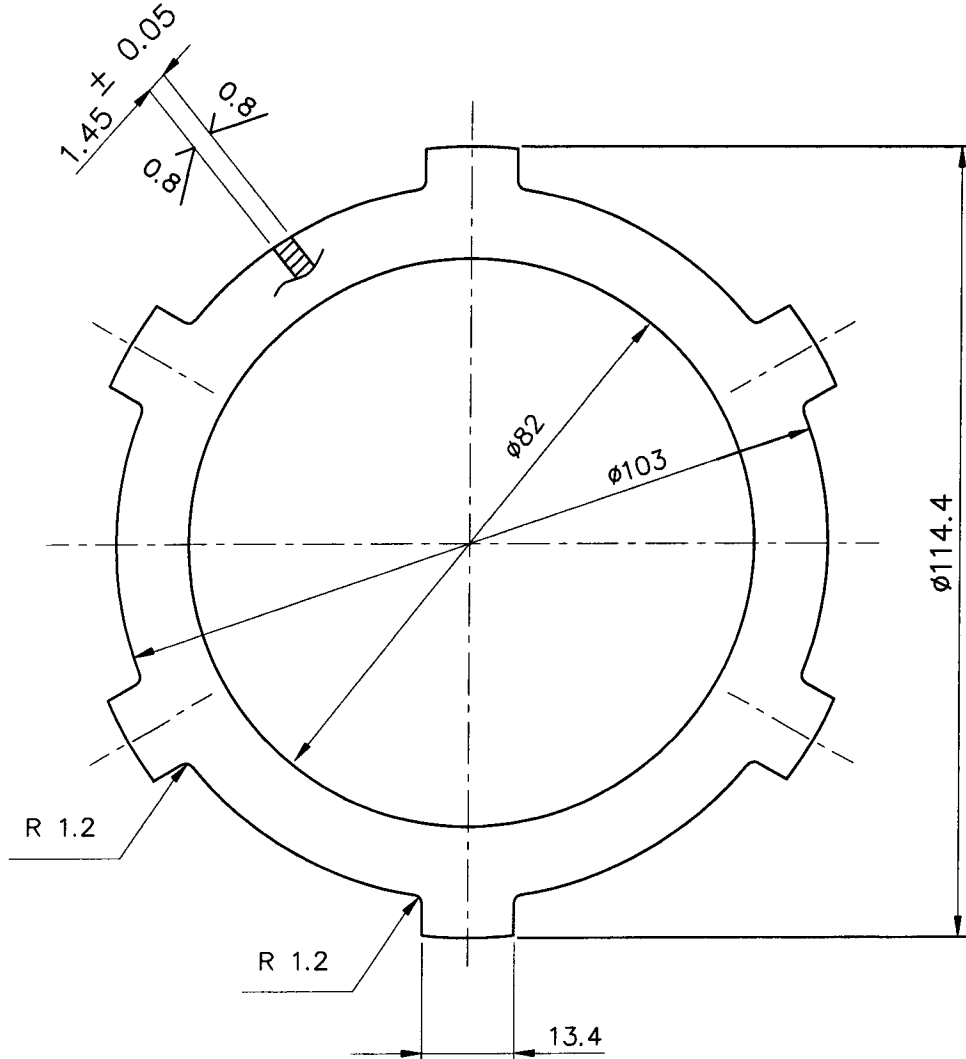


THIS DRAWING IS OUR SOLE PROPERTY AND SHOULD NOT BE USED IN ANY FORM FOR ANY PURPOSE WITHOUT THE WRITTEN PERMISSION OF BHARAT HEAVY ELECTRICALS LIMITED TRICHIRAPPALLI - 620 014.

CAUTION:

ALL DIMENSIONS ARE IN MM

3.2/0.8

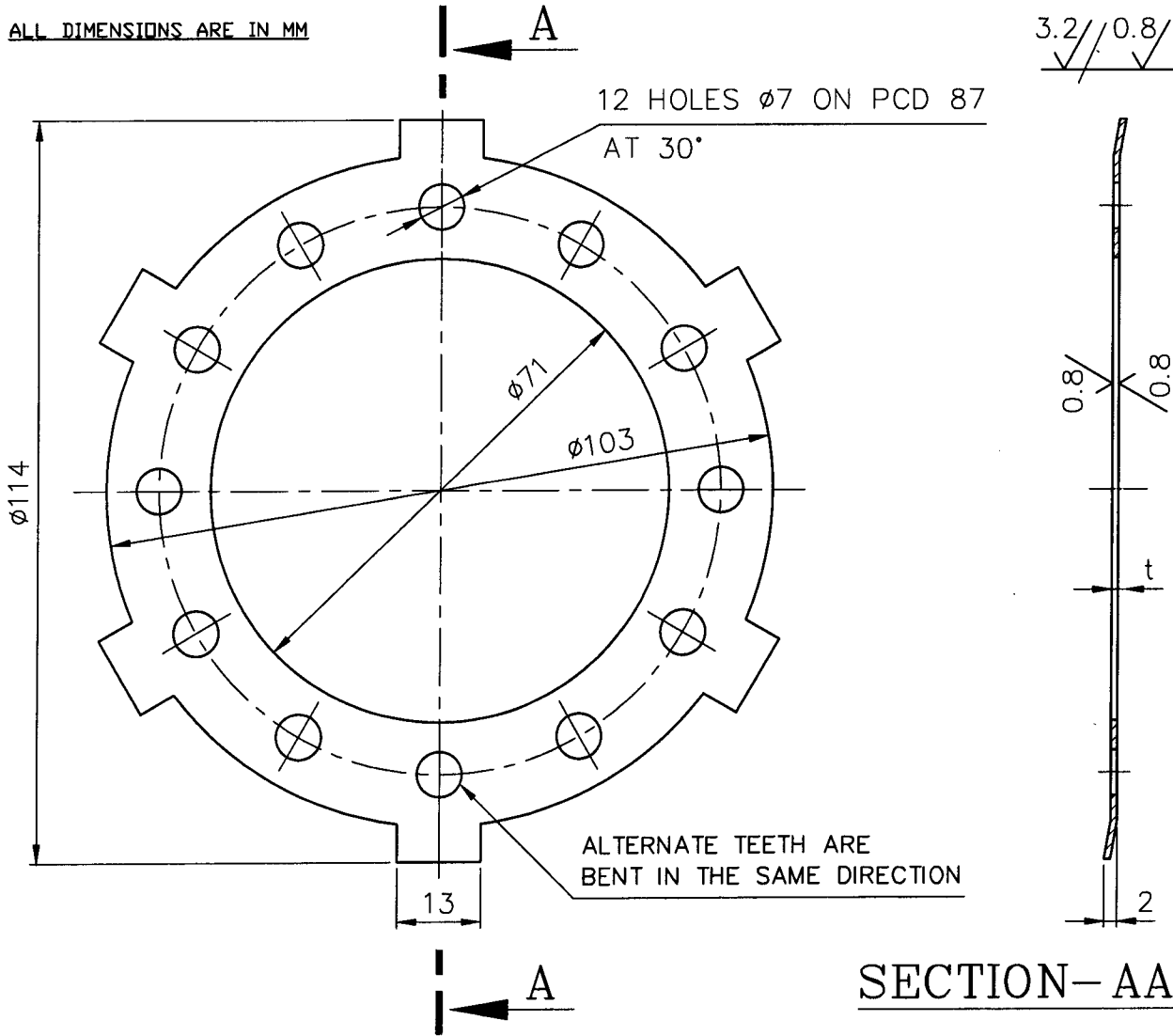


HARDENED TO HRC :  $35^{+2}_{-}$

No. of Pieces	1.45 t X $\phi 114.4$		55C8	IS: 5517	0.043			
	DESCRIPTION		MATERIAL	STANDARD	NET.WT.IN KGS.			
SCALE	REFERENCE: PART NO : 22592/6E		ALTERATIONS:		DCN REF	DATE	SIGN.	INDEX
	1:1	DRAWN/TCD	VIJAY	DRG. MODIFIED TO DATE		15.03.12	CSJ	01
	CHECKED	R.RAMAMOORTHY						
	APPROVED	C.S.JAYASHEELAN						
	DATE	18.06.67 / 23.07.11						
MACHINE: RADIAL DRILLING MACHINE			TYPE: VR 8					
	TITLE:		DRAWING No: 03					
	OUTER DISC (SPEED BOX)		ID 82	4M04B0504843				
			OD 114.4	Sheet No:		No. of Sheets:		
		t 1.45						

CAUTION: THIS DRAWING IS OUR SOLE PROPERTY AND SHOULD NOT BE USED IN ANY FORM FOR ANY PURPOSE WITHOUT THE WRITTEN PERMISSION OF BHARAT HEAVY ELECTRICALS LIMITED TRICHIRAPPALLI - 620 014.

ALL DIMENSIONS ARE IN MM



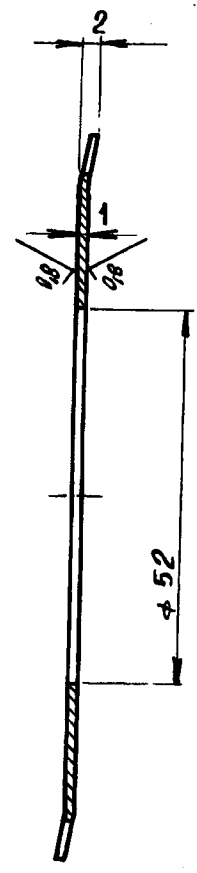
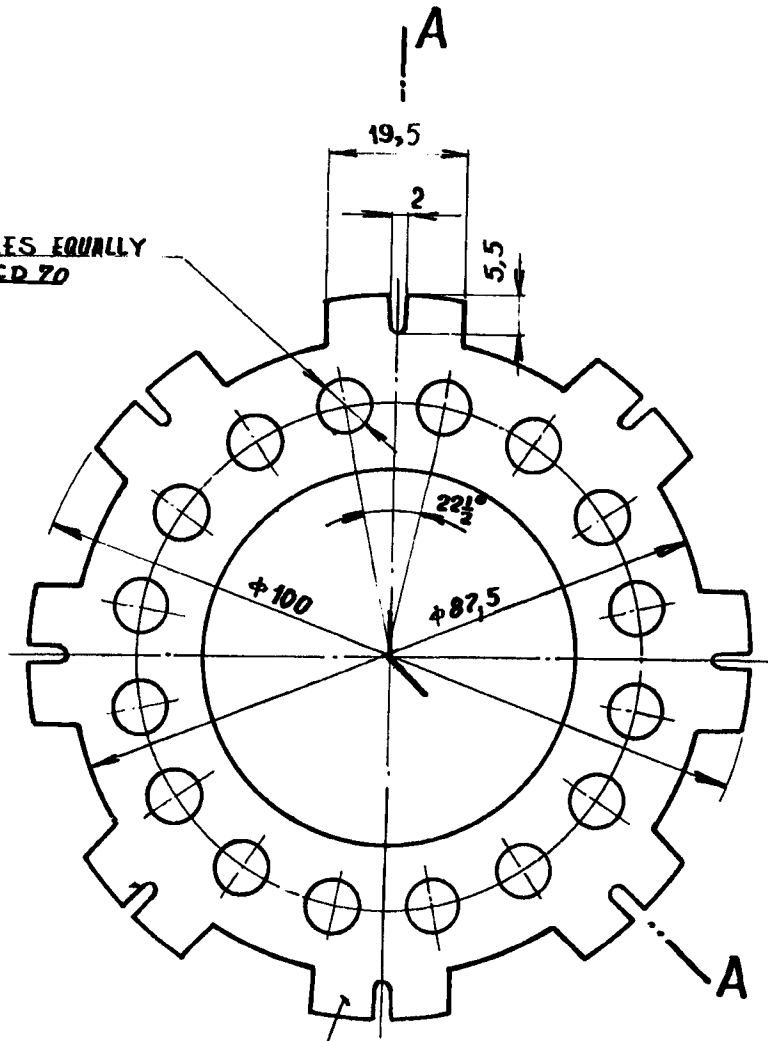
SL.NO.	t	M/C.
01	1	DR 10
02	1.4	DRT 10

NOTE: - HARDENED TO HRC 35 ±2

55C8		IS: 5517	0.029			
No. of Pieces	DESCRIPTION	MATERIAL	STANDARD	NET.WT.IN KGS.	DRAWING No.	ITEM No.
1:1	DRAWN/TC'D S.Selvamanickam	R.RAMAMOORTHY	ALTERNATIONS:	DCN REF	DATE	SIGN.
			TABULAR COLUMN ADDED		15.03.12	CSJ
	CHECKED	C.S.JAYASHEELAN	DRG. MODIFIED TO DATE		20.03.12	CSJ
	APPROVED	9.08.89/04.06.10				
	DATE					
MACHINE: RADIAL DRILLING			TYPE: DR 10&DRT 10			
TITLE: OUTER CLUTCH PLATE			DRAWING No:			REV.
ID71xOD114			4M04B062378302			
Sheet No:			No. of Sheets:			

3.2 / 0.8

± 7- 16 HOLES EQUALLY SPACED. PCD 70



SEC. A-A

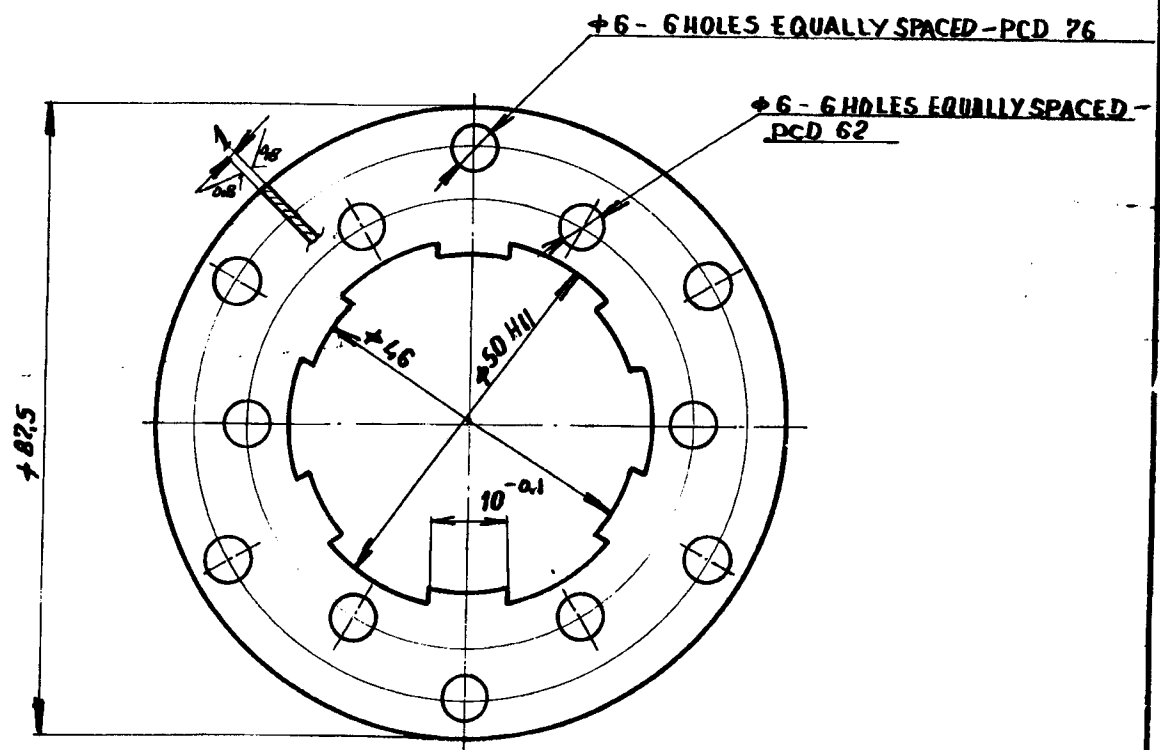
ALTERNATE TEETH ARE BENT IN THE SAME DIRECTION

CASE HARDENED TO HRC 4.4<sup>±2</sup>

NO. OF PIECES		DESCRIPTION	SEMI-PRODUCT	FINAL MATERIAL	INITIAL MATERIAL	SCRAP SORT	NET wt(kg)	GROSS wt(kg)	DRAWING-NO.	ITEM NO.
				B5:970 EN42J	B5CG IS: 2507		0.03		0-M-04B-0093	27
REMARKS					TOTAL NET wt (kg)		SC: 19		EC: 10	
SCALE	DRAWN BY	CHECKED BY		REFERENCE	ALTERATIONS	DATE	SIGNATURE	ALTERATION INDEX		
1:1	J.N. Khanna	[Signature]								
	APPROVED BY	STDS. OFFICER								
		[Signature]								
	DATE									
		28-8-70								
MACHINE		TITLE :			TYPE		INV. NO.			
RADIAL DRILLING		OUTER CLUTCH PLATE			RM 52, 62, 65		LD 212			
TIRUCHY					DRAWING NO.		4-M-04B-6144			
					NO. OF SHEETS		SHEET NO 1			

3,2 / 0,8

φ50 H11	+0.160
	+0.000

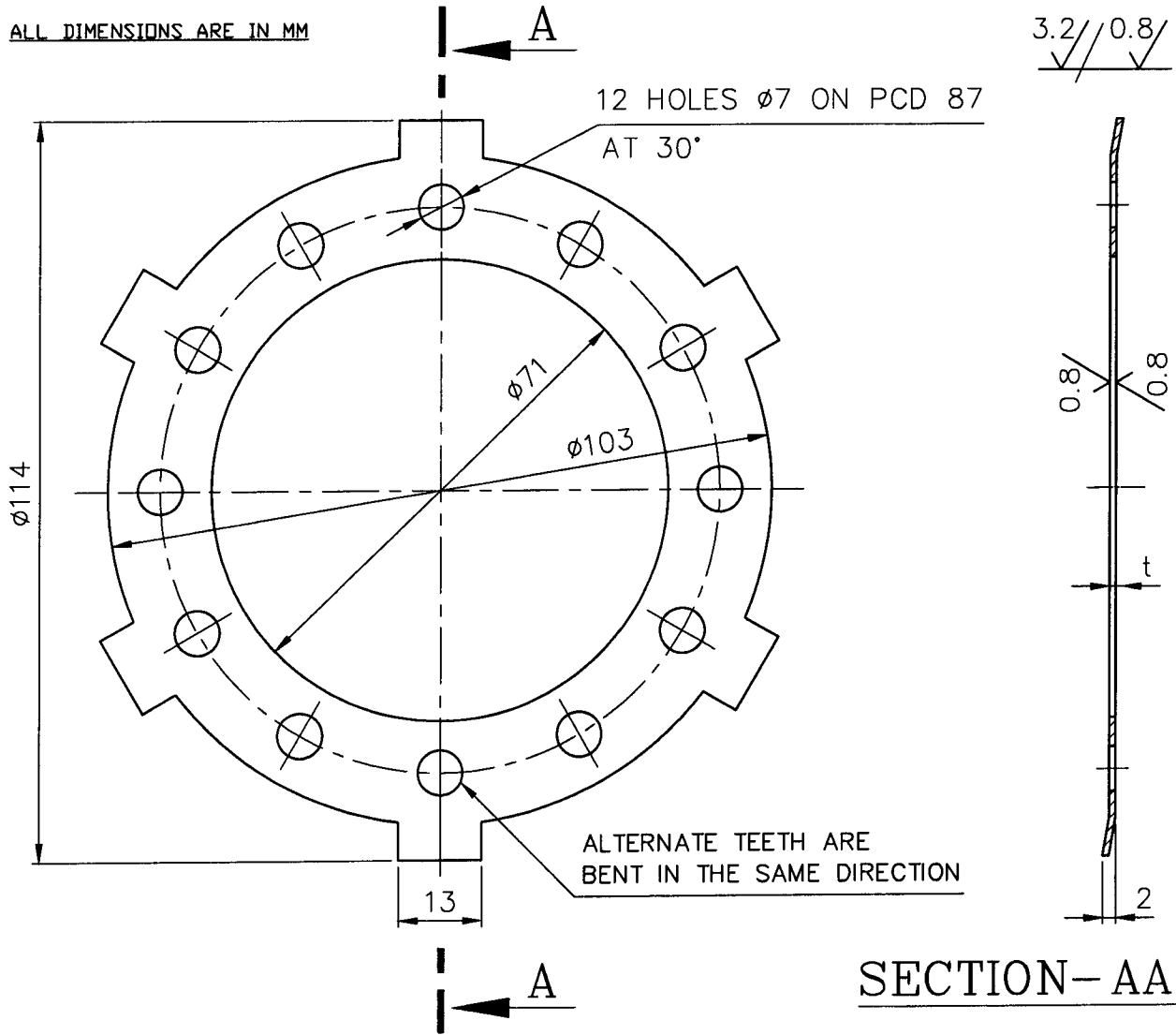


CASE HARDENED TO HRC 44 ± 2

			BS:970 EN42J	BS:66 IS:2507		0.028	0-M-04B-0893	28	
NO. OF PIECES	DESCRIPTION	SEMI-PRODUCT	FINAL MATERIAL	INITIAL MATERIAL	SCRAP SORT	NET wt(kg)	GROSS wt(kg)	DRAWING NO.	ITEM NO.
REMARKS				TOTAL NET wt (kg) 22.19 EC:10					
SCALE 1:1	DRAWN BY	T.N. Khe... <i>[Signature]</i>		REFERENCE	ALTERATIONS		DATE	SIGNATURE	ALTERATION INDEX
	CHECKED BY	<i>[Signature]</i>							
	APPROVED BY	<i>[Signature]</i>							
	STDS. OFFICER	<i>[Signature]</i>							
	DATE	28-8-70							
	MACHINE RADIAL DRILLING			TYPE: RM52, 62, 65		INV. NO.			
	TITLE: INNER CLUTCH PLATE			DRAWING NO.		10212414 4-M-04B-545			

CAUTION: THIS DRAWING IS OUR SOLE PROPERTY AND SHOULD NOT BE USED IN ANY FORM FOR ANY PURPOSE WITHOUT THE WRITTEN PERMISSION OF BHARAT HEAVY ELECTRICALS LIMITED TRICHIRAPPALLI - 620 014.

ALL DIMENSIONS ARE IN MM



SECTION-AA

SL.NO.	t	M/C.
01	1	DR 10
02	1.4	DRT 10

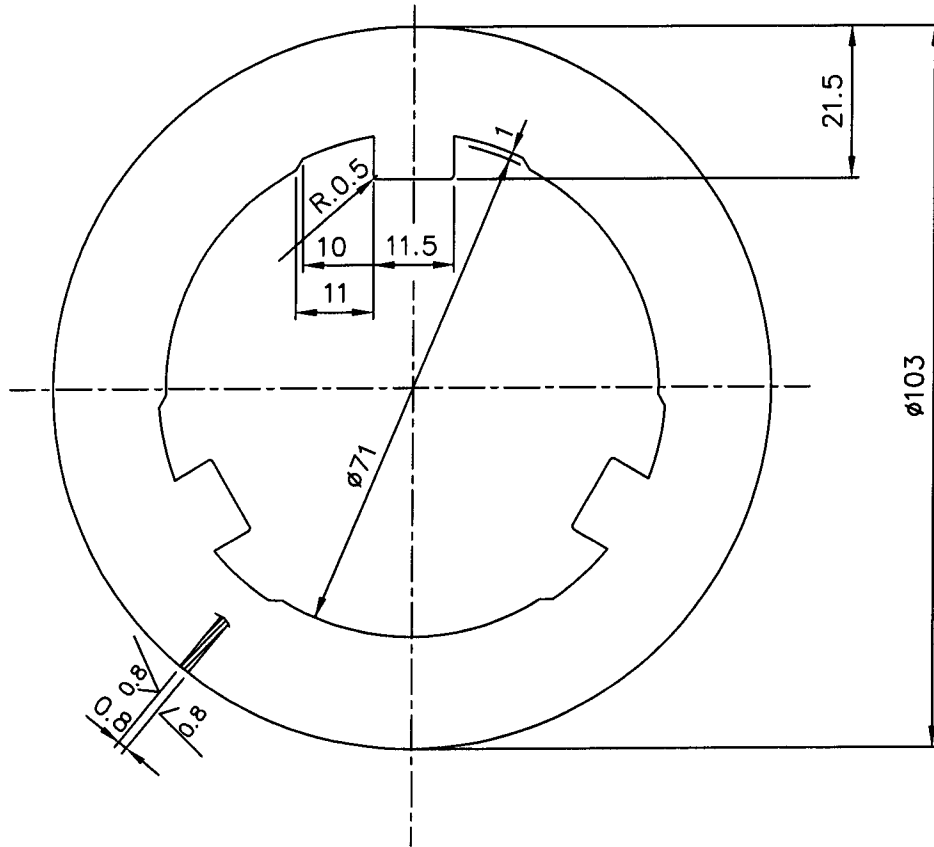
NOTE: - HARDENED TO HRC 35 ±2

5508		IS: 5517	0.029		
No. of Pieces	DESCRIPTION	MATERIAL	STANDARD	NET.WT.IN KGS.	DRAWING No.
1	REFERENCE:	ALTERATIONS:		DCN REF	DATE
		TABULAR COLUMN ADDED			15.03.12
SCALE	DRAWN/TCD	S.Selvamanickam			
1:1	CHECKED	R.RAMAMOORTHY			
	APPROVED	C.S.JAYASHEELAN			
	DATE	9.08.89/04.06.10			
MACHINE: RADIAL DRILLING			TYPE: DR 10&DRT 10		
TITLE:		DRAWING No:		REV.	
OUTER CLUTCH PLATE		4M04B172378301		01	
ID71xOD114		Sheet No:		No. of Sheets:	

CAUTION: THIS DRAWING IS OUR SOLE PROPERTY AND SHOULD NOT BE USED IN ANY FORM FOR ANY PURPOSE WITHOUT THE WRITTEN PERMISSION OF BHARAT HEAVY ELECTRICALS LIMITED TRICHIRAPPALLI - 620 014.

ALL DIMENSIONS ARE IN MM

1.6/1.6/0.8/



NOTE: - BOTH THE SURFACE ARE HARDENED TO HRC.35  $\pm 2$

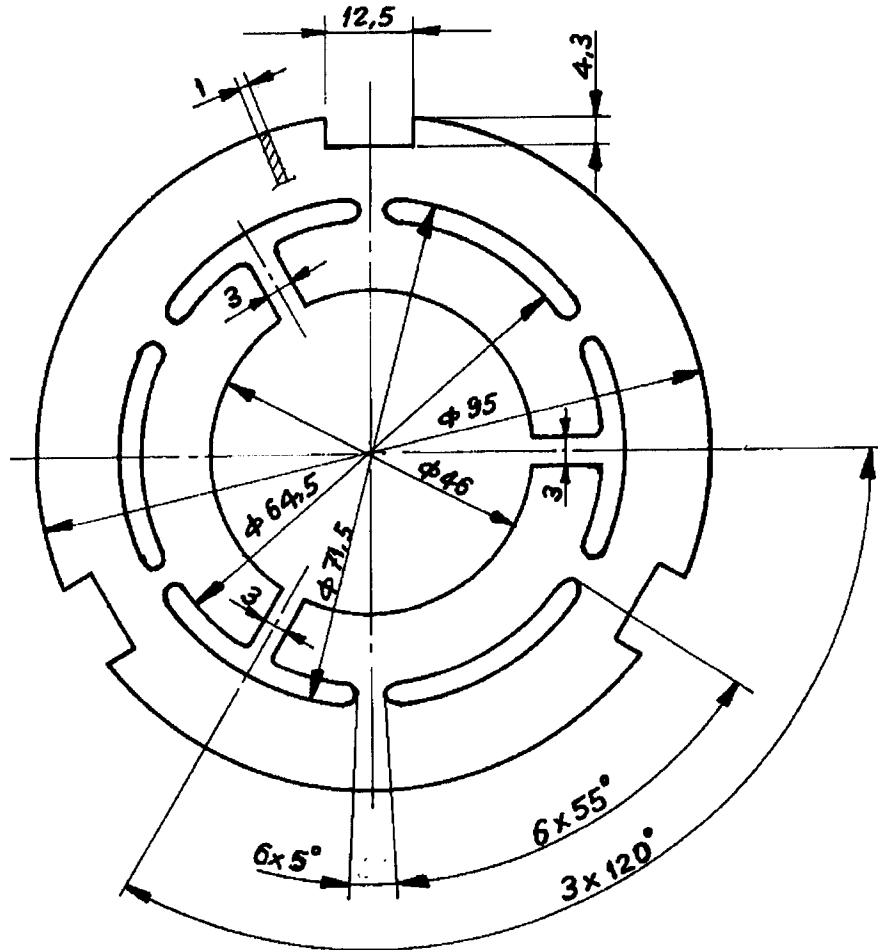
	0.8txOD.103	55C8	IS:5517	0.05		
X						
No. of Pieces	DESCRIPTION	MATERIAL	STANDARD	NET.WT.IN KGS.	DRAWING No.	ITEM No.
	REFERENCE:	ALTERATIONS:		DCN REF	DATE	SIGN.
SCALE	DRAWN	P.ALBERT ROSS				
	CHECKED	R.RAMAMOORTHY				
1:1	APPROVED	C.S.JAYASHEELAN				
	DATE	10-08-07				
	MACHINE: RADIAL DRILLING	TYPE: DRT 10(NEW)				
	TITLE:	INNER DISC (CLUTCH ASSY.)		DRAWING No:		
				4M04B1728033		
		Sheet No:		No. of Sheets:		

**CAUTION**

THIS DRAWING IS OUR SOLE PROPERTY AND SHOULD NOT BE USED IN ANY FORM FOR ANY OTHER PURPOSE WITHOUT THE WRITTEN PERMISSION OF  
**BHARAT HEAVY ELECTRICALS LTD.,**  
**TIRUCHIRAPALLI-14**

32/

INDEX NO. 39 - 607



NOTE:- HARDENED TO HRC 40±2

		C 55 Mn 75									
		13:5517									
NO. OF PIECES	DESCRIPTION	SEMI-PRODUCT	FINAL MATERIAL	INITIAL MATERIAL	SCRAP SORT	NET Wt (kg)	GROSS Wt (kg)	DRAWING NO.	ITEM NO.		
REMARKS								TOTAL NET Wt (kg)			
SCALE	DRAWN	REFERENCE		ALTERATIONS		DATE	SIGNATURE	INDEX			
1:1	CHECKED										
	APPROVED										
	STDS. OFFICER										
	DATE	10-09-87									
MACHINE		CENTRE LATHE		TYPE: SUPER CUT-B32		INV. NO.					
TITLE:		OUTER PLATE		DRAWING NO. 08A09		4-M-086-23128					
[FOR ELECTROMAGNETIC CLUTCH]				NO. OF SHEETS		SHEET NO.					

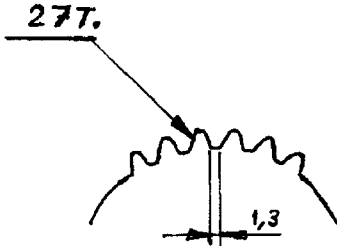
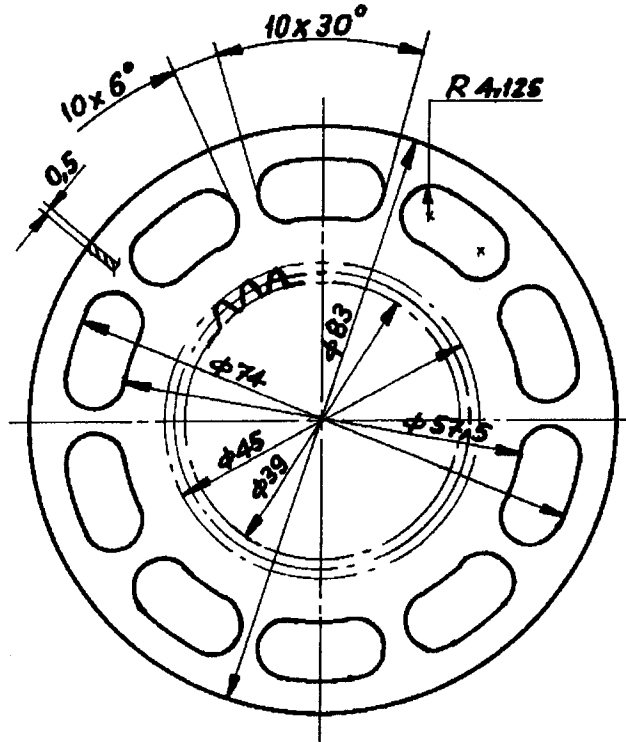


**CAUTION**

THIS DRAWING IS OUR SOLE PROPERTY AND SHOULD NOT BE USED IN ANY FORM FOR ANY OTHER PURPOSE WITHOUT THE WRITTEN PERMISSION OF  
**BHARAT HEAVY ELECTRICALS LTD.**  
 TIRUCHIRAPALLI-14

3,2

INDEX No. 39 - 607



**NOTE:- HARDENED TO HRC 48±2**

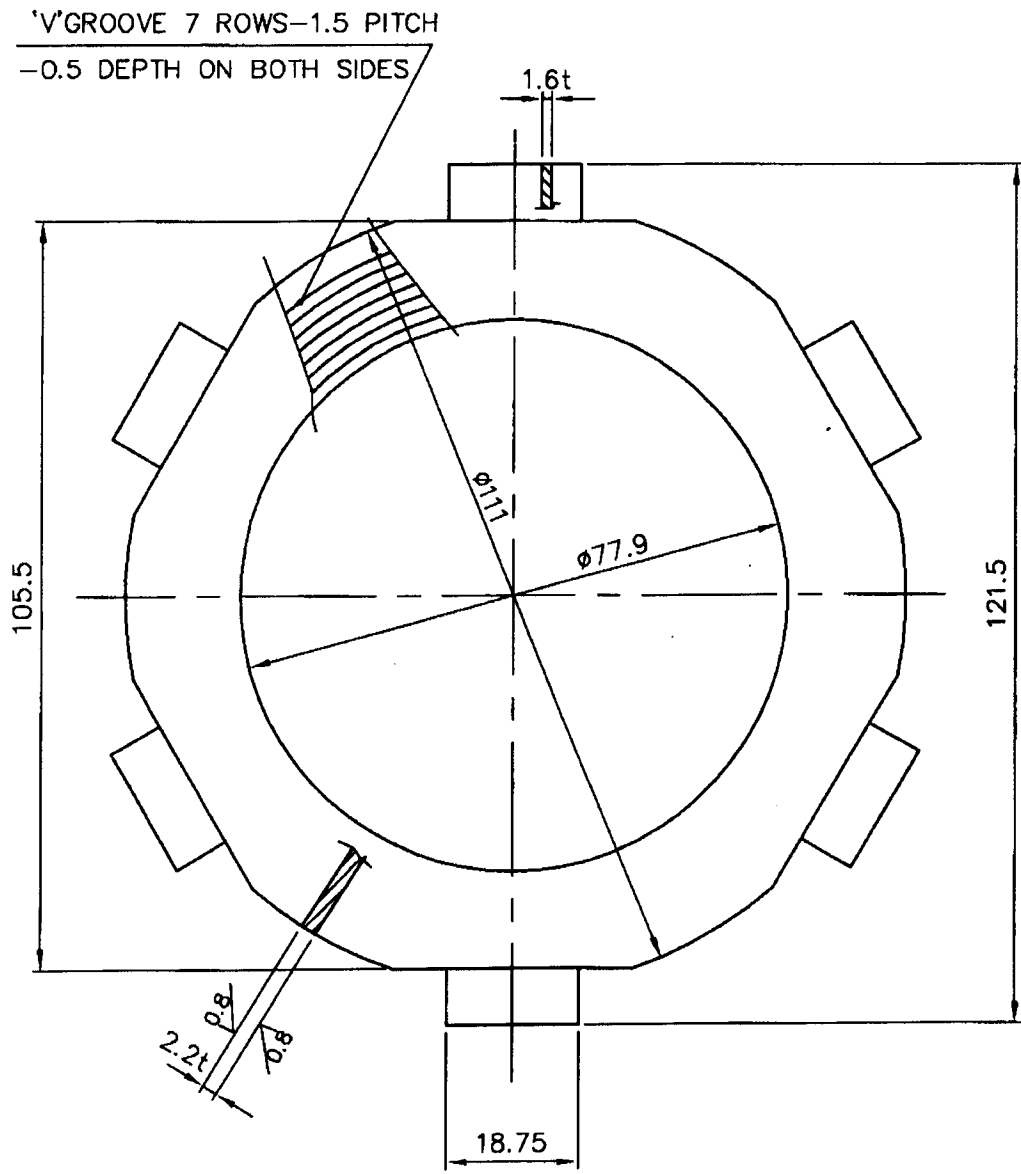
		C55. Mn 25							
		IS: 5517							
NO. OF PIECES	DESCRIPTION	SEMI-PRODUCT	FINAL MATERIAL	INITIAL MATERIAL	SCRAP SORT	NET Wt(kg)	GROSS Wt(kg)	DRAWING NO.	ITEM NO.
REMARKS						TOTAL NET Wt(kg)			
SCALE	DRAWN	REFERENCE	ALTERATIONS		DATE	SIGNATURE	INDEX		
1:1	<i>Divan</i>								
	CHECKED								
	APPROVED								
	STDS. OFFICER								
	DATE	10-09-87							
MACHINE		CENTRE LATHE		TYPE: SUPERCUT-B 32		INV. NO.			
TITLE:		INNER PLATE		DRAWING NO. 08A09		4-M- <del>005</del> -23129			
[FOR ELECTROMAGNETIC CLUTCH]				NO. OF SHEETS		SHEET NO.			



CAUTION: THIS DRAWING IS OUR SOLE PROPERTY AND SHOULD NOT BE USED IN ANY FORM FOR ANY PURPOSE WITHOUT THE WRITTEN PERMISSION OF BHARAT HEAVY ELECTRICALS LIMITED TRICHIRAPPALLI - 620 014.

ALL DIMENSIONS ARE IN MM

3.2/0.8/√



HARDENED TO HRC.45 ±2

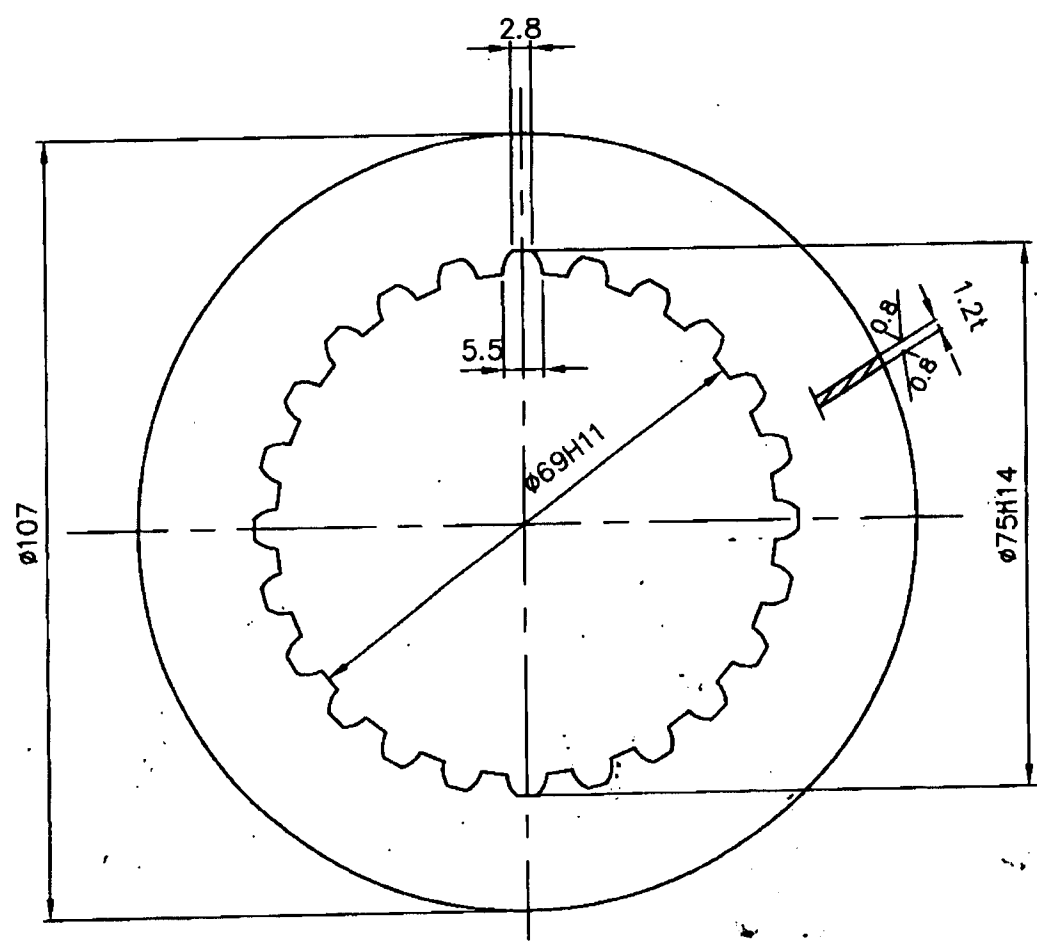
⊗	∅121.5x2.2t	EN 42J	BS: 970	0.02		
No. of Pieces	DESCRIPTION.	MATERIAL	STANDARD	NET.WT.IN KGS.	DRAWING No.	ITEM No.
REFERENCE:			COMPONENT CODE: 19	EQUIPMENT CODE: 10		
SCALE	DRAWN	P.A.ROSS	ALTERATIONS:	DCN REF	DATE.	SIGN.
1:1	CHECKED	<i>R. Ramamurthy</i>				
	APPROVED	<i>[Signature]</i>				
	DATE	27-06-2002				
	MACHINE: CENTRE LATHE	TYPE: NH 26				
	TITLE: CLUTCH PLATE - OUTER CLUTCH ASSY.	DRAWING No: 4-M-08A-26917	REV.			
	No. of Sheets:	Sheet No:				

PURPOSE WITHOUT THE WRITTEN PERMISSION  
 OF BHARAT HEAVY ELECTRICALS LIMITED  
 TRICHIRAPPALLI - 620 014.

ALL DIMENSIONS ARE IN MM

ø75H 14	-0.740
	-0.000
ø69H11	+0.190
	+0.000

3.2/08/✓



NO. OF TEETH - 24  
 MODULE - 3  
 INVOLUTE SPLINE  
 AS PER IS: 3665

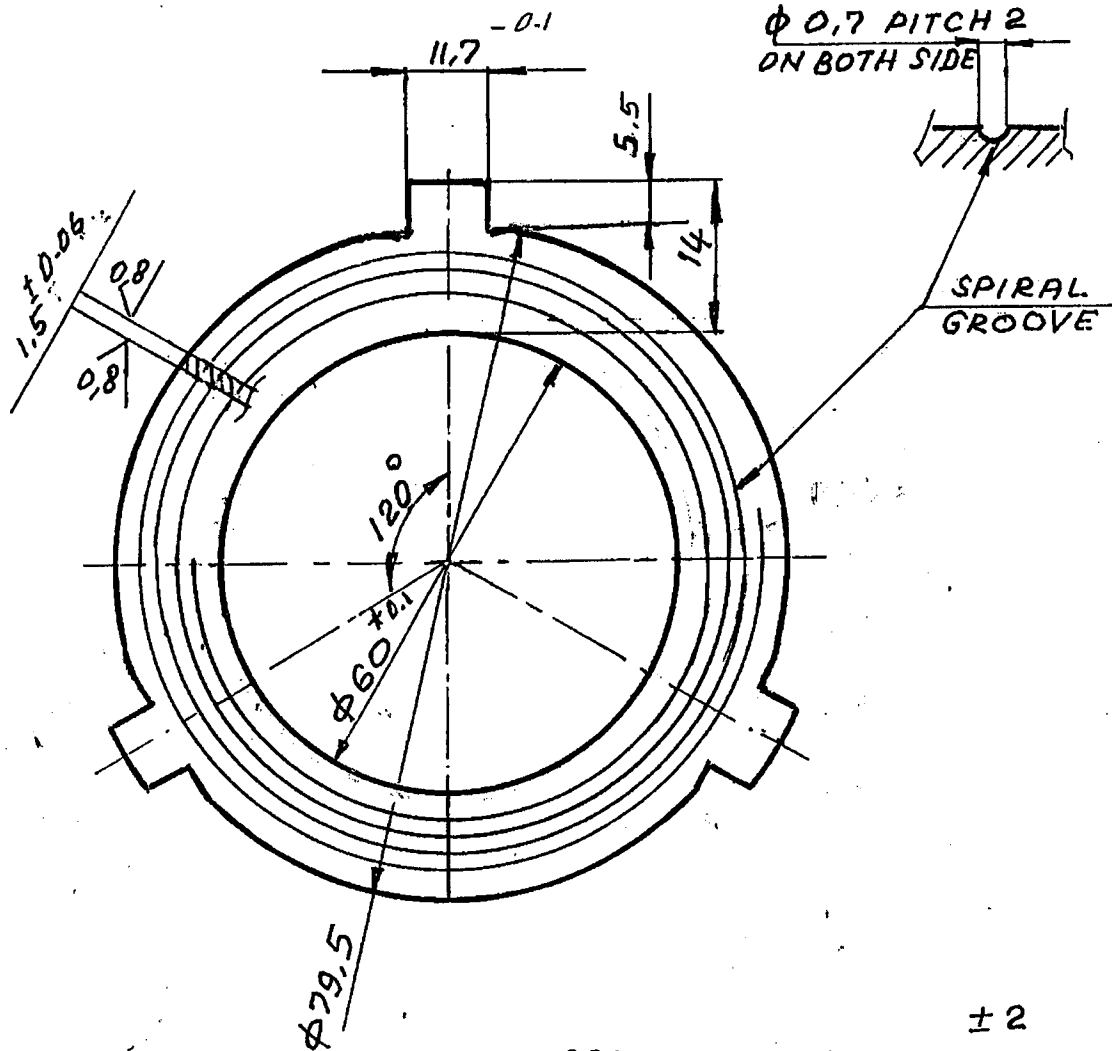
HARDENED TO HRC 45 ±2

7	ø107 x 1.2t	EN 42J	BS: 970	0.02		
No. of Pieces	DESCRIPTION	MATERIAL	STANDARD	NET.WT. IN KGS.	DRAWING No.	ITEM No.
REFERENCE:			COMPONENT CODE: 19	EQUIPMENT CODE: 10		
			ALTERATIONS:	DCN REF	DATE	SIGN. INDEX
SCALE	DRAWN	P.A. ROSS / etc /				
1:1	CHECKED	R. Ramamurthy				
	APPROVED					
	DATE	27-06-2002				
	MACHINE: CENTRE LATHE	TYPE: NH 26				REV.
	TITLE:	DRAWING No: 10				
	CLUTCH PLATE INNER (CLUTCH ASSY.)	4-M-08A-26918				
		No. of Sheets:	Sheet No:			

**Caution**  
 THIS DRAWING IS OUR SOLE PROPERTY AND SHOULD NOT BE USED IN ANY FORM FOR ANY OTHER PURPOSE WITHOUT THE WRITTEN PERMISSION OF BHARAT HEAVY ELECTRICALS LTD., TIRUCHIRAPALLI - 620 019.

32/08/✓✓✓

39-607 A



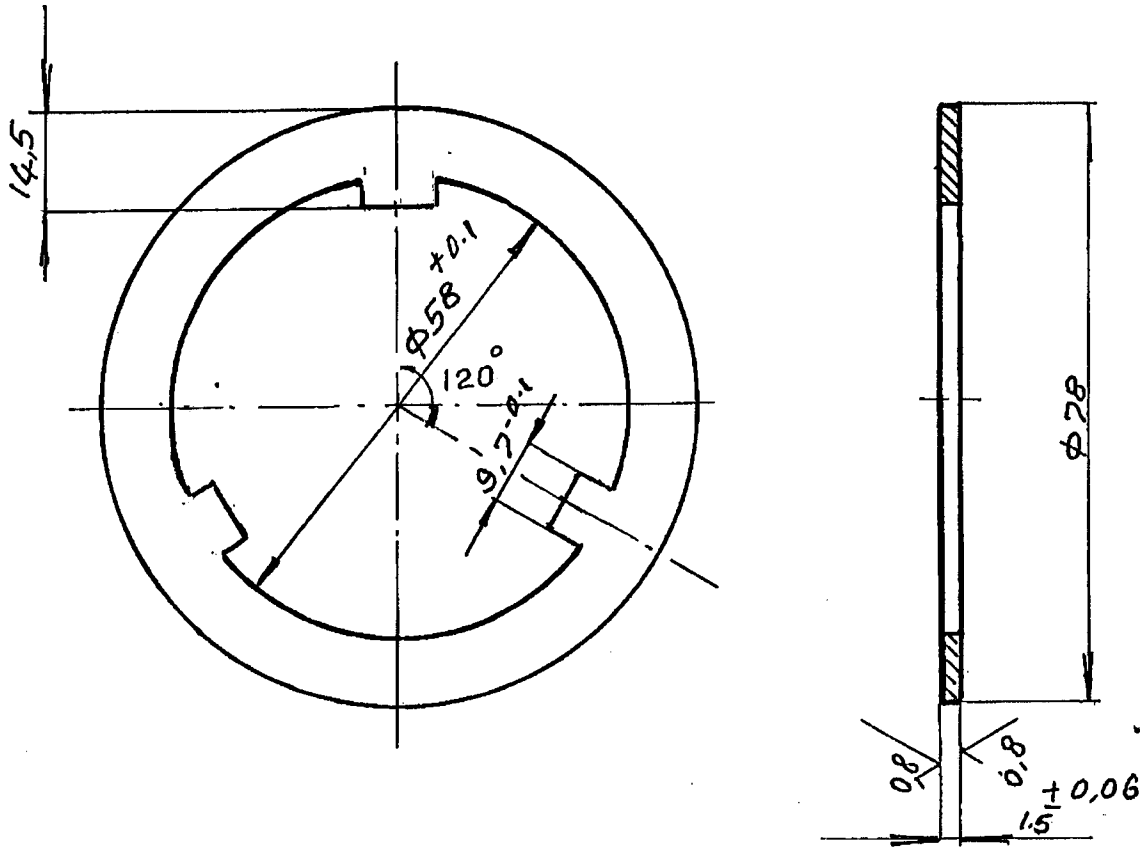
		En 42J	B3: 970	0.028			
		B5C6	15:2507				
No. of pcs	DESCRIPTION	MATERIAL	STD/BPS	Nr. kg	DRAWING No.		Item No.
REFERENCE:		ALTERATIONS	EC: 12/CC: 19	DCM	DATE	SIGN.	Index
SCALE	DRAWN	P. Sundar					
	CHECKED	R. Ramasamy					
	APPROVED	Suashellada					
	DATE	3-1-96					
MACHINE: CENTRE LATHE		TYPE: 1810		Total wt. (kg.)		REV.	
TITLE		DRAWING No.		12			
		CLUTCH PLATE		4-M-08B-25642			
[088x1060x115]		[OUTER]		No. of Sheets 1		Sheet No.	

**Caution**

THIS DRAWING IS OUR SOLE PROPERTY AND SHOULD NOT BE USED IN ANY FORM FOR ANY OTHER PURPOSE WITHOUT THE WRITTEN PERMISSION OF BHARAT HEAVY ELECTRICALS LTD., TIRUCHIRAPALLI - 620 019.

32/08/11

39-607 A



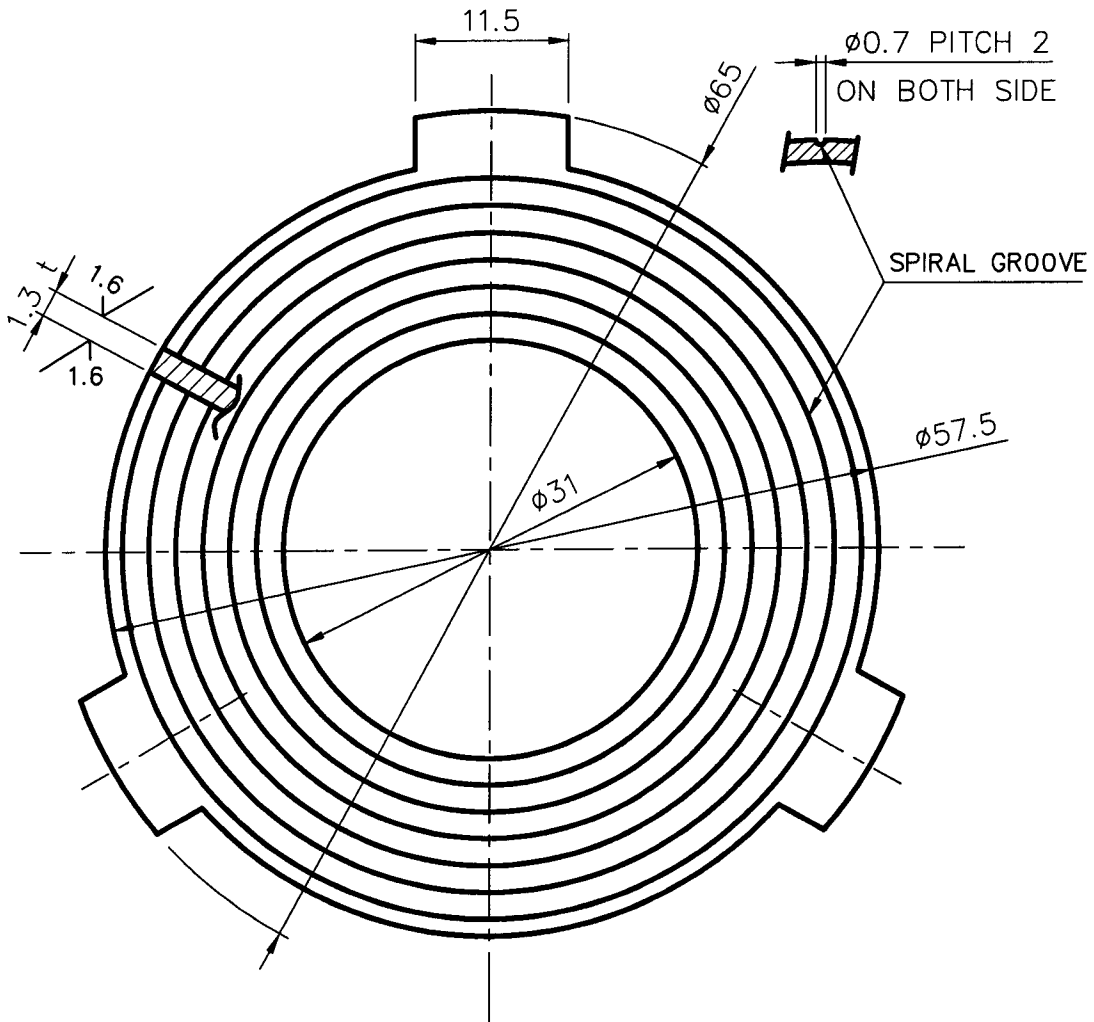
HARDNED TO HRC 45 ± 2

		En 425	BS: 970	0.020			
		85C6	IS: 2507				
No. of pcs.	DESCRIPTION	MATERIAL	STD/BPS	Net wt. (kg)	DRAWING No.	Item No.	
REFERENCE:		ALTERATIONS EC 12/CC: 19		DCN	DATE	SIGN.	Index
SCALE	DRAWN	N. Kumar					
	CHECKED	R. Ramamurti					
	APPROVED	K. S. S. S. S.					
	DATE	3-01-96					
MACHINE: CENTRE LATHE		TYPE: 1810		Total wt. (kg)			
TITLE		DRAWING No.		REV.			
		CLUTCH PLATE		4-M-08B-25643 <sup>12</sup>			
0078x1058x15t [INNER]		No. of Sheets :		Sheet No.			

CAUTION: THIS DRAWING IS OUR SOLE PROPERTY AND SHOULD NOT BE USED IN ANY FORM FOR ANY PURPOSE WITHOUT THE WRITTEN PERMISSION OF BHARAT HEAVY ELECTRICALS LIMITED TRICHIRAPPALLI - 620 014.

ALL DIMENSIONS ARE IN MM

3.2//1.6✓



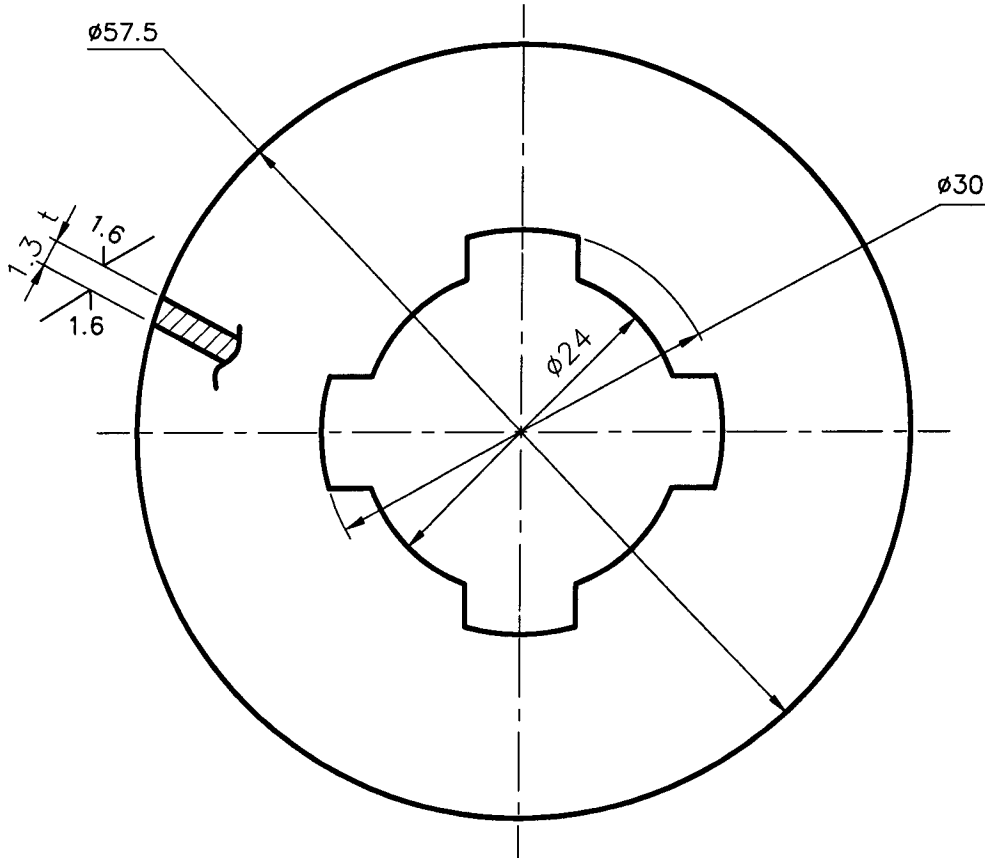
NOTE: - SHARP CORNERS TO BE REMOVED

EN 42J BS 970		85 C6 IS: 2507					
No. of Pieces	DESCRIPTION	MATERIAL	STANDARD	NET.WT.IN KGS.	DRAWING No.		ITEM No.
	REFERENCE:	ALTERATIONS:		DCN REF	DATE	SIGN.	INDEX
SCALE	DRN.	S.Selvamanickam					
2:1	CHED.	R.Ramamoorthy					
	APPD.	R.Ramanan					
	DATE	13.03.13'					
	MACHINE: VERTICAL MILLING MACHINE			TYPE: FA5V			
	TITLE:			DRAWING No:			REV.
	CLUTCH PLATE (OUTER) (FEED BOX ASSY.)			4M09A0429641			
				Sheet No:		No. of Sheets:	

CAUTION: THIS DRAWING IS OUR SOLE PROPERTY AND SHOULD NOT BE USED IN ANY FORM FOR ANY PURPOSE WITHOUT THE WRITTEN PERMISSION OF BHARAT HEAVY ELECTRICALS LIMITED TRICHIRAPPALLI - 620 014.

ALL DIMENSIONS ARE IN MM

3.2//1.6



NOTE: - SHARP CORNERS TO BE REMOVED

X		EN 42J	85 C6				
		BS 970	IS: 2507				
No. of Pieces	DESCRIPTION	MATERIAL	STANDARD	NET.WT.IN KGS.	DRAWING No.	ITEM No.	
REFERENCE	ALTERATIONS	DCN REF	DATE	SIGN.	INDEX		
SCALE	DRN. S.Selvamanickam						
2:1	CHED. R.Ramamoorthy						
	APPD. R.Ramanan						
	DATE 13.03.13						
MACHINE: VERTICAL MILLING MACHINE			TYPE: FA5V				
TITLE: CLUTCH PLATE (INNER) (FEED BOX ASSY.)			DRAWING No: 4M09A0429642				REV.
			Sheet No:				No. of Sheets: