



429-002/A

**BHARAT HEAVY ELECTRICALS LIMITED**

( A Government of India Undertaking )  
HIGH PRESSURE BOILER PLANT  
PURCHASE DEPARTMENT - FOSSIL BOILERS  
THIRUCHIRAPALLI - 620014  
TAMILNADU (INDIA)

Page  
1/2


PHONE :2577629  
GRAMS : BHARATELEC  
FAX NO: 2520719  
E-mail: srchandran@bheltry.co.in  
Web:

Enquiry No	Enquiry Date	Due Date for Quotation
2661400828 - 55	10.11.2014	05.12.2014
Please quote Enquiry No, Date and due date in all correspondences. This is only a request for quotation and not an order		

Item	Description	Unit	Quantity	Delivery Quantity	Schedule Date
10	7519A0701200 SCREW CONVEYOR (RH) AS PER DRG. NO. 3-M-19A07-15187. VENDOR QUALIFYING CRITERIA: Only those vendors who satisfy the following conditions will get qualified to participate in the tender: 1. Vendor should have minimum 3 years of experience in this field. 2. Previous PO details for supplying similar kind of items to BHEL and/or any-other Organisation should be submitted along with offer. r.Otherwise offer will be rejected. 3. Company profile details has to be provided along with offer. 4. BHEL reserves the right to visit the vendor's works for verifying the manufacturing facilities and any other credential furnished by the vendor. In case the information furnished with the offers found to be false /incorrect, the offer shall be rejected.	NO	2.000	2.00	31.01.15
20	7519A0701300 BUCKET AS PER DRG. NO. 3-M-19A07-15191.	NO	50.000	50.00	31.01.15
30	7519A0701400 SPINNER SHAFT AS PER DRG. NO. 3-M-19A07-15203.	NO	6.000	6.00	31.01.15
40	7519A1502700 EYE HOOK 2 TONS AS PER DRG. NO. 4-M-19A15-27355-01	NO	4.000	4.00	31.01.15
50	7519A1502800 BRACKET AS PER DRG. NO. 4-M-19A15-27354.	NO	6.000	6.00	31.01.15
60	7519A1502900 HUB AS PER DRG. NO. 4-M-19A15-27361.	NO	2.000	2.00	31.01.15
70	7519A1701500	NO	3.000	3.00	31.01.15

The offers should reach us 30 minutes before the time of opening of tenders.  
The offers will be opened at 14.30 hrs on the due date of tender in the presence of tenderers who have submitted their offer and who may like to be present for the tender opening. Late and delayed offers are liable to be rejected.

**VIGILANCE AWARENESS WEEK**  
**27 th OCT to 1st NOV 2014**  
**FOR VIGILANCE RELATED COMPLAINTS,**  
**CONTACT DGM/VIGILANCE**  
**PHONE:0431-2577552,2577636**

Yours faithfully,  
For **BHARAT HEAVY ELECTRICALS LIMITED**  
  
MANAGER / PURCHASE  
(FOSSIL BOILERS)  
Yours faithfully,



# BHARAT HEAVY ELECTRICALS LIMITED

( A Government of India Undertaking )  
HIGH PRESSURE BOILER PLANT  
PURCHASE DEPARTMENT - FOSSIL BOILERS  
THIRUCHIRAPALLI - 620014  
TAMILNADU (INDIA)

Page  
2/2

PHONE :2577629  
GRAMS : BHARATELEC  
FAX NO: 2520719  
E-mail: srchandran@bheltry.co.in  
Web:

2661400828 / 10.11.2014

SECTOR ARM AS PER DRG.  
NO.4-M-19A17-28868.

80	7519A1500200	NO	2.000	2.00	31.01.15
	PROTECTION PLATE AS PER DRG. NO. 3-M-19A15-11909.				

**General Note:**

GENERAL NOTE:PLEASE SUBMIT YOUR OFFER IN "TWO PART BID SYSTEM" AS PER THE ANNEXURES ENCLOSED.  
ENCLOSURES:ANNEXURE II,III,IV,V,VI,VII.

**Enclosures:**

"LD clause has to be confirmed without fail."

The offers should reach us 30 minutes before the time of opening of tenders.  
The offers will be opened at 14.30 hrs on the due date of tender in the presence of tenderers who have submitted their offer and who may like to be present for the tender opening.Late and delayed offers are liable to be rejected.

**VIGILANCE AWARENESS WEEK**


**27 th OCT to 1st NOV 2014**

**FOR VIGILANCE RELATED COMPLAINTS,**

**CONTACT DGM/VIGILANCE**

**PHONE:0431-2577552,2577636**

Yours faithfully,  
For **BHARAT HEAVY ELECTRICALS LIMITED**

  
MANAGER / PURCHASE  
(FOSSIL BOILERS)

Yours faithfully,

**CAPITAL PURCHASE**  
**COMMERCIAL TERMS AND CONDITIONS**

**1.0 QUOTATIONS**

The Bidders shall submit the offer in **TWO INNER ENVELOPES** as indicated below which shall be sealed in one outer envelope.

**Envelope I** This sealed envelope should contain all the copies of technical bid together with un-priced commercial bid & annexure III. This envelope should be clearly marked **'Part I - Technical and commercial bid'**,

Indicating Enquiry No., Due Date and Address & Reference of the Bidder.

**Envelope II** This sealed envelope should contain **price as per Annexure-IV format**. This envelope should be clearly marked **"Part II - Price bid"**, indicating **Enquiry No., Due Date and Address & Reference of the Bidder**.

Both the envelopes (Part I & II) shall be put in one cover (**Envelope III**), duly sealed, superscribing as Part I and Part II of Enquiry No., due date of opening and the address and reference of the Bidder

The above offer should reach this office on or before the due date by 14.00 hours (IST). Late offers will not be considered.

Tender should not be addressed to any individual's name but only by designation to

**SENIOR MANAGER /PURCHASE/ CP & SP/ MM / MFG  
BHARAT HEAVY ELECTRICALS LIMITED  
HIGH PRESSURE BOILER PLANT  
TIRUCHIRAPALLI - 620 014  
TAMIL NADU**

Tenders should be free from **CORRECTION AND ERASURES**, Corrections if any, must be attested. All Amounts shall be indicated both in words as well as in figures. Where there is difference between amount quoted in words and figures, amount quoted in words shall prevail.

Offers should be in **ENGLISH** and accompanied by detailed technical literature, catalogue and detailed dimensional drawings in **ENGLISH** or otherwise, the offers will not be considered.

**2.0 OPENING OF TENDERS**

The Part I - Technical & commercial bid alone would be opened on the Tender opening date.

The Part II - Price bid of technically suitable Bidders alone would be opened. The Technically Suitable Bidders would be informed about the tender opening date through e-mail.

Clarifications if any required by BHEL for Technical evaluation **would be** sought from Bidders before opening of Part II - price bid

**For any queries clarifications the bidders may contact us through our FAX NO. +91 431 2520719 or through e-mail <mmcpmfg1@bheltry.co.in >&< chells@bheltry.co.in>**

**MM: CP & SP**  
**Annexure For Techno Commercial Bid**

Check List - to be filled and submitted along with Technical Bid

BHEL Commercial Terms and Conditions for Indigenous Supplies	Vendor's Confirmation / Comments
Technical confirmation to BHEL's Specification as called for in BHEL Format shall be furnished. If needed additional sheets shall be used.	
Prices shall be <b>quoted item wise</b> only as per the model format enclosed	
Prices shall be quoted on " <b>FIRM PRICE</b> " basis only The prices should be only on <b>F.O.R / Despatching station</b> basis with <b>Packing &amp; Forwarding</b> charges if any. <b>Applicable % of ED &amp; Sales Tax, Freight &amp; Insurance, Installation &amp; Commissioning Charges should be clearly Indicated</b>	
<b>Validity of offer</b> shall be for a minimum period of 120 days from the date of Tender opening	
Delivery period from the date of Letter of Intent / Purchase order shall be clearly mentioned in the offer	
<b>Liquidated damages @ '0.5%</b> per week subject to a maximum of 10% of the order value shall be applicable for delay in deliveries <b>For Details Refer Annexure- v</b>	
<b>Following Risk Purchase clause</b> shall be applicable The purchaser at his option will be entitled to terminate the contract and to purchase elsewhere at the risk and cost of the seller either the whole of the goods or any part which the supplier has failed to deliver or dispatch within the time stipulated or if the same were not available, the best and the nearest available substitute therefore The supplier shall be liable for any loss which the Purchaser may sustain by reason of such risk purchases	
<b>Payment term for supply portion:</b> Payment term is 100% direct payment after 45 days from the date of receipt and acceptance of materials <b>For details Refer Annexure- v</b>	
Erection / commissioning: (if applicable only) Erection / commissioning charges if any has been mentioned in the offer or else confirmation that Erection /commissioning shall be done at free of cost is available in the offer,	
The equipment shall be guaranteed for a period of 12 months from the date of commissioning	
Final inspection and acceptance of equipment will be after installation at BHEL, Trichy	
The vendor shall provide necessary drawings, Test Certificates and Operating Maintenance Manuals etc., as called for in the Technical Specification, in the required number of copies at no extra cost	
Any warranty replacement during warranty period shall be supplied free of charge on FOR BHEL, Trichy basis.	
Offers should be submitted only in <b>sealed cover super-scribing clearly the Enquiry reference and due date.</b>	
% of Excise Duty with cess	
% of TAX (CST/VAT)-(INGST with FORM-17 or CST with C-FORM)	
Packing & Forwarding Charges ( if any in % only)	
Percentage of Freight& transit insurance charges, if any Freight charges from Dispatching station to BHEL, Tiruchirappalli • Supplier should quote for F.O.R-BHEL Trichy Stores.	
As per Commercial terms and conditions, acceptance for participation in Reverse auction (RA).Yes/No to be indicated	
Name of the person for participating reverse auction	
Land Line Number	
Fax Number	
Mobile Number	
E-mail ID	

## NOTE:-

- a) It is confirmed that all the terms and conditions stipulated in the Enquiry have been fully understood by us and all clarifications & details have been obtained.
- b) Your offer should be indicating applicable if any P&F Charges, % of ED, Sales Tax -CST or VAT, Service Tax), Freight, Insurance and Installation and Commissioning Charges etc., as per our Price Format
- c) Your specific acceptance to our Payment terms, LD & Risk Purchase Clause are essential for consideration of your offer. Other wise your offer is liable for rejection.
- d) No row shall be left blank. Please indicate NA, in case the item is "not applicable"

**Annexure For Price Bid**

**Bharat Heavy Electricals Limited TIRUCHIRAPPALLI CAPITAL PURCHASE  
MODEL PRICE BID FORMAT FOR INDIAN BIDDERS**

Annexure-IV

Enquiry No. & Date:

Bidder's Offer No. & Date:

SI No	Description of item	Unit	Quantity	Rate in Rs.	Value in Rs.
	<b>TOTAL VALUE IN RS.</b>				
	<b>Packing &amp; Forwarding charges in % if any</b>				
	<b>Freight &amp; Insurance Charges In % if freight charges are not mentioned it will be considered as FOR-BHEL TRICHY.</b>				
	<b>Excise Duty (indicate in %)</b>				
	<b>A) TNGST — VAT (%)</b>				
	<b>B) CST with C-FORM — (%)</b>				
	<b>C) CST without C-Form — (%)</b>				
	<b>Approximate Net weight of the total consignment</b>				
	<b>Approximate Gross weight of the total consignment</b>				
	<b>Approximate Dimensions of the Consignment</b>				
	<b>The price indicated shall be inclusive of all accessories, spares etc. as given in the scope of supply. Individual item-wise break-up price shall be attached as an annexure to this price bid format.</b>				

**Signature & Seal of Vendor**

**NOTE:**

1. The price bid should be submitted only as per the above format. No row shall be left blank. Please indicate NA, in case the item is "not applicable".
2. Prices shall be quoted item-wise only as per the above format.
3. If Price quoted is Inclusive of ED, the included ED Value and Base Value shall be indicated item-wise.

<b>Payment Term (Indigenous)</b>	
<b>If materials are receivable at Stores/Trichy <u>without</u> PBG</b>	Payment term is 100% direct payment after 45 days from the date of receipt and acceptance of materials.
<b>If materials are receivable at Stores/Trichy <u>with</u> PBG</b>	Payment term is 100% direct payment after 45 days from the date of receipt and acceptance of materials and against 10% PBG valid for the warranty period.
Any deviation in the above payment term will attract loading as mentioned below. “Base rate of SBI (as applicable on the date of bid opening. Techno-commercial bid opening in case of two part bids) + 6% shall be considered for loading for the period of relaxation sought by bidders.	

Payment through Bank is not preferred. In case of Payment through Bank is opted by Supplier, BHEL prefers documents submission through bank with copy of LR and door delivery of Goods to Site/Stores with Consignee copy attached. In this case Loading will be 3% on the offered value.
Offers of indigenous Suppliers with payment terms as LC/Advance Payment are liable for rejection.

<b>Liquidated Damages / Penalty -</b>
Liquidated damages shall be 0.5% of the total order value per week or part thereof subject to a maximum of 10% of the total order value.
For staggered delivery schedule, LD shall be 0.5% of the undelivered portion per week of the delay or part thereof subject to a maximum of 10% of the total order value.
Any deviation from the above LD clause, loading will be applied to the extent to which it is not agreed by the bidder (at offered value).

<b>Guarantee / Warranty Period – (if applicable)</b>
Normally No deviation permitted and the deviated offers are liable for rejection.

<b>Ranking-</b>
BHEL will consider the ranking after the loading is applied as referred above wherever deviations are observed.

<b>Performance Bank Guarantee – (if applicable)</b>
Normally No deviation permitted and the deviated offers are liable for rejection.

**NOTE:-**

1. If the due date of tender opening happens to be a holiday, the tenders will be opened on the next working day.
2. BHEL reserves the right to go for a reverse auction (RA) instead of opening the submitted sealed bid which will be decided after technical evaluation. Information and general terms and conditions covering RA are given in commercial terms and conditions.
3. Corrigendum if any, with respect to this tender will be hosted only in the website <http://www.bhel.com> or <http://tenders.gov.in>. You are requested to visit the website regularly for updates.

**Special Provisions for Micro and Small Enterprises (MSE)**

1. 20% of the tendered quantity is earmarked for MSE suppliers in this tender.
2. Out of the 20% tendered quantity reserved for MSE suppliers, 4% shall be earmarked for procurement from MSE owned by SC/ST entrepreneurs.
3. In case MSE vendor participating in the tender quotes within the price band of L1+15%, they will be allowed to supply the portion of the requirement subject to acceptance of L1 price by MSE vendor. In case of more than one such MSE, the supply shall be shared proportionately.
4. "MSE suppliers can avail the intended benefits only if they submit along with the offer, attested copies of either EM II certificate having deemed validity (five years from the date of issue of acknowledgement in EM-II) or valid NSIC certificate or EM II certificate along with attested copy of a CA certificate (Format enclosed at Annexure -VII where deemed validity of EM II certificate of five Years has expired) applicable for the relevant financial year (latest audited). Date to be reckoned for determining the deemed validity will be the date of bid opening (Part 1 in case of two part bid). Non submission of such documents will lead to consideration of their bid at par with other bidders. No benefit shall be applicable for this enquiry if any deficiency in the above required documents are not submitted before price bid opening. If the tender is to be submitted through e-procurement portal, then the above required documents are to be uploaded on the portal. Documents should be notarized or attested by a Gazetted officer."

**Certificate by Chartered Accountant on letter head**

This is to Certify that M/S .....  
(hereinafter referred to as 'company') having its registered office at  
..... is registered under MSMED Act 2006, (Entrepreneur  
Memorandum No (Part-II) ..... dtd:.....,  
Category: ..... (Micro/Small)). (Copy enclosed).

Further verified from the Books of Accounts that the investment of the company as on  
date..... as per MSMED Act 2006 is as follows:

1. **For Manufacturing Enterprises:** Investment in plant and machinery (i.e. original cost excluding land and building and the items specified by the Ministry of Small Scale Industries vide its notification No.S.O.1722(E) dated October 5, 2006 :  
Rs.....Lacs
2. **For Service Enterprises:** Investment in equipment (original cost excluding land and building and furniture, fittings and other items not directly related to the service rendered or as may be notified under the MSMED Act, 2006:  
Rs.....Lacs

The above investment of Rs.....Lacs is within permissible limit of  
Rs.....Lacs for .....Micro / Small (Strike off which is not applicable)  
Category under MSMED Act 2006.

Date:

(Signature)

Name -

Membership number -

Seal of Chartered Accountant

7151/0715187

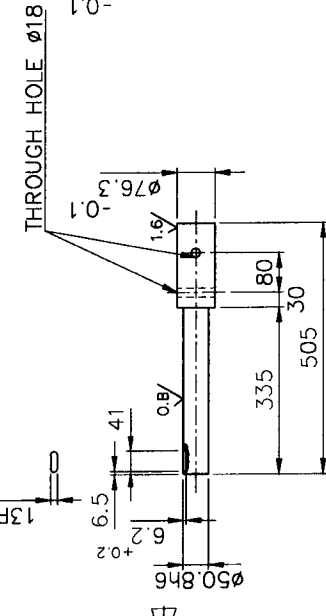
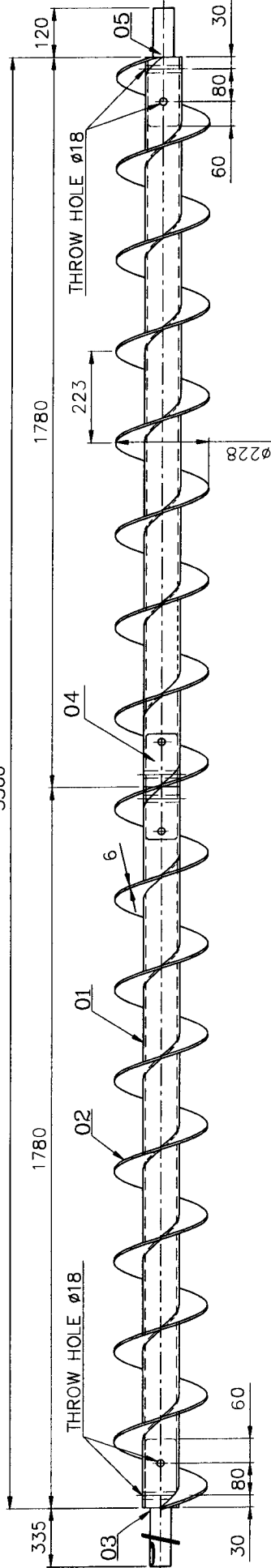
ON DRAWING

ALL DIMENSIONS ARE IN MILLIMETRES

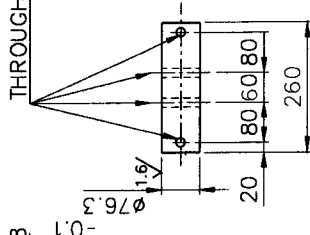
±0.000	1.3P9	-0.018
-0.019		-0.061

3.2/1.6/0.8/

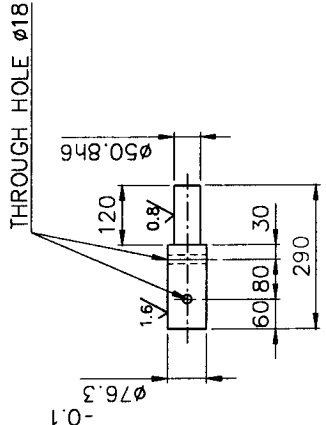
3560



ITEM NO-03



ITEM NO-04



ITEM NO-05

NOTE:-

- 01. ITEM NO-01 & 2 - HARD FACING TO BE DONE ON BOTH SIDES. TOTAL HARD FACING AREA 1.68M<sup>2</sup>. HARD FACING THICKNESS-1MMN
- 02. ITEM NO.-03.4 &5 TO BE HARDENED HARDNESS 60HRC

05	ROD 76.3x290L IS 1732		IS 2062	10.35
04	ROD 76.3x260L IS 1732		IS 2062	9.28
03	ROD 76.3x505L IS 1732		IS 2062	18.02
02	PL OD228xD88.9x6t IS 1730		IS 2062	1.73
01	PIPE OD88.9x6.3t-1780L IS 1239		ASME	22.83
ITEM NO	DESCRIPTION	DRAWING NO	MATL CODE	UNIT WT
			SA 106 GrB	2
			MATL SPEC	QTY

EQPT: SHOT BLASTING M/C / INDABRATOR

**Bharat Heavy Electricals Ltd**  
 HIGH PRESSURE BOILER PLANT  
 TIRUCHIRAPALLI - 620014

DEPT	M&S	GRADE OF INTOL DIM	SCALE	WEIGHT (Kg)
2597		φ/M/f IS:2102	1:10	110.99

DRN	NAME	SIGNATURE	DATE
CHD	T.T.BALAKRISHNAN	J.S. Balakrishnan	21.09.13
APPD	R.RAMANMOORTHY	R. Ramanamurthy	20.10.13
	K.RAMANAN	K. Ramanam	24.10.13

TITLE: SCREW CONVEYOR (RH)

DRAWING NO : 3M19A0715187

REV	REV

A3-SIZE

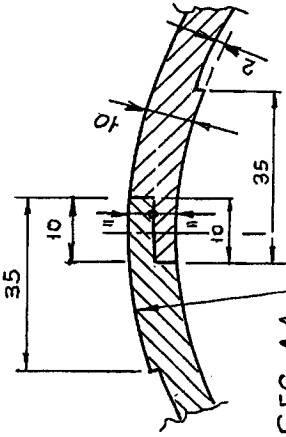
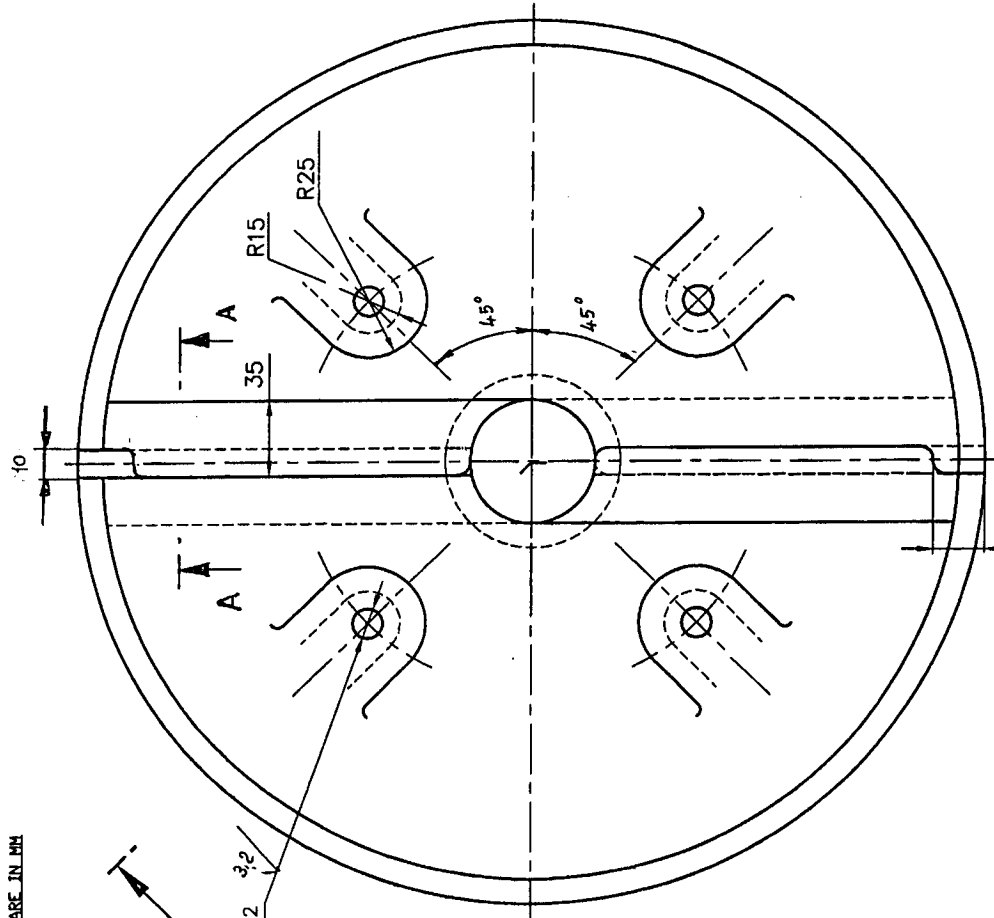
CAUTION: THE INFORMATION ON THIS DOCUMENT IS THE PROPERTY OF BHARAT HEAVY ELECTRICALS LIMITED. IT MUST NOT BE USED DIRECTLY OR INDIRECTLY IN ANY WAY DETRIMENTAL TO THE INTEREST OF THE COMPANY.



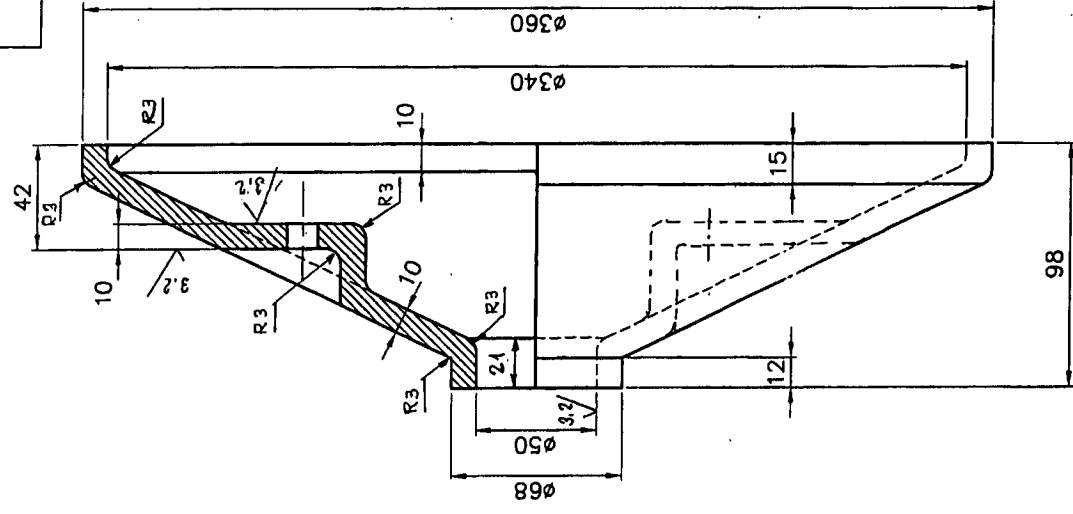


CAUTION: THIS DRAWING IS OUR SOLE PROPERTY AND SHOULD NOT BE USED IN ANY FORM FOR ANY PURPOSE WITHOUT THE WRITTEN PERMISSION OF BHARAT HEAVY ELECTRICALS LIMITED TRICHYRAIPALIT - 620 014.

ALL DIMENSIONS ARE IN MM  
 4 NOS. -  $\phi 12$   $\sqrt{3.2}$   
 ON PCD 185



NOTE:  
 HARDENED & TEMPERED TO HBW 510



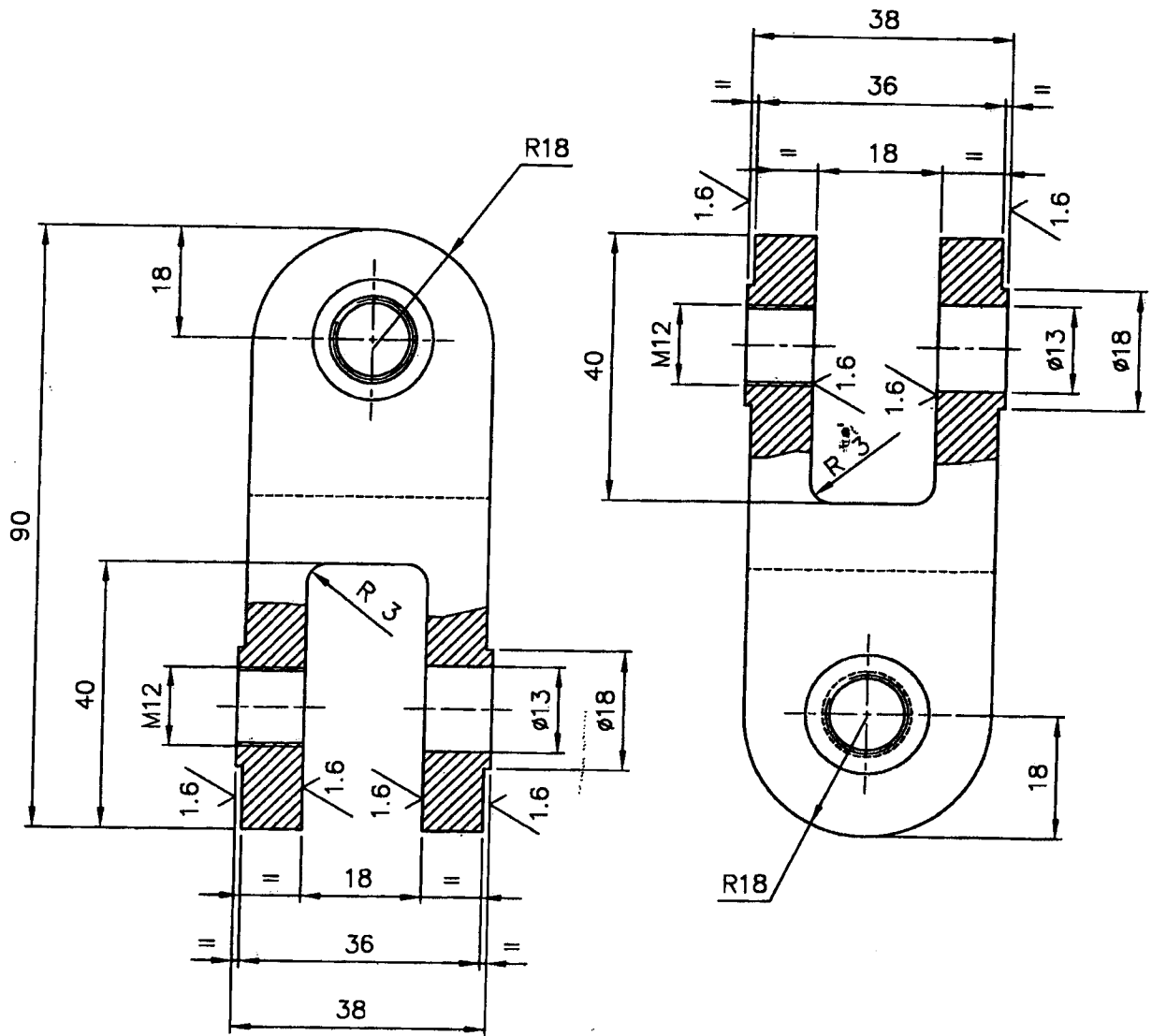
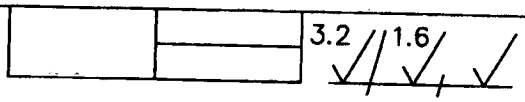
SEC - BB

No. of Pieces	DESCRIPTION	NI HC30/550	IS:4771	7.5	DRAWING No.	REV.
		MATERIAL	STANDARD	NET.WT.IN KGS.		
SCALE	DRAWN	G.G.R.	ALTERATIONS:		EQUIPMENT CODE: 15	INDEX
1:2	CHECKED		DCN REF	DATE	SIGN.	
NTS	APPROVED					
	DATE	06/03/00				
REFERENCE		MACHINE: SHOT BLAST		TYPE: INDABRATOR-BLDG. 5 & 6		
		TITLE:		DRAWING No.		
		PROTECTION PLATE.		3-M-19A-11909		
		(TROLLEY HOOK ASSY.)		No. of Sheets		
				Sheet No.		

THIS DRAWING IS OUR SOLE PROPERTY AND SHOULD NOT BE USED IN ANY FORM FOR ANY PURPOSE WITHOUT THE WRITTEN PERMISSION OF BHARAT HEAVY ELECTRICALS LIMITED TRICHIRAPPALLI - 620 014.

CAUTION:

ALL DIMENSIONS ARE IN MM



NOTE: -

SCANNED

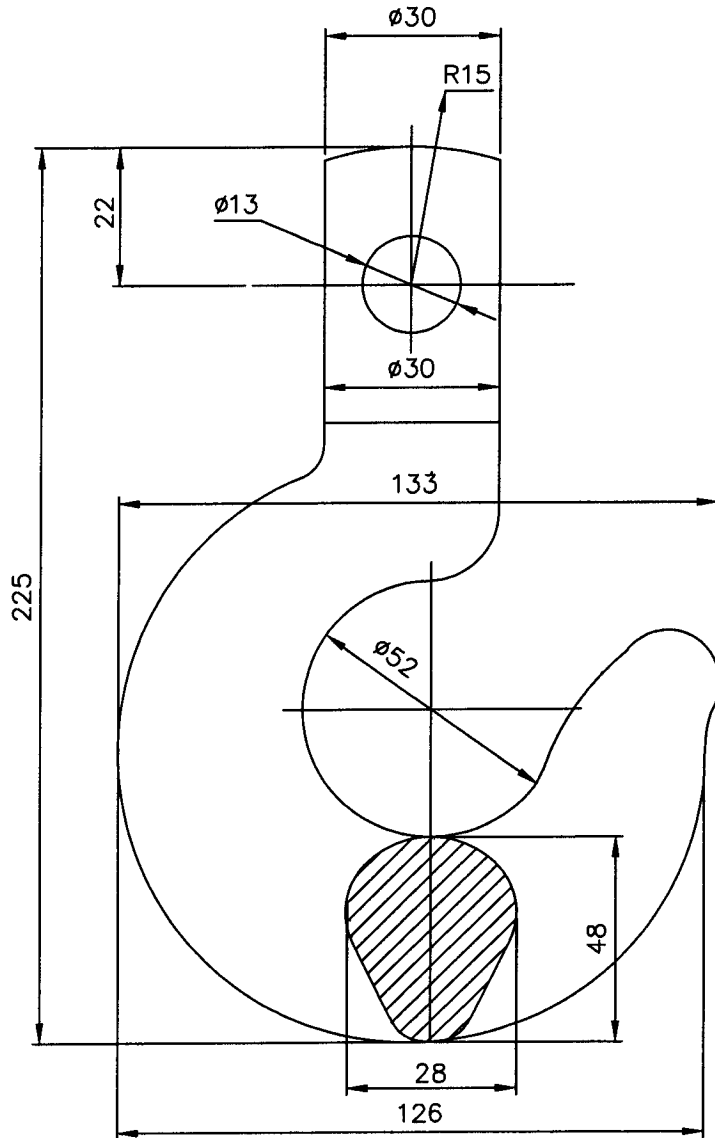
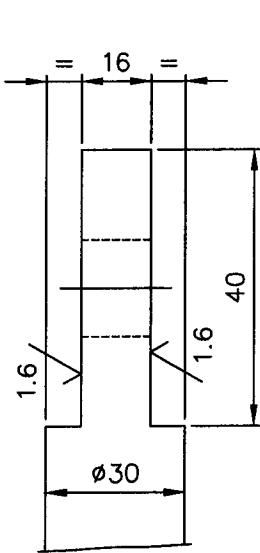
HARDENED AND TEMPERED TO HBW 510

		Ni HCr30/550	IS: 4771	0.35		
X						
No. of Pieces	DESCRIPTION	MATERIAL	STANDARD	NET.WT.IN KGS.	DRAWING No.	ITEM No.
	REFERENCE		ALTERATIONS	DCN REF	DATE	SIGN.
SCALE	DRAWN: <i>R. Narayanan Eng</i>					
1:1	CHECKED: <i>[Signature]</i>					
	APPROVED: <i>[Signature]</i>					
	DATE: 15.06.04					
	MACHINE: SHOT BLASTING					
	TITLE: BRACKET (EYE HOOK ASSY.)					
			TYPE: INDABRATOR-BLDG. 5&6			
			DRAWING No:		C.C:00	REV.
			4M19A1527354			
			Sheet No:		No. of Sheets:	

CAUTION: THIS DRAWING IS OUR SOLE PROPERTY AND SHOULD NOT BE USED IN ANY FORM FOR ANY PURPOSE WITHOUT THE WRITTEN PERMISSION OF BHARAT HEAVY ELECTRICALS LIMITED TRICHIRAPPALLI - 620 014.

ALL DIMENSIONS ARE IN MM

3.2/1.6/



NOTE: -

HARDENED AND TEMPERED TO HBW 510

		Ni HCr30/530	IS: 4771	0.98		
No. of Pieces	DESCRIPTION	MATERIAL	STANDARD	NET.WT.IN KGS.	DRAWING No.	ITEM No.
	REFERENCE:		ALTERATIONS:	DCN REF	DATE	SIGN. INDEX
SCALE	DRAWN	<i>R. Narayanan</i>	DRG. MODIFIED TO DATE		15.03.12	CSJ 01
NTS	CHECKED	R.RAMAMOORTHY				
	APPROVED	C.S.JAYASHEELAN				
	DATE	15.06.04				
	MACHINE: SHOT BLASTING	TYPE: INDABRATOR-BLDG. 5&6				
	TITLE:	EYE HOOK 2 TONS		DRAWING No:		REV.
				4M19A1527355		01
				Sheet No:		No. of Sheets:

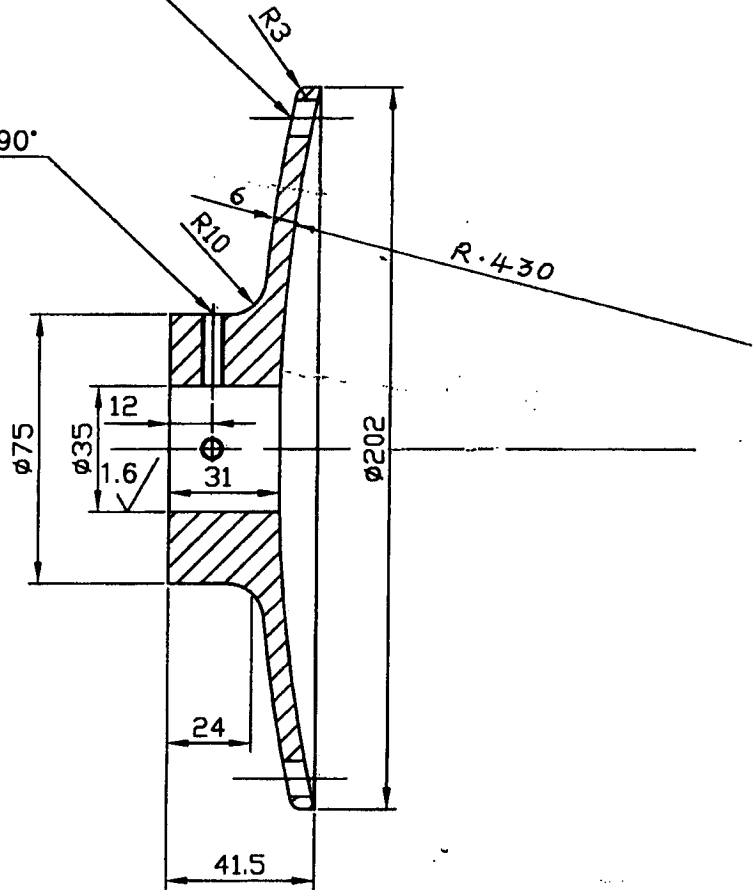
CAUTION: THIS DRAWING IS OUR SOLE PROPERTY AND SHOULD NOT BE USED IN ANY FORM FOR ANY PURPOSE WITHOUT THE WRITTEN PERMISSION OF BHARAT HEAVY ELECTRICALS LIMITED TRICHIRAPPALLI - 620 014.

ALL DIMENSIONS ARE IN MM

3.2 // 1.6 // 0.8 //

4HOLES  $\phi 12$  ON PCD 185

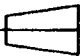

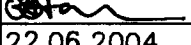

2Nos M8-AT90°



NOTE: -

HARDENED AND TEMPERED TO HBW 510

SCANNED

X		Ni HCr30/530	IS: 4771	2.75		
No. of Pieces	DESCRIPTION	MATERIAL	STANDARD	NET.WT.IN KGS.	DRAWING No.	ITEM No.
	REFERENCE:	ALTERATIONS:		DCN REF	DATE	SIGN.
SCALE	DRAWN	(330) T.T. Balakrishna				
1:2	CHECKED					
	APPROVED					
	DATE	22.06.2004				
	MACHINE:	SHOT BLASTING		TYPE: INDABRATOR-BLDG.5&6		
	TITLE:	HUB SPINNER CONE		DRAWING No:	C.C:00	REV.
			4M19A1527361		Sheet No:	No. of Sheets:

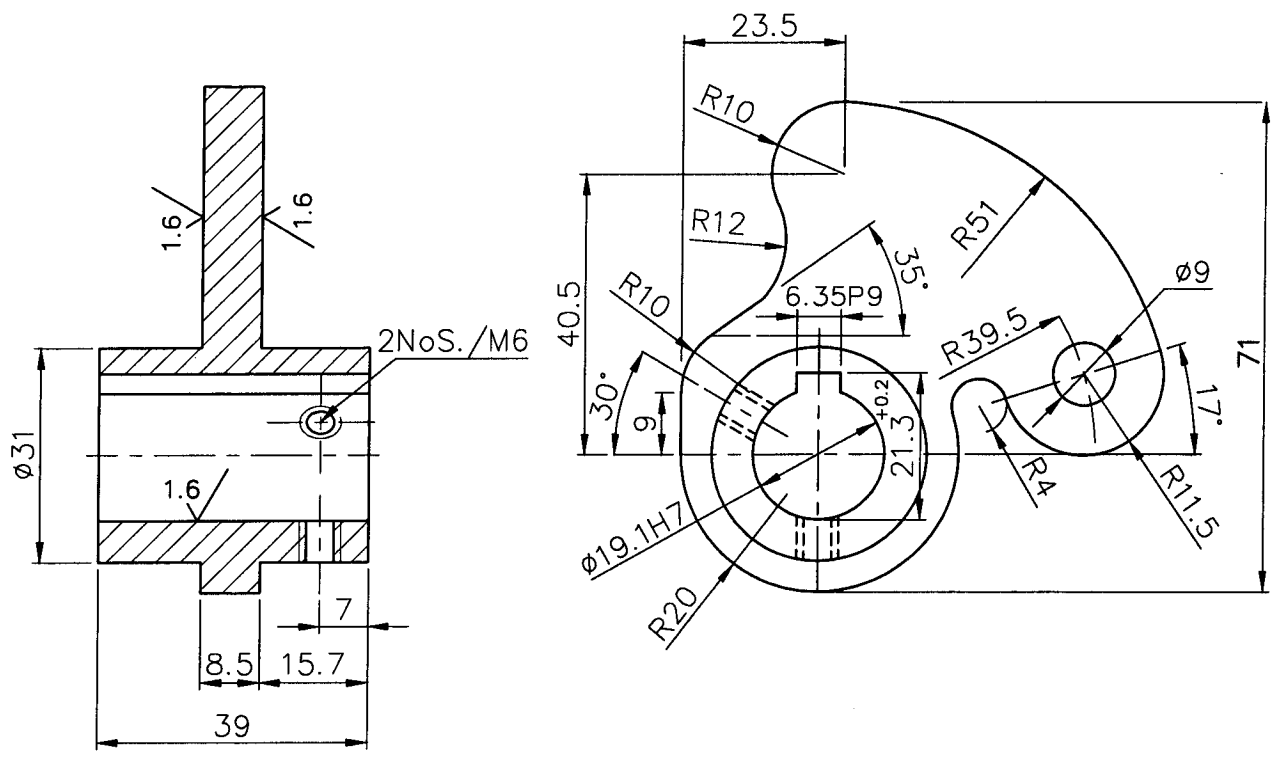
THIS DRAWING IS OUR SOLE PROPERTY AND SHOULD NOT BE USED IN ANY FORM FOR ANY PURPOSE WITHOUT THE WRITTEN PERMISSION OF BHARAT HEAVY ELECTRICALS LIMITED TRICHIRAPPALLI - 620 014.

CAUTION:

ALL DIMENSIONS ARE IN MM

6.35P9	-0.015	ø20H7	+0.021
	-0.051		+0.000

3.2//1.6/



NOTE:

SHARP CORNERS TO BE REMOVED 1/45°

X		FG 220	IS: 210	0.5		
No. of Pieces	DESCRIPTION	MATERIAL	STANDARD	NET.WT.IN KGS.	DRAWING No.	ITEM No.
		REFERENCE:	ALTERATIONS:	DCN REF	DATE	SIGN.
SCALE	DRAWN	G.Govindaraj				
1:1	CHECKED	R.Ramamoorthy				
	APPROVED	C.S.Jayasheelan				
	DATE	25/02/11				
MACHINE: SHOT BLASTING		TYPE: INDABRATOR-BM: 2K205/1B/BAY12				
TITLE: SECTOR ARM (SOUND ADAPTOR ASSY.)		DRAWING No:		4M19A1728868		
		Sheet No:		No. of Sheets:		