



BHARAT HEAVY ELECTRICALS LIMITED

(A Government of India Undertaking)
HIGH PRESSURE BOILER PLANT
PURCHASE DEPARTMENT - FOSSIL BOILERS
THIRUCHIRAPALLI - 620014
TAMILNADU (INDIA)

Page
1/3

PHONE :2577629
GRAMS : BHARATELEC
FAX NO: 2520719
E-mail: srchandran@bheltry.co.in
Web:

Enquiry No	Enquiry Date	Due Date for Quotation
2661400851 - 46	19.11.2014	15.12.2014

Please quote Enquiry No, Date and due date in all correspondences.
This is only a request for quotation and not an order

Item	Description	Unit	Quantity	Delivery Quantity	Schedule Date
10	420230000500 Insulation Bricks Hot Face as per IS:2042 Type-II. Size: 230 X 115 X 76 MM Specification: 1. Service Temperature: 1250 deg C max. 2. PCE OC: 27 3. Bulk Density: 0.9 g / cm ³ max. 4. Apparent Porosity: 60% min. 5. Cold Crushing Strength: 15 Kg / cm ² min. 6. PLC after Reheating for 24 hrs (%): 1.5 at 1250 deg C. 7. Size tolerance: + / - 2% 420230000500D1VALUE:	NO	6900.000	6,900.00	20.01.15
20	420230000400 Insulation Bricks Cold Face as per IS:2042 Type-III. Size: 230 X 115 X 76 MM. Specification: 1. Service Temperature: 850 deg C max. 2. Bulk Density: 0.75 g / cm ³ max. 3. Apparent Porosity: 65% min. 4. Cold Crushing Strength: 7 Kg / cm ² min. 5. PLC after Reheating for 24 hrs (%): 2 at 850 deg C. 6. Size tolerance: + / - 2% 420230000400D1VALUE:	NO	4900.000	4,900.00	20.01.15
30	VACCUM FORMED BOARD, SIZE: 150 MM X 600 MM, THICKNESS: 40 MM, SERVICE TEMPERATURE: 1425 DEG.C, DENSITY: 320 - 384 KG/CM ³ , Al ₂ O ₃ = 29-32 %, ZrO ₂ = 13-15 %, SiO ₂ = 52-56 % D1VALUE:	NO	1350.000	1,350.00	20.01.15
40	4218D0500300 SHAPED BRICK AS PER DRG. NO. 4M-18D-05-29639 4218D0500300D1VALUE:	NO	800.000	800.00	20.01.15
50	4218D0500100 SHAPED BRICK (SIDE WALL) AS PER DRG.NO.4M 18D 05 28028 4218D0500100D1VALUE:	NO	200.000	200.00	20.01.15
60	420232600000 IS.8 HIGH HEAT DUTY FIRE CLAY (Air setting)	KG	3000.000	3,000.00	20.01.15

The offers should reach us 30 minutes before the time of opening of tenders.
The offers will be opened at 14.30 hrs on the due date of tender in the presence of tenderers who have submitted their offer and who may like to be present for the tender opening.Late and delayed offers are liable to be rejected.

VIGILANCE AWARENESS WEEK

27 th OCT to 1st NOV 2014

FOR VIGILANCE RELATED COMPLAINTS,

CONTACT DGM/VIGILANCE

PHONE:0431-2577552,2577636

Yours faithfully,
For **BHARAT HEAVY ELECTRICALS LIMITED**

D. CHANDRAMOHAN
Senior Manager / MM / RM
Purchase / CP & SP
BHEL, TIRUCHY - 620014.

MANAGER / PURCHASE
(FOSSIL BOILERS)

Yours faithfully,



BHARAT HEAVY ELECTRICALS LIMITED

(A Government of India Undertaking)
HIGH PRESSURE BOILER PLANT
PURCHASE DEPARTMENT - FOSSIL BOILERS
THIRUCHIRAPALLI - 620014
TAMILNADU (INDIA)

Page
2/3

PHONE :2577629
GRAMS : BHARATELEC
FAX NO: 2520719
E-mail: srchandran@bheltry.co.in
Web:

2661400851 / 19.11.2014

MORTAR WITH CEMENT AS PER
FOLLOWING .
SPECIFICATION:.

1. Al₂ O₃ (%)MIN : 40 -45.
2. Fe₂ o₃ (%)Max : 2.2.
- 3 P.C.E(Orton) : 32 - 33.
4. setting : AIR.
5. Service temp.oC : 1450.
6. grain size : 0-0.5
7. Delivery : Packing in 50 kgs HDPE bags.DRY status.
8. Shelf life : Min.12 months from the date of delivery.

Note: Material test certificates should be submitted along with material supply.

420232600000D1VALUE:

70	420238610000	NO	230.000	230.00	20.01.15
----	--------------	----	---------	--------	----------

Insulating Castable

Quantity:

To be supplied in bags of 25 kgs each.

No. of bags = 230. Hence Total Weight = 25

X 230 = 5750 kgs

Type : Medium density insulating castable

Nature of bond : HYDRAULIC

Installation : Tamping/packing depending on site condition.

Raw material base : Insulating aggregate

Max. Service temp : 1300 O C

Max. grain size : 6 mm

Water reqd. : 40 to 46 %

Reversible thermal expansion : 0.60 % at 10000 C

Chemical analysis %:

Al₂ O₃: 45.0; SiO₂: 41.6; Fe₂ O₃: 1.2 Max;

TiO₂; 0.90; CaO: 10.0

420238610000D1VALUE:

80	420230540000	NO	8000.000	8,000.00	20.01.15
----	--------------	----	----------	----------	----------

IS 8, Fire brick, size: 230 mm X 115 mm X 75 mm

NOTE: Material should be crack free and material with cracks will not be accepted.Test certificate for material confirmity from approved

lab should be submitted along with supply of materials.

Material should be supplied in single batch. If to be supplied in

batches, each batch should be accompanied with Test certificate. Bricks

should have the Company emblem engraved.

PRE-QUALIFICATION CRITERIA FOR ALL ITEMS:

The BIDDER / VENDOR has to

compulsorily meet the following requirements for each item to get

qualified for consideration of the technical offer.

If the vendor does

not qualify as per PRE- QUALIFICATION

The offers should reach us 30 minutes before the time of opening of tenders.
The offers will be opened at 14.30 hrs on the due date of tender in the presence of tenderers who have submitted their offer and who may like to be present for the tender opening.Late and delayed offers are liable to be rejected.

VIGILANCE AWARENESS WEEK

27 th OCT to 1st NOV 2014


FOR VIGILANCE RELATED COMPLAINTS,

CONTACT DGM/VIGILANCE

PHONE:0431-2577552,2577636

D. CHANDRAMOHAN
Senior Manager / MM / RM
Purchase / CP & SP
BHEL, TIRUCHY - 620 014.

Yours faithfully,
For **BHARAT HEAVY ELECTRICALS LIMITED**


MANAGER / PURCHASE
(FOSSIL BOILERS)
Yours faithfully,



BHARAT HEAVY ELECTRICALS LIMITED

(A Government of India Undertaking)
HIGH PRESSURE BOILER PLANT
PURCHASE DEPARTMENT - FOSSIL BOILERS
THIRUCHIRAPALLI - 620014
TAMILNADU (INDIA)

Page
3/3
PHONE :2577629
GRAMS : BHARATELEC
FAX NO: 2520719
E-mail: srchandran@bheltry.co.in
Web:

2661400851 / 19.11.2014

CRITERIA, the technical offer of such BIDDER(s) / VENDOR(s) offer will not be considered.

1. The BIDDER(s) / VENDOR(s) shall be a Manufacturer or an Authorised dealer for the item/ items for which quotation is submitted. In case of dealers, valid dealership certificate should be submitted along with offer, failing which the offer will not be considered.
2. The BIDDER(s) / VENDOR(s) shall have supplied the item/ items for which quotation is submitted to at least Two industries in the past and the performance of the same should have been satisfactory. The BIDDER / VENDOR should necessarily attach Purchase order copy/ Performance certificate or any other documents supporting the above supply.
3. The reference List of Customers to whom earlier supplies were made shall be attached with the details (Name, Phone Number /E-Mail ID) of the CONTACT PERSON for cross reference by BHEL.
4. Any Deviations in technical specification may lead to rejection of the offer.

420230540000D1VALUE:

General Note:

PL. SUBMIT YOUR OFFER ON F.O.R - BHEL, TRICHY (TAMILNADU) BASIS AND IN TWO PART (TECHNO-COMMERCIAL BID AND PRICE BID) IN A SEPARATE COVER.

IF THE OFFER IS SUBMITTED IN SIGNLE PART AND THE SAME WILL BE LIABLE FOR REJECTION.

ANNEXURE-III ENCLOSED HEREWITH MUST BE FILLED, SIGNED AND SUBMITTED ALONG WITH YOUR OFFER.

THIS TENDER IS HOSTED IN BHEL WEBSITE VIDE NIT REF. _____ DT. _____ AND ANY CORRIGENDUM MAY PL BE VIEWED IN THE BHEL WEBSITE (HTTP://WWW.BHEL.COM)

ENCLOSURE: ANNEXURE - III

MSME VENDOR GIDE LINES WILL BE FOLLWDED FOR THIS TENDER

Enclosures:


"LD clause has to be confirmed without fail."

The offers should reach us 30 minutes before the time of opening of tenders. The offers will be opened at 14.30 hrs on the due date of tender in the presence of tenderers who have submitted their offer and who may like to be present for the tender opening. Late and delayed offers are liable to be rejected.

VIGILANCE AWARENESS WEEK
27 th OCT to 1st NOV 2014
FOR VIGILANCE RELATED COMPLAINTS,
CONTACT DGM/VIGILANCE
PHONE:0431-2577552,2577636

D. CHANDRAMOHAN
Senior Manager / MM / RM
Purchase / CP & SP
BHEL, TIRUCHY - 620014.

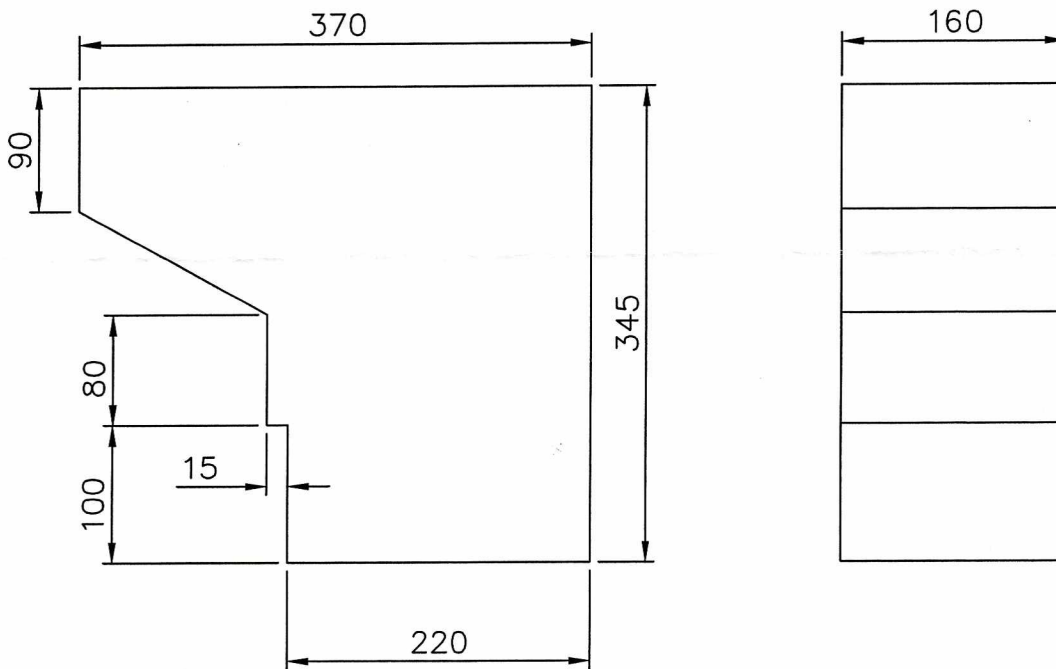
Yours faithfully,
For **BHARAT HEAVY ELECTRICALS LIMITED**


MANAGER / PURCHASE
(FOSSIL BOILERS)
Yours faithfully,

THIS DRAWING IS OUR SOLE PROPERTY AND SHOULD NOT BE USED IN ANY FORM FOR ANY PURPOSE WITHOUT THE WRITTEN PERMISSION OF BHARAT HEAVY ELECTRICALS LIMITED.

CAUTION:

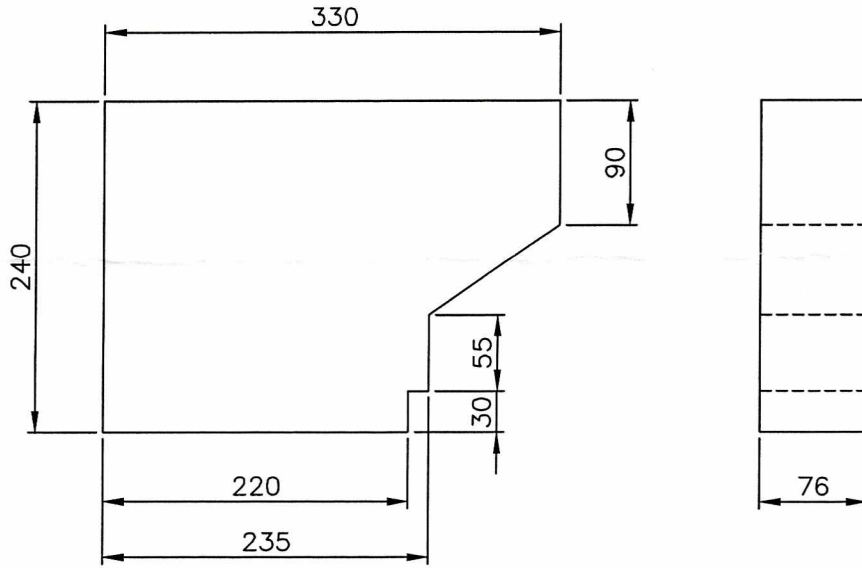
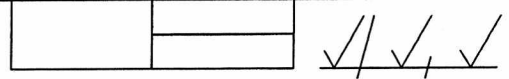
ALL DIMENSIONS ARE IN MM



				IS: 8					
No. of Pieces	DESCRIPTION		MATERIAL	STANDARD	NET.WT.IN KGS.	DRAWING No.		ITEM No.	
		REFERENCE:		ALTERATIONS:		DCN REF	DATE	SIGN.	INDEX
SCALE 1:5	DRN.	T.T.BALAKRISHNAN	<i>T.T. Balakrishnan</i>						
	CHD.	R.RAMAMOORTHY							
	APPD.	K.RAMANAN							
	DATE	08.08.2011							
		MACHINE: PIPE HEATING DOUBLE BOGIE VULCAN			TYPE: 40T				
		TITLE: SHAPED BRICK			DRAWING No:				
					4M18D0529639				
					Sheet No:		No. of Sheets:		

CAUTION: THIS DRAWING IS OUR SOLE PROPERTY AND SHOULD NOT BE USED IN ANY FORM FOR ANY PURPOSE WITHOUT THE WRITTEN PERMISSION OF BHARAT HEAVY ELECTRICALS LIMITED

ALL DIMENSIONS ARE IN MM



		IS: 8				
<input checked="" type="checkbox"/>						
No. of Pieces	DESCRIPTION	MATERIAL	STANDARD	NET.WT.IN KGS.	DRAWING No.	ITEM No.
	REFERENCE:		ALTERATIONS:	DCN REF	DATE	SIGN.
SCALE	DRAWN/TCD	<i>R. Narayanan</i>				
1:5	CHECKED	R.RAMAMOORTHY				
	APPROVED	C.S.JAYASHEELAN				
	DATE	21.07.07				
	MACHINE: PIPE HEATING DOUBLE BOGIE FURNACE	TYPE: VULCAN-40T				
	TITLE:	SHAPED BRICK (SIDE WALL)		DRAWING No:		REV.
				4M18D0528028		
		Sheet No:		No. of Sheets:		

COMMERCIAL TERMS& CONDITIONS

ANNEXURE-III(m)

Bharat Heavy Electricals Limited, Tiruchirapalli – 620 014, Tamilnadu

MM: CP & SP

(Check List - to be filled and submitted along with Techno-Commercial Bid)

Sl. No.	BHEL Commercial Terms and Conditions for Indigenous Supplies	Vendor's Confirmation / Comments
1	Bid should be submitted in Two Parts . 1. Techno-commercial Bid (Part-I) and 2. Price Bid (Part-II) in a separate sealed cover and both the covers must be placed in a Third Cover and Sealed. Our Enquiry No., Enq. Date & Enq. Due date must be written on all Three covers	
2	Technical confirmation to BHEL's Specification shall be furnished. If needed additional sheets shall be used.	
3	Prices shall be quoted item wise only.	
4	Delivery INCO TERMS- Price quoted -FOR BHEL TRICHY, STORES or ex- WORKS Basis or, FOR WORKS (DESPATCHING STATION) In case of EX works / FOR WORKS basis, indicate the Despatching station. Prices shall be quoted on "FIRM PRICE" basis only.	
5	Validity of offer shall be for a minimum period of 120 days from the date of Tender opening	
6	Delivery period from the date of Letter of Intent / Purchase order	
7	Liquidated damages shall be 0.5% of the total order value per week or part thereof subject to a maximum of 10% of the total order value. For staggered delivery schedule, LD shall be 0.5% of the undelivered portion per week of the delay or part thereof subject to a maximum of 10% of the total order value. Any deviation from the above LD clause, loading will be applied to the extent to which it is not agreed by the bidder (at offered value).	
8	Payment term for supply portion: Payment term is 100% direct payment after 45 days from the date of receipt and acceptance of materials. Note: Only Direct Payment after goods receipt & acceptance will be accepted .Above payment term acceptance is essential for consideration of your offer Any deviation in the above payment term will attract loading as mentioned below. "Base rate of SBI (as applicable on the date of bid opening. Techno-commercial bid opening in case of two part bids) + 6% shall be considered for loading for the period of relaxation sought by bidders. Payment through Bank is not preferred. In case of Payment through Bank is opted by Supplier, BHEL prefers documents submission through bank with copy of LR and door delivery of Goods to Stores with Consignee copy attached. In this case Loading will be 3% on the offered value. Offers of indigenous Suppliers with payment terms as <u>LC/Advance Payment are liable for rejection.</u> Important Note: BHEL will consider the ranking after the loading is applied as referred vide Sl. No. 7& 8 above wherever deviations are observed.	
9	Following Risk Purchase clause shall be applicable: The purchaser at his option will be entitled to terminate the contract and to purchase elsewhere at the risk and cost of the seller either the whole of the goods or any part which the supplier has failed to deliver or dispatch within the time stipulated or if the same were not available, the best and the nearest available substitute therefore. The supplier shall be liable for any loss which the Purchaser may sustain by reason of such risk purchases.	
10	Erection / commissioning: (if applicable only) Erection / commissioning charges if any has been mentioned in the offer or else confirmation that Erection / commissioning shall be done at free of cost is available in the offer.	
11	The equipment shall be guaranteed as per tender condition from the date of receipt & acceptance./(commissioning (commissioning date ,if applicable as per tender condition) Normally No deviation permitted and the <u>deviated offers are liable for rejection.</u>	

COMMERCIAL TERMS& CONDITIONS

ANNEXURE-III(m)

12	Equipment will be inspected at vendor’s works prior to dispatch if applicable. However final inspection and acceptance of equipment will be after installation at BHEL, Trichy, Tamilnadu.	
13	The vendor shall provide necessary drawings, Test Certificates and Operating Maintenance Manuals etc., as called for in the Technical Specification, in the required number of copies at no extra cost.	
14	Any warranty replacement during warranty period shall be supplied free of charge on FOR BHEL, Trichy, Tamilnadu basis.	
15	Performance Bank Guarantee, if applicable as per tender condition. Normally No deviation permitted and the <u>deviated offers are liable for rejection.</u>	
OTHER DETAILS REQUIRED		
16	% of Excise Duty with cess	
17	% of TAX (VAT) (TNGST with FORM-17)	
18	% of TAX (VAT) without form	
19	% of TAX (CST) (CST with C-FORM)	
20	% of TAX (CST) without form	
21	Packing & Forwarding Charges (in % only)	
22	Freight& transit insurance charges, if any(in % only) Freight charges from Dispatching station to BHEL, Tiruchirapalli (Note: If the delivery terms is Ex Works the materials has to be sent through BHEL approved carrier only ,in this case the freight will be borne by BHEL)	
23	Approximate Net weight of the total consignment	
24	Approximate Gross weight of the total consignment	
25	Approximate Dimensions of the Consignment	
26	Name of the contact person	
27	Land Line Number	
28	Fax Number	
29	Mobile Number	
30	E-mail ID	
31	PAN No.	
32	CST No.	TIN No.

- a) It is confirmed that all the terms and conditions stipulated in the Enquiry have been fully understood by us and all clarifications & details have been obtained.
- b) Applicable % of ED, Sales Tax -CST or VAT, Service Tax), Freight, Insurance and Installation and Commissioning Charges etc., are indicated in offer.

Full postal Address:

Signature & Office Seal of the vendor

Note:-

Your specific acceptances to our Payment terms, LD & Risk Purchase (RP) Clause are essential for consideration of your offer. Otherwise your offer is liable for rejection.
No row shall be left blank. Please indicate NA, in case the item is “not applicable