



429-002/A

BHARAT HEAVY ELECTRICALS LIMITED

(A Government of India Undertaking)
HIGH PRESSURE BOILER PLANT
PURCHASE DEPARTMENT - FOSSIL BOILERS
THIRUCHIRAPALLI - 620014
TAMILNADU (INDIA)

Page
1/2
PHONE :2577331
GRAMS : BHARATELEC
FAX NO: 2520719
E-mail: srchandan@bheltry.co.in
Web:

Enquiry No	Enquiry Date	Due Date for Quotation
2661400899 - 46	16.12.2014	09.01.2015
Please quote Enquiry No, Date and due date in all correspondences. This is only a request for quotation and not an order		

Item	Description	Unit	Quantity	Delivery Quantity	Schedule Date
10	Diaphragm as per drawing No 4M10A6129478 Material :Neoprene rubber with nylon fabric VENDOR QUALIFYING CRITERIA Only those vendors who satisfy the following conditions will get qualified to participate in the tender: 1. Vendor should have minimum 2 years of experience in this field. 2. Previous PO details for supplying similar kind of items to BHEL and/or any-other Organisation should be submitted along with offer. Otherwise offer will be rejected. 3. Company profile details has to be provided along with offer. 4. BHEL reserves the right to visit the vendor's works for verifying the manufacturing facilities and any other credential furnished by the vendor. In case the information furnished with the offers found to be false /incorrect, the offer shall be rejected.	NO	40.000	40.00	16.02.15

General Note:
PL. SUBMIT YOUR OFFER ON F.O.R - BHEL, TRICHY (TAMILNADU) BASIS AND IN TWO PART (TECHNO-COMMERCIAL BID AND PRICE BID) IN A SEPARATE COVER.
IF THE OFFER IS SUBMITTED IN SIGNLE PART AND THE SAME WILL BE LIABLE FOR REJECTION.
ANNEXURE-III ENCLOSED HEREWITH MUST BE FILLED, SIGNED AND SUBMITTED ALONG WITH YOUR OFFER.
THIS TENDER IS HOSTED IN BHEL WEBSITE VIDE NIT REF. _____ DT. _____ AND ANY CORRIGENDUM MAY PL BE VIEWED IN THE BHEL WEBSITE (HTTP://WWW.BHEL.COM)
ENCLOSURE: ANNEXURE - III
,,,, DRAWING : 4M10A6129478

The offers should reach us 30 minutes before the time of opening of tenders.
The offers will be opened at 14.30 hrs on the due date of tender in the presence of tenderers who have submitted their offer and who may like to be present for the tender opening.Late and delayed offers are liable to be rejected.

Yours faithfully,
For **BHARAT HEAVY ELECTRICALS LIMITED**

D. CHANDRAMOHAN
Senior Manager / MM / RM
Purchase / CP & SP
BHEL, TIRUCHY - 620 014.

MANAGER / PURCHASE
(FOSSIL BOILERS)
Yours faithfully,

BHEL, TIRUCHY - 620 014.



BHARAT HEAVY ELECTRICALS LIMITED

Page
2/2

(A Government of India Undertaking)
HIGH PRESSURE BOILER PLANT
PURCHASE DEPARTMENT - FOSSIL BOILERS
THIRUCHIRAPALLI - 620014
TAMILNADU (INDIA)

PHONE :2577331
GRAMS : BHARATELEC
FAX NO: 2520719
E-mail: srchandran@bheltry.co.in
Web:

2661400899 / 16.12.2014

MSME VENDOR GIDE LINES WILL BE FOLLWDED FOR THIS TENDER

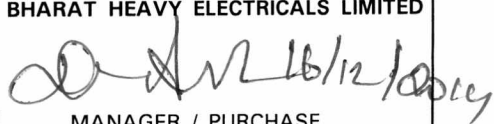
Enclosures:

"LD clause has to be confirmed without fail."

The offers should reach us 30 minutes before the time of opening of tenders.
The offers will be opened at 14.30 hrs on the due date of tender in the presence of
tenderers who have submitted their offer and who may like to be present for the tender
opening.Late and delayed offers are liable to be rejected.

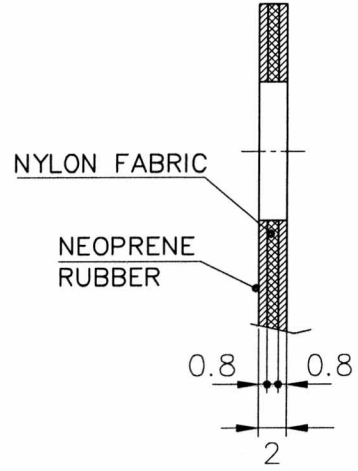
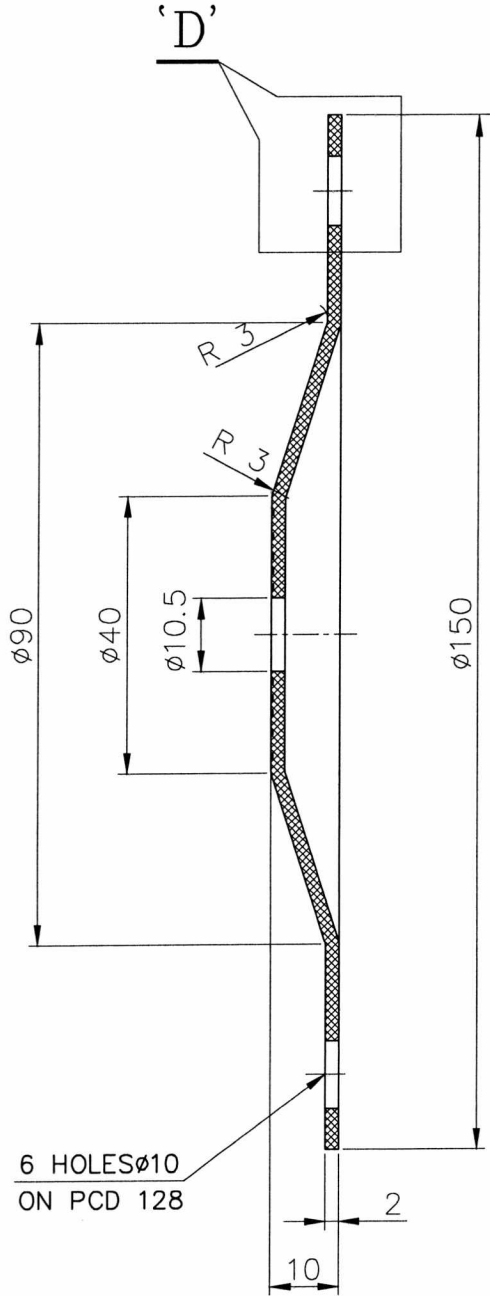
Yours faithfully,
For **BHARAT HEAVY ELECTRICALS LIMITED**

D. CHANDRAMOHAN
Senior Manager / MM / RM
Purchase / CP & SF
BHEL, TIRUCHY - 620 014.




MANAGER / PURCHASE
(FOSSIL BOILERS)
Yours faithfully,

CAUTION: THIS DRAWING IS OUR SOLE PROPERTY AND SHOULD NOT BE USED IN ANY FORM FOR ANY PURPOSE WITHOUT THE WRITTEN PERMISSION OF BHARAT HEAVY ELECTRICALS LIMITED TRICHIRAPPALLI - 620 014.

ALL DIMENSIONS ARE IN MM



DETAIL-'D'

		NEOPRENE RUBBER						
No. of Pieces	DESCRIPTION	MATERIAL	STANDARD	NET.WT. IN KGS.	DRAWING No.			ITEM No.
	REFERENCE: 28874161		ALTERATIONS:	DCN REF	DATE	SIGN.	INDEX	
SCALE	DRN.	P. ALBET ROSS						
	1:1	CHD.	R. RAMAMOORTHY					
2:1	APP.	C.S. JAYASHEELAN						
	DATE	28-07-12						
MACHINE: 20 TORCH PANAL PROSSING WELDING			TYPE: KKK					
 TITLE: DIAPHRAM (MASTER BEVELLER ASSY.)			DRAWING No:		REV.			
			4M10A6129478					
Sheet No:			No. of Sheets:					

COMMERCIAL TERMS& CONDITIONS

ANNEXURE-III(m)

Bharat Heavy Electricals Limited, Tiruchirapalli – 620 014, Tamilnadu

MM: CP & SP

(Check List - to be filled and submitted along with Techno-Commercial Bid)

Sl. No.	BHEL Commercial Terms and Conditions for Indigenous Supplies	Vendor's Confirmation / Comments
1	Bid should be submitted in Two Parts . 1. Techno-commercial Bid (Part-I) and 2. Price Bid (Part-II) in a separate sealed cover and both the covers must be placed in a Third Cover and Sealed. Our Enquiry No., Enq. Date & Enq. Due date must be written on all Three covers	
2	Technical confirmation to BHEL's Specification shall be furnished. If needed additional sheets shall be used.	
3	Prices shall be quoted item wise only.	
4	Delivery INCO TERMS- Price quoted -FOR BHEL TRICHY, STORES or ex- WORKS Basis or, FOR WORKS (DESPATCHING STATION) In case of EX works / FOR WORKS basis, indicate the Despatching station. Prices shall be quoted on "FIRM PRICE" basis only.	
5	Validity of offer shall be for a minimum period of 120 days from the date of Tender opening	
6	Delivery period from the date of Letter of Intent / Purchase order	
7	Liquidated damages shall be 0.5% of the total order value per week or part thereof subject to a maximum of 10% of the total order value. For staggered delivery schedule, LD shall be 0.5% of the undelivered portion per week of the delay or part thereof subject to a maximum of 10% of the total order value. Any deviation from the above LD clause, loading will be applied to the extent to which it is not agreed by the bidder (at offered value).	
8	Payment term for supply portion: Payment term is 100% direct payment after 45 days from the date of receipt and acceptance of materials. Note: Only Direct Payment after goods receipt & acceptance will be accepted .Above payment term acceptance is essential for consideration of your offer Any deviation in the above payment term will attract loading as mentioned below. "Base rate of SBI (as applicable on the date of bid opening. Techno-commercial bid opening in case of two part bids) + 6% shall be considered for loading for the period of relaxation sought by bidders. Payment through Bank is not preferred. In case of Payment through Bank is opted by Supplier, BHEL prefers documents submission through bank with copy of LR and door delivery of Goods to Stores with Consignee copy attached. In this case Loading will be 3% on the offered value. Offers of indigenous Suppliers with payment terms as <u>LC/Advance Payment are liable for rejection.</u> Important Note: BHEL will consider the ranking after the loading is applied as referred vide Sl. No. 7& 8 above wherever deviations are observed.	
9	Following Risk Purchase clause shall be applicable: The purchaser at his option will be entitled to terminate the contract and to purchase elsewhere at the risk and cost of the seller either the whole of the goods or any part which the supplier has failed to deliver or dispatch within the time stipulated or if the same were not available, the best and the nearest available substitute therefore. The supplier shall be liable for any loss which the Purchaser may sustain by reason of such risk purchases.	
10	Erection / commissioning: (if applicable only) Erection / commissioning charges if any has been mentioned in the offer or else confirmation that Erection / commissioning shall be done at free of cost is available in the offer.	
11	The equipment shall be guaranteed as per tender condition from the date of receipt & acceptance./(commissioning (commissioning date ,if applicable as per tender condition) Normally No deviation permitted and the <u>deviated offers are liable for rejection.</u>	

COMMERCIAL TERMS& CONDITIONS

ANNEXURE-III(m)

12	Equipment will be inspected at vendor's works prior to dispatch if applicable. However final inspection and acceptance of equipment will be after installation at BHEL, Trichy, Tamilnadu.	
13	The vendor shall provide necessary drawings, Test Certificates and Operating Maintenance Manuals etc., as called for in the Technical Specification, in the required number of copies at no extra cost.	
14	Any warranty replacement during warranty period shall be supplied free of charge on FOR BHEL, Trichy, Tamilnadu basis.	
15	Performance Bank Guarantee, if applicable as per tender condition. Normally No deviation permitted and the <u>deviated offers are liable for rejection.</u>	
OTHER DETAILS REQUIRED		
16	% of Excise Duty with cess	
17	% of TAX (VAT) (TNGST with FORM-17)	
18	% of TAX (VAT) without form	
19	% of TAX (CST) (CST with C-FORM)	
20	% of TAX (CST) without form	
21	Packing & Forwarding Charges (in % only)	
22	Freight& transit insurance charges, if any(in % only) Freight charges from Dispatching station to BHEL, Tiruchirapalli (Note: If the delivery terms is Ex Works the materials has to be sent through BHEL approved carrier only ,in this case the freight will be borne by BHEL)	
23	Approximate Net weight of the total consignment	
24	Approximate Gross weight of the total consignment	
25	Approximate Dimensions of the Consignment	
26	Name of the contact person	
27	Land Line Number	
28	Fax Number	
29	Mobile Number	
30	E-mail ID	
31	PAN No.	
32	CST No.	TIN No.

- a) It is confirmed that all the terms and conditions stipulated in the Enquiry have been fully understood by us and all clarifications & details have been obtained.
- b) Applicable % of ED, Sales Tax -CST or VAT, Service Tax), Freight, Insurance and Installation and Commissioning Charges etc., are indicated in offer.

Full postal Address:

Signature & Office Seal of the vendor

Note:-

Your specific acceptances to our Payment terms, LD & Risk Purchase (RP) Clause are essential for consideration of your offer. Otherwise your offer is liable for rejection.
No row shall be left blank. Please indicate NA, in case the item is "not applicable"