



BHARAT HEAVY ELECTRICALS LIMITED

(A Government of India Undertaking)

HIGH PRESSURE BOILER PLANT
PURCHASE DEPARTMENT - FOSSIL BOILERS
THIRUCHIRAPALLI - 620014
TAMILNADU (INDIA)

Page
1/3

PHONE :2577331
GRAMS : BHARATELEC
FAX NO: 2520719
E-mail: srchandran@bheltry.co.in
Web:

429-002/A

	Enquiry No	Enquiry Date	Due Date for Quotation
	2661500157 - 46	14.05.2015	09.06.2015
Please quote Enquiry No, Date and due date in all correspondences. This is only a request for quotation and not an order			

Item	Description	Unit	Quantity	Delivery Quantity	Schedule Date
10	Rubber liner as per Drg No: 4M03A1828844 Material shall be - Neoprene rubber Shore hardness- 70+/-2A GENERAL NOTE FOR ITEM NO 10 and 20: (1)THE GIVEN DRAWING IS FOR REFERENCE PURPOSE ONLY. AFTER PLACEMENT OF PURCHASE ORDER, WE SHALL PROVIDE ONE SAMPLE WHEEL ON WHICH THESE RUBBER LINERS WILL BE MOUNTED FOR MATING PURPOSE. THE SUPPLIER SHOULD MANUFACTURE THE RUBBER LINER SO AS TO MATE WITH THE PROVIDED WHEELS AND PERFECT SEATING TO BE ENSURED. (2)SUPPLIER SHALL VISIT BHEL TRICHY TO COLLECT THE MACHINE WHEEL. (3)AFTER PLACEMENT OF PURCHASE ORDER FOUR NUMBERS OF SAMPLES FOR EACH ITEM HAS TO BE SUPPLIED FOR BHEL ACCEPTANCE PREFERABLY WITHIN 4 WEEKS. AFTER ACCEPTANCE OF SAMPLE ONLY BALANCE QUANTITY SHALL BE MANUFACTURED AND SUPPLIED.ACCEPTENCE BY BHEL WILL BE GIVEN WITHIN 2 WEEKS. THIS PERIOD (4+2=6WEEKS) IS TO BE TAKEN INTO ACCOUNT WHILE QUOTING DELIVERY PERIOD BY THE SUPPLIER. (4)MATERIAL TEST CERTIFICATE FROM GOVT. AUTHORISED LABORATORY SHOULD BE PROVIDED ALONG WITH THE MATERIAL. VENDOR QUALIFYING CRITERIA: ONLY THOSE VENDORS WHO SATISFY THE FOLLOWING CONDITIONS WILL GET QUALIFIED TO PARTICIPATE IN THE TENDER: (1) VENDOR SHALL HAVE MINIMUM 3 YEARS OF EXPERIENCE IN THIS FIELD. BIDDER TO CONFIRM. (2) PREVIOUS PURCHASE ORDER DETAILS TO BHEL OR ANY INDUSTRIES FOR SUPPLY OF SIMILAR RUBBER ITEMS AS PER DRAWING SHOULD BE SUBMITTED ALONG WITH OFFER. OTHERWISE OFFER WILL BE REJECTED. BIDDER TO CONFIRM. (3) COMPANY PROFILE DETAILS HAS TO BE PROVIDED ALONG WITH OFFER. BIDDER	NO	100.000	100.00	10.07.15

The offers should reach us 30 minutes before the time of opening of tenders.
The offers will be opened at 14.30 hrs on the due date of tender in the presence of tenderers who have submitted their offer and who may like to be present for the tender opening.Late and delayed offers are liable to be rejected.

D. CHANDRAMOHAN
Senior Manager / MM / RM
Purchase / CP & SP

BHEL, TIRUCHY - 620 014.

Yours faithfully,
For **BHARAT HEAVY ELECTRICALS LIMITED**

MANAGER / PURCHASE
(FOSSIL BOILERS)
Yours faithfully,



BHARAT HEAVY ELECTRICALS LIMITED

(A Government of India Undertaking)
HIGH PRESSURE BOILER PLANT
PURCHASE DEPARTMENT - FOSSIL BOILERS
THIRUCHIRAPALLI - 620014
TAMILNADU (INDIA)

PHONE :2577331
GRAMS : BHARATELEC
FAX NO: 2520719
E-mail: srchandran@bheltry.co.in
Web:

2661500157 / 14.05.2015

TO CONFIRM.

(4) BHEL RESERVES THE RIGHT TO VISIT THE VENDOR'S WORKS FOR VERIFYING THE MANUFACTURING FACILITIES AND ANY OTHER CREDENTIAL FURNISHED BY THE VENDOR IN CASE THE INFORMATION FURNISHED WITH THE OFFERS FOUND TO BE FALSE / INCORRECT, THE OFFER SHALL BE REJECTED. BIDDER TO CONFIRM.

20

NO

100.000

100.00

10.07.15

Rubber liner as per Drg No: 4M03A2529819
Material shall be - Neoprene rubber
Shore hardness- 70 +/-2A

General Note:

1) Please submit your offer on F.O.R - BHEL, Trichy (Tamilnadu) basis and in two part (part-i: techno-commercial bid and part-ii: price bid) in a separate covers and both covers to be placed in an envelope which is super scribed with enquiry no, enquiry date and due date of tender opening.

2) If the offer is submitted in single part and the same will be liable for rejection.

3) All the Tenders may be addressed to the following address to
The Tender Opening Cell/MM
Room No-26, Building - 24, Ground Floor
Bharat Heavy Electrical Limited
Tiruchirappalli- 620014.

4) In case personal delivery of the offer, it shall be dropped into the respective box after duly entering the data in the system kept in room no.26.

5) Offers will be accepted received till 14.00 hrs on the due date. Therefore Vendorsshall ensure to submit the offers before thistime.

6) Vendors are requested to avoid submission of offers thro email / fax. In case of any unavoidable situation, offers shall be sent thro email to the following mail ID only "tender_cell@bheltry.co.in"

7) Request for extension of tender opening will not be considered if the requisition reach us less than 48 hours of tender opening

8) Annexure-iii TERMS AND CONDITIONS enclosed herewith must be filled, signed and submitted along with your offer.

9) This tender is hosted in BHEL website vide nit ref. _____ dt. _____ and any corrigendum may please be viewed in the BHELwebsite ([http:// www.bhel.com](http://www.bhel.com))

The offers should reach us 30 minutes before the time of opening of tenders. The offers will be opened at 14.30 hrs on the due date of tender in the presence of tenderers who have submitted their offer and who may like to be present for the tender opening. Late and delayed offers are liable to be rejected.

Yours faithfully,
For BHARAT HEAVY ELECTRICALS LIMITED

D. CHANDRAMOHAN
Senior Manager / MM / RM
Purchase / CP & SP

MANAGER / PURCHASE
(FOSSIL BOILERS)
Yours faithfully,



BHARAT HEAVY ELECTRICALS LIMITED

(A Government of India Undertaking)
HIGH PRESSURE BOILER PLANT
PURCHASE DEPARTMENT - FOSSIL BOILERS
THIRUCHIRAPALLI - 620014
TAMILNADU (INDIA)

Page
3/3

PHONE :2577331
GRAMS : BHARATELEC
FAX NO: 2520719
E-mail: srchandran@bheltry.co.in
Web:

2661500157 / 14.05.2015

- 10) Enclosure: annexure - iii& Drawings
- 12) MSME vendor guide lines will be followed for this tender

Enclosures:

"LD clause has to be confirmed without fail."

The offers should reach us 30 minutes before the time of opening of tenders.
The offers will be opened at 14.30 hrs on the due date of tender in the presence of tenderers who have submitted their offer and who may like to be present for the tender opening. Late and delayed offers are liable to be rejected.

Yours faithfully,
For BHARAT HEAVY ELECTRICALS LIMITED

D. CHANDRAMOHAN
Senior Manager / MM / RM
Purchase / CP & SP
BHEL, TIRUCHY - 620 014.

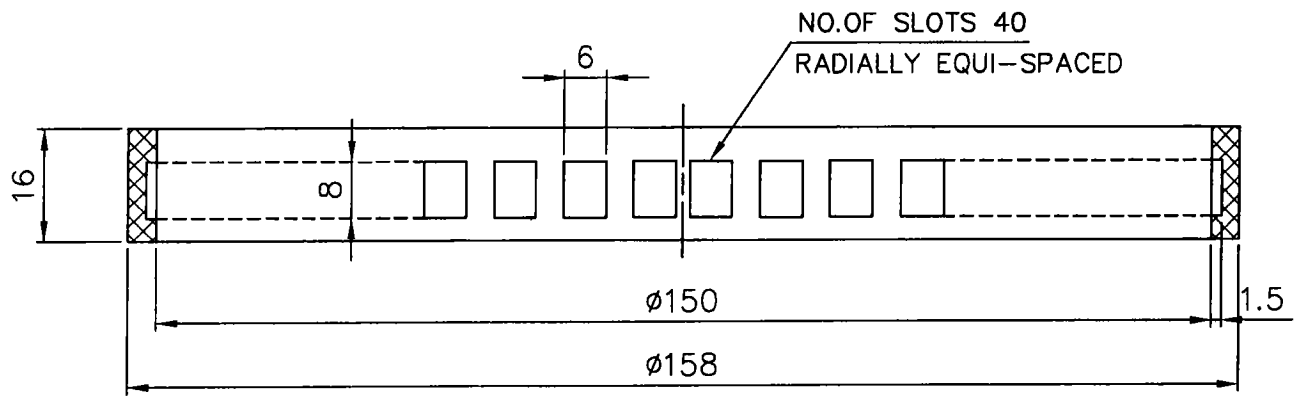
MANAGER / PURCHASE
(FOSSIL BOILERS)
Yours faithfully,

[Handwritten Signature]
14/05/2015

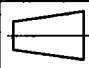


THIS DRAWING IS OUR SOLE PROPERTY AND SHOULD NOT BE USED IN ANY FORM FOR ANY PURPOSE WITHOUT THE WRITTEN PERMISSION OF BHARAT HEAVY ELECTRICALS LIMITED TRICHIRAPPALLI - 620 014.

CAUTION:

ALL DIMENSIONS ARE IN MM



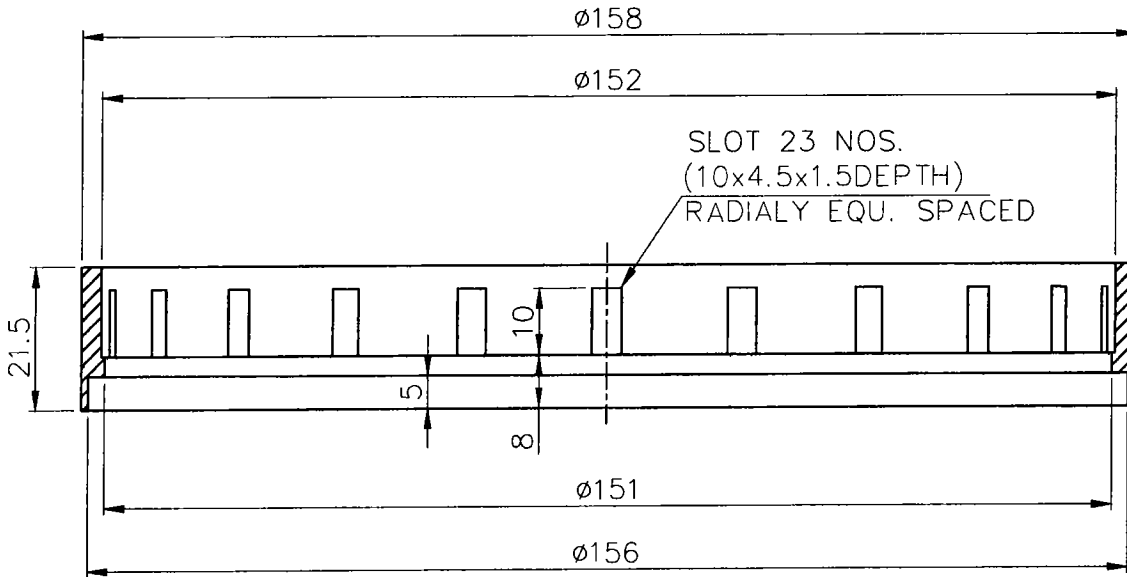
NOTE: -
SHORE HARDNESS 70 ^{±2} A

X		VITON								
No. of pieces	DESCRIPTION			MATERIAL	STANDARD	NET.WT.IN KGS.	DRAWING No.		ITEM No.	
		REFERENCE:			ALTERATIONS:		DCN REF	DATE	SIGN.	INDEX
SCALE	DRAWN	S.selvamanickam								
	CHECKED	R.RAMAMOORTHY								
1:1	APPROVED	C.S.JAYASHEELAN								
	DATE	03.02.11'								
MACHINE: PORTABLE BAND SAW/KOSOKU					TYPE: HRB 1140					
TITLE: RUBBER LINER					DRAWING No: 4M03A1828844					
					REV.					
Sheet No:					No. of Sheets:					

D. CHANDRAMOHAN
Senior Manager / MM / RM
Purchase / CP & SP
BHEL, TIRUCHY - 620 014

ALL DIMENSIONS ARE IN MM


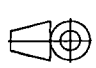
REV	DATE	ALTERED
		CHECKED
		APPROVED
ZONE		



NOTE:

1. SHORE HARDNESS 70^{±2} A

CAUTION: THE INFORMATION ON THIS DOCUMENT IS THE PROPERTY OF BHARAT HEAVY ELECTRICALS LIMITED. IT MUST NOT BE USED DIRECTLY OR INDIRECTLY IN ANY WAY DETRIMENTAL TO THE INTEREST OF THE COMPANY.

01	Ø158 x 21.5		VITON	
ITEM NO	DESCRIPTION	DRAWING NO	MATL CODE	UNIT WT
			MATL SPEC	QTY
EQPT: PORTABLE BAND SAW / MAKITA 2107F				
 Bharat Heavy Electricals Ltd HIGH PRESSURE BOILER PLANT TIRUCHIRAPALLI - 620014	DRN	C.PONNUSAMY	SIGNATURE <i>S. Ponnusamy</i>	DATE 9/9/14
	CHD	G.GOVINDARAJ	<i>S. Govindaraj</i>	10/9/14
	APPD	G.THIAGARAJAN	<i>S. Thiagarajan</i>	11/9/14
DEPT M&S	GRADE OF UNTOOL. DIM	SCALE	WEIGHT (Kg)	REF TO ASSY DWG NO
CODE 2597	 Ø/M/F IS: 2102	1:1		ITEM
TITLE RUBBER LINER				REF TO OLD DWG NO 4M03A1828844
CARD CODE U 01			DRAWING NO : 4-M-03A25-29819	REV 00

A4-SIZE

S. Chandramohan
S. CHANDRAMOHAN
 Senior Manager / MM / RM
 Purchase / CP & SP
 BHEL, TIRUCHY - 620 014.

COMMERCIAL TERMS& CONDITIONS

ANNEXURE-III(m)

Bharat Heavy Electricals Limited, Tiruchirapalli – 620 014, Tamilnadu

MM: CP & SP

(Check List - to be filled and submitted along with Techno-Commercial Bid)

Sl. No.	BHEL Commercial Terms and Conditions for Indigenous Supplies	Vendor's Confirmation / Comments
1	Bid should be submitted in Two Parts . 1. Techno-commercial Bid (Part-I) and 2. Price Bid (Part-II) in a separate sealed cover and both the covers must be placed in a Third Cover and Sealed. Our Enquiry No., Enq. Date & Enq. Due date must be written on all Three covers	
2	Technical confirmation to BHEL's Specification shall be furnished. If needed additional sheets shall be used.	
3	Prices shall be quoted item wise only.	
4	Delivery INCO TERMS- Price quoted -FOR BHEL TRICHY, STORES or ex- WORKS Basis or, FOR WORKS (DESPATCHING STATION) In case of EX works / FOR WORKS basis, indicate the Despatching station. Prices shall be quoted on "FIRM PRICE" basis only.	
5	Validity of offer shall be for a minimum period of 120 days from the date of Tender opening	
6	Delivery period from the date of Letter of Intent / Purchase order	
7	Liquidated damages shall be 0.5% of the total order value per week or part thereof subject to a maximum of 10% of the total order value. For staggered delivery schedule, LD shall be 0.5% of the undelivered portion per week of the delay or part thereof subject to a maximum of 10% of the total order value. Any deviation from the above LD clause, loading will be applied to the extent to which it is not agreed by the bidder (at offered value).	
8	Payment term for supply portion: Payment term is 100% direct payment after 45 days from the date of receipt and acceptance of materials. Note: Only Direct Payment after goods receipt & acceptance will be accepted .Above payment term acceptance is essential for consideration of your offer Any deviation in the above payment term will attract loading as mentioned below. "Base rate of SBI (as applicable on the date of bid opening. Techno-commercial bid opening in case of two part bids) + 6% shall be considered for loading for the period of relaxation sought by bidders. Payment through Bank is not preferred. In case of Payment through Bank is opted by Supplier, BHEL prefers documents submission through bank with copy of LR and door delivery of Goods to Stores with Consignee copy attached. In this case Loading will be 3% on the offered value. Offers of indigenous Suppliers with payment terms as <u>LC/Advance Payment are liable for rejection.</u> Important Note: BHEL will consider the ranking after the loading is applied as referred vide Sl. No. 7& 8 above wherever deviations are observed.	
9	Following Risk Purchase clause shall be applicable: The purchaser at his option will be entitled to terminate the contract and to purchase elsewhere at the risk and cost of the seller either the whole of the goods or any part which the supplier has failed to deliver or dispatch within the time stipulated or if the same were not available, the best and the nearest available substitute therefore. The supplier shall be liable for any loss which the Purchaser may sustain by reason of such risk purchases.	
10	Erection / commissioning: (if applicable only) Erection / commissioning charges if any has been mentioned in the offer or else confirmation that Erection / commissioning shall be done at free of cost is available in the offer.	
11	The equipment shall be guaranteed as per tender condition from the date of receipt & acceptance./(commissioning (commissioning date ,if applicable as per tender condition) Normally No deviation permitted and the <u>deviated offers are liable for rejection.</u>	

COMMERCIAL TERMS& CONDITIONS

ANNEXURE-III(m)

12	Equipment will be inspected at vendor's works prior to dispatch if applicable. However final inspection and acceptance of equipment will be after installation at BHEL, Trichy, Tamilnadu.	
13	The vendor shall provide necessary drawings, Test Certificates and Operating Maintenance Manuals etc., as called for in the Technical Specification, in the required number of copies at no extra cost.	
14	Any warranty replacement during warranty period shall be supplied free of charge on FOR BHEL, Trichy, Tamilnadu basis.	
15	Performance Bank Guarantee, if applicable as per tender condition. Normally No deviation permitted and the <u>deviated offers are liable for rejection.</u>	
OTHER DETAILS REQUIRED		
16	% of Excise Duty with cess	
17	% of TAX (VAT) (TNGST with FORM-17)	
18	% of TAX (VAT) without form	
19	% of TAX (CST) (CST with C-FORM)	
20	% of TAX (CST) without form	
21	Packing & Forwarding Charges (in % only)	
22	Freight& transit insurance charges, if any(in % only) Freight charges from Dispatching station to BHEL, Tiruchirapalli (Note: If the delivery terms is Ex Works the materials has to be sent through BHEL approved carrier only ,in this case the freight will be borne by BHEL)	
23	Approximate Net weight of the total consignment	
24	Approximate Gross weight of the total consignment	
25	Approximate Dimensions of the Consignment	
26	Name of the contact person	
27	Land Line Number	
28	Fax Number	
29	Mobile Number	
30	E-mail ID	
31	PAN No.	
32	CST No.	TIN No.

a) It is confirmed that all the terms and conditions stipulated in the Enquiry have been fully understood by us and all clarifications & details have been obtained.

b) Applicable % of ED, Sales Tax -CST or VAT, Service Tax), Freight, Insurance and Installation and Commissioning Charges etc., are indicated in offer.

Full postal Address:

Signature & Office Seal of the vendor

Note:-

Your specific acceptances to our Payment terms, LD & Risk Purchase (RP) Clause are essential for consideration of your offer. Otherwise your offer is liable for rejection.

No row shall be left blank. Please indicate NA, in case the item is "not applicable"