



BHARAT HEAVY ELECTRICALS LIMITED

(A Government of India Undertaking)
HIGH PRESSURE BOILER PLANT
PURCHASE DEPARTMENT - FOSSIL BOILERS
THIRUCHIRAPALLI - 620014
TAMILNADU (INDIA)

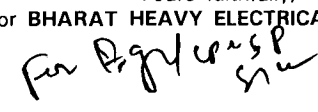
PHONE :2577331
GRAMS : BHARATELEC
FAX NO: 2520719
E-mail: srchandran@bheltry.co.in
Web:

429-002/A

	Enquiry No 2661500262 - 75	Enquiry Date 17.07.2015	Due Date for Quotation 10.08.2015
<p>Please quote Enquiry No, Date and due date in all correspondences. This is only a request for quotation and not an order. Bid should be submitted in two parts. 1.Techno-commercial bid (Part-I) and 2.Price bid(Part-II) in a separate sealed cover and both covers must be placed in a third cover and sealed. Our Enquiry No., Enq. date & Enq. Due date must be written on all three covers.</p>			

Item	Description	Unit	Quantity	Delivery Quantity	Schedule Date
10	LPG Heater-18KW,BRASS2.5INC 3E20B2515092 LPG Heater-18KW,BRASS FLANGE 2.5INCH BSP 18 KW heater consisting of 3 heating elements each of 6KW at 230 volts made out of minimum 10 mm diameter copper tube nickel plated fixed to 2.5 inches BSPP brass flange complete with brass M6 terminal and overall dimensions shall be as per BHEL Drawing No.3E20B2515092 Rev02. Common note for item 10 to 40: 1. Drawing approval to be obtained from BHEL's Engineer before starting of manufacturing of the LPG Heaters.	NO	16.000	16.00	21.08.15
20	LPG Heater-18KW,BRASS 3INCH 3E20B2515092 LPG Heater-18KW,BRASS FLANGE 3 INCH BSP 18 KW heater consisting of 3 heating elements each of 6KW at 230 volts made out of minimum 10 mm diameter copper tube nickel plated fixed to 3 inches BSPP brass flange complete with brass M6 terminal and overall dimensions shall be as per BHEL Drawing No.3E20B2515092 Rev02.	NO	12.000	12.00	21.08.15
30	LPG Heater-12KW,BRASS2.5INC 2E20B2505264 LPG Heater-12KW, BRASS FLANGE 2.5INCH BSP 12 KW heater consisting of 3 heating elements each of 4KW at 230 volts made out of minimum 10mm diameter copper tube nickel plated fixed to 2.5 inches BSP brass flange complete with brass M6 terminal and overall dimensions shall be as per BHEL Drawing No.2-E-20B25-05264 Rev02.	NO	12.000	12.00	21.08.15
40	LPG Heater-15KW,BRASS 3INC 3E20B2515092 LPG Heater-15KW, BRASS FLANGE 3 INCH BSP 15 KW heater consisting of 3 heating elements each of 5KW at 230 volts made out of minimum 8 mm diameter copper tube nickel plated fixed to 3	NO	20.000	20.00	21.08.15

The offers should reach us 30 minutes before the time of opening of tenders. The offers will be opened at 14.30 hrs on the due date of tender in the presence of tenderers who have submitted their offer and who may like to be present for the tender opening.Late and delayed offers are liable to be rejected.

Yours faithfully,
For **BHARAT HEAVY ELECTRICALS LIMITED**

MANAGER / PURCHASE
(FOSSIL BOILERS)
Yours faithfully,



BHARAT HEAVY ELECTRICALS LIMITED

(A Government of India Undertaking)
HIGH PRESSURE BOILER PLANT
PURCHASE DEPARTMENT - FOSSIL BOILERS
THIRUCHIRAPALLI - 620014
TAMILNADU (INDIA)

PHONE :2577331
GRAMS : BHARATELEC
FAX NO: 2520719
E-mail: srchandran@bheltry.co.in
Web:

Page
2/3

2661500262 / 17.07.2015

23505

inches BSPP brass flange complete with brass
M6 terminal and overall
dimensions shall be as per BHEL Drawing
No.3E20B2515092 Rev02.

General Note:

1.POINT-BY-POINT CONFIRMATION TO BHEL'S SPECIFICATIONS, COMMERCIAL TERMS & CONDITIONS ARE TO BE PROVIDED BY THE VENDORS IN "ANNEXURE A & B.

2. FILL UP ANNEXURE A. PLEASE ENSURE THAT ALL TERMS & CONDITIONS SHOULD BE INDICATED IN THE UN-PRICED BID TO BE ATTACHED WITH THE TECHNO-COMMERCIAL BID POSITIVELY.

3. VALIDITY OF THE OFFER SHOULD NOT BE LESS THAN 90 DAYS.

4. THE ORDER WILL BE PLACED ON INDIVIDUAL ITEMWISE L1 BASIS

5. THE BIDDER SHALL MEET PRE-QUALIFICATION CRITERIA

6. WHEREVER FOR SPLITTING OF ORDER AS PER ANNEXURE II CLAUSE 27,IF SPLITTED QUANTITY COMES OUT <1 ,THE SPLITTING OF ORDER WILL NOT BE FEASIBLE. (For MSE vendors)

LIST OF ATTACHMENTS:

1.Pre qualification criteria

2. ANNEXURE-II TERMS AND CONDITIONS OF THE ENQUIRY. (TWO PART-BID)

3. ANNEXURE-V- CA certificate format(as per MSMED act 2006) to be furnished , if applicable -Refer ANNEXURE II CLAUSE 27 (For MSE vendors)

4.ANNEXURE-A CHECK LIST FOR TECHNICAL & COMMERCIAL TERMS CONFIRMATION-TO BE FILLED BY THE SUPPLIER.

5. ANNEXURE-B MODEL PRICE BID FORMAT.

6. ANNEXURE-VI CHECK LIST TO BE SUBMITTED ALONG WITH OFFER

7. Drawing No. 3E20B2515092 for Item No.10,20,40. Drawing No. 2E20B2505264 for Item No.30


All the tenders may be addressed to the following address:

**The Tender Opening Cell / MM
Room No: 26, Building 24, Ground Floor
Bharat Heavy Electricals Limited
TIRUCHIRAPALLI 620014**

In case personal delivery of the offer, it shall be dropped into the respective box kept in Room No: 26, after duly entering the data in the system.

The offers should reach us 30 minutes before the time of opening of tenders.
The offers will be opened at 14.30 hrs on the due date of tender in the presence of tenderers who have submitted their offer and who may like to be present for the tender opening.Late and delayed offers are liable to be rejected.

Yours faithfully,
For **BHARAT HEAVY ELECTRICALS LIMITED**


MANAGER / PURCHASE
(FOSSIL BOILERS)
Yours faithfully,



BHARAT HEAVY ELECTRICALS LIMITED

Page
3/3

(A Government of India Undertaking)
HIGH PRESSURE BOILER PLANT
PURCHASE DEPARTMENT - FOSSIL BOILERS
THIRUCHIRAPALLI - 620014
TAMILNADU (INDIA)

PHONE :2577331
GRAMS : BHARATELEC
FAX NO: 2520719
E-mail: srchandran@bheltry.co.in
Web:

2661500262 / 17.07.2015

23505

Offers will be accepted only up to 14.00 Hrs on the due date. Therefore, vendors shall ensure to submit the offers well before this time. All due date extension requirements should be addressed to the respective Purchase mail IDs. All the due date extension requests from vendors will be considered only up to 48 hours before the due date and time.

Vendors are requested to avoid submission of offers through e mail / fax. In case of any unavoidable situation, offers shall be sent through e mail to the following mail ID only tender_cell@bheltry.co.in.

As tenders are being opened by Common Tender Opening Cell, offer covers should be sealed with tenderer's distinctive seal and super scribed with correct Tender No. item of supply and due date of opening.


The offers will be opened at 14.30 hrs on the due date of the tender in the presence of tenderers who have submitted their offer and who may like to be present for the tender opening. Late and delayed offers are liable to be rejected.

Enclosures:

"LD clause has to be confirmed without fail."

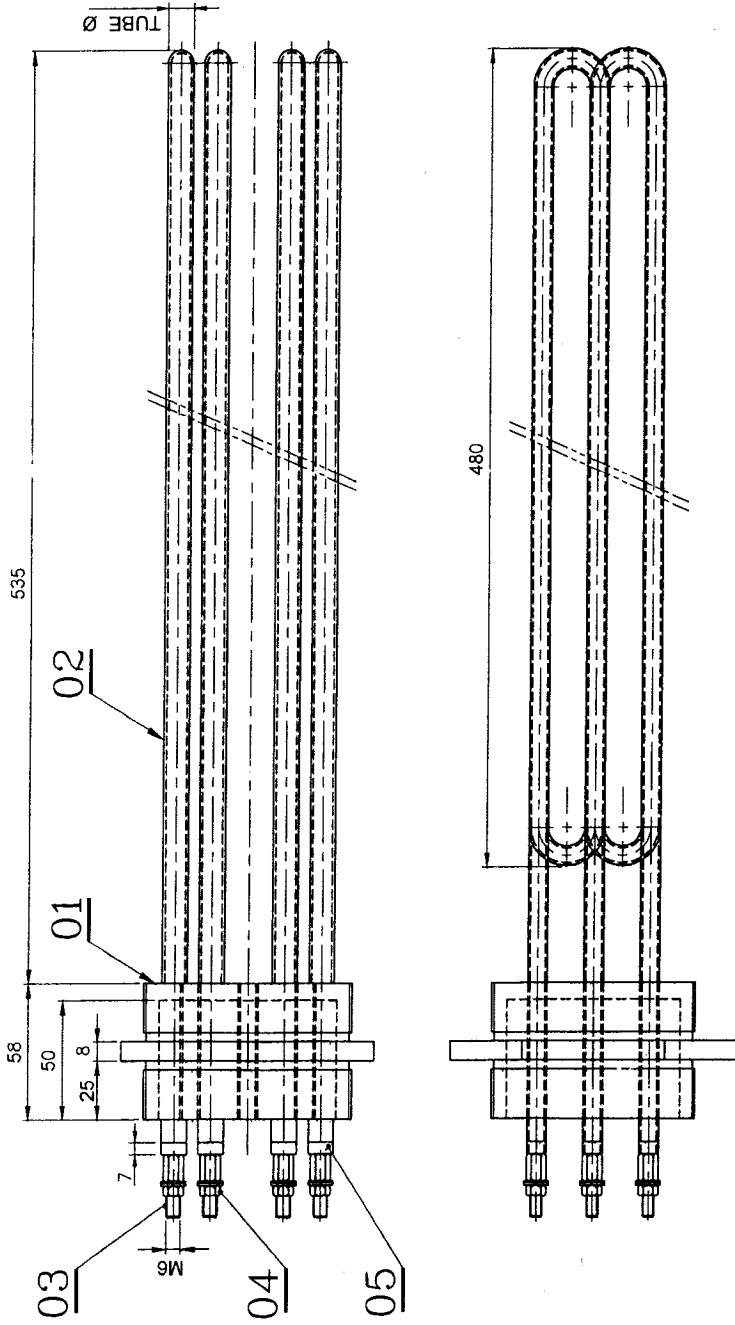
The offers should reach us 30 minutes before the time of opening of tenders. The offers will be opened at 14.30 hrs on the due date of tender in the presence of tenderers who have submitted their offer and who may like to be present for the tender opening. Late and delayed offers are liable to be rejected.

Yours faithfully,
For **BHARAT HEAVY ELECTRICALS LIMITED**


MANAGER / PURCHASE
(FOSSIL BOILERS)
Yours faithfully,

THIS DRAWING IS OUR SOLE PROPERTY AND SHOULD NOT BE USED IN ANY FORM FOR ANY PURPOSE WITHOUT THE WRITTEN PERMISSION OF BHARAT HEAVY ELECTRICALS LIMITED

ALL DIMENSIONS ARE IN MM



	LPG VAPOUR HEATER		THREAD SIZE	TUBE LENGTH	TUBE Ø	A/F	A/C
	BORE Ø		D	L			
04	500 Kg/hr.	12 KW	2 1/2" BSP	2160	Ø10.6	85	98
03	500 Kg/hr.	18 KW	3" BSP	2160	Ø10.6	106	122
02	1000 Kg/hr.	18 KW	2 1/2" BSP	2160	Ø10.6	85	98
01	1000 Kg/hr.	15 KW	3" BSP	2160	Ø8	106	122

NOTE:-
 01. ITEM NO.02: TUBE OUTSIDE NICKAL PLATED
 02. INSIDE ELEMENT MATERIAL "KANTHAL-D"

DESCRIPTION	MATERIAL	STANDARD	NET.WT.IN KGS.	DRAWING No.	REP No.
REFERENCE	DRG.No.	ALTERATIONS:	DCN REF	DATE	INDEX
SCALE	DRN	ITEM No.	ADDED	14.06.13	01
1:2	G.Govindaraj	A/F & A/C WERE A/C & A/F	PCD 62 WAS ADDED	26.12.14	02
CHD	R.Ramamurthy				
APPD	K.Ramanam				
DATE	22/03/13				
MACHINE: GAS PLANT		TYPE: LPG		REV.	
TITLE: HEATING ELEMENT (VAPOURISER)		DRAWING No.		REV.	
		3E20B251509202		Sheet No.	
				Noof Sheets	

05					
04					
03					
02					
01					
6	INSULATOR Ø10.5/5-8L	PORCELAIN			
12	HEX.LOCKNUT M6		IS:1363		
6	STUD M6x35L	45C8	IS:7283		
3	TUBE Ø10.6x11-2160L	CuZn.30	IS:4170		
1	FLANGE	PHOSPHOR BRONZE Gr.4	IS:28		

PRE - QUALIFICATION CRITERIA

The BIDDER has to compulsorily meet all the following requirements and supporting documents should be furnished with out which the offer will not be considered for technical evaluation.

S. No.	Requirements	Vendors Response
1	Only those vendors, who have Supplied LPG VAPORISER HEATER spare of minimum 12KW rating capacity type in the past three years are eligible. Supporting documents with PO copy to be submitted with the offer for the same.	Vendor to specify
2	The offer should carry 12 months warranty for the items.	Vendor to specify

TERMS AND CONDITIONS OF THE ENQUIRY (TWO PART BID)

1. The tender will be operated on two part bid basis i.e. (I).Techno-Commercial Bid & (II).Price Bid.
 2. Techno-Commercial Bid: Containing Technical details, specifications, commercial terms and conditions like percentage of Freight & Insurance, ED WITH CESS, Taxes ,delivery terms, delivery schedule, validity of offer, payment terms (except price details), acceptance for LD clause, RP clause etc. as per ANNEXURE-A shall be put in a cover (1) and super scribed as “Techno-Commercial Bid” for Enquiry No:Dt:Due Dt.:
 3. Price Bid: Containing the price details shall be put in a separate cover (2) and superscribed as “Price Bid” for Enquiry No:Dt.:Due Dt.: as per ANNEXURE –B (submitted in your company letter head)
 4. You are requested to put the above two envelopes (Techno-Commercial Bid & Price Bid) inside a separate larger sealed envelope and this envelope shall be super scribed as “Techno-Commercial Bid and Price Bid“ for Enquiry No:Dt.:Due Dt.:
- Your Quotations should be sent to:

The Tender Opening Cell/MM

Room No-26 , Building – 24 , Ground Floor

Bharat Heavy Electrical Limited

Tiruchirapalli- 620014 .

In case personal delivery of the offer , it shall be dropped into the respective box after duly entering the data in the system kept in room no 26 .

Vendors are requested to avoid submission of offers thro email / fax . In case of any unavoidable situation, offers shall be sent thro email to the following mail ID only “ **tender_cell@bheltry.co.in** “

As such Tenders are being opened by Common Tender opening Cell , offer covers should be sealed with tender's distinctive seal and super scribed with correct Tender NO, item of supply and due date of Opening .

5. Tender should not be addressed to any individual's name but only by designation.
6. Tenders should be free from CORRECTION AND ERASURES. Corrections if any must be attested; all amounts shall be indicated both in words as well as in figures. Where there is difference between amount quoted in words and figures, amount quoted in words shall only be considered.
7. Please submit point wise compliance to our specifications, terms and conditions. Otherwise it will be presumed that you are accepting BHEL's terms and conditions. Fill Up Annexure A. Please Ensure That All Terms & Conditions Should Be Indicated in The Un-Priced Bid To Be Attached With The Techno-Commercial Bid Positively (ANNEXURE-A)
8. Offer/s received after due date and time: **02:00 pm** will not be considered under any circumstances.
9. **Validity** of quoted rates should be maintained minimum for **90 days** from the date of Tender opening for ordering (Technical Bid). The quoted/Finalized rates shall be Firm till completion of the supplies.
10. The rates are to be quoted on **F.O.R. destpatching station basis (Inclusive of Packing, Forwarding). If any Freight & Transit Insurance charges which are payable to supplier is applicable, please indicate extra in %...** All the items should be supplied at our stores, BHEL / TRICHY-14 at your own cost. Offers with any other delivery conditions is not acceptable .

IMPORTANT NOTE: (I) Delivery condition like Ex-works / Ex-godown / Transportation of materials through transport carriers from your works up to the transport carrier's office at Tiruchy and taking delivery of goods by BHEL from such office of transport carriers is not acceptable to us)

11. Payment Terms (Indigenous)

Payment term is 100% direct payment after 45 days from the date of receipt and acceptance of materials.

Any deviation in the above payment term will attract loading as mentioned below.

“Base rate of SBI (as applicable on the date of bid opening. Techno-commercial bid opening in case of two part bids) + 6% shall be considered for loading for the period of relaxation sought by bidders.

Payment through Bank is not preferred. In case of Payment through Bank is opted by Supplier, BHEL prefers documents submission through bank with copy of LR and door delivery of Goods to Site/Stores with Consignee copy attached. In this case Loading will be 3% on the offered value.

Offers of indigenous Suppliers with payment terms as LC/Advance Payment are liable for rejection.

Payment term for supply portion(For import supplies)

BHEL Payment term is 100% payment on CAD basis after 45 days from the date of receipt of documents, specified in PO, at BHEL bank. Respective bank charges to respective account.

Any deviation in the above payment term will attract loading as mentioned below.

“Base rate of SBI (as applicable on the date of bid opening. Techno-commercial bid opening in case of two part bids) + 6% shall be considered for loading for the period of relaxation sought by bidders.

In the case of Usance LCs the loading will be considered @ 1.5% on the offered Value.

For LC at sight the loading will be considered @ 3.5% on the offered Value.

Normally CAD at sight and Confirmed LCs are liable for rejection.

Payment terms for Indian agent:

Indian Agency Commission ,if any, shall be clearly specified in the offer and the same will be paid in Indian Rupees against acceptance of the materials

12. Liquidated Damages / Penalty:-

The delivery of the goods specified in the purchase order should be made within the time prescribed. LD for delay in ‘Supply’ and/or ‘E&C’ will be applicable to the delays attributed to vendor. LD will be considered separately for ‘Delivery’ and ‘E&C’. Where the seller supplies or dispatches the goods, beyond the delivery period Liquidated damages shall be applicable 0.5% of the total order value per week or part thereof subject to a maximum of 10% of the total order value.

Material Despatched after Due date: Once the delivery due date is crossed, bills have to be clubbed till final despatch and forwarded for processing of payment as a single bunch. LD percentage will be calculated from Delivery due date to final despatch date.

The rate of LD for delayed E&C shall be @ 0.5% per week of delay of total PO value (Supply + E&C) in E&C subject to a maximum of 10% of total PO value (Supply + E&C).

For staggered delivery schedule, LD shall be 0.5% of the undelivered portion per week of the delay or part thereof subject to a maximum of 10% of the total order value.

Any deviation from the above LD clause, loading will be applied to the extent to which it is not agreed by the bidder (at offered value).

For the purpose of Imposing LD, the FOB delivery (B/L date) shall be considered

13. If Guarantee / Warranty period is applicable as per tender specification, No deviation permitted and deviated offers are liable for rejection.

14. IMPORTANT NOTE: BHEL WILL CONSIDER THE RANKING AFTER THE LOADING IS APPLIED AS REFERRED ABOVE WHEREVER DEVIATIONS ARE OBSERVED.

15. No revision of prices will be entertained at any circumstances after tenders are opened.

16. If any sales tax is payable as extra to the quoted price it should be specifically stated in quotations along with CST & VAT Number failing which the purchaser will not be liable for payment of sales tax. Our TIN 33243560005 dt.01.01.2007 & CST no 239383 DT, 11.06.1991

17. On the due date of tender opening, only the technical bids will be opened. Technical bids will be evaluated by us and clarifications required, if any, will be called for from the bidders on technical and commercial points. The price bids of techno-commercially suitable bidders will be opened at a later date with prior intimation to respective suitable bidders.

18. Ranking L-1, L-2 etc. shall be done generally on each individual items for the techno-commercially acceptable offers on landed cost to BHEL, Trichy basis and BHEL reserves the right to place order for individual items with different vendors. At special circumstance ranking shall be done on compatible basis which will be indicated through Enquiry special instruction General Notes.

19. BHEL reserves the right to increase or decrease the tender quantity and split up the tender quantity among more than one vendor at the lowest acceptable price to BHEL and place order accordingly in any proportion at our own discretion.

20. Lowest price received against BHEL tenders need not be the technically acceptable one and in that case BHEL reserves the right not to consider the same. The purchaser shall be under no obligation to accept the lowest or any other tender and shall be entitled to accept or reject any tender in part or full without assigning any reason whatsoever.

21. BHEL reserves the right to negotiate or refloat the tender opened, if L1 price is not the lowest acceptable price to BHEL due to inter-alia other reasons.

22. PACKING AND MARKING: The supplier shall arrange for securely protecting and packing the stores to avoid loss or damages during transit.

23. **RISK PURCHASE:** Alternatively the purchaser at his option will be entitled to terminate the contract and to purchase elsewhere at the risk and cost of the seller either the whole of the goods or any part which the previous supplier has failed to deliver or dispatch within the time stipulated as aforesaid or if the same were not available, the best and the nearest available substitutes therefore. The new supplier shall be liable for any loss, which the purchaser may sustain by reason of such risk purchases in addition to penalty at the rate mentioned in our LD clause.

24. **PREFERENTIAL DELIVERY:**(Applicable in the case of BHEL's Enquiry specifies Preferential Delivery in the Special Instructions) It should be noted if a contract is placed on a higher tendered as a result of this invitation to tender in preference to the lowest acceptable offer in consideration of the earlier delivery, the seller will be liable to pay to the purchaser the difference between the contract rate and that of the lowest acceptable tender on the basis of final price F.O.R destination, including all elements of freights, Sales tax, duties and other incidents, incidental in case of failure to complete supplies in terms of such contract within the date of delivery specified in the tender and incorporated in the contract, such difference amount in addition to penalty at the rate mentioned in our LD clause.

25. **CENVAT CREDIT:** If any Excise Duty is payable, the Chapter Head / Sub -head reference and the rate of the duty should be quoted. If the Tenderer is availing CENVAT credit for this input material, the effect of Performa credit should be passed on to the purchaser. Tenderer under "CENVAT" shall be preferred.

26. Any other conditions which might have been quoted by the seller and are in contravention to the terms prescribed in the order and which have not been specifically accepted by purchaser in written will not be applicable to the contract.

27. The bidder may also be a Micro and Small Enterprises (MSE) vendor registered as per MSE act. As per the public procurement policy notified by the Central government,

20% of the tendered quantity is earmarked for MSE suppliers in this tender.

Out of the 20% tendered quantity reserved for MSE suppliers, 4% shall be earmarked for procurement from MSE owned by SC / ST entrepreneurs.

In case MSE vendor participating in the tender quotes within the price band of L1 + 15%, they will be allowed to supply the portion of the requirement subject to acceptance of L1 price by MSE vendor. In case of more than one such MSE, the supply shall be shared proportionately.

"MSE suppliers can avail the intended benefits only if they submit along with the offer, attested copies of either EM II certificate having deemed validity (five years from the date of issue of acknowledgement in EM, II) or valid NSIC certificate or EM II certificate along with attested copy of a CA certificate (Format enclosed at Annexure -V where deemed validity of EM II certificate of five years has expired) applicable for the relevant financial year (latest audited). Date to be reckoned for determining the deemed validity will be the date of bid opening (Part I in case of two part bid). Non submission of such documents will lead to consideration of their bid at par with other bidders. No benefit shall be applicable for this enquiry if any deficiency in the above required documents are not submitted before price bid opening. **Documents should be notarized or attested by a Gazetted officer.** "

28. For verification of data submitted towards evaluation of bidder's capability, BHEL may decide to visit the bidder(s) works. Any fact found deviating from submitted data shall make the bidder liable to be disqualified.

29. In the event of more than one vendor becoming L1 for any of the item / items, the enquiry quantity for those item / items will be shared equally among all the L1 vendors.

30. The correspondence between the bidder and BHEL through email is considered as valid document Legally though not signed. It is treated as valid confirmations made on behalf of the respective company and comes under the legal ambit of the business transaction and hence binding on both the parties.

31. Equipment will be inspected and proved at vendor's works prior to dispatch, if applicable as per tender condition. However final inspection and acceptance of equipment will be after installation at BHEL, Trichy.

32. Erection / commissioning charges , if applicable as per tender condition will be clearly mentioned in the offer or else confirmation that Erection / commissioning shall be done at free of cost is available in the offer.

33. Price shall be quoted item wise.

34. Any warranty replacement during warranty period shall be supplied free of charge on FOR BHEL, TIRUCHIRAPALLI basis

35. The vendor shall provide necessary drawings, Test Certificates and Operating Maintenance Manuals etc., as called for in the Technical Specification, in the required number of copies at no extra cost.

36. Part Shipment or Transshipment is not permissible.(For import supplies)

37. In case of any short shipment in the main equipment / spares, where separate rates are not available in the contract, the customs duty levied on such supplies, shall be borne by the supplier / Indian agent.(For import supplies)

38. Indicate Nearest airport & sea port, Country of Origin .(For import supplies)

39. Vendors Meeting Our Pre-Qualification Criteria & Technical Specification Will Be Essential For Consideration Of Offer.

40. For The Vendor Willing To Participate In Tender Opening, The Representative Should Have Valid Company ID Proof & Authorization Letter From The Concerned Firm Who Has Submitted The Offer.

41. After Technical Scrutinisation Of The Offers, Price Bid Of Only Technically Qualified Vendors Will Be Opened With Prior Intimation.

42. If The Due Date Of Tender Opening Happens to be a Holiday, Those Tenders Will Be Opened On Next Working Days

43. For any clarification you can contact to pgavictor@bheltry.co.in , surajkumar@bheltry.co.in

44. This Tender Is Hosted Both In Bhel Website And In NIC, PSU Portal And Any Corrigendum May Pl Be Viewed in BHEL's website <http://www.bhel.com> (Tender Notification page)

Govt. Tender website <http://tenders.gov.in> (Public sector units > Bharat Heavy Electricals Limited Page)

45. If we receive offer from both Manufacturer and their Agent / Dealer or any other, the offer of Manufacturer only will be considered .

Certificate by Chartered Accountant on letter head

This is to Certify that M/S
 (hereinafter referred to as 'company') having its registered office at
 is registered under MSMED Act 2006, (Entrepreneur
 Memorandum No (Part—II) dtd.....
 Category:(Micro/Small). (Copy enclosed).

Further verified from the Books of Accounts that the investment of the company as per the
 latest audited financial year as per MSMED Act 2006 is as follows:

- 1. For Manufacturing Enterprises:** Investment in plant and machinery (i.e. original cost excluding land and building and the items specified by the Ministry of Small Scale Industries vide its notification No,S.0.1722(E) dated October 5, 2006 :
 Rs.....Lacs
- 2. For Service Enterprises:** Investment in equipment (original cost excluding land and building and furniture, fittings and other items not directly related to the service rendered or as may be notified under the MSMED Act, 2006:
 Rs... ..Lacs

(Strike off whichever is not applicable)

The above investment of RsLacs is within permissible limit of
 Rs.Lacs forMicro / Small **(Strike off which is not applicable)**
 Category under MSMED Act 2006.

Or

The company has been graduated from its original category (Micro/ Small) **(Strike off which is not applicable)** and the date of graduation of such enterprise from its original category is
 (dd/mm/yyyy) which is within the period of 3 years from the date of graduation of such enterprise from its original category as notified vide S.O. No. 3322(E) dated 01.11.2013 published in the gazette notification dated 04.11.2013 by Ministry of MSME.

Date:

(Signature)

Name -

Membership number –

Seal of chartered accountant

ANNEXURE –A (CHECK LIST FOR TECHNICAL & COMMERCIAL TERMS CONFIRMATIONS)**(a).TECHNICAL TERMS CONFIRMATION: AGAINST ALL ENQ SL NOS. (SUBMITTED IN COVER NO: 1)**

ENQ SL NO	BHEL SPECIFICATIONS	VENDOR'S SPECIFICATION	unit	Quantity	Consignment against each separately	weight each item	whether quoted/ not quoted
10							
20							
30							

(b).COMMERCIAL TERMS CONFIRMATION REQUIRED FROM SUPPLIERS (SUBMITTED IN COVER NO: 1)

SL NO	DESCRIPTION	BHEL REQUIREMENTS	Vendor to fill up
1	VALIDITY	MINIMUM 90 Days from Date of tender opening	
2	PRICE QUOTED	FOR BHEL TRICHY STORES INCLUSIVE OF PACKING & FORWARDING CHARGES.	
3	EXCISE DUTY WITH CESS (Whether inclusive (or) extra) Clearly mention the percentage	SUPPLIER TO QUOTE	
4	VAT % Clearly mention the percentage with& without form	SUPPLIER TO QUOTE	
5	CST % with& without c form Clearly mention the percentage	SUPPLIER TO QUOTE	
6	FREIGHT & INSURANCE CHARGES FOR DELIVERY AT BHEL / TRICHY STORES	SUPPLIER TO QUOTE IN % ONLY	
7	DEIVERY SCHEDULE FROM THE DATE OF PURCHASE ORDER / LETTER OF INTENT	SUPPLIER TO QUOTE IN NO. OF DAYS/ WEEKS	
8	PAYMENT TERMS	As per Clause 11 of Terms and Conditions of the Enquiry (Two Part Bid)	
9	LIQUIDATED DAMAGES CLAUSE	As per Clause 12 of Terms and Conditions of the Enquiry (Two Part Bid)	
10	RISK PURCHASE CLAUSE	As per Clause 23 of Terms and Conditions of the Enquiry (Two Part Bid)	
11	GUARANTEE / WARRANTY	AS PER TENDER CONDITION	
12	ERECTION / COMMISSIONING	AS PER TENDER CONDITION	
13.	Origin of dispatch	SUPPLIER TO QUOTE	
14.	Nearest airport & sea port (For import supplies)	SUPPLIER TO QUOTE	
15.	Country of Origin (For import supplies)	SUPPLIER TO QUOTE	
16	CONTACT PERSON DETAILS	NAME:	
		MOBILE NO:	
		LAND LINE NO:	
		EMAIL :	
		FAX:	

NOTE: a). -It is confirmed that all the terms and conditions stipulated in the Enquiry have been fully understood by us and all clarifications & details have been obtained.

b)Your specific acceptance to our Payment terms,LD & Risk Purchase Clause are essential for consideration of your offer.

c).No row shall be left blank. Please indicate NA, in case the item is "not applicable"

Full postal Address:

Signature & Office Seal of the vendor

ANNEXURE –B (MODEL PRICE BID FORMAT)

ENQ SL NO	BHEL SPECIFICATIONS	VENDOR'S SPECIFICATION	unit	quantity	Rate in Rs.	Value in Rs.
10						
20						
30						

PRICE BID FORMAT OF ALL QUOTED ITEMS, IF ANY ITEM YOUR ARE NOT QUOTED SIMPLY YOU SHOULD MENTION AS "NOT QUOTED" AGAINST THAT ENQ SL NO. (SUBMITTED IN SEPARATE COVER NO: 2)

Annexure-VI

CHECK LIST TO BE SUBMITTED ALONG WITH OFFER

SL NO	Documents submitted	Vendor's Confirmation Yes/No
01.	Offer Submitted in 2 part bid system i.e. (I).Techno-Commercial Bid & (II).Price Bid inside a separate larger sealed envelope and this envelope shall be super scribed as "Techno-Commercial Bid and Price Bid" for Enquiry No:Dt.:Due Dt.:	
02.	Annexure-A part-(a).TECHNICAL TERMS CONFIRMATION & part (b).COMMERCIAL TERMS CONFIRMATION to be SUBMITTED ALONGWITH IN COVER NO: 1	
03.	Annexure-B- Price Bid to be SUBMITTED IN SEPARATE COVER NO: 2	
04.	Pre-Qualification Criteria fulfilled& documents Submitted	
05.	Documents/technical catalogues /DRAWINGS, (wherever as applicable) submitted as per tender condition	
06.	point to point confirmation provided as per tender condition	