



BHARAT HEAVY ELECTRICALS LIMITED

(A Government of India Undertaking)
HIGH PRESSURE BOILER PLANT
PURCHASE DEPARTMENT - FOSSIL BOILERS
THIRUCHIRAPALLI - 620014
TAMILNADU (INDIA)

PHONE :2577331
GRAMS : BHARATELEC
FAX NO: 2520719
E-mail: srchandan@bheltry.co.in
Web:

429-002/A


	Enquiry No 2661500392 - 46	Enquiry Date 01.10.2015	Due Date for Quotation 26.10.2015
<p>Please quote Enquiry No, Date and due date in all correspondences. This is only a request for quotation and not an order. Bid should be submitted in two parts. 1.Techno-commercial bid (Part-I) and 2.Price bid(Part-II) in a separate sealed cover and both covers must be placed in a third cover and sealed. Our Enquiry No., Enq. date & Enq. Due date must be written on all three covers.</p>			

Item	Description	Unit	Quantity	Delivery Quantity	Schedule Date
10	140016010000	NO	50.000	50.00	25.11.15
<p>Common Note: Vendors who have not supplied the ordered items beyond the delivery schedule against our previous PO placed on them from 01.04.14 are liable for rejection / May not be considered for evaluation. Hence the vendors who are all regularly supplying to our POs shall quote for these items. STRAIGHT COUPLING WITH NUTS (AS A SET)-DIMENSIONS AS PER ANNEXURE "B" AND WORKING PRESSURE AND PORT DIMENTIONS AS PER ANNEXURE "A" TO THE FOLLOWING SIZES: TUPE OD: 6 MM, THREAD SIZE: M12 X 1.5.</p>					
20	140016020000	NO	50.000	50.00	25.11.15
<p>STRAIGHT COUPLING WITH NUTS (AS A SET)-DIMENSIONS AS PER ANNEXURE "B" AND WORKING PRESSURE AND PORT DIMENTIONS AS PER ANNEXURE "A" TO THE FOLLOWING SIZES: TUPE OD: 8 MM, THREAD SIZE: M14 X 1.5.</p>					
30	140016030000	NO	50.000	50.00	25.11.15
<p>STRAIGHT COUPLING WITH NUTS (AS A SET)-DIMENSIONS AS PER ANNEXURE "B" AND WORKING PRESSURE AND PORT DIMENTIONS AS PER ANNEXURE "A" TO THE FOLLOWING SIZES: TUPE OD: 10 MM, THREAD SIZE: M16 X 1.5.</p>					
40	140016040000	NO	50.000	50.00	25.11.15
<p>STRAIGHT COUPLING WITH NUTS (AS A SET)-DIMENSIONS AS PER ANNEXURE "B" AND WORKING PRESSURE AND PORT DIMENTIONS AS PER ANNEXURE "A" TO THE FOLLOWING SIZES: TUPE OD: 12 MM, THREAD SIZE: M18 X 1.5.</p>					
50	140016050000	NO	50.000	50.00	25.11.15
<p>STRAIGHT COUPLING WITH NUTS (AS A</p>					

The offers should reach us 30 minutes before the time of opening of tenders. The offers will be opened at 14.30 hrs on the due date of tender in the presence of tenderers who have submitted their offer and who may like to be present for the tender opening.Late and delayed offers are liable to be rejected.

ARUN PRASATH. N
Senior Engineer
Purchase (CP & SP) / MM / RM
BHEL, TIRUCHY - 620 014.

Yours faithfully,
For **BHARAT HEAVY ELECTRICALS LIMITED**


01/10/2015
MANAGER / PURCHASE
(FOSSIL BOILERS)
Yours faithfully,



BHARAT HEAVY ELECTRICALS LIMITED

(A Government of India Undertaking)
HIGH PRESSURE BOILER PLANT
PURCHASE DEPARTMENT - FOSSIL BOILERS
THIRUCHIRAPALLI - 620014
TAMILNADU (INDIA)

Page
2/6

PHONE :2577331
GRAMS : BHARATELEC
FAX NO: 2520719
E-mail: srchandran@bheltry.co.in
Web:

2661500392 / 01.10.2015

23505

NO	DESCRIPTION	UNIT	QTY	PRICE	DATE
60	SET)-DIMENSIONS AS PER ANNEXURE "B" AND WORKING PRESSURE AND PORT DIMENSIONS AS PER ANNEXURE "A" TO THE FOLLOWING SIZES: TUPE OD: 15 MM, THREAD SIZE: M22 X 1.5.	NO	50.000	50.00	25.11.15
70	STRAIGHT COUPLING WITHOUT NUT.(STRAIGHT FITTING)-DIMENSIONS AS PER ANNEXURE "B" AND WORKING PRESSURE AND PORT DIMENSIONS AS PER ANNEXURE "A" TO THE FOLLOWING SIZE: TUBE OD:6 MM, THREAD SIZE:M12 X 1.5	NO	50.000	50.00	25.11.15
80	STRAIGHT COUPLING WITHOUT NUT.(STRAIGHT FITTING)-DIMENSIONS AS PER ANNEXURE "B" AND WORKING PRESSURE AND PORT DIMENSIONS AS PER ANNEXURE "A" TO THE FOLLOWING SIZE: TUBE OD:8 MM, THREAD SIZE:M14 X 1.5	NO	50.000	50.00	25.11.15
90	STRAIGHT COUPLING WITHOUT NUT.(STRAIGHT FITTING)-DIMENSIONS AS PER ANNEXURE "B" AND WORKING PRESSURE AND PORT DIMENSIONS AS PER ANNEXURE "A" TO THE FOLLOWING SIZE: TUBE OD:10 MM, THREAD SIZE:M16 X 1.5	NO	50.000	50.00	25.11.15
100	STRAIGHT COUPLING WITHOUT NUT.(STRAIGHT FITTING)-DIMENSIONS AS PER ANNEXURE "B" AND WORKING PRESSURE AND PORT DIMENSIONS AS PER ANNEXURE "A" TO THE FOLLOWING SIZE: TUBE OD:12 MM, THREAD SIZE:M18 X 1.5	NO	50.000	50.00	25.11.15
110	STRAIGHT COUPLING WITHOUT NUT.(STRAIGHT FITTING)-DIMENSIONS AS PER ANNEXURE "B" AND WORKING PRESSURE AND PORT DIMENSIONS AS PER ANNEXURE "A" TO THE FOLLOWING SIZE: TUBE OD:15 MM, THREAD SIZE:M22 X 1.5	NO	50.000	50.00	25.11.15
	EQUAL ELBOW WITHOUT NUT-DIMENSIONS AS PER ANNECURE "C" AND WORKING PRESSURE AND PORT DIMENSIONS AS PER ANNECURE "A" TO THE FOLLOWING SIZE:				

The offers should reach us 30 minutes before the time of opening of tenders.
The offers will be opened at 14.30 hrs on the due date of tender in the presence of tenderers who have submitted their offer and who may like to be present for the tender opening.Late and delayed offers are liable to be rejected.

ARUN PRASATH, E.
Senior Engineer
Purchase (CP & SP) / MM / RM
BHEL, TIRUCHY - 620014

Yours faithfully,
For BHARAT HEAVY ELECTRICALS LIMITED

01/10/2015
MANAGER / PURCHASE
(FOSSIL BOILERS)
Yours faithfully,



BHARAT HEAVY ELECTRICALS LIMITED

(A Government of India Undertaking)
HIGH PRESSURE BOILER PLANT
PURCHASE DEPARTMENT - FOSSIL BOILERS
THIRUCHIRAPALLI - 620014
TAMILNADU (INDIA)

PHONE :2577331
GRAMS : BHARATELEC
FAX NO: 2520719
E-mail: srchandran@bheltry.co.in
Web:

2661500392 / 01.10.2015		23505			
120	TUBE OD:6 MM, THREAD SIZE: M12 X 1.5 140016220000	NO	50.000	50.00	25.11.15
130	EQUAL ELBOW WITHOUT NUT-DIMENSIONS AS PER ANNECURE "C" AND WORKING PRESSURE AND PORT DIMENSIONS AS PER ANNECURE "A" TO THE FOLLOWING SIZE: TUBE OD:8 MM, THREAD SIZE: M14 X 1.5 140016230000	NO	50.000	50.00	25.11.15
140	EQUAL ELBOW WITHOUT NUT-DIMENSIONS AS PER ANNECURE "C" AND WORKING PRESSURE AND PORT DIMENSIONS AS PER ANNECURE "A" TO THE FOLLOWING SIZE: TUBE OD:10 MM, THREAD SIZE: M16 X 1.5 140016240000	NO	50.000	50.00	25.11.15
150	EQUAL ELBOW WITHOUT NUT-DIMENSIONS AS PER ANNECURE "C" AND WORKING PRESSURE AND PORT DIMENSIONS AS PER ANNECURE "A" TO THE FOLLOWING SIZE: TUBE OD:12 MM, THREAD SIZE: M18 X 1.5 140016250000	NO	50.000	50.00	25.11.15
160	EQUAL ELBOW WITHOUT NUT-DIMENSIONS AS PER ANNECURE "C" AND WORKING PRESSURE AND PORT DIMENSIONS AS PER ANNECURE "A" TO THE FOLLOWING SIZE: TUBE OD:15 MM, THREAD SIZE: M22 X 1.5 140016310000	NO	50.000	50.00	25.11.15
170	MALE STUD COUPLING WITH NUT AS A SET-WORKING PRESSURE AND DIMENSIONS AS PER ANNEXURE "D" AND PORT DIMENSIONS AS PER ANNEXURE "A" TO FOLLOWING SIZE:(STUD THREAD:BSP THREAD (PARALLEL).STUD FACE FORM B, DIN 3852):TUBE OD: 6 MM, NUT: M12 X 1.5, STUD SIZE:G 1/8". 140016320000	NO	50.000	50.00	25.11.15
180	MALE STUD COUPLING WITH NUT AS A SET-WORKING PRESSURE AND DIMENSIONS AS PER ANNEXURE "D" AND PORT DIMENSIONS AS PER ANNEXURE "A" TO FOLLOWING SIZE:(STUD THREAD:BSP THREAD (PARALLEL).STUD FACE FORM B, DIN 3852):TUBE OD: 8 MM, NUT: M14 X 1.5, STUD SIZE:G 1/4". 140016330000	NO	50.000	50.00	25.11.15

The offers should reach us 30 minutes before the time of opening of tenders. The offers will be opened at 14.30 hrs on the due date of tender in the presence of tenderers who have submitted their offer and who may like to be present for the tender opening.Late and delayed offers are liable to be rejected.

ARUN PRASATH. N
Senior Engineer
Purchase (CP & SP) / MM / RM
Ph: 2577331-320999

Yours faithfully,
For BHARAT HEAVY ELECTRICALS LIMITED

01/10/2015
MANAGER / PURCHASE
(FOSSIL BOILERS)
Yours faithfully,



BHARAT HEAVY ELECTRICALS LIMITED

(A Government of India Undertaking)
HIGH PRESSURE BOILER PLANT
PURCHASE DEPARTMENT - FOSSIL BOILERS
THIRUCHIRAPALLI - 620014
TAMILNADU (INDIA)

Page
4/6

PHONE :2577331
GRAMS : BHARATELEC
FAX NO: 2520719
E-mail: srchandran@bheltry.co.in
Web:

2661500392 / 01.10.2015

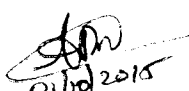
23505

190	140016340000	NO	50.000	50.00	25.11.15
<p>MALE STUD COUPLING WITH NUT AS A SET-WORKING PRESSURE AND DIMENSIONS AS PER ANNEXURE "D" AND PORT DIMENSIONS AS PER ANNEXURE "A" TO FOLLOWING SIZE:(STUD THREAD:BSP THREAD (PARALLEL).STUD FACE FORM B, DIN 3852):TUBE OD: 10 MM, NUT: M16 X 1.5, STUD SIZE:G 3/8".</p>					
200	140016350000	NO	10.000	10.00	25.11.15
<p>MALE STUD COUPLING WITH NUT AS A SET-WORKING PRESSURE AND DIMENSIONS AS PER ANNEXURE "D" AND PORT DIMENSIONS AS PER ANNEXURE "A" TO FOLLOWING SIZE:(STUD THREAD:BSP THREAD (PARALLEL).STUD FACE FORM B, DIN 3852):TUBE OD: 12 MM, NUT: M18 X 1.5, STUD SIZE:G 3/8".</p>					
210	140016360000	NO	10.000	10.00	25.11.15
<p>MALE STUD COUPLING WITH NUT AS A SET-WORKING PRESSURE AND DIMENSIONS AS PER ANNEXURE "D" AND PORT DIMENSIONS AS PER ANNEXURE "A" TO FOLLOWING SIZE:(STUD THREAD:BSP THREAD (PARALLEL).STUD FACE FORM B, DIN 3852):TUBE OD: 15 MM, NUT: M22 X 1.5, STUD SIZE:G 1/2.</p>					
220	140016370000	NO	8.000	8.00	25.11.15
<p>MALE STUD COUPLING WITH NUT AS A SET-WORKING PRESSURE AND DIMENSIONS AS PER ANNEXURE "D" AND PORT DIMENSIONS AS PER ANNEXURE "A" TO FOLLOWING SIZE:(STUD THREAD:BSP THREAD (PARALLEL).STUD FACE FORM B, DIN 3852):TUBE</p>					

The offers should reach us 30 minutes before the time of opening of tenders.
The offers will be opened at 14.30 hrs on the due date of tender in the presence of tenderers who have submitted their offer and who may like to be present for the tender opening.Late and delayed offers are liable to be rejected.

ARUN PRASATH. H
Senior Engineer
Purchase (CP & SP) / MM / RM
BHEL, THIRUCHY - 620 014.

Yours faithfully,
For BHARAT HEAVY ELECTRICALS LIMITED


21/10/2015
MANAGER / PURCHASE
(FOSSIL BOILERS)
Yours faithfully,



BHARAT HEAVY ELECTRICALS LIMITED

(A Government of India Undertaking)
HIGH PRESSURE BOILER PLANT
PURCHASE DEPARTMENT - FOSSIL BOILERS
THIRUCHIRAPALLI - 620014
TAMILNADU (INDIA)

Page
5/6
PHONE :2577331
GRAMS : BHARATELEC
FAX NO: 2520719
E-mail: srchandran@bheltry.co.in
Web:

2661500392 / 01.10.2015		23505			
230	140016380000	NO	8.000	8.00	25.11.15
OD: 22 MM, NUT: M30 X 2, STUD SIZE:G 3/4".					
MALE STUD COUPLING WITH NUT AS A SET-WORKING PRESSURE AND DIMENSIONS AS PER ANNEXURE "D" AND PORT DIMENSIONS AS PER ANNEXURE "A" TO FOLLOWING SIZE:(STUD THREAD:BSP THREAD (PARALLEL).STUD FACE FORM B, DIN 3852):TUBE					
240	140016390000	NO	6.000	6.00	25.11.15
OD: 28 MM, NUT: M36 X 2, STUD SIZE:G 1".					
MALE STUD COUPLING WITH NUT AS A SET-WORKING PRESSURE AND DIMENSIONS AS PER ANNEXURE "D" AND PORT DIMENSIONS AS PER ANNEXURE "A" TO FOLLOWING SIZE:(STUD THREAD:BSP THREAD (PARALLEL).STUD FACE FORM B, DIN 3852):TUBE					
250	140016400000	NO	6.000	6.00	25.11.15
OD: 35 MM, NUT: M45 X 2, STUD SIZE:G 1 1/4".					
MALE STUD COUPLING WITH NUT AS A SET-WORKING PRESSURE AND DIMENSIONS AS PER ANNEXURE "D" AND PORT DIMENSIONS AS PER ANNEXURE "A" TO FOLLOWING SIZE:(STUD THREAD:BSP THREAD (PARALLEL).STUD FACE FORM B, DIN 3852):TUBE					
OD: 42 MM, NUT: M52 X 2, STUD SIZE:G 1 1/2".					
General Note:					
Important note:					
Vendors who have not supplied the ordered items beyond the delivery schedule against our previous PO placed on them from 01.04.14 are liable for rejection / May not be considered for evaluation. Hence the vendors who are all regularly supplying to our POs shall quote for these items.					
YOU SHOULD CONFIRM LD CLAUSE, VALIDITY , PAYMENT TERMS AND DELIVERY PERIOD AS PER BHEL COMMERCIAL TERMS AND CONDITIONS. OTHERWISE YOUR OFFER WILL BE REJECTED.					
ENCLOSURES					
DRAWINGS: ANNEXURE - 'A', 'B', 'C' & 'D'					
The offers should reach us 30 minutes before the time of opening of tenders. The offers will be opened at 14.30 hrs on the due date of tender in the presence of tenderers who have submitted their offer and who may like to be present for the tender opening.Late and delayed offers are liable to be rejected.			Yours faithfully, For BHARAT HEAVY ELECTRICALS LIMITED		
ARUN PRASATH. N Senior Engineer Purchase (CP & SP) / MM / RM BHEL, TIRUCHY - 620 014			 01/10/2015 MANAGER / PURCHASE (FOSSIL BOILERS) Yours faithfully,		



BHARAT HEAVY ELECTRICALS LIMITED

(A Government of India Undertaking)
HIGH PRESSURE BOILER PLANT
PURCHASE DEPARTMENT - FOSSIL BOILERS
THIRUCHIRAPALLI - 620014
TAMILNADU (INDIA)

Page
6/6
PHONE :2577331
GRAMS : BHARATELEC
FAX NO: 2520719
E-mail: srchandran@bheltry.co.in
Web:

2661500392 / 01.10.2015

23505

ANNEXURE - 'E':- COMMERCIAL TERMS AND CONDITIONS MUST BE FILLED AND SUBMIT ALONG WITH TECHNO COMMERCIAL BID.

All the tenders may be addressed to the following address:

**The Tender Opening Cell / MM
Room No: 26, Building 24, Ground Floor
Bharat Heavy Electricals Limited
TIRUCHIRAPALLI 620014**

In case personal delivery of the offer, it shall be dropped into the respective box kept in Room No: 26, after duly entering the data in the system.

Offers will be accepted only up to 14.00 Hrs on the due date. Therefore, vendors shall ensure to submit the offers well before this time. All due date extension requirements should be addressed to the respective Purchase mail IDs. All the due date extension requests from vendors will be considered only up to 48 hours before the due date and time.

Vendors are requested to avoid submission of offers through e mail / fax. In case of any unavoidable situation, offers shall be sent through e mail to the following mail ID only tender_cell@bheltry.co.in.

As tenders are being opened by Common Tender Opening Cell, offer covers should be sealed with tenderer's distinctive seal and super scribed with correct Tender No. item of supply and due date of opening.

The offers will be opened at 14.30 hrs on the due date of the tender in the presence of tenderers who have submitted their offer and who may like to be present for the tender opening. Late and delayed offers are liable to be rejected.

The bidder along with its associate/ collaborators/ sub-contractors/ sub-vendors/ consultants/ service providers shall strictly adhere to BHEL fraud prevention policy displayed on BHEL website <http://www.bhel.com> and shall immediately bring to the notice of BHEL management about any fraud or suspected fraud as soon as it comes to their notice.

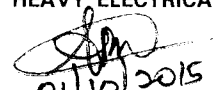
Enclosures:

"LD clause has to be confirmed without fail."

The offers should reach us 30 minutes before the time of opening of tenders. The offers will be opened at 14.30 hrs on the due date of tender in the presence of tenderers who have submitted their offer and who may like to be present for the tender opening. Late and delayed offers are liable to be rejected.

ARUN PRASATH, N
Senior Engineer
Purchase (CP & SP) / MM / RM
BHEL, TIRUCHY - 620 014.

Yours faithfully,
For **BHARAT HEAVY ELECTRICALS LIMITED**


01/10/2015
MANAGER / PURCHASE
(FOSSIL BOILERS)
Yours faithfully,

Rohranschlußmaße für Stutzen
 Stud connection dimensions
 Dimensions de raccordement pour implantation

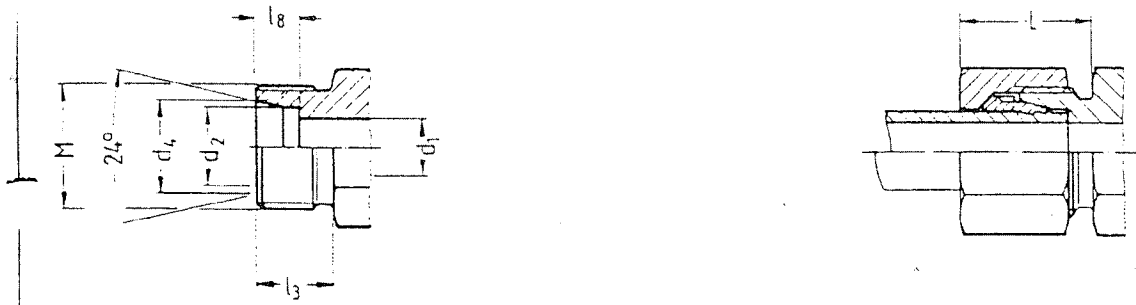
ANNEXURE - "A"



Gewindezapfen nach DIN 3853/ISO 8434
 Bohrungform W nach DIN 3861

Stud form to DIN 3853/ISO 8434 | IS : 8805 (Part-I) - 1978
 Port form W to DIN 3861

Implantation selon DIN 3853/ISO 8434
 Taraudage forme W selon DIN 3861



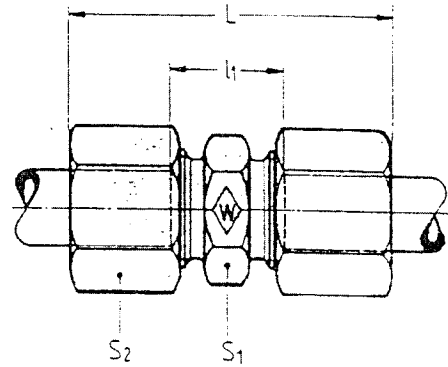
Reihe Series Série	Nominal working Pressure P (bar)	Rohr-AD Tube OD Tube Ø ext.	M	d ₁	d ₂ ^{B.11}	d ₃ ^{+0.1}	l ₃	L	l ₃ ^{+0.3}
500	6	M 12 x 1,5		4	6	8,1	10	18	7
	8	M 14 x 1,5		6	8	10,1	10	18	7
	10	M 16 x 1,5		8	10	12,3	11	19	7
400	12	M 18 x 1,5		10	12	14,3	11	19	7
	15	M 22 x 1,5		12	15	17,3	12	20	7
	18	M 26 x 1,5		15	18	20,3	12	21	7,5
250	22	M 30 x 2		19	22	24,3	14	23	7,5
	28	M 36 x 2		24	28	30,3	14	23	7,5
	35	M 45 x 2		30	35,25 ^{+0.15}	38	16	27	10,5
	42	M 52 x 2		36	42,25 ^{+0.15}	45	16	28	11

Gerade-Verschraubung
 Straight coupling
 Union double

ANNEXURE - "B"



P-GV



L - Approximate length with nut tightened.

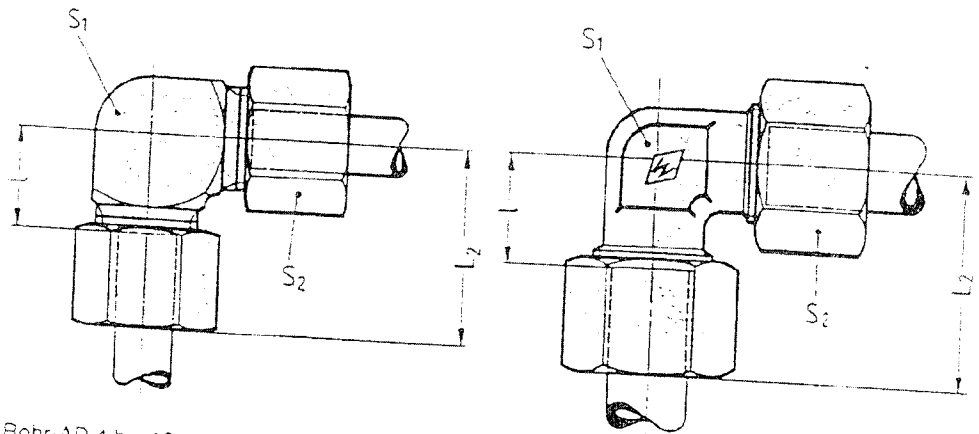
Reihe Series Serie	Nominal working Pressure PN (Bar)	Rohr-AD Tube OD Tube Ø ext.	Typ Type Designation	Best.-Nr. Reference Ref.	DIN 2353	kg per 100 St. kg per 100 pcs. kg par 100 p.	L	l.	S ₁	S ₂
500		6	P-GV 6 L	373362	EL 6	3,5	39	10	12	14
		8	P-GV 8 L	373363	EL 8	4,9	40	11	14	17
		10	P-GV 10 L	373364	EL 10	6,9	42	13	17	19
400		12	P-GV 12 L	373365	EL 12	8,5	43	14	19	22
		15	P-GV 15 L	373366	EL 15	13,8	46	16	24	27
		18	P-GV 18 L	373367	EL 18	19,5	48	16	27	32
250		22	P-GV 22 L	373368	EL 22	26,2	52	20	32	36
		28	P-GV 28 L	373369	EL 28	31,5	54	21	41	41
		35	P-GV 35 L	373370	EL 35	49,4	63	20	46	50
		42	P-GV 42 L	373371	EL 42	72,8	66	21	55	60

Winkel-Verschraubung
 Equal elbow
 Union équerre

ANNEXURE - "C"



P-WV



Rohr-AD 4 bis 12 mm = Profilmaterial
 Tube OD 4 to 12 mm = profile material
 Tube Ø ext. 4 à 12 mm = matériau profilé

L₂ ist Ungefährmaß bei angezogener Überwurmmutter
 L₂ = approximate length with nut tightened
 L₂ = longueur approximative, l'écrou étant bloqué

Reihe Series Série	PN	Rohr-AD Tube OD Tube Ø ext:	Typ Type Designation	Best.-Nr. Reference Réf.	DIN 2353	kg per 100 St. kg per 100 pcs. kg par 100 p.	L ₂	l	S ₁	S ₂
100		6	P-WV 6 L	373385	KL 6	4,9	27	12	12	14
		8	P-WV 8 L	373386	KL 8	7,6	29	14	14	17
		10	P-WV 10 L	373387	KL 10	9,6	30	15	17	19
400		12	P-WV 12 L	373388	KL 12	13,5	32	17	19	22
		15	P-WV 15 L	373389	KL 15	15,8	36	21	19	27
		18	P-WV 18 L	373390	KL 18	23,9	40	23,5	24	32
250		22	P-WV 22 L	373391	KL 22	31,7	44	27,5	27	36
		28	P-WV 28 L	373392	KL 28	42,0	47	30,5	36	41
		35	P-WV 35 L	373393	KL 35	75,9	56	34,5	41	50
	42	P-WV 42 L	373394	KL 42	107,8	63	40	50	60	

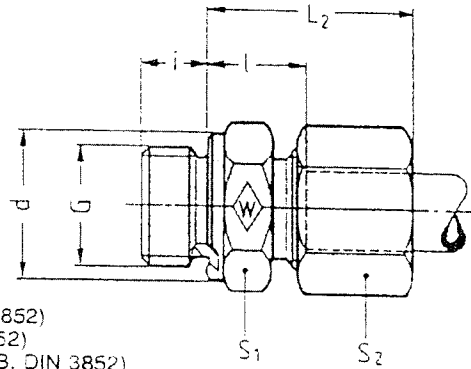
Gerade-Einschraubverschraubung
 Male stud coupling
 Union simple mâle

ANNEXURE - "D"



P-GEV R

Einschraub-
 gewinde: Whitworth-Rohrgewinde (zylindrisch), Dichtkante Form B
 Stud thread: BSP thread (parallel), stud face form B
 Filetage mâle: Whitworth (cylindrique), arête d'étanchéité form B



L₂ ist Ungefährmaß bei angezogener Überwurfmutter
 L₂ = approximate length with nut tightened
 L₂ = longueur approximative, l'écrou étanché bloqué
 *B (Dichtkante Form B, DIN 3852)
 *B (Stud face form B, DIN 3852)
 *B (Arête d'étanchéité forme B, DIN 3852)

DIN: ISO 228 (R ... DIN 259)

Reihe Series Serie	Working pressure PN (Bar)	Rohr-AD Tube OD Ø ext.	G	Typ Type Designation	Best.-Nr. Reference Réf.	DIN 2353*	kg per 100 St. kg per 100 pcs.		L ₂	l	i	d	S ₁	S ₂
							kg par 100 p.							
		6	G 1/8 A	P-GEV 6 LR	373056	DL 6	2,5	23	8,5	8	14	14	14	
		6	G 1/4 A	P-GEV 6 L/R 1/4	373057		4,1	24,5	10	12	18	19	14	
		8	G 1/4 A	P-GEV 8 LR	373058	DL 8	4,5	25	10	12	18	19	17	
		8	G 3/8 A	P-GEV 8 L/R 3/8	373059		6,0	26	11,5	12	22	22	17	
		10	G 1/4 A	P-GEV 10 LR	373060	DL 10	4,7	26	11	12	18	19	19	
		10	G 3/8 A	P-GEV 10 L/R 3/8	373061		6,0	27	12,5	12	22	22	19	
400		10	G 1/2 A	P-GEV 10 L/R 1/2	373062		7,6	27,5	13	14	26	27	19	
		12	G 1/4 A	P-GEV 12 L/R 1/4	373063		6,0	27	12	12	18	19	22	
		12	G 3/8 A	P-GEV 12 LR	373064	DL 12	6,3	27	12,5	12	22	22	22	
		12	G 1/2 A	P-GEV 12 L/R 1/2	373065		9,5	28	13	14	26	27	22	
		15	G 3/8 A	P-GEV 15 L/R 3/8	373066		9,3	28,5	13,5	12	22	24	27	
		15	G 1/2 A	P-GEV 15 LR	373067	DL 15	11,5	29	14	14	26	27	27	
		18	G 1/2 A	P-GEV 18 LR	373068	DL 18	12,9	31	14,5	14	26	27	32	
		22	G 3/4 A	P-GEV 22 LR	373069	DL 22	17,6	33	16,5	16	32	32	36	
250		28	G 1 A	P-GEV 28 LR	373070	DL 28	24,7	34	17,5	18	39	41	41	
		35	G 1 1/4 A	P-GEV 35 LR	373071	DL 35	40,7	39	17,5	20	49	50	50	
		42	G 1 1/2 A	P-GEV 42 LR	373072	DL 42	45,6	42	19	22	55	55	60	

M 203



BHARAT HEAVY ELECTRICALS LIMITED TIRUCHIRAPALLI
CAPITAL PURCHASE

Annexure-E

ACCEPTANCE OF COMMERCIAL TERMS AND CONDITIONS BY THE VENDORS.

(This should be essentially filled in and sent along with the techno-commercial offer without fail. If this check list is not filled and submitted along with techno-commercial offer (Part I) or if the vendor does not confirm acceptance to the terms and conditions proposed herein, BHEL reserves the right to reject such offers)

CHECK-LIST FOR INDIGENOUS VENDORS

DESCRIPTION
<p>The Bidders shall submit their offer in TWO INNER ENVELOPES as indicated below which shall be sealed in one outer envelope.</p> <ul style="list-style-type: none">❖ Envelope I: This sealed envelope should contain all the copies of technical bid together with un-priced commercial bid. This envelope should be clearly marked "Part I - Technical and commercial bid", indicating Enquiry No., Due Date and Address & Reference of the Bidder.❖ Envelope II: This sealed envelope should contain price details. This envelope should be clearly marked "Part II - Price bid", indicating Enquiry No., Due Date and Address & Reference of the Bidder. This part should contain the schedule of price particulars and must be co-related to the technical details provided in Part I. <p>All the two envelopes (Part I&II) shall be put in one cover, duly sealed, super scribing as "Part I and Part II of Enquiry No., due date of opening" and the address and reference of the Bidder. The offer received without the above guidelines, will not be considered for opening.</p> <p>The above offer should reach this office on or before the due date by 14.00 Hrs (IST). Late offers will not be considered.</p> <p>Tender should not be addressed to any Individual's name but only by designation to:</p> <ol style="list-style-type: none">1) Please submit your offer on F.O.R - BHEL, Trichy (Tamilnadu) basis and in two part (part-i: techno-commercial bid and part-ii: price bid) in a separate covers and both covers to be placed in an envelope which is super scribed with enquiry no, enquiry date and due date of tender opening.2) If the offer is submitted in single part and the same will be liable for rejection.3) All the Tenders may be addressed to the following address to The Tender Opening Cell/MM Room No-26, Building – 24, Ground Floor Bharat Heavy Electrical Limited Tiruchirappalli- 620014., TAMILNADU, INDIA4) In case personal delivery of the offer, it shall be dropped into the respective box after duly entering the data in the system kept in room no. 26.5) Offers will be accepted received till 14.00 hrs on the due date. Therefore Vendors shall ensure to submit the offers before this time.6) Vendors are requested to avoid submission of offers thro email / fax. In case of any unavoidable situation, offers shall be sent thro email to the following mail ID only "tender_cell@bheltry.co.in " <p>Tenders should be free from CORRECTIONS AND ERASURES. Corrections if any, must be attested. All amounts shall be indicated both in words as well as in figures. In case of any difference between amount quoted in words and figures, amount quoted in words shall prevail.</p> <p>Offers should be in ENGLISH and accompanied by detailed technical literature, catalogue and detailed dimensional drawings in ENGLISH or otherwise, the offers will not be considered.</p>
<p><u>OPENING OF TENDERS</u></p> <p>The Part I- Technical & commercial bid would be opened on the Tender opening date.</p> <p>Part-II, Price bid of technically suitable Bidders alone would be opened after complete evaluation of Part-I. Hence the Bidders are required to submit their best competitive price in the price bid in a sealed cover (Part-II).</p> <p>Date and time of Price Bid (Part-II) opening date shall be intimated to the technically and commercially acceptable bidders only. Clarifications if any required by BHEL for Technical evaluation would be sought from bidders before opening of Part II - Price Bid</p>

TAXES AND DUTIES :

All Taxes and Duties payable as extra to the quoted price should be specifically stated in offers along with CST & TIN No / Tariff No. etc., failing which the purchaser will not be liable for payment of such Taxes and Duties. Our TIN No. 33243560005, TNGST No. 3560005, CST. No. 239383 Dt. 11-06-1991 & BHEL ECC No. AAACB4146PXM012, Service Tax Reg No (STC)- AAACB4146PST006. Assessment circle Tiruverambur.

Cenvat credit & VAT credit (for Indian Bidders only): If any Excise Duty is payable, the chapter head / sub-head reference and the rate of the duty should be quoted. If the tenderer is availing **CENVAT** credit for his input materials, the effect of Proforma credit should be passed on to the purchaser

Income Tax applicable

Any service charges payable towards supervision of E&C, training, performance prove-out etc., will be released after deduction of Income Tax as per Indian Income Tax Act / as per the Govt. of India rules and TDS certificate will be issued by BHEL for such deductions. Applicable service tax on E&C charges will be payable extra. The liability of depositing the same to the Govt. will be of the supplier

SL. NO.	<u>BHEL COMMERCIAL TERMS AND CONDITIONS FOR INDIGENOUS SUPPLIES</u>	Vendor's Confirmation / Comments
1	<u>Bid should be submitted in Two Parts.</u> 1. Techno-commercial Bid (Part-I) and 2. Price Bid (Part-II) in a separate sealed cover and both the covers must be placed in a Third Cover and Sealed. Our Enquiry No., Enq. Date & Enq. Due date must be written on all Three covers	
2	<u>ARBITRATION:</u> All disputes or differences whatsoever which may arise at any time during execution of the Contract shall be mutually settled by BHEL and Contractor as per provision of the Contract. However, in the event such disputes cannot be settled mutually, such disputes shall be settled as per the Arbitration and reconciliation Act, 1996 of the Govt. of India and it's subsequent amendments. In case of disputes with the Central PSUs, the same shall be settled at Tiruchirappalli as per the Guidelines of the Govt. of India. However, during the period such disputes are settled either by mutual discussions between the parties or by legal means, Contractor shall continue to do the work as per terms & conditions of Contract.	
3	If offer is received from both OEM/Manufacturer and authorized dealers or Agent, then OEM/Manufacturer offer will only be considered and dealers or Agent offer will be ignored.	
4	Technical confirmation to BHEL's Specification shall be furnished. If needed additional sheets shall be used.	
5	Prices shall be quoted item wise only.	
6	Delivery INCO TERMS- Price quoted -FOR BHEL TRICHY, STORES or ex-WORKS Basis or, FOR WORKS (DESPATCHING STATION) In case of EX works / FOR WORKS basis, indicate the Despatching station. Prices shall be quoted on "FIRM PRICE" basis only.	
7	Validity of offer shall be for a minimum period of 120 days from the date of Tender opening	
8	Delivery period from the date of Letter of Intent / Purchase order	
9	Liquidated damages shall be 0.5% of the total order value per week or part thereof subject to a maximum of 10% of the total order value. For staggered delivery schedule, LD shall be 0.5% of the undelivered portion per week of the delay or part thereof subject to a maximum of 10% of the total order value.	

	<p>Any deviation from the above LD clause, loading will be applied to the extent to which it is not agreed by the bidder (at offered value).</p>	
10	<p><u>Payment term for supply portion:</u></p> <p>Payment term is 100% direct payment after 45 days from the date of receipt and acceptance of materials. Note: Only Direct Payment after goods receipt & acceptance will be accepted .Above payment term acceptance is essential for consideration of your offer</p> <p>Any deviation in the above payment term will attract loading as mentioned below. “Base rate of SBI (as applicable on the date of bid opening. Techno-commercial bid opening in case of two part bids) + 6% shall be considered for loading for the period of relaxation sought by bidders.</p> <p>Payment through Bank is not preferred. In case of Payment through Bank is opted by Supplier, BHEL prefers documents submission through bank with copy of LR and door delivery of Goods to Stores with Consignee copy attached. In this case Loading will be 3% on the offered value. Offers of indigenous Suppliers with payment terms as <u>LC/Advance Payment are liable for rejection.</u></p> <p><u>Important Note:</u> BHEL will consider the ranking after the loading is applied as referred vide Sl. No. 7& 8 above wherever deviations are observed.</p>	
11	<p><u>Following Risk Purchase clause shall be applicable:</u></p> <p>The purchaser at his option will be entitled to terminate the contract and to purchase elsewhere at the risk and cost of the seller either the whole of the goods or any part which the supplier has failed to deliver or dispatch within the time stipulated or if the same were not available, the best and the nearest available substitute therefore. The supplier shall be liable for any loss which the Purchaser may sustain by reason of such risk purchases.</p>	
12	<p><u>Erection / commissioning: (if applicable only)</u></p> <p>Erection / commissioning charges if any has been mentioned in the offer or else confirmation that Erection / commissioning shall be done at free of cost is available in the offer.</p>	
13	<p>The equipment shall be guaranteed as per tender condition from the date of receipt & acceptance /(commissioning date ,if applicable as per tender condition). Normally No deviation permitted and the <u>deviated offers are liable for rejection.</u></p>	
14	<p>Equipment will be inspected at vendor’s works prior to dispatch if applicable. However final inspection and acceptance of equipment will be after installation at BHEL, Trichy, Tamilnadu.</p>	
15	<p>The vendor shall provide necessary drawings, Test Certificates and Operating Maintenance Manuals etc., as called for in the Technical Specification, in the required number of copies at no extra cost.</p>	
16	<p>Any warranty replacement during warranty period shall be supplied free of charge on FOR BHEL, Trichy, Tamilnadu basis.</p>	

17	<p>Performance Bank Guarantee (PBG): The Bidder, in the event of an order, should furnish a Bank Guarantee from an Indian Bank approved by BHEL, at no extra cost in a format prescribed by BHEL, along with the order, for an amount equivalent to 10% (Ten percent) of the value of the contract. The PBG shall be valid for a period of 18 months from the date of dispatch or 12 months from the date of receipt / acceptance / commissioning of the equipment at BHEL, Trichy whichever is more, with a claim period of two months</p>	
----	---	--

<u>OTHER DETAILS REQUIRED</u>		
18	% of Excise Duty with cess	
19	% of TAX (VAT) (TNGST with FORM-17)	
20	% of TAX (VAT) without form	
21	% of TAX (CST) (CST with C-FORM)	
22	% of TAX (CST) without form	
23	Packing & Forwarding Charges (in % only)	
24	<p>Freight& transit insurance charges, if any((in % only) Freight charges from Dispatching station to BHEL, Tiruchirapalli (Note: If the delivery terms is Ex Works the materials has to be sent through BHEL approved carrier only ,in this case the freight will be borne by BHEL)</p>	
25	Approximate Net weight of the total consignment	
26	Approximate Gross weight of the total consignment	
27	Approximate Dimensions of the Consignment	
28	Name of the contact person	
29	Land Line Number	
30	Fax Number	
31	Mobile Number	
32	E-mail ID	
33	PAN No.	
34	CST No.	TIN No.

- a) It is confirmed that all the terms and conditions stipulated in the Enquiry have been fully understood by us and all clarifications & details have been obtained.
- b) Applicable % of ED, Sales Tax -CST or VAT, Service Tax), Freight, Insurance and Installation and Commissioning Charges etc., are indicated in offer.

Full postal Address:

Signature & Office Seal of the vendor

Note:-

Your specific acceptances to our Payment terms, LD & Risk Purchase (RP) Clause are essential for consideration of your offer. Otherwise your offer is liable for rejection.

No row shall be left blank. Please indicate NA, in case the item is “not applicable

MODEL PRICE BID FORMAT FOR INDIAN BIDDERS

Enquiry No. & Date:

Bidder's Offer No. & Date:

Sl No	Description of item	Unit (SET /No)	QTY	Rate /Qty in Rs. (excluding of all taxes)	VAT/CST in % (TNGST with FORM-17 or CST with C-FORM)	ED in %	Service Tax in %	Total Value in Rs. (inclusive of all taxes)
	Supply portion							
	Packing & Forwarding charges (if any) in percentage (or) Lumpsum							
	FOR Dispatching station value in Rs.							
	Percentage of Freight & transit insurance charges, if any (Lumpsum or %) Freight & Insurance charges from Dispatching station to BHEL, Tiruchirappalli (Note: If the delivery terms is Ex Works the materials has to be sent through BHEL approved carrier only, in this case the freight & Insurane will be borne by BHEL)							
	Approximate Net weight of the total consignment							
	Approximate Gross weight of the total consignment							
	Approximate Dimensions of the Consignment							

Signature & Seal of Vendor

The price bid should be submitted only as per the above format. No row shall be left blank. Please indicate NA, in case the item is "not applicable"