



BHARAT HEAVY ELECTRICALS LIMITED

(A Government of India Undertaking)
HIGH PRESSURE BOILER PLANT
PURCHASE DEPARTMENT - FOSSIL BOILERS
THIRUCHIRAPALLI - 620014
TAMILNADU (INDIA)

PHONE :2577331
GRAMS : BHARATELEC
FAX NO: 2520719
E-mail: srchandran@bheltry.co.in
Web:

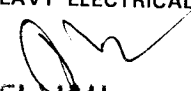
429-002/A

	Enquiry No 2661500430 - 55	Enquiry Date 16.10.2015	Due Date for Quotation 13.11.2015
<p>Please quote Enquiry No, Date and due date in all correspondences. This is only a request for quotation and not an order. Bid should be submitted in two parts. 1.Techno-commercial bid (Part-I) and 2.Price bid(Part-II) in a separate sealed cover and both covers must be placed in a third cover and sealed. Our Enquiry No., Enq. date & Enq. Due date must be written on all three covers.</p>			

Item	Description	Unit	Quantity	Delivery Quantity	Schedule Date
10	LT WHEEL AS PER DRG.3-M-02A33-15506	NO	2.000	2.00	25.01.16
20	LT WHEEL AS PER DRG.3-M-02A33-15505	NO	2.000	2.00	25.01.16
30	LT WHEEL AS PER DRG.3-M-02G24-15504	NO	2.000	2.00	25.01.16
40	LT WHEEL AS PER DRG.3-M-02A23-15307-01	NO	4.000	4.00	25.01.16
50	LT WHEEL AS PER DRG.3-M-02A40-15299-02	NO	2.000	2.00	25.01.16
60	DRIVE WHEEL AS PER BHEL DRG.3-M-02A-39-15511.	NO	2.000	2.00	25.01.16
70	DRIVE WHEEL AS PER BHEL DRG.3-M-02A-42-15512. NOTE FOR ALL ITEMS: 1. For all the wheels supplier shall provide the certificates from NABL approved lab for material compositions and hardness values. The hardness values shall be noted down after heat treatment only. 2. One test piece [specimen] for every Heat Treatment Cycle shall be heat treated along with the wheels, after heat treatment at different depths, the hardness shall be noted and certificates for hardness, material composition shall be produced during supply of wheels. VENDOR QUALIFYING CRITERIA FOR ALL ITEMS: (1) Only those vendors with minimum 3 years experience in supplying wheels for cranes are eligible to participate in this tender. (2) Minimum [3 nos.] three Po copies shall be submitted as proof for experience in crane wheel supply. (3) Company profile details has to be provided along with offer. (4) BHEL reserves the right to visit the vendor's	NO	2.000	2.00	25.01.16

The offers should reach us 30 minutes before the time of opening of tenders. The offers will be opened at 14.30 hrs on the due date of tender in the presence of tenderers who have submitted their offer and who may like to be present for the tender opening.Late and delayed offers are liable to be rejected.

Yours faithfully,
For BHARAT HEAVY ELECTRICALS LIMITED


V. CHELLIAH
MANAGER / PURCHASE
(FOSSIL BOILERS)
M/M / R/W / C/B & S/P
Yours faithfully,
BHEL TRICHY 620 014



BHARAT HEAVY ELECTRICALS LIMITED

(A Government of India Undertaking)
HIGH PRESSURE BOILER PLANT
PURCHASE DEPARTMENT - FOSSIL BOILERS
THIRUCHIRAPALLI - 620014
TAMILNADU (INDIA)

PHONE :2577331
GRAMS : BHARATELEC
FAX NO: 2520719
E-mail: srchandran@bheltry.co.in
Web:

2661500430 / 16.10.2015

23505

works for verifying the manufacturing facilities and any other credential furnished by the vendor. In case the information furnished with the offers found to be false / incorrect, the offer shall be rejected. (5) Vendors who have not supplied the ordered items beyond the delivery schedule against our previous PO placed on them from 01.04.2014 are liable for rejection / May not be considered for evaluation. Hence only the vendors who are all regularly supplying to our POs shall quote for these items.

General Note:

GENERAL NOTE:PLEASE SUBMIT YOUR OFFER IN "TWO PART BID SYSTEM" AS PER THE ANNEXURES ENCLOSED.
ENCLOSURES:ANNEXURE II,III,IV,V,VI,VII

All the tenders may be addressed to the following address:

**The Tender Opening Cell / MM
Room No: 26, Building 24, Ground Floor
Bharat Heavy Electricals Limited
TIRUCHIRAPALLI 620014**

In case personal delivery of the offer, it shall be dropped into the respective box kept in Room No: 26, after duly entering the data in the system.

Offers will be accepted only up to 14.00 Hrs on the due date. Therefore, vendors shall ensure to submit the offers well before this time. All due date extension requirements should be addressed to the respective Purchase mail IDs. All the due date extension requests from vendors will be considered only up to 48 hours before the due date and time.

Vendors are requested to avoid submission of offers through e mail / fax. In case of any unavoidable situation, offers shall be sent through e mail to the following mail ID only tender_cell@bheltry.co.in.


As tenders are being opened by Common Tender Opening Cell, offer covers should be sealed with tenderer's distinctive seal and super scribed with correct Tender No. item of supply and due date of opening.

The offers will be opened at 14.30 hrs on the due date of the tender in the presence of tenderers who have submitted their offer and who may like to be present for the tender opening. Late and delayed offers are liable to be rejected.

The bidder along with its associate/ collaborators/ sub-contractors/ sub-vendors/ consultants/ service providers shall strictly adhere to BHEL fraud prevention policy displayed on BHEL website <http://www.bhel.com> and shall immediately bring to the notice of BHEL management about any fraud or

The offers should reach us 30 minutes before the time of opening of tenders. The offers will be opened at 14.30 hrs on the due date of tender in the presence of tenderers who have submitted their offer and who may like to be present for the tender opening.Late and delayed offers are liable to be rejected.

Yours faithfully,
For BHARAT HEAVY ELECTRICALS LIMITED


MANAGER, PURCHASE
(FOSSIL BOILERS)
Yours faithfully,



BHARAT HEAVY ELECTRICALS LIMITED

(A Government of India Undertaking)
HIGH PRESSURE BOILER PLANT
PURCHASE DEPARTMENT - FOSSIL BOILERS
THIRUCHIRAPALLI - 620014
TAMILNADU (INDIA)

Page 3/3
PHONE :2577331
GRAMS : BHARATELEC
FAX NO: 2520719
E-mail: srchandran@bheltry.co.in
Web:

2661500430 / 16.10.2015

23505

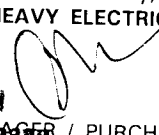
suspected fraud as soon as it comes to their notice.

Enclosures:

"LD clause has to be confirmed without fail."

The offers should reach us 30 minutes before the time of opening of tenders.
The offers will be opened at 14.30 hrs on the due date of tender in the presence of tenderers who have submitted their offer and who may like to be present for the tender opening. Late and delayed offers are liable to be rejected.

Yours faithfully,
For BHARAT HEAVY ELECTRICALS LIMITED


V. CHELLIAH
Sr Manager / PURCHASE
(FOSSIL BOILERS)
MM / RM / CP & SP
RHEL, TRICHY - 620 014
faithfully,

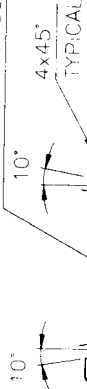
ALL DIMENSIONS ARE IN MILLIMETRES

DRAWING NO
3-M-02A40-15299

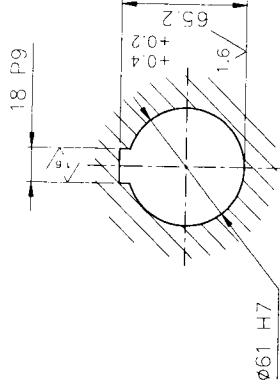
18P9	-0.018 -0.061	øH17	+0.030 +0.000
------	------------------	------	------------------

3.2/1.6

HARDNESS 300-350 BHN



4 HOLES ø25
ON PCD 200



NOTE:

- 01. RAW MATERIAL OF SUITABLE SIZE SHALL BE SELECTED
- 02. TREAD DIAMETER AND FLANGE SURFACE TO BE HARDENED 300 TO 350 BHN TO A DEPTH OF 15-20MM SHOWN AS

BAR ø370 x 125L IS 1875		DESCRIPTION		DRAWING NO		IS 5517		76.07	
ITEM NO		DESCRIPTION		DRAWING NO		M55 C8		UNIT WT	
EQUIP: EOT CRANE / UNICON		LOC.No. 7910 8133 8134				M55 C8		M55 C8	
DEPT: MES		GRADE OF UNCL DIM		SCALE		WEIGHT (kg)		REF TO ASSY DWG NO	
CODE: 2587		ø M/f IS:2102		1:2.5		76.07		REF TO OLD DWG NO	
TITLE		LT WHEEL ø360x135 (DRIVE)		CARD CODE		U 01		DRAWING NO :	
								4M02A3325184	
								3-M-02A40-15299	
								REV	
								02	

CUTION: THE INFORMATION ON THIS DOCUMENT IS THE PROPERTY OF BHARAT HEAVY ELECTRICALS LIMITED. IT MUST NOT BE USED DIRECTLY OR INDIRECTLY IN ANY WAY DETRIMENTAL TO THE INTEREST OF THE COMPANY.

REV	DATE	ALTERED	BY	DATE	ALTERED	BY	
02	12.09.15	CHECKED	G.GOVINDARAJ	01	08.14	CHECKED	
		APPROVED	G.GOVINDARAJ			APPROVED	
			G.THAGARAJAN				
		01. SURFACE FINISHING ALTERED					
		02. NOTE ALTERED					
		01. NOTE ADDED					
		02. IS 5517 WAS IS 2004					

DRN	NAME	SIGNATURE	DATE
G.GOVINDARAJ	N.MADURAVEERAN	<i>N. Maduraveeran</i>	04/07/14
G.GOVINDARAJ	G.GOVINDARAJ	<i>G. Govindaraj</i>	04/07/14
G.THAGARAJAN	G.THAGARAJAN	<i>G. Thagarajan</i>	04/07/14

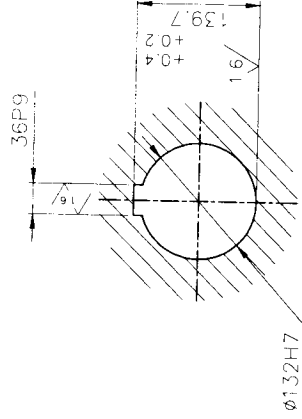
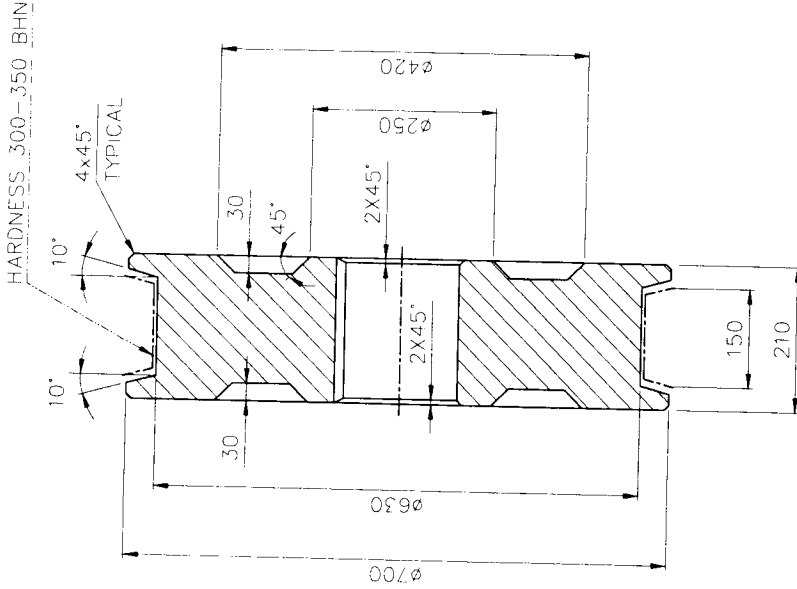
A3-SIZE

ALL DIMENSIONS ARE IN MILLIMETRES

DRAWING NO: 3-M-02G24-15504

36P9	-0.026	+0.040
	-0.088	+0.000

3.2/1.6



NOTE:-
 01. RAW MATERIAL OF SUITABLE SIZE SHALL BE SELECTED
 02. TREAD DIAMETER AND FLANGE SURFACE TO BE HARDENED 300 TO 350 BHN TO A DEPTH OF 15-20MM SHOWN AS

CAUTION: THE INFORMATION ON THIS DOCUMENT IS THE PROPERTY OF BHARAT HEAVY ELECTRICALS LIMITED. IT MUST NOT BE USED DIRECTLY OR INDIRECTLY IN ANY WAY DETRIMENTAL TO THE INTEREST OF THE COMPANY.

BAR ϕ 700 x 210 IS 1875		DESCRIPTION		DRAWING NO		IS 5517	513.87
ITEM NO						55 C8	1
EOPT: GANTRY CRANE / UNICON 10T / 28M						MATERIAL SPEC	
Bharat Heavy Electricals Ltd HIGH PRESSURE BOILER PLANT TIRUCHIRAPALLI - 620014		DRN	C. GOVINDARAJ	NAME	C. GOVINDARAJ	SIGNATURE	12.09.15
DPT	2597	CHD	C. GOVINDARAJ	APPD	C. THIAGARAJAN		12.09.15
M/S	IS: 2102	SCALE	1:5	WEIGHT (Kg)	513.87	REF TO ASSY DWG NO	
GRADE OF UNITOL DW						REF TO OLD DWG NO	3M02G2414086
TITLE		LT WHEEL ϕ 630x ϕ 132x210L		DRAWING NO :		3-M-02G24-15504	
REV	DATE	ALTERED	CHECKED	APPROVED	ZONE	CARD CODE	U 01

A3-SIZE

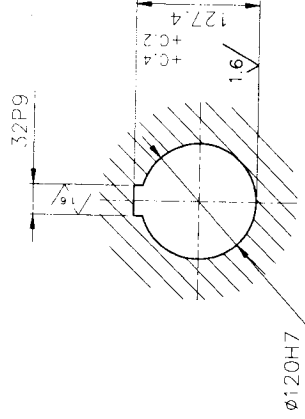
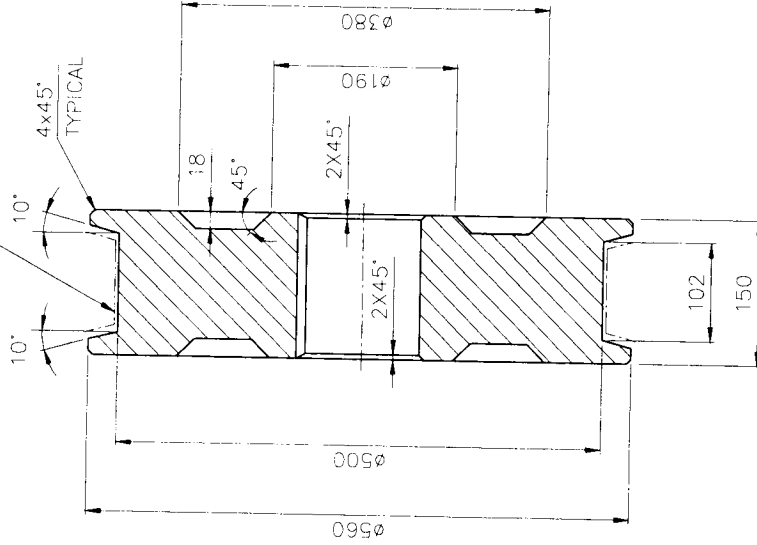
ALL DIMENSIONS ARE IN MILLIMETRES

DRAWING NO
3-M-02A23-15307

32P9	-0.026 -0.088	ø120H7	+0.035 +0.000
------	------------------	--------	------------------

3.2/1.6
√/√

HARDNESS 300-350 BHN



△/△

NOTE:-

- 01. RAW MATERIAL OF SUITABLE SIZE SHALL BE SELECTED
- 02. TREAD DIAMETER AND FLANGE SURFACE TO BE HARDENED 300 TO 350 BHN TO A DEPTH OF 15-20MM SHOWN AS -----

BAR ø560 x 150L IS 1875		IS 5517		261.50	
ITEM NO	DESCRIPTION	DRAWING NO	MATL CODE	MATL SPEC	UNIT WT
-			55 C8		1
EOPT: EOT CRANE / W 20T / 28M					
Bharat Heavy Electricals Ltd HIGH PRESSURE BOILER PLANT TIRUCHIRAPALLI - 620014		NAME	G.GOVINDARAJ	SIGNATURE	DATE
DEPT CODE	2597	DRN	G.GOVINDARAJ	<i>G. Govindaraj</i>	05.08.14
MAS CODE	2597	CHK	R.RAMAMOORTHY	<i>R. Ramamoorthy</i>	05.08.14
GRADE OF UNTOL DIM	φ/M/F	APPD	G.THAGARAJAN	<i>G. Thagarajan</i>	05.08.14
SCALE	1:5	REF TO ASSY DWG NO			
WEIGHT (Kg)	261.50	REF TO OLD DWG NO	3M02A2309680		
TITLE LT WHEEL Ø560xØ120x150L					
DRAWING NO : 3-M-02A23-15307				CARD CODE	REV
U 01					01

CAUTION: THE INFORMATION ON THIS DOCUMENT IS THE PROPERTY OF BHARAT HEAVY ELECTRICALS LIMITED. IT MAY NOT BE USED DIRECTLY OR INDIRECTLY IN ANY WAY DETRIMENTAL TO THE INTEREST OF THE COMPANY.

REV	DATE	ALTERED	G.GOVINDARAJ
01	10.08.15	CHECKED	G.GOVINDARAJ
ZONE		APPROVED	G.THAGARAJAN

- 01. OLD DRG No. ADDED
- 02. NOTE ALTERED
- 03. SURFACE FINISHING ALTERED

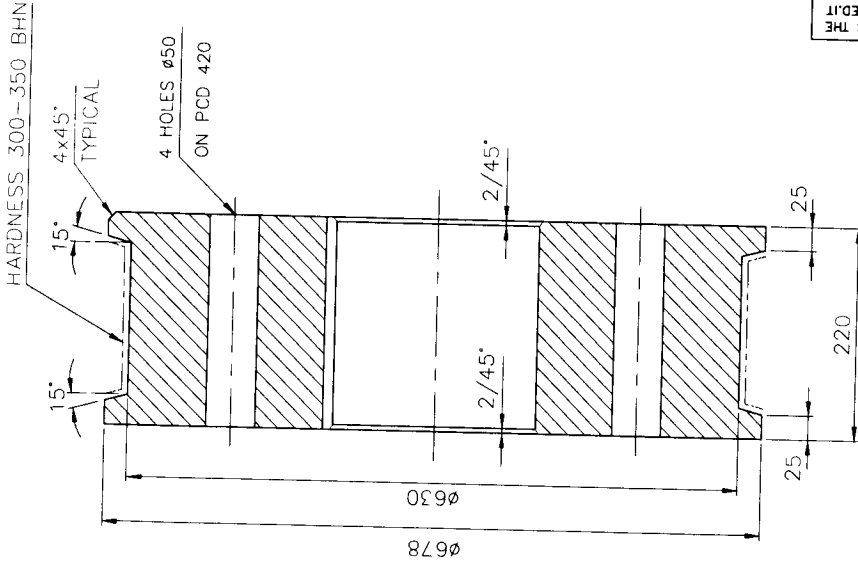
A3-SIZE

ALL DIMENSIONS ARE IN MILLIMETRES

DRAWING NO. 3-M-02A39-15511

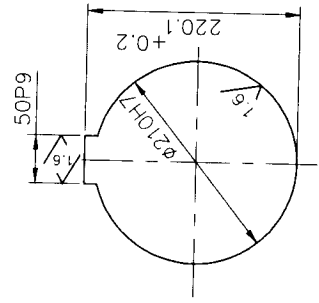
±0.046	50 P9	-0.026
0.000		-0.088

3.2/1.6



NOTE:

01. RAW MATERIAL OF SUITABLE SIZE SHALL BE SELECTED
02. TREAD DIAMETER AND FLANGE SURFACE TO BE HARDENED 300 TO 350 BHN TO A DEPTH OF 15-20mm SHOWN AS -----



CAUTION: THE INFORMATION ON THIS DOCUMENT IS THE PROPERTY OF BHARAT HEAVY ELECTRICALS LIMITED. IT MUST NOT BE USED DIRECTLY OR INDIRECTLY IN ANY WAY DETRIMENTAL TO THE INTEREST OF THE COMPANY.

- BAR Ø678 x 220L		IS 1875		IS 5517		563.41	
ITEM NO		DESCRIPTION		MATERIAL		UNIT WT	
EQPT: EOT CRANE / GREAVES/150T/25T/28.5		DRAWING NO		55 CB (FORGED)		1	
DEPT		GRADE OF UNTOL DIM		MATERIAL SPEC		QTY	
MATERIAL CODE		φ/M/F		NAME		SIGNATURE	
2597		IS:2102		S.SELVAMANICKAM		01/10/15	
SCALE		WEIGHT (Kg)		C.GOVINDARAJ		01/10/15	
1:5		563.41		C.THAGARAJAN		01/10/15	
TITLE		DRIVING NO		REF TO ASSY DWG NO		ITEM	
DRIVE WHEEL Ø678x220L		4M02A3929403		REF TO OLD DWG NO		4M02A3929403	
(LT WHEEL ASSY.)		CARD CODE		DRAWING NO :		REV	
U 01		U 01		3-M-02A39-15511		00	

REV	DATE	ALTERED
		CHECKED
		APPROVED
ZONE		

A3-SIZE

ALL DIMENSIONS ARE IN MILLIMETRES

DRAWING NO: 3-M-02A33-15505

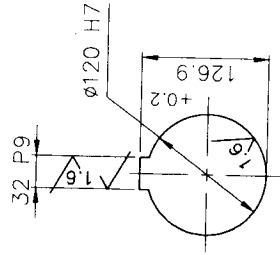
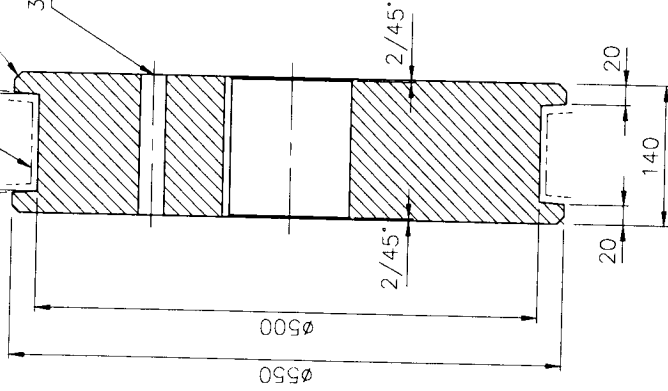
±0.025	32 P9	+0.026
0.000		+0.088

3.2/1.6

HARDNESS 300-350 BHN

4x45° TYPICAL

3 HOLE Ø25 ON PCD 275



NOTE:

01. RAW MATERIAL OF SUITABLE SIZE SHALL BE SELECTED
02. TREAD DIAMETER AND FLANGE SURFACE TO BE HARDENED 300 TO 350 BHN TO A DEPTH OF 15-20mm SHOWN AS -----

CAUTION: THE INFORMATION ON THIS DOCUMENT IS THE PROPERTY OF BHARAT HEAVY ELECTRICALS LIMITED. IT MUST NOT BE USED DIRECTLY OR INDIRECTLY IN ANY MANNER DETRIMENTAL TO THE INTEREST OF THE COMPANY.

BAR Ø500 x 140L IS 1875		DESCRIPTION		DRAWING NO		IS 5517		253.02	
ITEM NO		EQUIP: EOT CRANE / BHEL - 10T (NEW)		MATERIAL SPEC		55 C8 (FORGED)		1	
DEPT		NAME		SIGNATURE		DATE			
M/S		Bharat Heavy Electricals Ltd		C.PONNUSAMY		11/09/15			
CODE		HIGH PRESSURE BOILER PLANT		G.GOVINDARAJ		11/09/15			
GRADE OF UNTOL DIM		TIRUCHIRAPALLI - 620014		G.THAGARAJAN		12/09/15			
φ/M/F		SCALE		REF TO ASSY DWG NO		ITEM			
IS:2102		1:5		4M02AS929678		REF TO OLD DWG NO			
2597		WEIGHT (Kg)		DRAWING NO :		REV			
253.02		4M02AS929678		3-M-02A33-15505		00			
TITLE		CARD CODE		DRAWING NO :		REV			
LT WHEEL Ø550x140L		U 01		3-M-02A33-15505		00			
(LT WHEEL ASSY.)									

A3-SIZE

CAPITAL PURCHASE
COMMERCIAL TERMS AND CONDITIONS

1.0 QUOTATIONS

The Bidders shall submit the offer in **TWO INNER ENVELOPES** as indicated below which shall be sealed in one outer envelope.

Envelope I This sealed envelope should contain all the copies of technical bid together with un-priced commercial bid & annexure III. This envelope should be clearly marked "**Part I - Technical and commercial bid**",

Indicating Enquiry No., Due Date and Address & Reference of the Bidder.

Envelope II This sealed envelope should contain **price as per Annexure-IV format**. This envelope should be clearly marked "**Part II - Price bid**", indicating **Enquiry No., Due Date and Address & Reference of the Bidder**.

Both the envelopes (Part I & II) shall be put in one cover (**Envelope III**), duly sealed, superscribing as Part I and Part II of Enquiry No., due date of opening and the address and reference of the Bidder

The above offer should reach this office on or before the due date by 14.00 hours (IST). Late offers will not be considered.

Tender should not be addressed to any individual's name

The Tender Opening Cell/MM
Room No-26 , Building – 24 , Ground Floor
Bharat Heavy Electrical Limited
Tiruchirapalli- 620014 .

Tenders should be free from **CORRECTION AND ERASURES**, Corrections if any, must be attested. All Amounts shall be indicated both in words as well as in figures. Where there is difference between amount quoted in words and figures, amount quoted in words shall prevail. Offers should be in **ENGLISH** and accompanied by detailed technical literature, catalogue and detailed dimensional drawings in **ENGLISH** or otherwise, the offers will not be considered.

2.0 OPENING OF TENDERS

The Part I - Technical & commercial bid alone would be opened on the Tender opening date.

The Part II - Price bid of technically suitable Bidders alone would be opened. The Technically Suitable Bidders would be informed about the tender opening date through e-mail.

Clarifications if any required by BHEL for Technical evaluation **would be** sought from Bidders before opening of Part II - price bid

For any queries clarifications the bidders may contact us through our FAX NO. +91 431 2520719 or through e-mail <arunachal@bheltry.co.in >&< chells@bheltry.co.in>

Annexure For Techno Commercial Bid

Check List - to be filled and submitted along with Technical Bid

BHEL Commercial Terms and Conditions for Indigenous Supplies	Vendor's Confirmation / Comments
Technical confirmation to BHEL's Specification as called for in BHEL Format shall be furnished. If needed additional sheets shall be used.	
Prices shall be quoted item wise only as per the model format enclosed	
Prices shall be quoted on " FIRM PRICE " basis only The prices should be only on F.O.R / Despatching station basis with Packing & Forwarding charges if any. Applicable % of ED & Sales Tax, Freight & Insurance, Installation & Commissioning Charges should be clearly Indicated	
Validity of offer shall be for a minimum period of 120 days from the date of Tender opening	
Delivery period from the date of Letter of Intent / Purchase order shall be clearly mentioned in the offer	
Liquidated damages @ '0.5% per week subject to a maximum of 10% of the order value shall be applicable for delay in deliveries For Details Refer Annexure- v	
Following Risk Purchase clause shall be applicable The purchaser at his option will be entitled to terminate the contract and to purchase elsewhere at the risk and cost of the seller either the whole of the goods or any part which the supplier has failed to deliver or dispatch within the time stipulated or if the same were not available, the best and the nearest available substitute therefore The supplier shall be liable for any loss which the Purchaser may sustain by reason of such risk purchases	
Payment term for supply portion: Payment term is 100% direct payment after 45 days from the date of receipt and acceptance of materials For details Refer Annexure- v	
Erection / commissioning: (if applicable only) Erection / commissioning charges if any has been mentioned in the offer or else confirmation that Erection /commissioning shall be done at free of cost is available in the offer,	
The equipment shall be guaranteed for a period of 12 months from the date of commissioning	
Final inspection and acceptance of equipment will be after installation at BHEL, Trichy	
The vendor shall provide necessary drawings, Test Certificates and Operating Maintenance Manuals etc., as called for in the Technical Specification, in the required number of copies at no extra cost	
Any warranty replacement during warranty period shall be supplied free of charge on FOR BHEL, Trichy basis.	
Offers should be submitted only in sealed cover super-scribing clearly the Enquiry reference and due date.	
% of Excise Duty with cess	
% of TAX (CST/VAT)-(INGST with FORM-17 or CST with C-FORM)	
Packing & Forwarding Charges (if any in % only)	
Percentage of Freight& transit insurance charges, if any Freight charges from Dispatching station to BHEL, Tiruchirappalli • Supplier should quote for F.O.R-BHEL Trichy Stores.	
As per Commercial terms and conditions, acceptance for participation in Reverse auction (RA). Yes/No to be indicated	
Name of the person for participating reverse auction	
Land Line Number	
Fax Number	
Mobile Number	
E-mail ID	

NOTE:-

- It is confirmed that all the terms and conditions stipulated in the Enquiry have been fully understood by us and all clarifications & details have been obtained.
- Your offer should be indicating applicable if any P&F Charges, % of ED, Sales Tax -CST or VAT, Service Tax), Freight, Insurance and Installation and Commissioning Charges etc., as per our Price Format
- Your specific acceptance to our Payment terms, LD & Risk Purchase Clause are essential for consideration of your offer. Other wise your offer is liable for rejection.
- No row shall be left blank. Please indicate NA, in case the item is "not applicable"

Payment Term (Indigenous)	
If materials are receivable at Stores/Trichy <u>without PBG</u>	Payment term is 100% direct payment after 45 days from the date of receipt and acceptance of materials.
If materials are receivable at Stores/Trichy <u>with PBG</u>	Payment term is 100% direct payment after 45 days from the date of receipt and acceptance of materials and against 10% PBG valid for the warranty period.
Any deviation in the above payment term will attract loading as mentioned below. “Base rate of SBI (as applicable on the date of bid opening. Techno-commercial bid opening in case of two part bids) + 6% shall be considered for loading for the period of relaxation sought by bidders.	

Offers of indigenous Suppliers with any other Payment terms will be rejected.

Liquidated Damages / Penalty -
The delivery of the goods specified in the purchase order should be made within the time prescribed. LD for delay in 'Supply' and/or 'E&C' will be applicable to the delays attributed to vendor. LD will be considered separately for 'Delivery' and 'E&C'. Where the seller supplies or dispatches the goods, beyond the delivery period Liquidated damages shall be applicable 0.5% of the total order value per week or part thereof subject to a maximum of 10% of the total order value. Material Despatched after Due date: Once the delivery due date is crossed, <u>bills have to be clubbed till final despatch and forwarded for processing of payment as a single bunch.</u> LD percentage will be calculated from Delivery due date to final despatch date. The rate of LD for delayed E&C shall be @ 0.5% per week of delay of total PO value (Supply + E&C) in E&C subject to a maximum of 10% of total PO value (Supply + E&C). For staggered delivery schedule, LD shall be 0.5% of the undelivered portion per week of the delay or part thereof subject to a maximum of 10% of the total order value. Any deviation from the above LD clause, loading will be applied to the extent to which it is not agreed by the bidder (at offered value). For the purpose of Imposing LD, the FOB delivery (B/L date) shall be considered.

Guarantee / Warranty Period – (if applicable)
Normally No deviation permitted and the deviated offers are liable for rejection.

Ranking-
BHEL will consider the ranking after the loading is applied as referred above wherever deviations are observed.

Performance Bank Guarantee – (if applicable)
Normally No deviation permitted and the deviated offers are liable for rejection.

Fraud prevention clause: The bidder along with its associate/collaborator/sub-contractor/sub-vendor/consultants/service providers shall strictly adhere to BHEL fraud prevention policy displayed on BHEL website <http://www.bhel.com> and shall immediately bring to the notice of BHEL management about any fraud or suspected fraud as soon as it comes to their notice.

NOTE:-

1. If the due date of tender opening happens to be a holiday, the tenders will be opened on the next working day.
2. BHEL reserves the right to go for a reverse auction (RA) instead of opening the submitted sealed bid which will be decided after technical evaluation. Information and general terms and conditions covering RA are given in commercial terms and conditions.
3. Corrigendum if any, with respect to this tender will be hosted only in the website <http://www.bhel.com> or <http://tenders.gov.in>. You are requested to visit the website regularly for updates.

Special Provisions for Micro and Small Enterprises (MSE)

1. 20% of the tendered quantity is earmarked for MSE suppliers in this tender.
2. Out of the 20% tendered quantity reserved for MSE suppliers, 4% shall be earmarked for procurement from MSE owned by SC/ST entrepreneurs.
3. In case MSE vendor participating in the tender quotes within the price band of L1+15%, they will be allowed to supply the portion of the requirement subject to acceptance of L1 price by MSE vendor. In case of more than one such MSE, the supply shall be shared proportionately.
4. "MSE suppliers can avail the intended benefits only if they submit along with the offer, attested copies of either EM II certificate having deemed validity (five years from the date of issue of acknowledgement in EM-II) or valid NSIC certificate or EM II certificate along with attested copy of a CA certificate (Format enclosed at Annexure -VII where deemed validity of EM II certificate of five Years has expired) applicable for the relevant financial year (latest audited). Date to be reckoned for determining the deemed validity will be the date of bid opening (Part 1 in case of two part bid). Non submission of such documents will lead to consideration of their bid at par with other bidders. No benefit shall be applicable for this enquiry if any deficiency in the above required documents are not submitted before price bid opening. If the tender is to be submitted through e-procurement portal, then the above required documents are to be uploaded on the portal. Documents should be notarized or attested by a Gazetted officer."

Certificate by Chartered Accountant on letter head

This is to Certify that M/S,
(hereinafter referred to as 'company') having its registered office at
..... is registered under MSMED Act 2006, (Entrepreneur
Memorandum No (Part-II) dtd:.....,
Category: (Micro/Small), (Copy enclosed).

Further verified from the Books of Accounts that the investment of the company as on
date..... as per MSMED Act 2006 is as follows:

1. **For Manufacturing Enterprises:** Investment in plant and machinery (i.e. original cost
excluding land and building and the items specified by the Ministry of Small Scale Industries vide its
notification No.S.O.1722(E) dated October 5, 2006 :
Rs.....Lacs
2. **For Service Enterprises:** Investment in equipment (original cost excluding land and building and
furniture, fittings and other items not directly related to the service rendered or as may be notified under the MSMED
Act, 2006:
Rs.....Lacs

The above investment of Rs.....Lacs is within permissible limit of
Rs.....Lacs forMicro / Small (Strike off which is not applicable)
Category under MSMED Act 2006.

Date:

(Signature)

Name -

Membership number -

Seal of Chartered Accountant