



# BHARAT HEAVY ELECTRICALS LIMITED

( A Government of India Undertaking )  
HIGH PRESSURE BOILER PLANT  
PURCHASE DEPARTMENT - FOSSIL BOILERS  
THIRUCHIRAPALLI - 620014  
TAMILNADU (INDIA)

PHONE :2577331  
GRAMS : BHARATELEC  
FAX NO: 2520719  
E-mail: srchandran@bheltry.co.in  
Web:

429-002/A

Enquiry No	Enquiry Date	Due Date for Quotation
2661500454 - 55	27.10.2015	19.11.2015
<p>Please quote Enquiry No, Date and due date in all correspondences. This is only a request for quotation and not an order. <b>Bid should be submitted in two parts. 1.Techno-commercial bid (Part-I) and 2.Price bid(Part-II) in a separate sealed cover and both covers must be placed in a third cover and sealed. Our Enquiry No., Enq. date &amp; Enq. Due date must be written on all three covers.</b></p>		

Item	Description	Unit	Quantity	Delivery Quantity	Schedule Date
10	SPUR GEAR AS PER DRAWING NO 3M04D1315421 ✓ Common Note for all items: „Supplier shall punch/mark the given drawing no. against each item. VENDOR QUALIFYING CRITERIA Only those vendors who satisfy the following conditions will get qualified to participate in the tender: 1.Vendor should have minimum 3 year experience in this field. 2.Previous PO details for supplying similar kind of items should be submitted along with offer. Otherwise offer will be rejected. 3.Company profile details has to be provided along with offer. 4.BHEL reserves the right to visit the vendor's works for verifying the manufacturing facilities and any other credential furnished by the vendor in case the information furnished with the offers found to be false /incorrect, the offer shall be rejected. 5.Vendors who have not supplied the ordered items beyond the delivery schedule against our previous PO placed on them from 01.04.14 are liable for rejection / May not be considered for evaluation. Hence the vendors who are all regularly supplying to our POs shall quote for these items.	NO	4.000	4.00	15.02.16
20	SPLIT NUT AS PER DRAWING NO 3M08F0312122 ✓	NO	3.000	3.00	15.02.16
30	BOX NUT AS PER DRAWING NO 3M11B0315448 ✓	NO	2.000	2.00	15.02.16
40	BOX NUT AS PER DRAWING NO 3M11B0315449 ✓	NO	2.000	2.00	15.02.16
50	PINION SHAFT AS PER DRAWING NO 2M04D1005301 ✓	NO	4.000	4.00	15.02.16

The offers should reach us 30 minutes before the time of opening of tenders. The offers will be opened at 14.30 hrs on the due date of tender in the presence of tenderers who have submitted their offer and who may like to be present for the tender opening.Late and delayed offers are liable to be rejected.

**VIGILANCE AWARENESS WEEK**  
**26 th OCT to 31st OCT 2015**  
**FOR VIGILANCE RELATED COMPLAINTS,**  
**CONTACT DGM/VIGILANCE & SM/VIGILANCE**  
**PHONE:0431-2577552,2577636**

Yours faithfully,  
For BHARAT HEAVY ELECTRICALS LIMITED

MANAGER / PURCHASE  
(FOSSIL BOILERS)  
Yours faithfully,

**V. CHELLIAH**  
**Sr Manager / Purchase**  
**MM / RM / CP & SP**  
**BHEL, TRICHY 620 014.**



# BHARAT HEAVY ELECTRICALS LIMITED

( A Government of India Undertaking )  
HIGH PRESSURE BOILER PLANT  
PURCHASE DEPARTMENT - FOSSIL BOILERS  
THIRUCHIRAPALLI - 620014  
TAMILNADU (INDIA)

Page  
2/3

PHONE :2577331  
GRAMS : BHARATELEC  
FAX NO: 2520719  
E-mail: srchandran@bheltry.co.in  
Web:

2661500454 / 27.10.2015

23505

Item No	Description	Quantity	Unit	Rate	Amount	Due Date
60	SHAFT-II AS PER DRAWING NO 3M08A0100044 ✓	NO	3.000	3.00	15.02.16	
70	SPUR GEAR AS PER DRAWING NO 4M08A0112051 ✓	NO	3.000	3.00	15.02.16	
80	SPUR GEAR AS PER DRAWING NO 3M08A0110445 ✓	NO	3.000	3.00	15.02.16	
90	PINION AS PER DRAWING NO 4M03C2825814 ✓	NO	8.000	8.00	15.02.16	

### General Note:

GENERAL NOTE:PLEASE SUBMIT YOUR OFFER IN "TWO PART BID SYSTEM" AS PER THE ANNEXURES ENCLOSED.

ENCLOSURES:ANNEXURE II,III,IV,V,VI,VII

All the tenders may be addressed to the following address:

**The Tender Opening Cell / MM  
Room No: 26, Building 24, Ground Floor  
Bharat Heavy Electricals Limited  
TIRUCHIRAPALLI 620014**

In case personal delivery of the offer, it shall be dropped into the respective box kept in Room No: 26, after duly entering the data in the system.

Offers will be accepted only up to 14.00 Hrs on the due date. Therefore, vendors shall ensure to submit the offers well before this time. All due date extension requirements should be addressed to the respective Purchase mail IDs. All the due date extension requests from vendors will be considered only up to 48 hours before the due date and time.

Vendors are requested to avoid submission of offers through e mail / fax. In case of any unavoidable situation, offers shall be sent through e mail to the following mail ID only tender\_cell@bheltry.co.in.

As tenders are being opened by Common Tender Opening Cell, offer covers should be sealed with tenderer's distinctive seal and super scribed with correct Tender No. item of supply and due date of opening.

The offers will be opened at 14.30 hrs on the due date of the tender in the presence of tenderers who have submitted their offer and who may like to be present for the tender opening. Late and delayed offers are liable to be rejected.


The bidder along with its associate/ collaborators/ sub-contractors/ sub-vendors/ consultants/ service providers shall strictly adhere to BHEL fraud prevention policy displayed on BHEL website <http://www.bhel.com> and shall immediately bring to the notice of BHEL management about any fraud or suspected fraud as soon as it comes to their notice.

The offers should reach us 30 minutes before the time of opening of tenders. The offers will be opened at 14.30 hrs on the due date of tender in the presence of tenderers who have submitted their offer and who may like to be present for the tender opening. Late and delayed offers are liable to be rejected.

**VIGILANCE AWARENESS WEEK**  
**26 th OCT to 31st OCT 2015**  
**FOR VIGILANCE RELATED COMPLAINTS,**  
**CONTACT DGM/VIGILANCE & SM/VIGILANCE**  
**PHONE:0431-2577552,2577636**

**V. CHELLIAH**  
**Sr Manager / Purchase**  
**MM / RM / CP & SP**  
**BHEL, TRICHY 620 014.**

Yours faithfully,  
For BHARAT HEAVY ELECTRICALS LIMITED

  
MANAGER / PURCHASE  
(FOSSIL BOILERS)  
Yours faithfully,



# BHARAT HEAVY ELECTRICALS LIMITED

( A Government of India Undertaking )  
HIGH PRESSURE BOILER PLANT  
PURCHASE DEPARTMENT - FOSSIL BOILERS  
THIRUCHIRAPALLI - 620014  
TAMILNADU (INDIA)

Page  
3/3

PHONE :2577331  
GRAMS : BHARATELEC  
FAX NO: 2520719  
E-mail: srchandran@bheltry.co.in  
Web:

2661500454 / 27.10.2015

23505

**Enclosures:**

"LD clause has to be confirmed without fail."

The offers should reach us 30 minutes before the time of opening of tenders.  
The offers will be opened at 14.30 hrs on the due date of tender in the presence of  
tenderers who have submitted their offer and who may like to be present for the tender  
opening. Late and delayed offers are liable to be rejected.

**VIGILANCE AWARENESS WEEK**

**26 th OCT to 31st OCT 2015**


**FOR VIGILANCE RELATED COMPLAINTS,**

**CONTACT DGM/VIGILANCE & SM/VIGILANCE**

**PHONE:0431-2577552,2577636**

**V. CHELLIAH**  
Sr Manager / Purchase  
MM / RM / CP & SP  
BHEL, TRICHY - 620 014.

Yours faithfully,  
For BHARAT HEAVY ELECTRICALS LIMITED

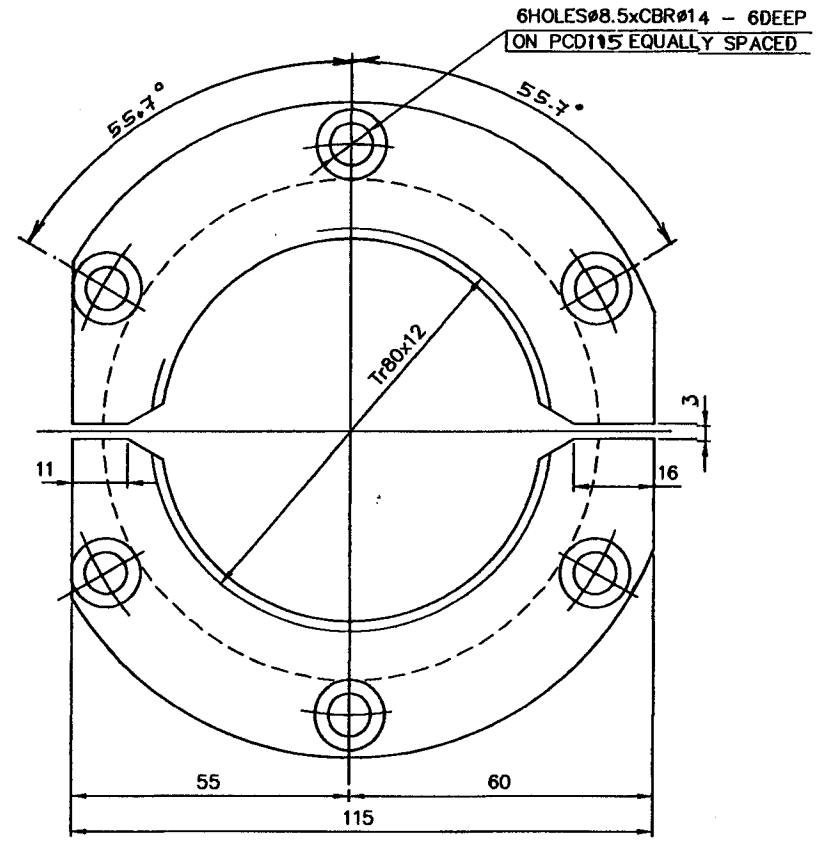
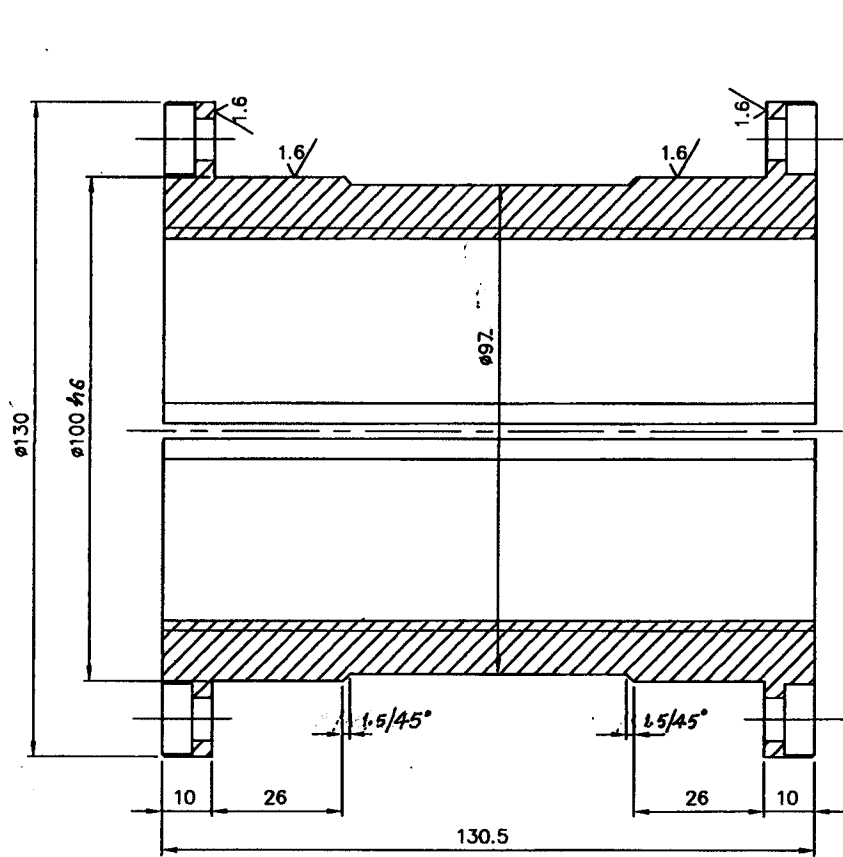
  
MANAGER / PURCHASE  
(FOSSIL BOILERS)  
Yours faithfully,



CAUTION: THIS DRAWING IS OUR SOLE PROPERTY AND SHOULD NOT BE USED IN ANY FORM FOR ANY PURPOSE WITHOUT THE WRITTEN PERMISSION OF BHARAT HEAVY ELECTRICALS LIMITED, TRICHYRAPPALI - 620 014.

ALL DIMENSIONS ARE IN MM

$\phi 100 h6$   $\begin{matrix} -0.000 \\ -0.022 \end{matrix}$   $3.2/\sqrt{1.6}/\checkmark$



NOTE: -  
 CHAMFER SHARP CORNERS TO 1/45°  
 FOR MATING SCREW REF. DRG. No. (—)  
SPLIT AFTER MACHINING

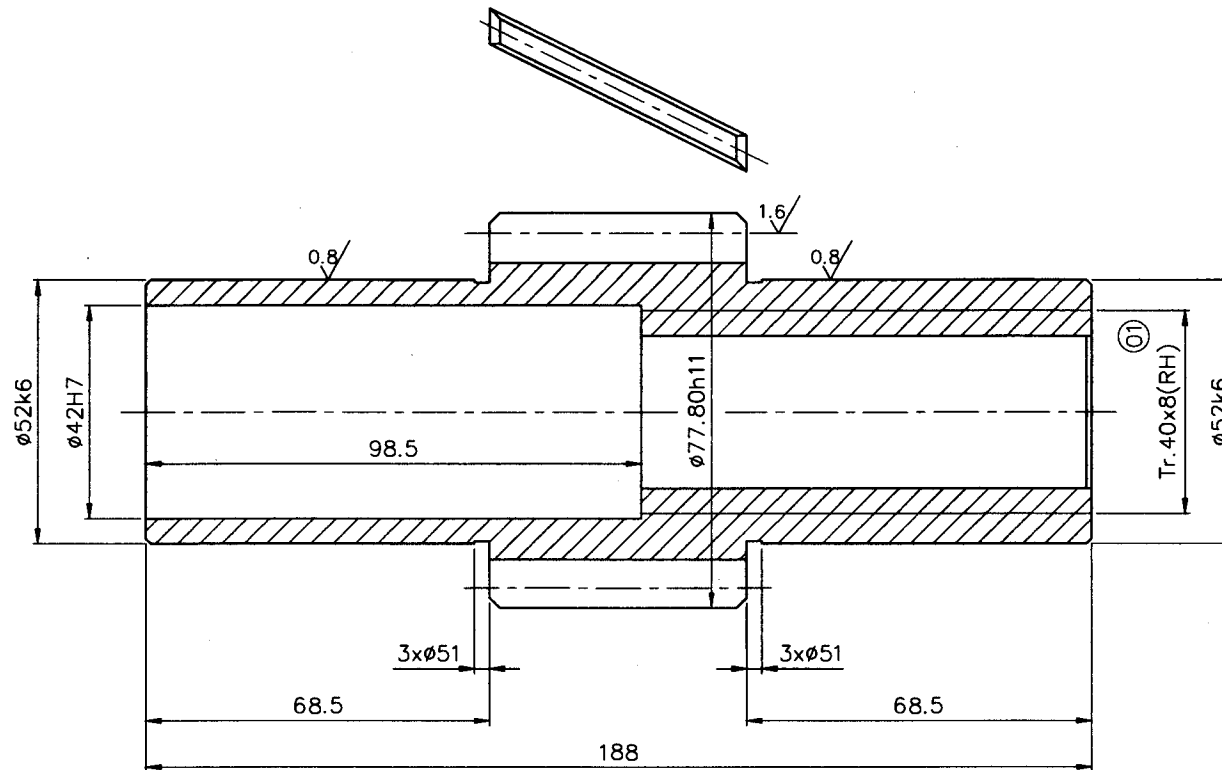
$\phi 130 \times 130.5 L$		PCuSn7	IS: 28	3.20	1-M-08F-00998	127
DESCRIPTION	MATERIAL	STANDARD	NET.WT.IN KGS.	DRAWING No.	ITEM No.	
REFERENCE	COMPONENT CODE: 24	EQUIPMENT CODE: 03		ALTERATIONS	DCN REF	DATE SIGN. INDEX
SCALE	DRAWN	CHECKED	APPROVED	DATE	20-02-2002	
1:1						
MACHINE: DEEP HOLE BORING LATHE			TYPE: 60-6~FLB/PTC 400			
TITLE			DRAWING No.		REV.	
SPLIT NUT Tr80x12x130.5L (APRON ASSY)			3-M-08F-12122		03	
No of Sheets			Sheet No			

ALL DIMENSIONS ARE IN MILLIMETRES

DRAWING NO: 3-M-11B03-15448

ø77.80 h11	-0.000	ø42H7	+0.025	ø52k6	+0.021
	-0.190		0.000		+0.002

3.2/1.6/0.8



NO.OF TEETH	12
MODULE	4
PRESSURE ANGLE	20°
HELEX ANGLE	45° 02
HAND OF HELIX	RH 02
CORRECTION FACTOR	+0.25
WIDTH A/C 2 TEETH	20.20 <sup>-0.141</sup> <sub>-0.188</sub>
QUALITY & TOL.ZONE	9c.DIN 3967
MATING GEAR No.OF TEETH	-
MATING GEAR DRG.No.	-
CENTRE OISTANCE	-

NOTE: - SHARP CORNERS TO BE REMOVED

REV	DATE	ALTERED	S.SELVAMANICKAM
02		CHECKED	R.RAMAMOORTHY
ZONE		APPROVED	G.THIAGARAJAN
HELIX ANGLE & HAND OF HELIX MODIFIED			

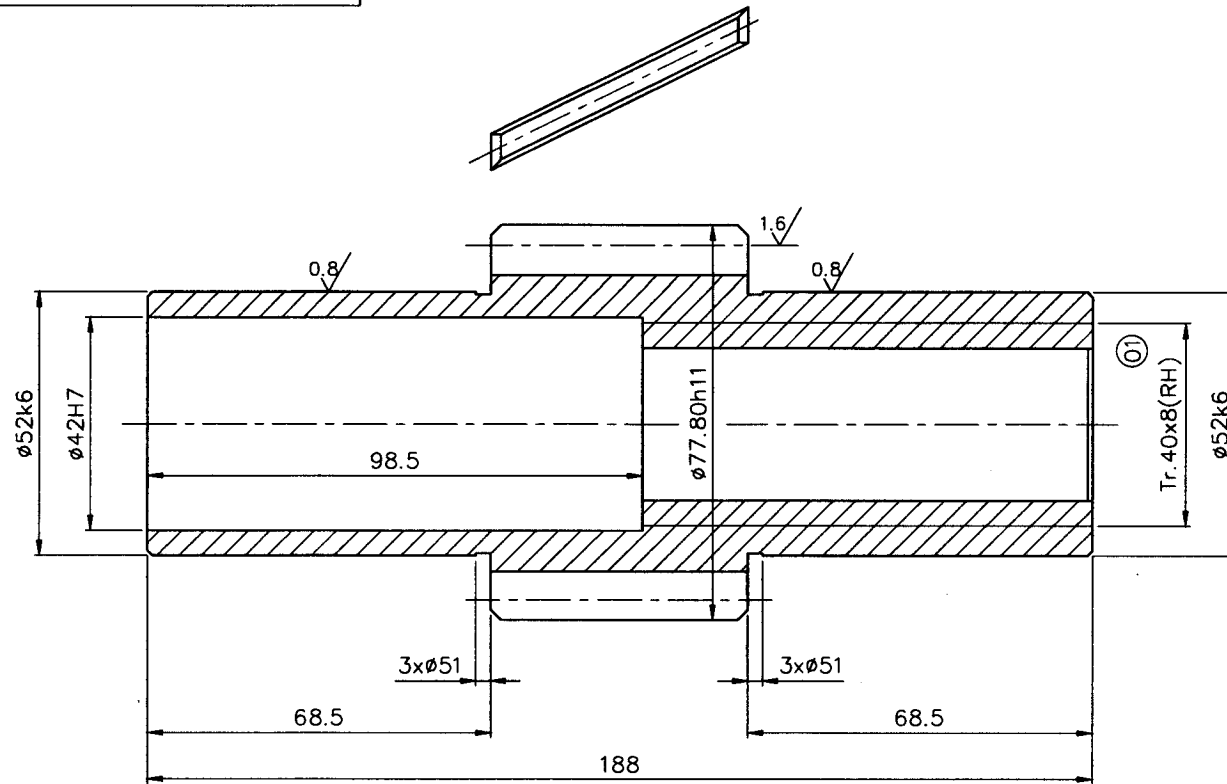
		ø75.88x188 IS: 1762		IS: 5517 1.39	
ITEM NO	DESCRIPTION	DRAWING NO	MATERIAL CODE		UNIT WT
			55CB		1
			MATL SPEC	QTY	
EQPT: DOUBLE COLUMN PLANING MACHINE/PD 20					
Bharat Heavy Electricals Ltd HIGH PRESSURE BOILER PLANT TIRUCHIRAPALLI - 620014		DRN	S.SELVAMANICKAM	SIGNATURE	DATE
		CHD	R.RAMAMOORTHY	<i>R. Ramamoorthy</i>	04.05.15
		APPD	G.THIAGARAJAN	<i>G. Thiagarajan</i>	05.05.15
DEPT	M&S	GRADE OF UNTOL DIM	SCALE	WEIGHT (Kg)	REF TO ASSY DWG NO
2597		ø/M/f IS: 2102	1:1	1.39	REF TO OLD DWG NO
TITLE		CARD CODE	DRAWING NO :		REV
BOX NUT Tr.40x8Px188L(RH) (SIDE TOOL POST UP&DOWN MOMENT ASSY.)		U 01	3-M-11B03-15448		02

3-M-11B03-15449 DRAWING NO.

ALL DIMENSIONS ARE IN MILLIMETRES

ø75.88 h11	-0.000 -0.190	ø42h7	+0.025 0.000	ø52k6	+0.021 +0.002
------------	------------------	-------	-----------------	-------	------------------

3.2/1.6/0.8



NO. OF TEETH	12
MODULE	4
PRESSURE ANGLE	20°
HELEX ANGLE	LH
HAND OF HELIX	45°
CORRECTION FACTOR	+0.25
WIDTH A/C 2 TEETH	20.20 <sup>-0.141</sup> <sub>-0.188</sub>
QUALITY & TOL.ZONE	9c.DIN 3967
MATING GEAR No.OF TEETH	-
MATING GEAR DRG.No.	-
CENTRE DISTANCE	-

NOTE: - SHARP CORNERS TO BE REMOVED

REV	DATE	ALTERED	S.SELVAMANICKAM
01		CHECKED	R.RAMAMOORTHY
		APPROVED	G.Thiagarajan

Tr.40x8P WAS Tr.40x10P

ø75.88x188 IS: 1762		IS: 5517		1.39
ITEM NO	DESCRIPTION	DRAWING NO	MATL CODE	UNIT WT
			55CB	1
		MATING GEAR No.OF TEETH		
		MATING GEAR DRG.No.		
		CENTRE DISTANCE		
EQPT: DOUBLE COLUMN PLANING MACHINE/PD 20				
Bharat Heavy Electricals Ltd HIGH PRESSURE BOILER PLANT TIRUCHIRAPALLI - 620014		DRN	S.SELVAMANICKAM	SIGNATURE <i>S.Selvamanickam</i>
		CHD	R.RAMAMOORTHY	<i>R.Ramamoorthy</i>
		APPD	G.Thiagarajan	<i>G.Thiagarajan</i>
DEPT	GRADE OF UNTOL DIM	SCALE	WEIGHT (Kg)	REF TO ASSY DWG NO
M&S	ø/M/f	1:1	1.39	
CODE	IS: 2102			REF TO OLD DWG NO
2587				
TITLE			CARD CODE	REV
BOX NUT Tr.40x8Px188L(RH) (SIDE TOOL POST UP&DOWN MOMENT ASSY.)			U 01	01
DRAWING NO :			3-M-11B03-15449	

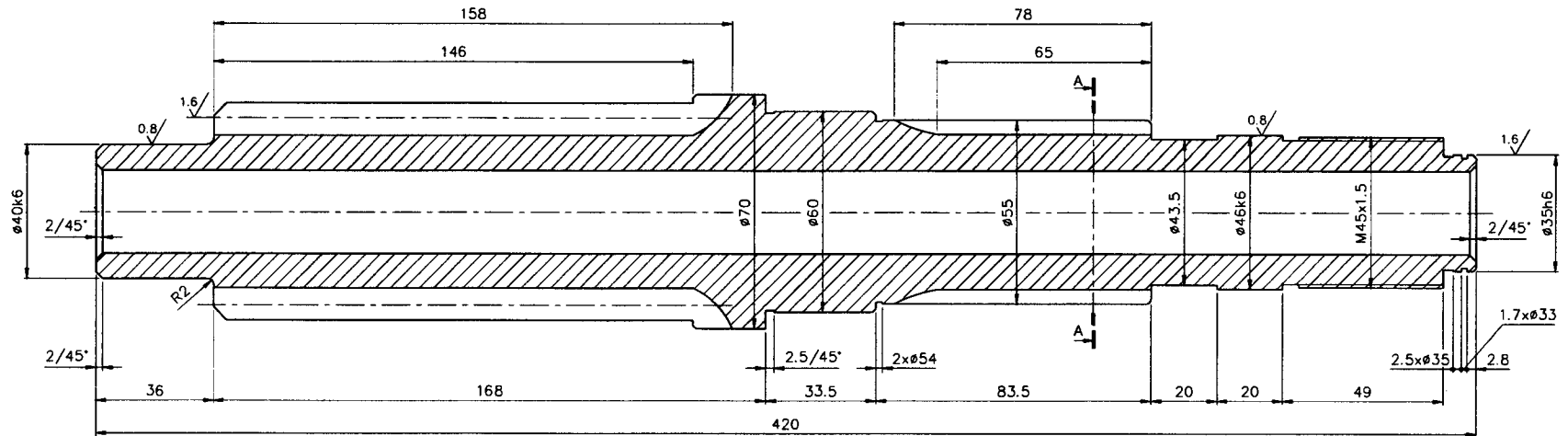
A3-SIZE

2-M-04D10-05301  
DRAWING NO.

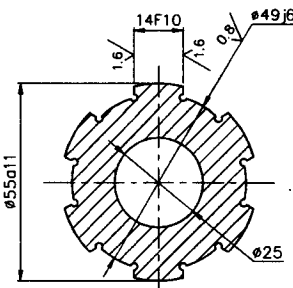
Ø65 h11	-0.000	Ø40k6	+0.018	Ø49j6	+0.011
	-0.190	Ø46k6	+0.002		-0.005
Ø35 h6	-0.000	Ø55o11	-0.380	14F10	+0.016
	-0.160		-0.600		-0.086

3.2/1.6/0.8/

ALL DIMENSIONS ARE IN MILLIMETERS



NO. OF TEETH	12
MODULE	4.5
PRESSURE ANGLE	20°
WIDTH ACROSS 2 TEETH	21.36 <sup>-0.138</sup> / <sub>-0.210</sub>
CORRECTION FACTOR	+0.22
Q.LTY. & TOL. ZONE	9C DIN 3967
MATING GEAR NO. OF TEETH RACK	-
MATING GEAR DRAWING NO.	-
CENTRE DISTANCE	-



SECTION-AA

NOTE: - SHARP CORNERS TO BE REMOVED  
±2  
HARDENED TO HRC.35

REV	DATE	ALIGNED	CHECKED	APPROVED

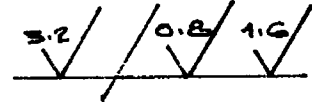
DEPT: ONC TRAVELLING COLD DRILLING & BORING /VSPQ-63/SLOVAKI/SMTCC Bharat Heavy Electricals Ltd HIGH PRESSURE BOILER PLANT TRUCHIRAPALLI - 620014		IS: 5517 8.40
ITEM NO: 55CB DESCRIPTION: Ø70x420 L IS: 1762 DRAWING NO: 2-M-04D10-05301	NAME: S.SELVAMANKAM CHD: C.GOVINDARAJ APPD: G.THAYAGARAJAN	SIGNATURE: S.Selvamankam S. Govindaraj G. Thayagarajan
DATE: 25.06.15 DATE: 25.06.15 DATE: 17.07.15	SCALE: 1:1 WEIGHT (Kg): 8.40	REF TO ASSY DWG NO: REF TO OLD DWG NO: DRAWING NO: 2-M-04D10-05301 REV: 00

A2-SIZE

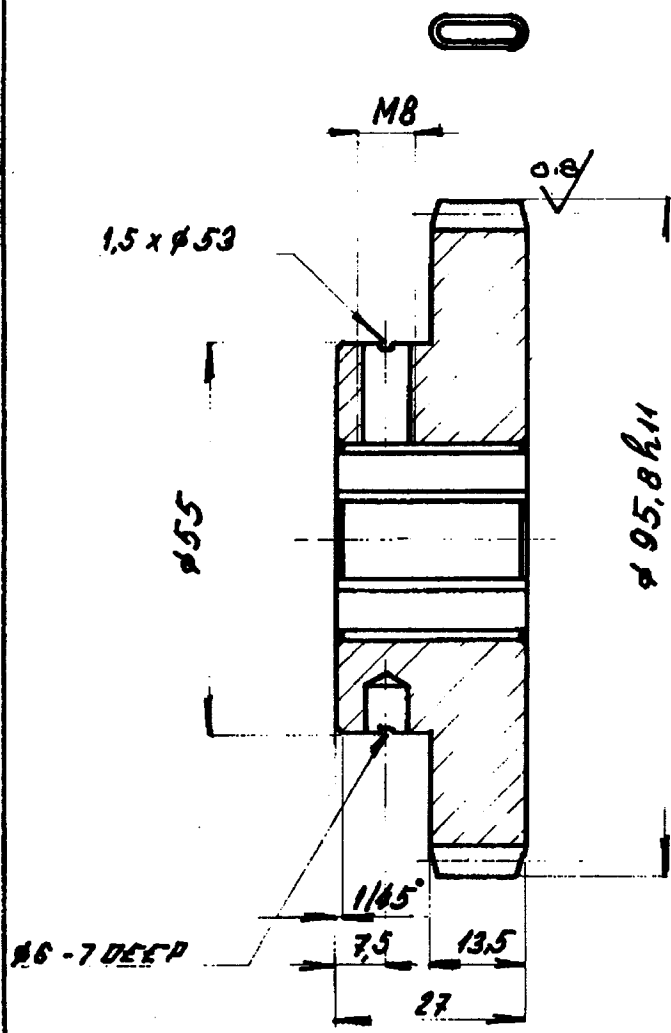


**CAUTION**

THIS DRAWING IS OUR SOLE PROPERTY AND SHOULD NOT BE USED IN ANY FORM FOR ANY OTHER PURPOSE WITHOUT THE WRITTEN PERMISSION OF  
**BHARAT HEAVY ELECTRICALS LTD.**  
 TIRUCHIRAPALLI - 14



φ 28 H7	+0.021
	+0.000
φ 32 H11	+0.160
	+0.000
φ 95.8 h11	-0.000
	-0.220
10 F 10	+0.031
	+0.015



NO OF TEETH	45
MODULE	2
PRESSURE ANGLE	20°
CORRECTION FACTOR	+0.45
WIDTH ACROSS 6 TEETH	34.349 <sup>-0.041</sup> <sub>-0.088</sub>
QUALITY & TOL. ZONE	9C DIN 3967
MATING GEAR NO. OF TEETH	84
DRG. NO	3-M08a-10445
CENTRE DISTANCE	129.8

**HARDEN TO HRC 40 ±2**

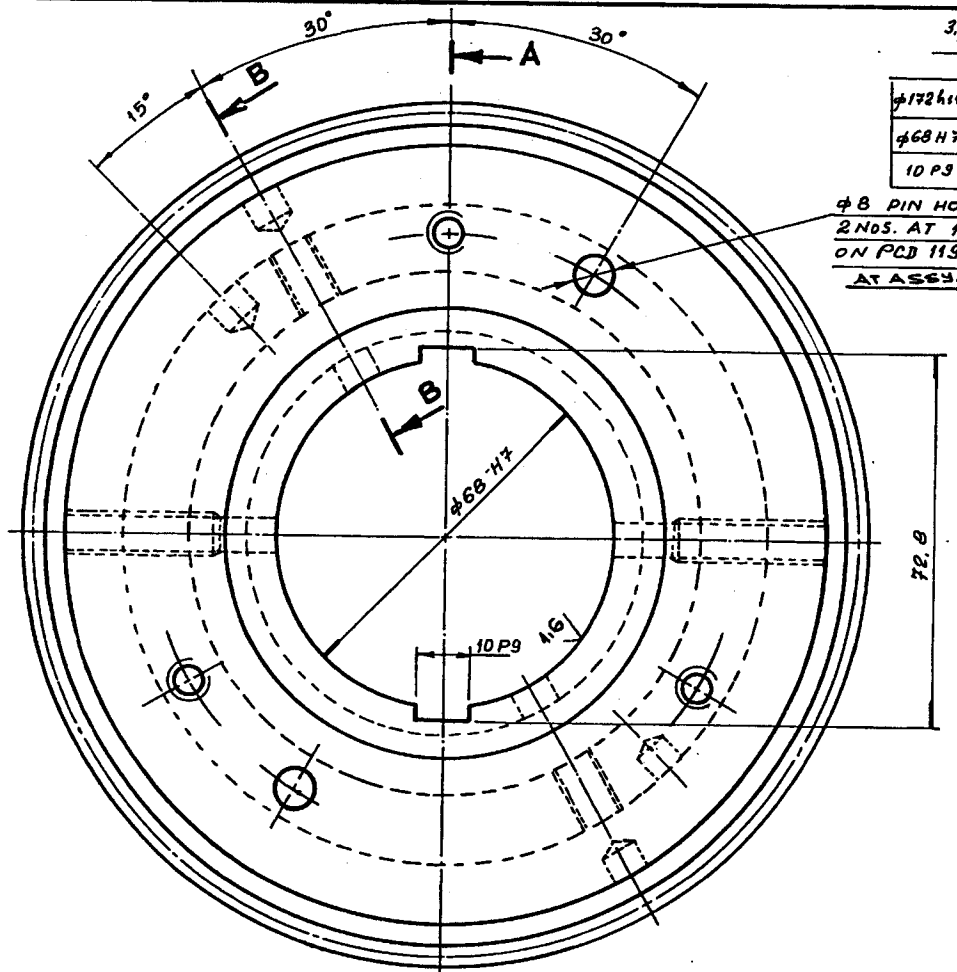
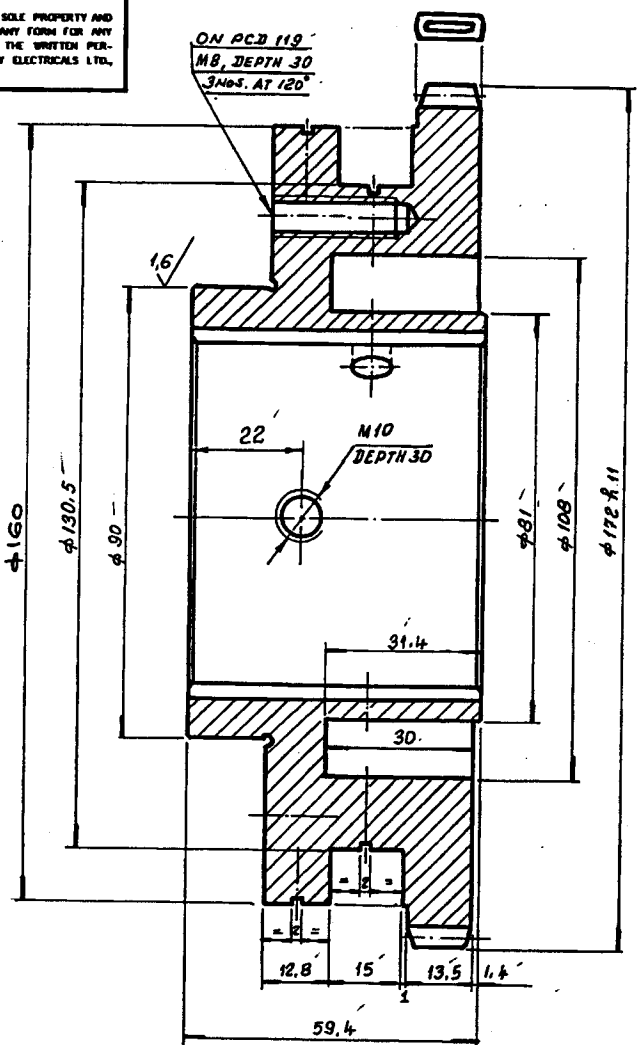
NO. OF PIECES		DESCRIPTION		SEMI-PRODUCT	FINAL MATERIAL	INITIAL MATERIAL	SCRAP SORT	NET W (kg)	GROSS W (kg)	DRAWING NO.	ITEM NO.
					C55 Mn 75 IS: 5517					0.M.08a.009A 40	
REMARKS											
SCALE	DRAWN	S. Pandian			REFERENCE	ALTERATIONS		DATE	SIGNATURE	INDEX	
1:1	CHECKED	[Signature]			23/9/93						
	APPROVED	[Signature]									
	STDS. OFFICER										
	DATE	19740802									
MACHINE		CENTRE LATHE			TYPE:		LB 17		INV. NO.		
TITLE:		SPUR GEAR 45T / φ 96 [HEAD STOCK ASSEMBLY]			DRAWING NO.		4.M.08a-12051				
NO. OF SHEETS					SHEET NO.						



INDEX NO. 39 - 607

**CAUTION**  
 THIS DRAWING IS OUR SOLE PROPERTY AND SHOULD NOT BE USED IN ANY FORM FOR ANY OTHER PURPOSE WITHOUT THE WRITTEN PERMISSION OF BHARAT HEAVY ELECTRICALS LTD., TRICHURAPALLI - 628 014.

39 - 609



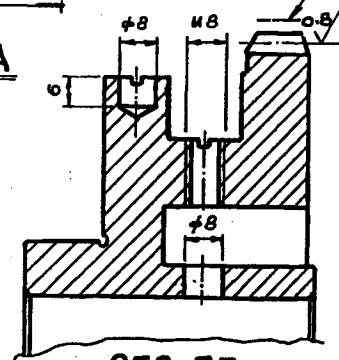
32/1.608

φ172 H11	-0.009
-0.250	
φ68 H7	+0.030
+0.000	
10 P9	-0.015
-0.051	

φ8 PIN HOLE  
 2 Nos. AT 180°  
 ON PCD 119  
 AT ASSY.

NO. OF TEETH : 84 T.  
 MODULE : 2  
 PR. ANGLE : 20°  
 CORRECTION FACTOR : NIL  
 WIDTH ACROSS 10 TEETH : 58.44 <sup>-0.158</sup> <sub>-0.210</sub>  
 QTY & TOL. ZONE : 9c DIN 3967  
 MATING GEAR No. OF TEETH : 45  
 " DRG. No. : 4.M.08a.12051  
 CENTRE DISTANCE : 129.8

**SEC-AA**



② CASE HARDENED TO HRC 58<sup>±2</sup>

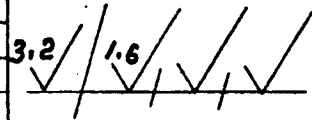
**NOTE :-**  
 EDGES CHAMFERED TO 1/45°  
 ② CASE DEPTH 0.8 mm.

13 N:3 Cr 20		15:4432									
No. OF PIECES	DESCRIPTION	SEM-PRODUCT	FINAL MATERIAL	INITIAL MATERIAL	SCRAP	NET WT.	GROSS WT.	DRAWING No.	ITEM No.		
REMARKS				TOTAL NET WT. (kg)							
SCALE	DRAWN	REFERENCE		ALTERATIONS			DATE	SIGNATURE	INDEX		
1:1	CHECKED	K. h. B. Saany		MATL. CHANGE, NOTE ADDED			23/09/89		②		
	APPROVED										
	STDL. OFFICER										
	DATE	05.09.89									
MACHINE: CENTRE LATHE		TYPE: LB 1P		DRAWING No. 01		3.M.08a.10445 Z		No. OF SHEETS:		SHEET No.	
TITLE: SPUR GEAR φ172/84T.											

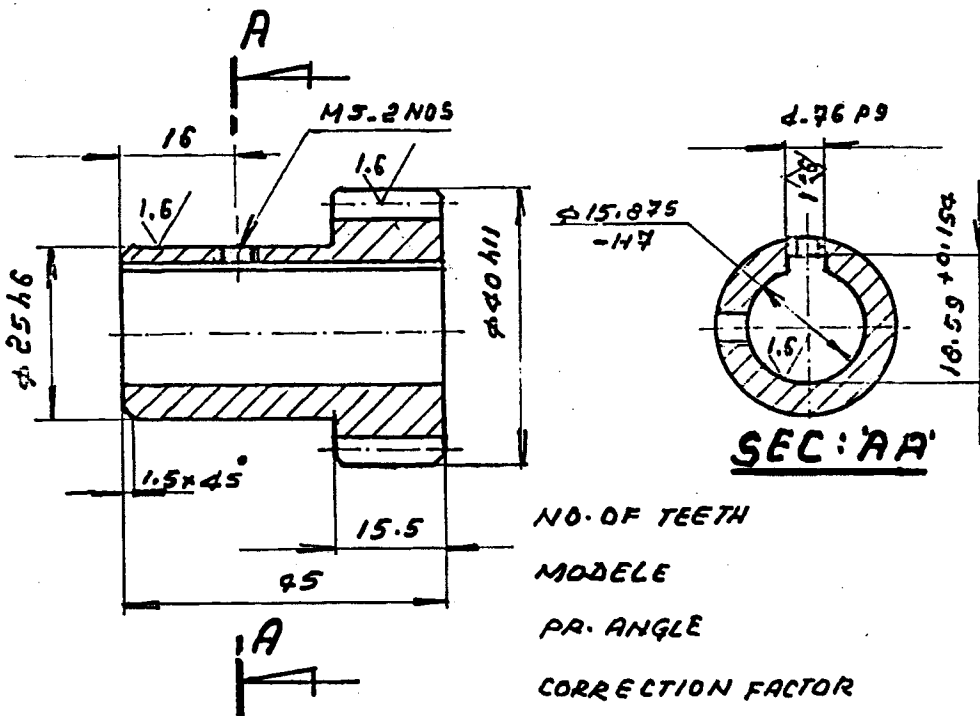
**Caution**

THIS DRAWING IS OUR SOLE PROPERTY AND SHOULD NOT BE USED IN ANY FORM FOR ANY OTHER PURPOSE WITHOUT THE WRITTEN PERMISSION OF BHARAT HEAVY ELECTRICALS LTD., TIRUCHIRAPALLI - 620 014.

$\phi 25 h6$	-0.012	$\phi 25 h6$	-0.000
	-0.042		-0.013
$\phi 40 h11$	-0.000	$\phi 15.875$	+0.018
	-0.160	-H7	+0.000



39-607 A



NO. OF TEETH	30
MODULE	1.25
PR. ANGLE	20°
CORRECTION FACTOR	—
WIDTH A/C 4T	13.44 = 8.113
QUAL. & TOL. ZONE	9C 6IN. 3967
MATING GEAR NO. OF TEETH:	RACK
MATING GEAR JRG. NO.	—
CENTRE DIST:	—

CHAMFER ALL SHARP CORNERS TO 1/45°

$\phi 40 \times 45$	45 C8	IS: 1875	0.20		
No. of pps.	DESCRIPTION	MATERIAL	STD/BPS	Net wt. (kg)	Gross wt. (kg)
REFERENCE:		ALTERATIONS	EC: 28	EC: 27	DRAWING No.
SCALE	DRAWN				
	CHECKED				
1:1	APPROVED				
	DATE				
MACHINE: ENG-PROFILE GAS CUTTING		TYPE: MAYUR-SPENC		Total wt. (kg.)	
TITLE (LONGITUDINAL DRIVE UNIT)		DRAWING No.		REV.	
PINION (OD 40 X 30T)		28			
		A-M-036-25814			
		No. of Sheets:		Sheet No.	

**CAPITAL PURCHASE**  
**COMMERCIAL TERMS AND CONDITIONS**

**1.0 QUOTATIONS**

The Bidders shall submit the offer in **TWO INNER ENVELOPES** as indicated below which shall be sealed in one outer envelope.

**Envelope I** This sealed envelope should contain all the copies of technical bid together with un-priced commercial bid & annexure III. This envelope should be clearly marked **'Part I - Technical and commercial bid'**,

Indicating Enquiry No., Due Date and Address & Reference of the Bidder.

**Envelope II** This sealed envelope should contain **price as per Annexure-IV format**. This envelope should be clearly marked **"Part II - Price bid"**, indicating **Enquiry No., Due Date and Address & Reference of the Bidder**.

Both the envelopes (Part I & II) shall be put in one cover (**Envelope III**), duly sealed, superscribing as Part I and Part II of Enquiry No., due date of opening and the address and reference of the Bidder

The above offer should reach this office on or before the due date by 14.00 hours (IST). Late offers will not be considered.

Tender should not be addressed to any individual's name

**The Tender Opening Cell/MM**  
**Room No-26 , Building – 24 , Ground Floor**  
**Bharat Heavy Electrical Limited**  
**Tiruchirapalli- 620014 .**

Tenders should be free from **CORRECTION AND ERASURES**, Corrections if any, must be attested. All Amounts shall be indicated both in words as well as in figures. Where there is difference between amount quoted in words and figures, amount quoted in words shall prevail.

Offers should be in **ENGLISH** and accompanied by detailed technical literature, catalogue and detailed dimensional drawings in **ENGLISH** or otherwise, the offers will not be considered.

**2.0 OPENING OF TENDERS**

The Part I - Technical & commercial bid alone would be opened on the Tender opening date.

The Part II - Price bid of technically suitable Bidders alone would be opened. The Technically Suitable Bidders would be informed about the tender opening date through e-mail.

Clarifications if any required by BHEL for Technical evaluation **would be** sought from Bidders before opening of Part II - price bid

**For any queries clarifications the bidders may contact us through our FAX NO. +91 431 2520719 or through e-mail <arunachal@bheltry.co.in >&< chells@bheltry.co.in>**

**Annexure For Techno Commercial Bid**

Check List - to be filled and submitted along with Technical Bid

BHEL Commercial Terms and Conditions for Indigenous Supplies	Vendor's Confirmation / Comments
Technical confirmation to BHEL's Specification as called for in BHEL Format shall be furnished. If needed additional sheets shall be used.	
Prices shall be quoted <b>item wise</b> only as per the model format enclosed	
Prices shall be quoted on " <b>FIRM PRICE</b> " basis only The prices should be only on <b>F.O.R / Despatching station</b> basis with <b>Packing &amp; Forwarding</b> charges if any. <b>Applicable % of ED &amp; Sales Tax, Freight &amp; Insurance, Installation &amp; Commissioning Charges should be clearly indicated</b>	
<b>Validity of offer</b> shall be for a minimum period of 120 days from the date of Tender opening	
Delivery period from the date of Letter of Intent / Purchase order shall be clearly mentioned in the offer	
<b>Liquidated damages @ '0.5% per week</b> subject to a maximum of 10% of the order value shall be applicable for delay in deliveries <b>For Details Refer Annexure- v</b>	
<b>Following Risk Purchase clause</b> shall be applicable The purchaser at his option will be entitled to terminate the contract and to purchase elsewhere at the risk and cost of the seller either the whole of the goods or any part which the supplier has failed to deliver or dispatch within the time stipulated or if the same were not available, the best and the nearest available substitute therefore The supplier shall be liable for any loss which the Purchaser may sustain by reason of such risk purchases	
<b>Payment term for supply portion:</b> Payment term is 100% direct payment after 45 days from the date of receipt and acceptance of materials <b>For details Refer Annexure- v</b>	
Erection / commissioning: (if applicable only) Erection / commissioning charges if any has been mentioned in the offer or else confirmation that Erection /commissioning shall be done at free of cost is available in the offer,	
The equipment shall be guaranteed for a period of 12 months from the date of commissioning	
Final inspection and acceptance of equipment will be after installation at BHEL, Trichy	
The vendor shall provide necessary drawings, Test Certificates and Operating Maintenance Manuals etc., as called for in the Technical Specification, in the required number of copies at no extra cost	
Any warranty replacement during warranty period shall be supplied free of charge on FOR BHEL, Trichy basis.	
Offers should be submitted only in <b>sealed cover super-scribing clearly the Enquiry reference and due date.</b>	
% of Excise Duty with cess	
% of TAX (CST/VAT)-(INGST with FORM-17 or CST with C-FORM)	
Packing & Forwarding Charges ( if any in % only)	
Percentage of Freight& transit insurance charges, if any Freight charges from Dispatching station to BHEL, Tiruchirappalli • Supplier should quote for F.O.R-BHEL Trichy Stores.	
As per Commercial terms and conditions, acceptance for participation in Reverse auction (RA).Yes/No to be indicated	
Name of the person for participating reverse auction	
Land Line Number	
Fax Number	
Mobile Number	
E-mail ID	

## NOTE:-

- It is confirmed that all the terms and conditions stipulated in the Enquiry have been fully understood by us and all clarifications & details have been obtained.
- Your offer should be indicating applicable if any P&F Charges, % of ED, Sales Tax -CST or VAT, Service Tax), Freight, Insurance and Installation and Commissioning Charges etc., as per our Price Format
- Your specific acceptance to our Payment terms, LD & Risk Purchase Clause are essential for consideration of your offer. Other wise your offer is liable for rejection.
- No row shall be left blank. Please indicate NA, in case the item is "not applicable"



**Payment Term (Indigenous)**

<b>If materials are receivable at Stores/Trichy <u>without</u> PBG</b>	Payment term is 100% direct payment after 45 days from the date of receipt and acceptance of materials.
<b>If materials are receivable at Stores/Trichy <u>with</u> PBG</b>	Payment term is 100% direct payment after 45 days from the date of receipt and acceptance of materials and against 10% PBG valid for the warranty period.
Any deviation in the above payment term will attract loading as mentioned below. "Base rate of SBI (as applicable on the date of bid opening. Techno-commercial bid opening in case of two part bids) + 6% shall be considered for loading for the period of relaxation sought by bidders.	

Offers of indigenous Suppliers with any other Payment terms will be rejected.

**Liquidated Damages / Penalty -**

The delivery of the goods specified in the purchase order should be made within the time prescribed. LD for delay in 'Supply' and/or 'E&C' will be applicable to the delays attributed to vendor. LD will be considered separately for 'Delivery' and 'E&C'. Where the seller supplies or dispatches the goods, beyond the delivery period Liquidated damages shall be applicable 0.5% of the total order value per week or part thereof subject to a maximum of 10% of the total order value.

**Material Despatched after Due date:** Once the delivery due date is crossed, bills have to be clubbed till final despatch and forwarded for processing of payment as a single bunch. LD percentage will be calculated from Delivery due date to final despatch date.

The rate of LD for delayed E&C shall be @ 0.5% per week of delay of total PO value (Supply + E&C) in E&C subject to a maximum of 10% of total PO value (Supply + E&C).

For staggered delivery schedule, LD shall be 0.5% of the undelivered portion per week of the delay or part thereof subject to a maximum of 10% of the total order value.

Any deviation from the above LD clause, loading will be applied to the extent to which it is not agreed by the bidder (at offered value).

For the purpose of Imposing LD, the FOB delivery (B/L date) shall be considered.

**Guarantee / Warranty Period – (if applicable)**

Normally No deviation permitted and the deviated offers are liable for rejection.

**Ranking-**

BHEL will consider the ranking after the loading is applied as referred above wherever deviations are observed.

**Performance Bank Guarantee – (if applicable)**

Normally No deviation permitted and the deviated offers are liable for rejection.

**Fraud prevention clause:** The bidder along with its associate/collaborator/sub-contractor/sub-vendor/consultants/service providers shall strictly adhere to BHEL fraud prevention policy displayed on BHEL website <http://www.bhel.com> and shall immediately bring to the notice of BHEL management about any fraud or suspected fraud as soon as it comes to their notice.

**NOTE:-**

1. If the due date of tender opening happens to be a holiday, the tenders will be opened on the next working day.
2. BHEL reserves the right to go for a reverse auction (RA) instead of opening the submitted sealed bid which will be decided after technical evaluation. Information and general terms and conditions covering RA are given in commercial terms and conditions.
3. Corrigendum if any, with respect to this tender will be hosted only in the website <http://www.bhel.com> or <http://tenders.gov.in>. You are requested to visit the website regularly for updates.

**Special Provisions for Micro and Small Enterprises (MSE)**

1. 20% of the tendered quantity is earmarked for MSE suppliers in this tender.
2. Out of the 20% tendered quantity reserved for MSE suppliers, 4% shall be earmarked for procurement from MSE owned by SC/ST entrepreneurs.
3. In case MSE vendor participating in the tender quotes within the price band of L1+15%, they will be allowed to supply the portion of the requirement subject to acceptance of L1 price by MSE vendor. In case of more than one such MSE, the supply shall be shared proportionately.
4. "MSE suppliers can avail the intended benefits only if they submit along with the offer, attested copies of either EM II certificate having deemed validity (five years from the date of issue of acknowledgement in EM-II) or valid NSIC certificate or EM II certificate along with attested copy of a CA certificate (Format enclosed at Annexure -VII where deemed validity of EM II certificate of five Years has expired) applicable for the relevant financial year (latest audited). Date to be reckoned for determining the deemed validity will be the date of bid opening (Part 1 in case of two part bid). Non submission of such documents will lead to consideration of their bid at par with other bidders. No benefit shall be applicable for this enquiry if any deficiency in the above required documents are not submitted before price bid opening. If the tender is to be submitted through e-procurement portal, then the above required documents are to be uploaded on the portal. Documents should be notarized or attested by a Gazetted officer."

**Certificate by Chartered Accountant on letter head**

This is to Certify that M/S .....  
(hereinafter referred to as 'company') having its registered office at .....  
is registered under MSMED Act 2006, (Entrepreneur  
Memorandum No (Part-II) ..... dtd:.....,  
Category: ..... (Micro/Small)). (Copy enclosed).

Further verified from the Books of Accounts that the investment of the company as on  
date..... as per MSMED Act 2006 is as follows:

1. **For Manufacturing Enterprises:** Investment in plant and machinery (i.e. original cost  
excluding land and building and the items specified by the Ministry of Small Scale Industries vide its  
notification No.S.O.1722(E) dated October 5, 2006 :  
Rs.....Lacs
2. **For Service Enterprises:** Investment in equipment (original cost excluding land and building and  
furniture, fittings and other items not directly related to the service rendered or as may be notified under the MSMED  
Act, 2006:  
Rs.....Lacs

The above investment of Rs.....Lacs is within permissible limit of  
Rs.....Lacs for .....Micro / Small (Strike off which is not applicable)  
Category under MSMED Act 2006.

Date:

(Signature)

Name -

Membership number -

Seal of Chartered Accountant