



BHARAT HEAVY ELECTRICALS LIMITED

(A Government of India Undertaking)
HIGH PRESSURE BOILER PLANT
PURCHASE DEPARTMENT - FOSSIL BOILERS
THIRUCHIRAPALLI - 620014
TAMILNADU (INDIA)

PHONE :2577331
GRAMS : BHARATELEC
FAX NO: 2520719
E-mail: srchandran@bheltry.co.in
Web:

429-002/A

	Enquiry No 2661500482 - 55	Enquiry Date 06.11.2015	Due Date for Quotation 30.11.2015
<p>Please quote Enquiry No, Date and due date in all correspondences. This is only a request for quotation and not an order. Bid should be submitted in two parts. 1.Techno-commercial bid (Part-I) and 2.Price bid(Part-II) in a separate sealed cover and both covers must be placed in a third cover and sealed. Our Enquiry No., Enq. date & Enq. Due date must be written on all three covers.</p>			

Item	Description	Unit	Quantity	Delivery Quantity	Schedule Date
10	<p>3 JAW SELF CENTERING AIR CHUCK ASSEMBLY AS PER BHEL DRG NO: 2M-10A11-02836</p> <p>THE FOLLOWING GENERAL CONDITIONS ARE APPLICABLE FOR ITEM 10</p> <p>1.MANUFACTURING TEST CERTIFICATE FROM A GOVT. CERTIFIED AGENCY TO BE PROVIDED BY THE SUPPLIER.</p> <p>2.DELIVERY RECOMMENDED/PREFERRED WITHIN 10 WEEKS FROM THE DATE OF RELEASING THE PURCHASE ORDER.BIDDER TO SPECIFY.</p> <p>3.SUPPLIER SHALL QUOTE IN TWO PART BID SYSTEM.</p> <p>VENDOR QUALIFYING CRITERIA.</p> <p>ONLY THOSE VENDORS WHO SATISFY THE FOLLOWING CONDITIONS WILL GET QUALIFIED TO PARTICIPATE IN THE TENDER:</p> <p>1.VENDOR SHOULD HAVE MINIMUM 3 YEARS OF EXPERIENCE IN THIS FIELD.BIDDER TO CONFIRM.</p> <p>2.PREVIOUS PO DETAILS FOR SUPPLYING SIMILAR KIND OF PNEUMATICALLY OPERATED 3 JAW SELF CENTERING CHUCKS OF OUTER DIAMETER NOT LESS THAN 250MM SHOULD BE SUBMITTED ALONG WITH OFFER. OTHERWISE OFFER WILL BE REJECTED.BIDDER TO CONFIRM.</p> <p>3.BHEL RESERVES THE RIGHT TO VISIT THE VENDOR'S WORKS FOR VERIFYING THE MANUFACTURING FACILITIES AND ANY OTHER CREDENTIAL FURNISHED BY THE VENDOR IN CASE THE INFORMATION FURNISHED WITH THE OFFERS FOUND TO BE FALSE /INCORRECT, THE OFFER SHALL BE REJECTED.BIDDER TO CONFIRM.</p>	NO	2.000	2.00	27.01.16

General Note:
GENERAL NOTE:PLEASE SUBMIT YOUR OFFER IN "TWO PART BID SYSTEM" AS PER THE ANNEXURES ENCLOSED.
ENCLOSURES:ANNEXURE II,III,IV,V,VI,VII.

All the tenders may be addressed to the following address:

The offers should reach us 30 minutes before the time of opening of tenders.
The offers will be opened at 14.30 hrs on the due date of tender in the presence of tenderers who have submitted their offer and who may like to be present for the tender opening.Late and delayed offers are liable to be rejected.

VIGILANCE AWARENESS WEEK
26 th OCT to 31st OCT 2015
FOR VIGILANCE RELATED COMPLAINTS,
CONTACT DGM/VIGILANCE & SM/VIGILANCE
PHONE:0431-2577552,2577636

Yours faithfully,
For BHARAT HEAVY ELECTRICALS LIMITED

V. GHELLIAH
MANAGER / PURCHASE
Sr. Manager / ENR
M/RM / CR & SP
BHEL, TRICHY - 620 014.



BHARAT HEAVY ELECTRICALS LIMITED

(A Government of India Undertaking)
HIGH PRESSURE BOILER PLANT
PURCHASE DEPARTMENT - FOSSIL BOILERS
THIRUCHIRAPALLI - 620014
TAMILNADU (INDIA)

Page
2/2

PHONE :2577331
GRAMS : BHARATELEC
FAX NO: 2520719
E-mail: srchandran@bheltry.co.in
Web:

2661500482 / 06.11.2015

23505

The Tender Opening Cell / MM
Room No: 26, Building 24, Ground Floor
Bharat Heavy Electricals Limited
TIRUCHIRAPALLI 620014

In case personal delivery of the offer, it shall be dropped into the respective box kept in Room No: 26, after duly entering the data in the system.

Offers will be accepted only up to 14.00 Hrs on the due date. Therefore, vendors shall ensure to submit the offers well before this time. All due date extension requirements should be addressed to the respective Purchase mail IDs. All the due date extension requests from vendors will be considered only up to 48 hours before the due date and time.

Vendors are requested to avoid submission of offers through e mail / fax. In case of any unavoidable situation, offers shall be sent through e mail to the following mail ID only tender_cell@bheltry.co.in.

As tenders are being opened by Common Tender Opening Cell, offer covers should be sealed with tenderer's distinctive seal and super scribed with correct Tender No. item of supply and due date of opening.

The offers will be opened at 14.30 hrs on the due date of the tender in the presence of tenderers who have submitted their offer and who may like to be present for the tender opening. Late and delayed offers are liable to be rejected.

The bidder along with its associate/ collaborators/ sub-contractors/ sub-vendors/ consultants/ service providers shall strictly adhere to BHEL fraud prevention policy displayed on BHEL website <http://www.bhel.com> and shall immediately bring to the notice of BHEL management about any fraud or suspected fraud as soon as it comes to their notice.

Enclosures:

"LD clause has to be confirmed without fail."

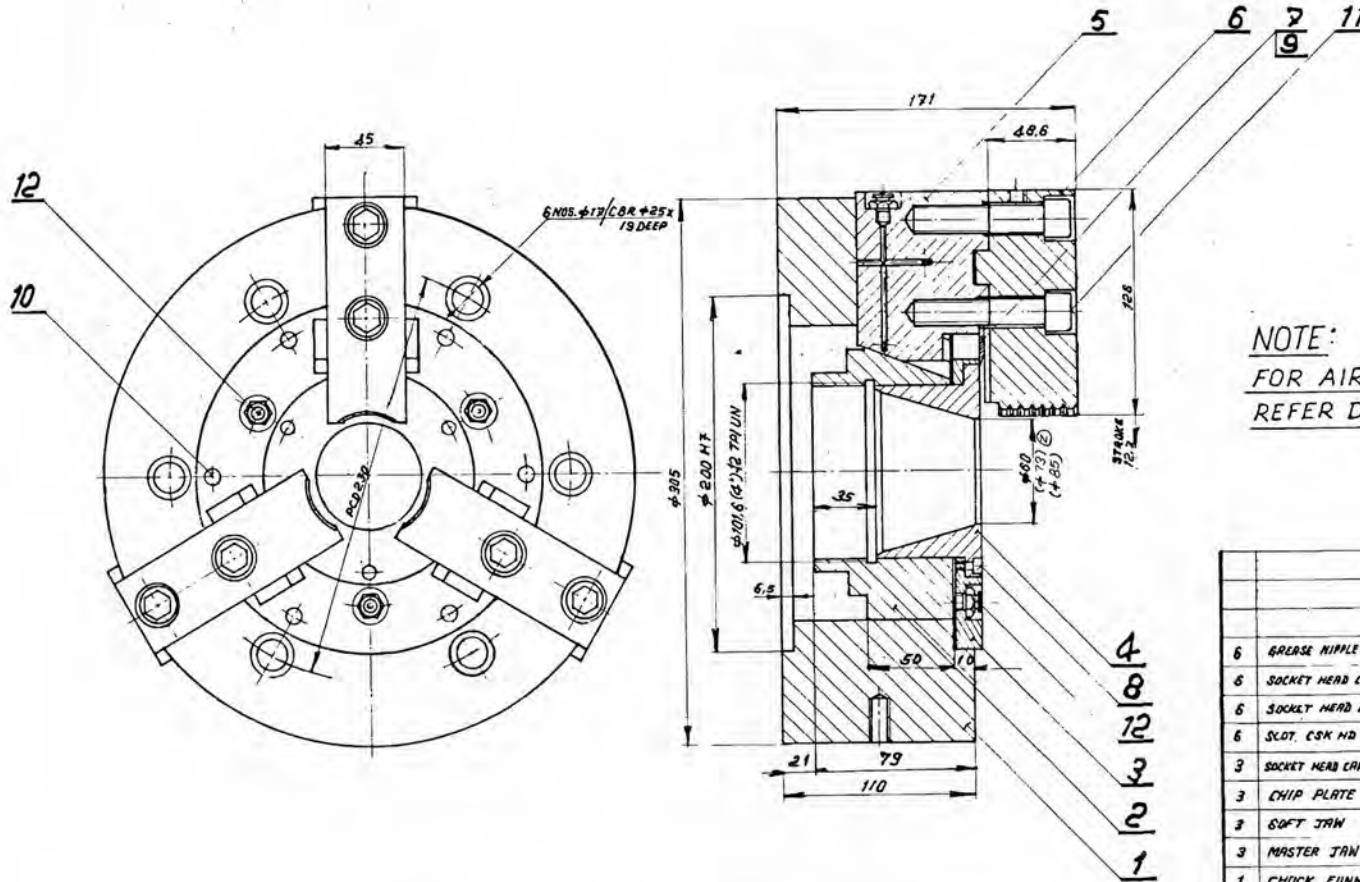
The offers should reach us 30 minutes before the time of opening of tenders.
The offers will be opened at 14.30 hrs on the due date of tender in the presence of tenderers who have submitted their offer and who may like to be present for the tender opening. Late and delayed offers are liable to be rejected.

VIGILANCE AWARENESS WEEK
26 th OCT to 31st OCT 2015
FOR VIGILANCE RELATED COMPLAINTS,
CONTACT DGM/VIGILANCE & SM/VIGILANCE
PHONE:0431-2577552,2577636

Yours faithfully,
For BHARAT HEAVY ELECTRICALS LIMITED


V. CHELLIAH
MANAGER / PURCHASE
(FOSSIL BOILER)
Sr. Manager / Purchase
MM / EM / CP & SP
Yours faithfully,
BHEL TRICHY 620 014.

CAUTION
 THIS DRAWING IS OUR SOLE PROPERTY AND SHOULD NOT BE USED IN ANY FORM FOR ANY OTHER PURPOSE WITHOUT THE WRITTEN PERMISSION OF BHARAT HEAVY ELECTRICALS LTD. VIRUDHACHALAPALLE.

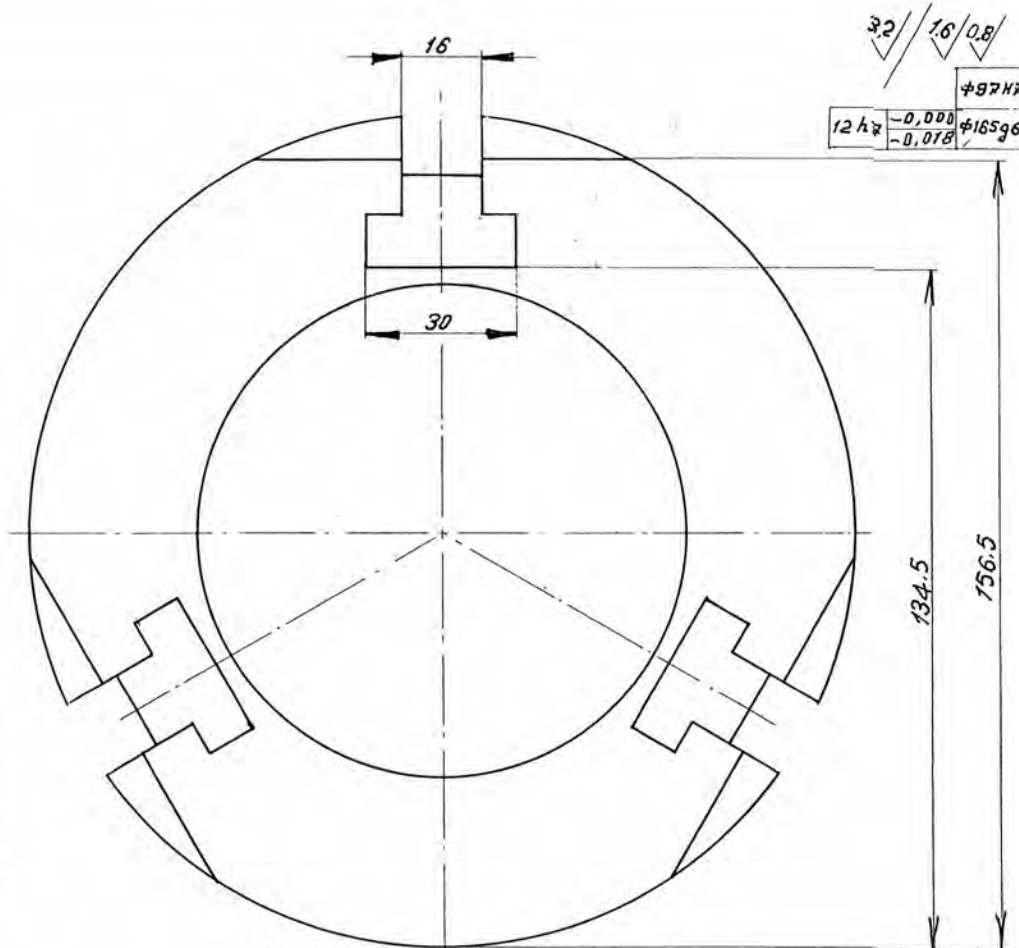
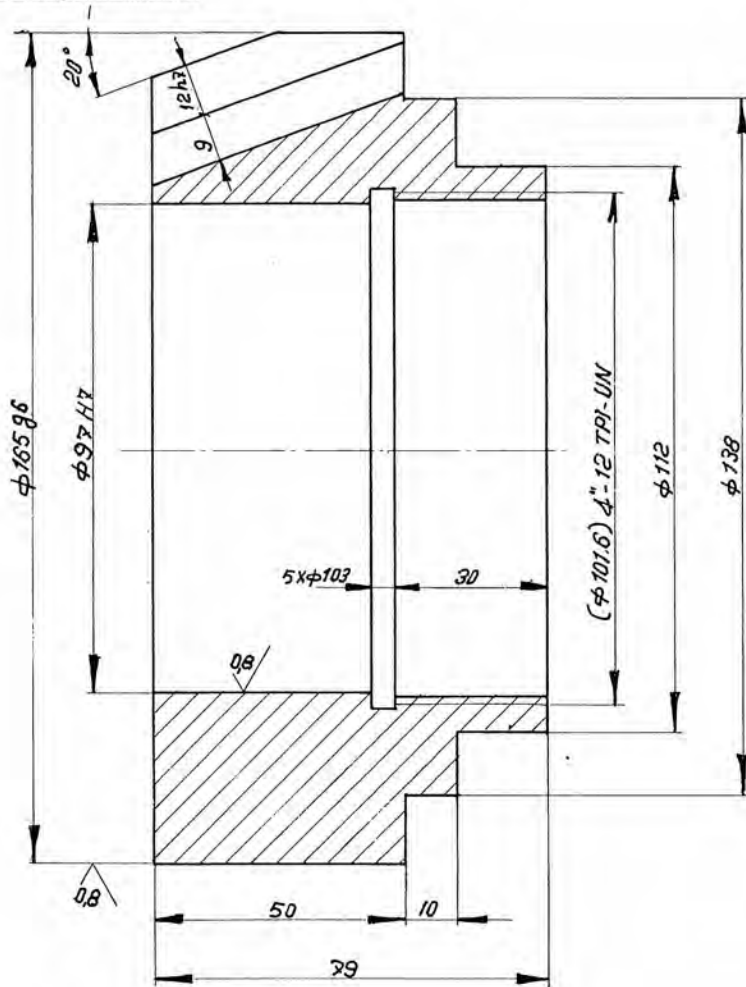


NOTE:
 FOR AIR CYLINDER ASSY.
 REFER DRG. NO. 2-M-10A-2841

QTY	DESCRIPTION	ITEM NO.	UNIT	REMARKS
6	GREASE NIPPLE-M10X1	IS:4009		12
6	SOCKET HEAD CAP SCREW M16X60	IS:2269		11
6	SOCKET HEAD CAP SCREW-M5X15	IS:2268		10
6	SLOT. CSK HD SCR-M6	IS:41205	IS:13225-4.5	9
3	SOCKET HEAD CAP SCREW M4X10	IS:2268		8
3	CHIP PLATE	C-20 IS:2266	FEALONHA IS:12061	0.12 4-M-10A-21099 7
3	SOFT JAW	C-45 IS:2073	45C8 IS:7283	7.08 3-M-10A-9604 6
3	MASTER JAW	45C8 M20 IS:5517	45C8 M20 IS:5517	7.23 3-M-10A-9603 5
1	CHUCK FUNNEL	C-30 IS:2073	30C8 IS:7283	1.60 4-M-10A-21098 4
1	COVER PLATE	C-45 IS:2073	45C8 IS:7283	2.40 4-M-10A-21097 3
1	DRAW RING	45C8 M20 IS:5517	45C8 M20 IS:5517	6.10 3-M-10A-9602 2
1	FACE PLATE	C-45 IS:2073	45C8 IS:7283	25.30 3-M-10A-9601 1
	ASSY			CO.01 1-M-10A-1860 2

NO. OF PIECES	DESCRIPTION	SERIAL PRODUCT	FINAL MATERIAL	INITIAL MATERIAL	FOLLY BODY	NET WT.	GRADING NO.	ITEM NO.
REMARKS								
SCALE		DRAWN		REFERENCE		ALTERATIONS		
1:2		S. J. S.		K. K. Mahapatra		DIMENS. ADDED 3.8.85		
DATE		BY		APPROVED		BY		
30.12.83		S. J. S.		K. K. Mahapatra		BY		
MACHINE		TYPE		DRAWING NO.		SHEET NO.		
STRAIGHT TUBE BUTT WELDER		3TH2		14		2		
TITLE		AIR CHUCK ASSY.		2-M-10A-2836				

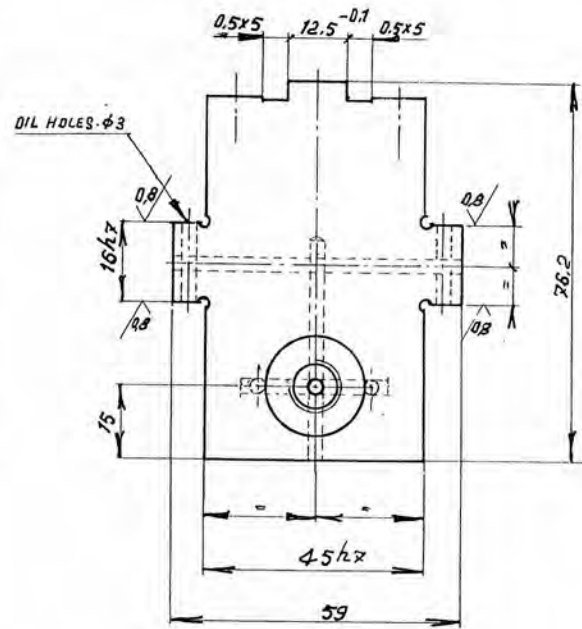
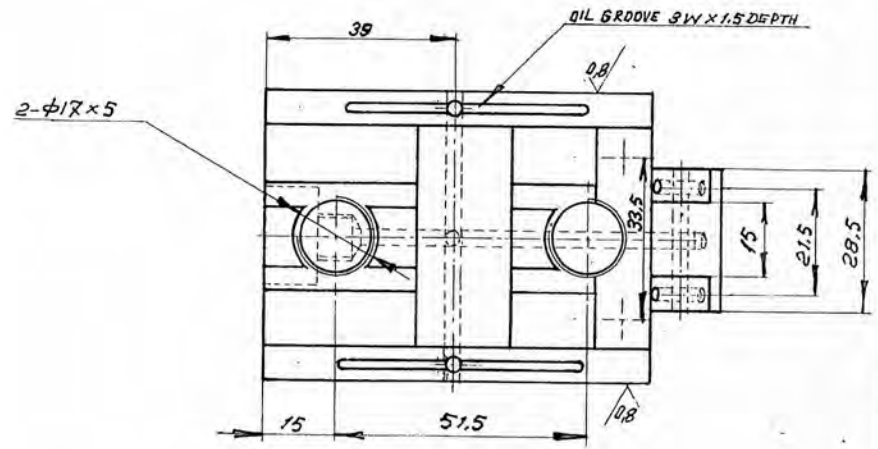
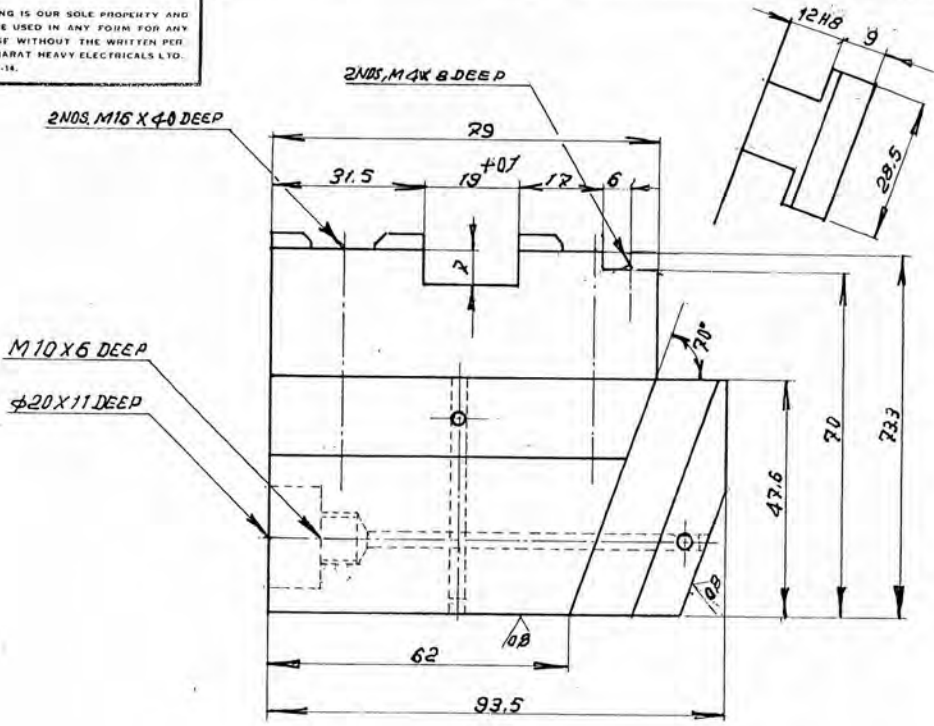
CAUTION
 THIS DRAWING IS OUR SOLE PROPERTY AND SHOULD NOT BE USED IN ANY FORM FOR ANY OTHER PURPOSE WITHOUT THE WRITTEN PERMISSION OF BHARAT HEAVY ELECTRICALS LTD. TIRUCHIRAPALLI-11.



NOTE:
 HARDEN TO HRC 40±2

1			40C1M028 18:5517	42Cr4Mo2 IS:5517	G-16	2-M-10A-2836	2	
NO. OF PIECES	DESCRIPTION	SEMI-PRODUCT	FINAL MATERIAL	SCRAP SORT	NET WT.	GROSS WT.	DRAWING NO.	ITEM NO.
REMARKS				TOTAL NET WT. (KG) 00.00				
SCALE	DRAWN	S. Srinivasan		REFERENCE	ALTERATIONS	DATE	SIGNATURE	INDEX
	CHECKED	K. K. B. Sanyal						
	APPROVED	[Signature]						
	STDS. OFFICER	[Signature]						
	DATE	30-12-82						
MACHINE: STRAIGHT TUBE BUTT WELDER			TYPE: STD					
TITLE: DRAW RING			DRAWING NO. 3-M-10A118682					
NO. OF SHEETS:			SHEET NO.					

CAUTION
 THIS DRAWING IS OUR SOLE PROPERTY AND SHOULD NOT BE USED IN ANY FORM FOR ANY OTHER PURPOSE WITHOUT THE WRITTEN PERMISSION OF BHARAT HEAVY ELECTRICALS LTD. TIRUCHIRAPPALLI-14.



3.2 / 7.6 / 0.8

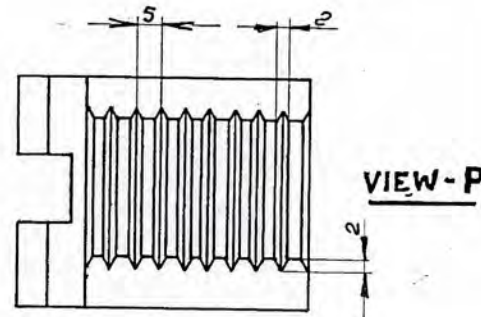
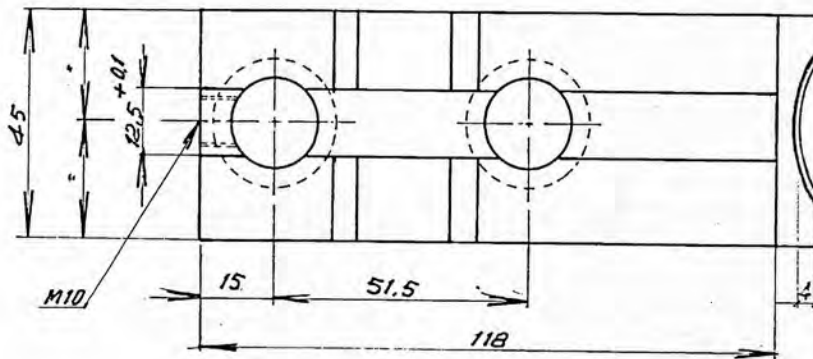
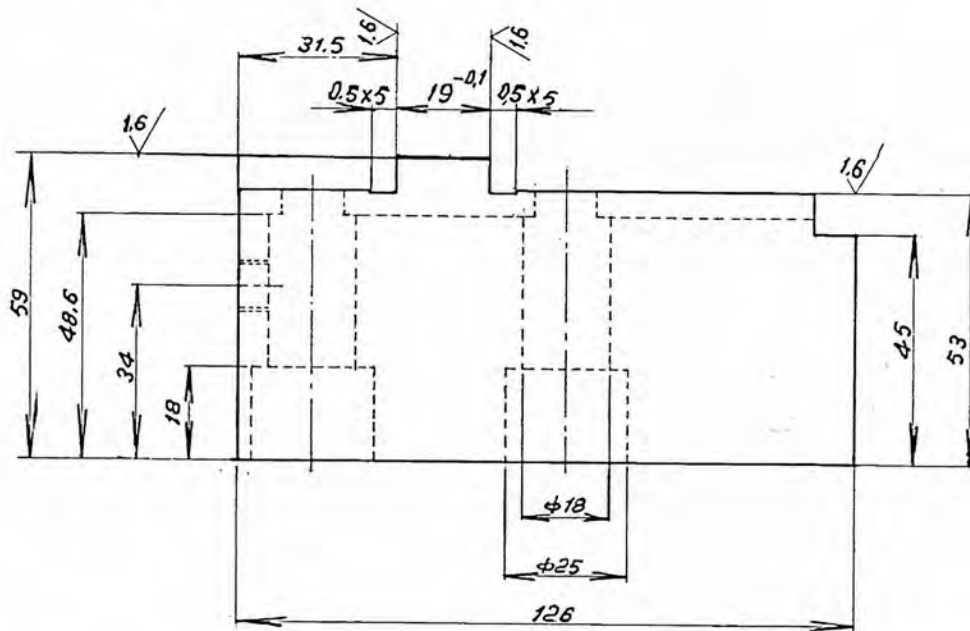
16h7	-0.000
	-0.018
45h7	-0.000
	-0.025
12H8	+0.027
	+0.000

NOTE:
 HARDEN TO HRC 40±2

NO. OF PIECES		DESCRIPTION		SEMI-PRODUCT	FINAL MATERIAL	INITIAL MATERIAL	SCRAP SORT	NET WT	GROSS WT	DRAWING NO.	ITEM NO.
					21Cv1M028 F8:5547	A2 Cr4Mo2 IS:5517				2-M-10A-2836	5
REMARKS											
TOTAL NET WT. (KG) 20.90 EC:11											
SCALE		DRAWN			REFERENCE			ALTERNATIONS			
1:1		J.K. Sankar						DATE SIGNATURE INDEX			
		CHECKED									
		APPROVED									
		SYDS. OFFICER									
		DATE			30-12-82						
MACHINE: STRAIGHT TUBE BUTT WELDER					TYPE: STWD						
TITLE: MASTER JAW					DRAWING NO. 3-M-10A11 8683						
NO. OF SHEETS:					SHEET NO.						

CAUTION
 THIS DRAWING IS OUR SOLE PROPERTY AND SHOULD NOT BE USED IN ANY FORM FOR ANY OTHER PURPOSE WITHOUT THE WRITTEN PERMISSION OF BHARAT HEAVY ELECTRICALS LTD. TIRUCHIRAPALLI-14.

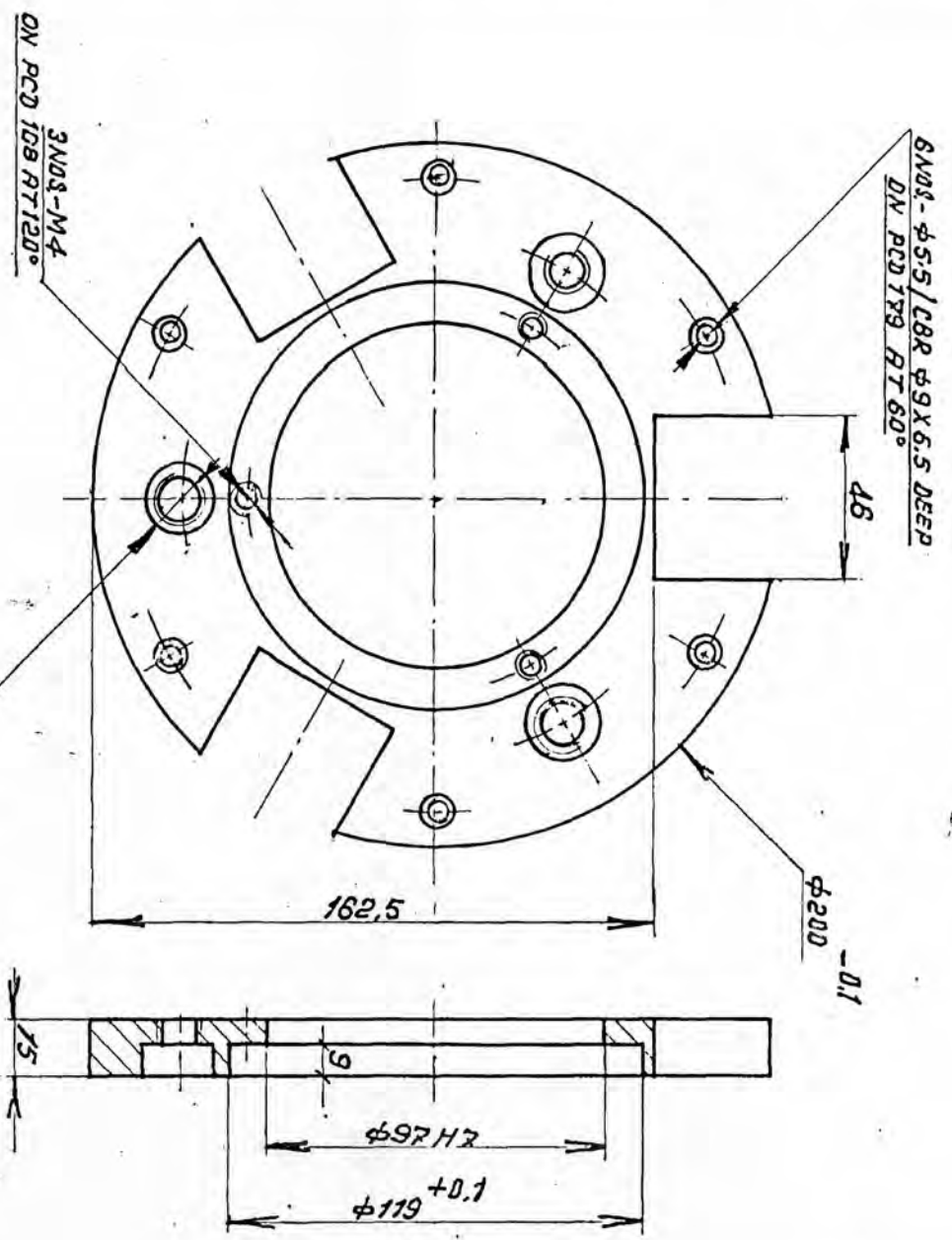
3.2 / 1.6



3			C-45 IS:2073	45CB IS:7283	2.36	2-M-10A-2836	6		
NO. OF PIECES	DESCRIPTION	SEMI-PRODUCT	FINAL MATERIAL	INITIAL MATERIAL	SCRAP GORY	NET WE	GROSS WE	DRAWING NO.	ITEM NO.
REMARKS				TOTAL NET WT. (KG) 22.00 EC:11					
SCALE	DRAWN	Jv. Ojaneh		REFERENCE	ALTERNATIONS				
	CHECKED	K. U. Basny			DATE				
1:1	APPROVED	[Signature]			SIGNATURE				
	STDS OFFICER	[Signature]			INDEX				
	DATE	30-12-82							
MACHINE: STRAIGHT TUBE BUTT WELDER			TYPE: STWD						
TITLE: SOFT JAW			DRAWING NO. 3-M-10A-8684						
NO. OF SHEETS:			SHEET NO.						

CAUTION
 THIS DRAWING IS OUR SOLE PROPERTY AND SHOULD NOT BE USED IN ANY FORM FOR ANY OTHER PURPOSE WITHOUT THE WRITTEN PERMISSION OF
BHARAT HEAVY ELECTRICALS LTD.,
 TIRUCHIRAPALLI-14

32 ✓
 φ97 H7 +0.035
 +0.030



NO. OF PIECES	DESCRIPTION	SEMI-PRODUCT	FINAL MATERIAL	INITIAL MATERIAL	SCRAP SORT	NET W (KG)	GROSS W (KG)	DRAWING NO.	ITEM NO.
			18:20R3	45C8 18:20R3		2.4	2.4	2-M-10A-2836	3
REMARKS									
TOTAL NET W (KG) CC: 32 FC: 11									
ALTERATIONS									
DATE SIGNATURE INDEX									
SCALE									
DRAWN									
CHECKED									
APPROVED									
STDS. OFFICER									
DATE									

1:2

ST. Sankar
 K. H. Babany
 M. Sankar
 30-12-82

MACHINE STRAIGHT TUBE BUTT WELDER

TITLE:

COVER PLATE

TYPE: STWD
 DRAWING NO.

4-M-10A-21097

NO. OF SHEETS

SHEET NO.



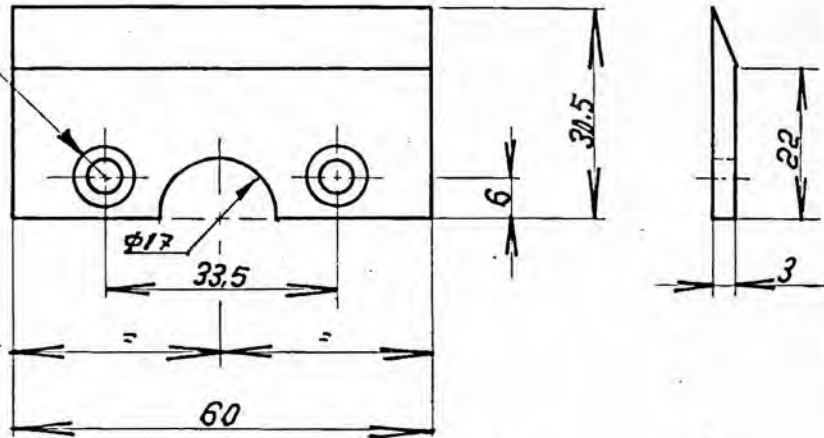
CAUTION

THIS DRAWING IS OUR SOLE PROPERTY AND SHOULD NOT BE USED IN ANY FORM FOR ANY OTHER PURPOSE WITHOUT THE WRITTEN PERMISSION OF
BHARAT HEAVY ELECTRICALS LTD.,
TIRUCHIRAPALLI-14

32/

INDEX No. 39 - 607

2. $\phi 4.5$
 CSK $\phi 8$



3			C-20 IS: 226	Fe 410WA IS: 2062		0.04	2-M-10A-2835 2		
NO. OF PIECES	DESCRIPTION	SEMI-PRODUCT	FINAL MATERIAL	INITIAL MATERIAL	SCRAP SORT	NET Wt(kg)	GROSS Wt(kg)	DRAWING NO.	ITEM NO.
REMARKS					TOTAL NET wt (kg) 00.00 EC: 11				
SCALE 1:1	DRAWN	J. Sankaran.		REFERENCE	ALTERATIONS		DATE	SIGNATURE	INDEX
	CHECKED	K. U. Asamy							
	APPROVED								
	STDS. OFFICER								
	DATE	30-12-82							
	MACHINE STRAIGHT TUBE BUTT WELDER			TYPE: STWD		INV. NO.			
	TITLE: CHIP PLATE			DRAWING NO. 4-M-10A-21099					
					NO. OF SHEETS		SHEET NO.		

CAPITAL PURCHASE
COMMERCIAL TERMS AND CONDITIONS

1.0 QUOTATIONS

The Bidders shall submit the offer in **TWO INNER ENVELOPES** as indicated below which shall be sealed in one outer envelope.

Envelope I This sealed envelope should contain all the copies of technical bid together with un-priced commercial bid & annexure III. This envelope should be clearly marked **'Part I - Technical and commercial bid'**,

Indicating Enquiry No., Due Date and Address & Reference of the Bidder.

Envelope II This sealed envelope should contain **price as per Annexure-IV format**. This envelope should be clearly marked **"Part II - Price bid"**, indicating **Enquiry No., Due Date and Address & Reference of the Bidder**.

Both the envelopes (Part I & II) shall be put in one cover (**Envelope III**), duly sealed, superscribing as Part I and Part II of Enquiry No., due date of opening and the address and reference of the Bidder

The above offer should reach this office on or before the due date by 14.00 hours (IST). Late offers will not be considered.

Tender should not be addressed to any individual's name

The Tender Opening Cell/MM
Room No-26 , Building – 24 , Ground Floor
Bharat Heavy Electrical Limited
Tiruchirapalli- 620014 .

Tenders should be free from **CORRECTION AND ERASURES**, Corrections if any, must be attested. All amounts shall be indicated both in words as well as in figures. Where there is difference between amount quoted in words and figures, amount quoted in words shall prevail.

Offers should be in **ENGLISH** and accompanied by detailed technical literature, catalogue and detailed dimensional drawings in **ENGLISH** or otherwise, the offers will not be considered.

2.0 OPENING OF TENDERS

The Part I - Technical & commercial bid alone would be opened on the Tender opening date.

The Part II - Price bid of technically suitable Bidders alone would be opened. The Technically Suitable Bidders would be informed about the tender opening date through e-mail.

Clarifications if any required by BHEL for Technical evaluation **would be** sought from Bidders before opening of Part II - price bid

For any queries clarifications the bidders may contact us through our FAX NO. +91 431 2520719 or through e-mail <arunachal@bheltry.co.in >&< chells@bheltry.co.in>

Annexure For Techno Commercial Bid

Check List - to be filled and submitted along with Technical Bid

BHEL Commercial Terms and Conditions for Indigenous Supplies	Vendor's Confirmation / Comments
Technical confirmation to BHEL's Specification as called for in BHEL Format shall be furnished. If needed additional sheets shall be used.	
Prices shall be quoted item wise only as per the model format enclosed	
Prices shall be quoted on " FIRM PRICE " basis only The prices should be only on F.O.R / Despatching station basis with Packing & Forwarding charges if any. Applicable % of ED & Sales Tax, Freight & Insurance, Installation & Commissioning Charges should be clearly Indicated	
Validity of offer shall be for a minimum period of 120 days from the date of Tender opening	
Delivery period from the date of Letter of Intent / Purchase order shall be clearly mentioned in the offer	
Liquidated damages @ '0.5% per week subject to a maximum of 10% of the order value shall be applicable for delay in deliveries For Details Refer Annexure- v	
Following Risk Purchase clause shall be applicable The purchaser at his option will be entitled to terminate the contract and to purchase elsewhere at the risk and cost of the seller either the whole of the goods or any part which the supplier has failed to deliver or dispatch within the time stipulated or if the same were not available, the best and the nearest available substitute therefore The supplier shall be liable for any loss which the Purchaser may sustain by reason of such risk purchases	
Payment term for supply portion: Payment term is 100% direct payment after 45 days from the date of receipt and acceptance of materials For details Refer Annexure- v	
Erection / commissioning: (if applicable only) Erection / commissioning charges if any has been mentioned in the offer or else confirmation that Erection /commissioning shall be done at free of cost is available in the offer,	
The equipment shall be guaranteed for a period of 12 months from the date of commissioning	
Final inspection and acceptance of equipment will be after installation at BHEL, Trichy	
The vendor shall provide necessary drawings, Test Certificates and Operating Maintenance Manuals etc., as called for in the Technical Specification, in the required number of copies at no extra cost	
Any warranty replacement during warranty period shall be supplied free of charge on FOR BHEL, Trichy basis.	
Offers should be submitted only in sealed cover super-scribing clearly the Enquiry reference and due date.	
% of Excise Duty with cess	
% of TAX (CST/VAT)-(INGST with FORM-17 or CST with C-FORM)	
Packing & Forwarding Charges (if any in % only)	
Percentage of Freight& transit insurance charges, if any Freight charges from Dispatching station to BHEL, Tiruchirappalli • Supplier should quote for F.O.R-BHEL Trichy Stores.	
As per Commercial terms and conditions, acceptance for participation in Reverse auction (RA).Yes/No to be indicated	
Name of the person for participating reverse auction	
Land Line Number	
Fax Number	
Mobile Number	
E-mail ID	

NOTE:-

- It is confirmed that all the terms and conditions stipulated in the Enquiry have been fully understood by us and all clarifications & details have been obtained.
- Your offer should be indicating applicable If any P&F Charges, % of ED, Sales Tax -CST or VAT, Service Tax), Freight, Insurance and Installation and Commissioning Charges etc., as per our Price Format
- Your specific acceptance to our Payment terms, LD & Risk Purchase Clause are essential for consideration of your offer. Other wise your offer is liable for rejection.
- No row shall be left blank. Please indicate NA, in case the item is "not applicable"

Payment Term (Indigenous)	
If materials are receivable at Stores/Trichy <u>without</u> PBG	Payment term is 100% direct payment after 45 days from the date of receipt and acceptance of materials.
If materials are receivable at Stores/Trichy <u>with</u> PBG	Payment term is 100% direct payment after 45 days from the date of receipt and acceptance of materials and against 10% PBG valid for the warranty period.
Any deviation in the above payment term will attract loading as mentioned below. “Base rate of SBI (as applicable on the date of bid opening. Techno-commercial bid opening in case of two part bids) + 6% shall be considered for loading for the period of relaxation sought by bidders.	

Offers of indigenous Suppliers with any other Payment terms will be rejected.

Liquidated Damages / Penalty -

The delivery of the goods specified in the purchase order should be made within the time prescribed. LD for delay in 'Supply' and/or 'E&C' will be applicable to the delays attributed to vendor. LD will be considered separately for 'Delivery' and 'E&C'. Where the seller supplies or dispatches the goods, beyond the delivery period Liquidated damages shall be applicable 0.5% of the total order value per week or part thereof subject to a maximum of 10% of the total order value.

Material Despatched after Due date: Once the delivery due date is crossed, bills have to be clubbed till final despatch and forwarded for processing of payment as a single bunch. LD percentage will be calculated from Delivery due date to final despatch date.

The rate of LD for delayed E&C shall be @ 0.5% per week of delay of total PO value (Supply + E&C) in E&C subject to a maximum of 10% of total PO value (Supply + E&C).

For staggered delivery schedule, LD shall be 0.5% of the undelivered portion per week of the delay or part thereof subject to a maximum of 10% of the total order value.

Any deviation from the above LD clause, loading will be applied to the extent to which it is not agreed by the bidder (at offered value).

For the purpose of imposing LD, the FOB delivery (B/L date) shall be considered.

Guarantee / Warranty Period – (if applicable)

Normally No deviation permitted and the deviated offers are liable for rejection.

Ranking-

BHEL will consider the ranking after the loading is applied as referred above wherever deviations are observed.

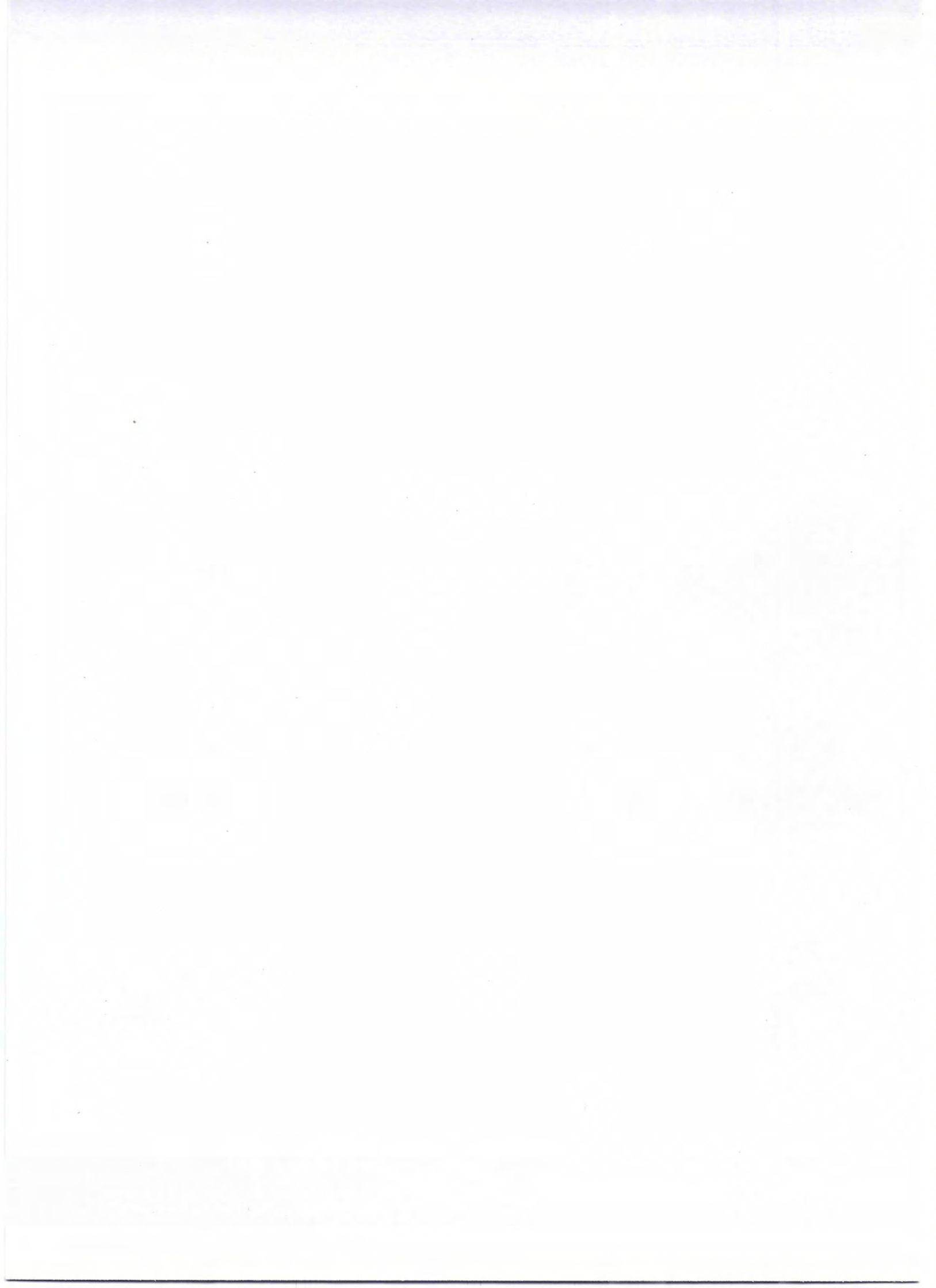
Performance Bank Guarantee – (if applicable)

Normally No deviation permitted and the deviated offers are liable for rejection.

Fraud prevention clause: The bidder along with its associate/collaborator/sub-contractor/sub-vendor/consultants/service providers shall strictly adhere to BHEL fraud prevention policy displayed on BHEL website <http://www.bhel.com> and shall immediately bring to the notice of BHEL management about any fraud or suspected fraud as soon as it comes to their notice.

NOTE:-

1. If the due date of tender opening happens to be a holiday, the tenders will be opened on the next working day.
2. BHEL reserves the right to go for a reverse auction (RA) instead of opening the submitted sealed bid which will be decided after technical evaluation. Information and general terms and conditions covering RA are given in commercial terms and conditions.
3. Corrigendum if any, with respect to this tender will be hosted only in the website <http://www.bhel.com> or <http://tenders.gov.in>. You are requested to visit the website regularly for updates.



Special Provisions for Micro and Small Enterprises (MSE)

1. 20% of the tendered quantity is earmarked for MSE suppliers in this tender.
2. Out of the 20% tendered quantity reserved for MSE suppliers, 4% shall be earmarked for procurement from MSE owned by SC/ST entrepreneurs.
3. In case MSE vendor participating in the tender quotes within the price band of L1+15%, they will be allowed to supply the portion of the requirement subject to acceptance of L1 price by MSE vendor. In case of more than one such MSE, the supply shall be shared proportionately.
4. "MSE suppliers can avail the intended benefits only if they submit along with the offer, attested copies of either EM II certificate having deemed validity (five years from the date of issue of acknowledgement in EM-II) or valid NSIC certificate or EM II certificate along with attested copy of a CA certificate (Format enclosed at Annexure -VII where deemed validity of EM II certificate of five Years has expired) applicable for the relevant financial year (latest audited). Date to be reckoned for determining the deemed validity will be the date of bid opening (Part 1 in case of two part bid). Non submission of such documents will lead to consideration of their bid at par with other bidders. No benefit shall be applicable for this enquiry if any deficiency in the above required documents are not submitted before price bid opening. If the tender is to be submitted through e-procurement portal, then the above required documents are to be uploaded on the portal. Documents should be notarized or attested by a Gazetted officer."

Certificate by Chartered Accountant on letter head

This is to Certify that M/S
(hereinafter referred to as 'company') having its registered office at
..... is registered under MSMED Act 2006, (Entrepreneur
Memorandum No (Part-II) dtd:.....,
Category: (Micro/Small)). (Copy enclosed).

Further verified from the Books of Accounts that the investment of the company as on
date..... as per MSMED Act 2006 is as follows:

1. **For Manufacturing Enterprises:** Investment in plant and machinery (i.e. original cost excluding land and building and the items specified by the Ministry of Small Scale Industries vide its notification No.S.O.1722(E) dated October 5, 2006 :
Rs.....Lacs
2. **For Service Enterprises:** Investment in equipment (original cost excluding land and building and furniture, fittings and other items not directly related to the service rendered or as may be notified under the MSMED Act, 2006:
Rs.....Lacs

The above investment of Rs.....Lacs is within permissible limit of
Rs.....Lacs forMicro / Small (Strike off which is not applicable)
Category under MSMED Act 2006.

Date:

(Signature)

Name -

Membership number -

Seal of Chartered Accountant